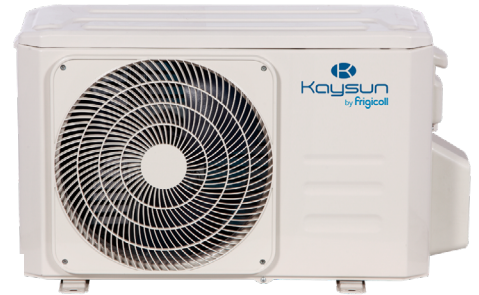


Onnix 2.0

PRODUCT SHEET



KID-05.1 S
Standard controller



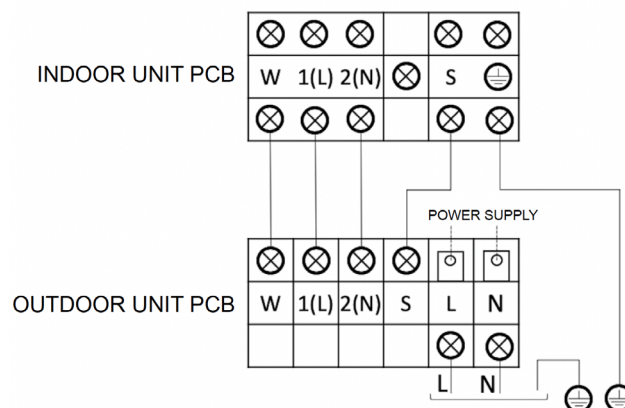
Product certified by:



FEATURES

Model	AKAY-D 26 DR10	AKAY-D 35 DR10	AKAY-D 52 DR10
Cooling capacity	2,64	3,52	5,28
Cooling power input	600	900	1.600
Heating capacity	2,93	3,81	5,57
Heating power input	623	950	1.680
ErP Classification cold/heat	A+++ / A++	A+++ / A++	A+++ / A+
Airflow (indoor)	700 / 515 / 425	700 / 515 / 425	750 / 530 / 430
Sound pressure (indoor)	40 / 32.5 / 21.5	40 / 32.5 / 21.5	41.5 / 36.5 / 33.5 / 19
Airflow (outdoor)	2.200	2.200	2.100
Sound pressure (outdoor)	53.5	53.5	54.5
Power supply	220-240 V / 1 / 50 Hz		
Power wiring (outdoor)	(3+T) x 1,50 mm ²	(3+T) x 1,50 mm ²	(3+T) x 1,50 mm ²
Communication wiring	(4+T) x 2,50 mm ²	(4+T) x 2,50 mm ²	(4+T) x 2,50 mm ²
Refrigerating pipes	Ø1/4" / Ø3/8"	Ø1/4" / Ø3/8"	Ø1/4" / Ø1/2"
Refrigerant charge /	0.7 kg / 0,012 kg/m	0.7 kg / 0,012 kg/m	1,1 kg / 0,012 kg/m
Additional charge	25	25	30
Max. pipe length	10	10	20

WIRING DIAGRAM

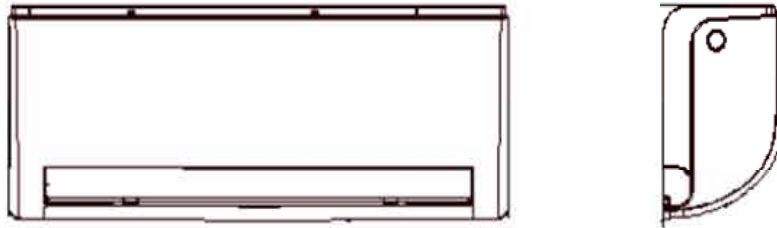


NOTES:

- (1) The data and specifications present in this sheet may vary without notice.
 (2) The images on this sheet are indicative and may be different from the final machine.

DIMENSIONS & WEIGHT OF INDOOR UNIT

Model	Weight	W	H	D
KAY-D 26 DR10	11,30 kg	920 mm	211 mm	321 mm
KAY-D 35 DR10	11,30 kg	920 mm	211 mm	321 mm
KAY-D 52 DR10	11,30 kg	920 mm	211 mm	321 mm



DIMENSIONS & WEIGHT OF OUTDOOR UNIT

Model	Weight	Width	Height	Depth
KAE-S 26 DR9	26.4 kg	765 mm	555 mm	303 mm
KAE-S 35 DR9	26.4 kg	765 mm	555 mm	303 mm
KAE-S 52 DR9	33.5 kg	805 mm	555 mm	303 mm

