

ORIGINAL  
MANUAL



# OWNER'S AND INSTALLATION MANUAL

PRODIGY PRO

**AKAY-P 26 DR10**

KAY-P 26 DR10

KAE-26 DR9

**AKAY-P 35 DR10**

KAY-P 35 DR10

KAE-35 DR9

**AKAY-P 52 DR10**

KAY-P 52 DR10

KAE-P 52 DR9

**AKAY-P 71 DR10**

KAY-P 71 DR10

KAE-P 71 DR9



**IMPORTANT NOTE:**

Read this manual carefully before installing or operating your new air conditioning unit.  
Make sure to save this manual for future reference.

# Table of Contents

Safety Precautions .....04

## Owner's Manual

Unit Specifications and Features.....08

%` ǝXccf`i b]hX]gd`Um".....\$,  
&"CdYfUh]b[ `hYa dYfUhi fY".....\$-  
' "C h\Yf`ZYUhi fYg".....%\$  
( "GYh]b[ `Ub[ `Y`cZU]fZck ".....%%  
) "A Ubi U`cdYfUh]cb`fk ]h\ci hFYa chYŁ".....%%

Care and Maintenance.....12

Troubleshooting.....14



Caution: Risk of fire /  
flammable materials

# Installation Manual

<b>Accessories.....</b>	<b>17</b>
<b>Installation Summary - Indoor Unit .....</b>	<b>18</b>
<b>Unit Parts.....</b>	<b>19</b>
<b>Indoor Unit Installation.....</b>	<b>20</b>
1. Select installation location.....	20
2. Attach mounting plate to wall.....	20
3. Drill wall hole for connective piping.....	21
4. Prepare refrigerant piping.....	22
5. Connect drain hose.....	24
6. Connect signal and power cables.....	25
7. Wrap piping and cables.....	26
8. Mount indoor unit.....	27
<b>Outdoor Unit Installation.....</b>	<b>27</b>
1. Select installation location.....	27
2. Install drain joint.....	28
3. Anchor outdoor unit.....	28
4. Connect signal and power cables.....	30
<b>Refrigerant Piping Connection.....</b>	<b>31</b>
A. Note on Pipe Length.....	31
B. Connection Instructions –Refrigerant Piping.....	31
1. Cut pipe.....	31
2. Remove burrs.....	32
3. Flare pipe ends.....	32
4. Connect pipes.....	32
<b>Air Evacuation.....</b>	<b>34</b>
1. Evacuation Instructions.....	34
2. Note on Adding Refrigerant.....	35
<b>Electrical and Gas Leak Checks.....</b>	<b>36</b>
<b>Test Run.....</b>	<b>37</b>
<b>Packing and unpacking the unit .....</b>	<b>38</b>



**⚠ CAUTION**

H fb'cZZhY Ujf Vt bX]h]cbYf UbX'X]gVtbbYVh hY dck Yf ]Znei UFY bch[ c]b[ 'hc' i gY ]hZcf U'cb[ 'hja Y"  
 H fb'cZZUbX'i bd'i [ 'hY'i b]hXi f]b[ 'ghcfa g"  
 A U\_Y'g fy'hUhk UhYf Vt bXYbgU]h]cb VUb XfU]b'i b\]bXYfYX Zfca 'hY'i b]h"  
**Do not** 'cdYfUhr' hY Ujf Vt bX]h]cbYf'k ]h'k Yh\UbXg' H ]g'a UmVWi gY Y'YVf]Wg\cW"  
**Do not** i gY XYj ]W Zcf UbmichYf'di fdcgY h'Ub ]hg ]bhYbXYX'i gY"  
**Do not** Wja V'cbr'cf'd'UW'cV'YVf]gcb'hd'cZ'hY'ci h'Xccf'i b]h"  
**Do not** U'ck 'hY Ujf Vt bX]h]cbYf'hc'cdYfUhr'Zcf'cb[ 'dYf]cXg'cZ'hja Y'k ]h'Xccfg'cf'k ]bXck g'cdYbž  
 cf ]Z'hY' \i a ]X]m]gj Yfm\ ][ \"

**⚠ ELECTRICAL WARNINGS**

Cb'mi gY'hY'gdYV]UYX'dck Yf Vt fX" Z'hY'dck Yf Vt fX ]g'XUa U] YXZ ]ha i gh'VY'fyd'UWX'Vm'hY'  
 a Ubi ZUMi fYfz ]hg'gyf ]W U] Ybhcf'gja ]Uf'mei U']Z]YX'dYfgcbg]b'cfXYf'hc'Uj'c]X'U'\UnUfX"  
 ?YYd'dck Yf'di [ 'WVUb"FYa cj Y'UbmXi gh'cf [ f]a Y'hUhUWV a i 'UHY'gcb'cf'Ufci bX'hY'di [ "'8]fmm  
 di [ g'VUb'WLi gY Z]fY'cf'Y'YVf]Wg\cW"  
**Do not** di "'dck Yf Vt fX'hc' i bd'i [ i b]h' <c'X'hY'di [ 'Ufa 'mUbX'di "' ]hZfca 'hY'ci hYh'Di "' ]b[  
 X]fYVh'micb'hY'Vt fX'VUb'XUa U] Y ]h'k \ ]W'VUb 'YUX'hc' UfY'cf'Y'YVf]Wg\cW"  
**Do not** a cX]zmhY'Yb[ h'cZ'hY'dck Yf'g' dd'mVt fX'cf'i gY'Ub'Yi hYbg]cb Vt fX'hc' dck Yf'hY'i b]h"  
**Do not** g'UfY'hY'Y'YVf]W'ci hYh'k ]h'ch'Yf'Udd']UbWg" a dfcdYf'cf' ]bg' Z]VYbh'dck Yf'g' dd'm  
 VUb'WLi gY Z]fY'cf'Y'YVf]W'g\cW"  
 hY'dfcXi Vha i gh'VY'dfcdYf'm[ fci bXYX'Uh'hY'hja Y'cZ]bg]U'Uh]cbž'cf'Y'YVf]W'g\cW'a Um'cVW'f'  
 :cf'U'Y'YVf]W'k cf'ž'Z'ck U'cV'UbX'bUh]cbU'k ]f]b[ 'gh'UbXUfXg'z'fy [ i 'Uh]cbg'z'UbX'hY'  
 ðg]U'Uh]cb'A Ubi U"'7cbbYVh'WV'Yg]h[ \h'rz'UbX'WUa d'hYa 'gY'W'fY'mhc'dfy Ybh'Yi hYfbU'Zcf'Wg  
 Zfca 'XUa U] ]b[ 'hY'hYfa ]bU"' a dfcdYf'Y'YVf]W'Vt'bbYVh]cbg'VUb'cj Yf'Y'Uh'UbX'WLi gY Z]fY'z'UbX'a Um  
 Ugc'WLi gY'g\cW"'5'Y'YVf]W'Vt'bbYVh]cbg'a i gh'VY'a UXY'UW'Vt fX]b[ 'hc'hY'9'YVf]W'7cbbYVh]cb  
 8]U] fUa 'cVU'hY'X'cb'hY'd'UbY'g'cZ'hY' ]bXccf'UbX'ci h'Xccf'i b]hg"  
 5"'k ]f]b[ 'a i gh'VY'dfcdYf'mUff'Ub[ YX'hc'Ybg'fy'hUh'hY'Vt'bf'c'VcUfX'Vt'j Yf'VUb'Wc'gY'dfcdYf'mi'ž  
 hY'Vt'bf'c'VcUfX'Vt'j Yf]g'bch'Wc'gY'X'dfcdYf'mi]h'WUb'YUX'hc'Vt'ffcg]cb'UbX'WLi gY'hY'Vt'bbYVh]cb  
 dc]bh'g]cb'hY'hYfa ]bU'hc'\YUhi dž'WU'hX'Z]fY'z'cf'WLi gY'Y'YVf]W'g\cW"  
 Z'Vt'bbYVh]b[ 'dck Yf'hc'Z] YX'k ]f]b[ ž'Ub'U'dc'Y'X]g'Vt'bbYVh]cb'XYj ]W'k \ ]W'Ug'Uh'YUgh' a a  
 WUf'UbWg]b'U'dc'Yg'z'UbX'\Uj'Y'U'YU\_U] Y'W'ffYbh'hUha Um'Yi WYX'%'\$a 5ž'hY'fyg]Xi U'W'ffYbh  
 XYj ]W'f'78E\Uj ]b[ 'U'fU'hY'X'fyg]Xi U'cdYf'U]b[ 'W'ffYbh'ic'hYi WYX]b[ ' '\$a 5ž'UbX'X]g'Vt'bbYVh]cb  
 a i gh'VY' ]b'Vt'fcd'fU'hY'X' ]b'hY'Z] YX'k ]f]b[ ' ]b'UW'Vt fX'UbW'k ]h'hY'k ]f]b[ 'fi 'Yg'

**TAKE NOTE OF FUSE SPECIFICATIONS**

H'Y'Ujf Vt bX]h]cbYf'g]Vf'W'h'VcUfX'fD7 6E]g'XYg] bYX'k ]h'U'Zi gY'hc'dfcj ]XY'cj Yf'W'ffYbh'dfch'Vh]cb"  
 H'Y'gdYV]UW]h]cbg'cZ'hY'Zi gY'UFY'df]bh'X'cb'hY'Vf'W'h'VcUfX'ž'g'V'Ug.'  
 H "%) 5@&) \$J 57ž'H) 5@&) \$J 57ž'H "%) 5#&) \$J 57ž'H) 5#&) \$J 57ž'H&\$5#&) \$J 57ž'H \$5#&) \$J 57ž'HW'  
**NOTE:** :cf'hY'i b]hg]i g]b[ 'F' & fYZ] [ Yf'Ubh'ž'cb'm'hY'V'Ug]h'dfcc'Z'W'fUa ]W]i gY'VUb'VY'i gYX"

**UV-C lamp(Applicable to the unit contains an UV-C lamp only)**

H'g]Udd']UbW'Vt'bh]bg]U'i J!7 'Ua d'"FYUX'hY'a U]bh'Y'UbW' ]bg]fi V]cbg'VY'ZcfY'cdYb]b[ 'hY'Udd']UbW"  
 %" 8c'bch'cdYf'U'Y' J!7 'Ua dg'ci hg]XY'cZ'hY'Udd']UbW"  
 &" 5dd']UbW'g'h'Uh'UfY'c'Vj ]ci g'm'XUa U] YX'a i gh'ic'h'VY'cdYf'U'hY'X"  
 ' " I b]bh'Y'XYX'i gY'cZ'hY'Udd']UbW'cf'XUa U] Y'hc'hY'\ci g]b[ 'a Um'fYg' 'h]b'hY'Yg'Wd'Y'cZ'X'Ub[ Yf'ci g]i J!7  
 fUX]h]cb" I J!7 fUX]h]cb'a Uh'z'Yj Yb ]b'ga U'Xcg'g'z'WLi gY'\Ufa 'hc'hY'Ym'Yg'UbX'g.]b"

(" 6YZcfY'cdYb]b[ 'XccfgUbX UWWgg'dUbY'gVYUf]b[ 'h'Y'I @F5J €@HF58-5H€B \UnUfX'gna Vc`  
Zcf'h'Y'Ve'bXi Vh]b[ 'I G9F 'A 5-BH9B5B79ž'h]g'fYVta a YbXYX'hc 'X]gVtbbYVh'h'Y'dck Yf"  
)" H'Y'I J!7 'Ua d'Wlb' bchVY'WYUbyXž'fYdU]fYX'UbX'fYd'UWX"  
\*" I J!7 '65FF-9FG'VYUf]b[ 'h'Y'I @F5J €@HF58-5H€B \UnUfX'gna Vc`g'ci 'X'bchVY'fYa cj YX"

**⚠ WARNING** H'g'Udd']UbW'Ve'bH]bg'Ub'I J 'Ya ]h'Yf"8c' bch'gUfY'Uh'h'Y'"][ \h'gci fW"

**⚠ WARNINGS FOR PRODUCT INSTALLATION**

- % " ągU`Uh]cb`a i ghVY`dYfZcfa YX`VmU`b`Ui h`cf]nYX`XYU`Yf`cf`gdYV]U]gh`8YZVW]Y`]bgU`Uh]cb`Wlb`  
Wli gY`k UHYf`YU`U[ Yž`Y`YVW]W`g`cW`ž`cf`Z]fY"
- &" ągU`Uh]cb`a i ghVY`dYfZcfa YX`UW`fX]b[ 'hc`h'Y`]bgU`Uh]cb`]bgfi W]cbg`'a dfcdYf`]bgU`Uh]cb`  
Wlb`Wli gY`k UHYf`YU`U[ Yž`Y`YVW]W`g`cW`ž`cf`Z]fY"  
(`Bcfh`'5a Yf]W]z]bgU`Uh]cb`a i ghVY`dYfZcfa YX`]b`UW`fX`UbW`k ]h`h'Y`fYei ]fYa YbhicZB97`  
UbX`797`VmU`h`cf]nYX`dYfgcbbY`'cb`mŁ
- ' " 7cbhU`h`Ub`Ui`h`cf]nYX`gYfj ]W`h'V`b]M]Ub`Zcf`fYdU]f`cf`a`U]bhY`b`UbW`'cZ`h`]gi`b]h`'H`]g`Udd`']UbW`  
g`U`'VY`]bgU`YX`]b`UW`fX`UbW`k ]h`'b`Uh]cb`U`'k`]f]b[ 'fY[ i`'Uh]cbg'
- (" Cb`mi`gY`h'Y`]bW`XYX`UW`V`gg`cf]Ygž`dUfngž`UbX`gdYV]Z]YX`dUfng`Zcf`]bgU`Uh]cb`"I`g]b[ 'bcb!g`UbX`UfX`  
dUfng`Wlb`Wli`gY`k`UHYf`YU`U[`Yž`Y`YVW]W`g`cW`ž`Z]fYž`UbX`Wlb`Wli`gY`h'Y`i`b]h'hc`ZU]"
- )" ągU`h'Y`i`b]h]b`U`Z]fa`'c`W]h]cb`h`Uh`Wlb`g`ddcfh`h'Y`i`b]h]k`Y][ \h`'Z`h'Y`W`cgrb`'c`W]h]cb`Wlb`bch`  
g`ddcfh`h'Y`i`b]h]k`Y][ \h`ž`cf`h'Y`]bgU`Uh]cb`]g`bch`XcbY`dfcdYf`n`h'Y`i`b]h]a`UmX`fcd`UbX`Wli`gY`  
gYf]ci`g]b`f`fm`UbX`X`Ua`U[`Y"
- \*" ągU`X`fU]bU[`Y`d]d]b[ 'UW`fX]b[ 'hc`h'Y`]bgfi W]cbg`]b`h`]g`a`Ubi`U`'a`dfcdYf`X`fU]bU[`Y`a`Um`  
Wli`gY`k`UHYf`X`Ua`U[`Y`hc`nci`f`ca`Y`UbX`dfcdYf`mŁ
- +" :`cf`i`b]h]g`h`Uh`Uj`Y`Ub`'Ui`I`]UfmY`VW]W`Y`UHYfž`**do not**]bgU`h'Y`i`b]h]k`]h]b`%`a`YHYf`fl`Z`YfŁ`cZ`  
UbmVta`Vi`gh]V`Y`a`UHYf]Ug'
- , " **Do not**]bgU`h'Y`i`b]h]b`U`'c`W]h]cb`h`Uh]a`UmVY`YI`dcgYX`hc`Vta`Vi`gh]V`Y`[`Ug`YU`g`'Z`  
Vta`Vi`gh]V`Y`[`Ug`UW`a`i`UHYg`Ufci`bX`h'Y`i`b]h]ž`]h]a`UmWli`gY`Z]fY"
- " "8c`bch`h`fb`cb`h'Y`dck`Yf`i`bh]`U`'k`cf`\_`Ug`VYYb`Vta`d`YHYX"
- %"\$`K` \Yb`a`cj`b[ 'cf`fY`c`W]h]b[ 'h'Y`U]f`Vt`bX]h]cb`Yfž`Vt`bg`'h'YI`dYf]Yb`W`X`gYfj ]W`h'V`b]M]Ubg`Zcf`  
X]gVtbbYVh]cb`UbX`fY]bgU`Uh]cb`cZ`h'Y`i`b]h'
- %"<`ck`'hc`]bgU`h'Y`Udd`]UbW`hc`]hg]g`ddcfhž`d`YUgY`fYUX`h'Y`]bZcfa`Uh]cb`Zcf`XYhU]g]b`" ]bXccf`i`b]h`  
]bgU`Uh]cb`'UbX`'ci`hXccf`i`b]h]bgU`Uh]cb`'gYW]cbg"

**Note about Fluorinated Gases**

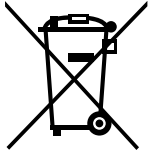
- % " H'g]U]f]Vt`bX]h]cb]b[ 'i`b]hVt`bH]bg`Ui`cf]b`UhYX`[`fYyb`l`ci`gY`[`UggYg`':`cf`gdYV]Z]W]bZcfa`Uh]cb`cb`h'Y`  
h`m`Y`cZ`[`Ug`UbX`h'Y`Ua`ci`bhž`d`YUgY`fYZf`hc`h'Y`fY`Y]`Ubh`U`VY`'cb`h'Y`i`b]h]hgY`Zcf`h'Y`  
Í`C`k`bYfř]A`Ubi`U`!`DfcXi`Vh:]W`Y`Í`]b`h'Y`d`U`U`[`]b[ 'cZ`h'Y`ci`hXccf`i`b]h`f`f`i`fcdYUb`  
I`b]cb`dfcXi`Vh]g`cb`nŁ"
- &" ągU`Uh]cbž`gYfj ]Wž`a`U]bhY`b`UbW`UbX`fYdU]f`cZ`h`]gi`b]h]a`i`ghVY`dYfZcfa`YX`VmU`W`fh]U`YX`  
h'V`b]M]Ub"
- ' " DfcXi`Vh]i`b]bgU`Uh]cb`UbX`fYVW]b[ 'a`i`ghVY`dYfZcfa`YX`VmU`W`fh]U`YX`h'V`b]M]Ub"
- (" :`cf`Yei`]da`Ybh`h`Uh`Vt`bH]bg`Zi`cf]b`UhYX`[`fYyb`l`ci`gY`[`UgYg]b`ei`Ub]h]Yg`cZ)`'hc`bbYg`cZ`7`C`&`  
Yei`]j`UYbhcf`a`cfYž`Vi`h`cZ`Ygg`h`Ub`)'`\$`hc`bbYg`cZ`7`C`&`Yei`]j`UYbhž`Z`h'Y`g`n`ghYa`'\`Ug`U`YU`!`  
XYhVh]cb`g`n`ghYa`]bgU`YXž`]h]a`i`ghVY`W`Y`W`YX`Zcf`YU`g`Uh`YUgh]Yj`Yfm`&(`'a`cb`h`g`"
- )" K` \Yb`h'Y`i`b]h]g`W`Y`W`YX`Zcf`YU`gž`dfcdYf`fYVt`fX!`\_`Y`Yd]b[ 'cZ`U`'W`Y`W`g]g`g`f`cb[ 'mfYVta`a`Yb`XYX"

**! WARNING for Using R32 Refrigerant**

- K \Yb'ZUa a UV'Y'fYZf] YfUbh'UFY'Ya d'cmYXž'Udd']UbW'g\U''VY'gnc'fYX'Jb'U'k'Y''!j'Ybh']UH'YX'UFYU' k \YfY'h'Y'fcc'a' gny'V'ffYgdc'bXg'h'c'h'Y'fcc'a' UFYU'Ug'gd'YWZ]YWZcf'cd'YfU'h'cb" :cf'F' & Zf] YfUbh'a cXY'g
- 5dd']UbW'g\U''VY'Jb'g'U''YXž'cd'YfU'h'YX'Ub'X'gnc'fYX'Jb'U'fcc'a' k'Jh'U'Zcc'f'UFYU''Uf] Yf'h'Ub' (a' &''
- FYi'g'U'V'Y'a' YW'Ub]W'V'bb'YV'c'fg'Ub'X'Z'UFYX'c'c']bh'g'UFY'bh'U'ck'YX'Jb'Xcc'fg'" fEN'Gh'Ub'X'U'F'X'F'Ye'i'Jf'Ya'Ybh'g'."
- A'YW'Ub]W'V'bb'YV'c'fg'i'g'YX'Jb'Xcc'fg'g\U''\Uj'Y'U'f'U'h'Y'c'Z'b'c'h'a'c'f'Y'h'Ub''[#Y'U'f'U'h'&)'i' c'Z'h'Y'a'U'l'Ja'i'a'U'ck'UV'Y'd'f'Y'gg'i'f'Y''K \Yb'a'YW'Ub]W'V'bb'YV'c'fg'UFY'f'Y'i'g'YX'Jb'Xcc'fg'ž' g'YU']b[ 'd'U'f'h'g'g\U''VY'f'Y'b'Yk'YX''K \Yb'Z'UFYX'c'c']bh'g'UFY'f'Y'i'g'YX'Jb'Xcc'fg'ž'h'Y'Z'UFY'd'U'f'h' g\U''VY'f'Y'i'Z'U'f'f]W'h'YX'' fUL'Gh'Ub'X'U'F'X'F'Ye'i'Jf'Ya'Ybh'g'."
- K \Yb'a'YW'Ub]W'V'bb'YV'c'fg'UFY'f'Y'i'g'YX'Jb'Xcc'fg'ž'g'YU']b[ 'd'U'f'h'g'g\U''VY'f'Y'b'Yk'YX''K \Yb' Z'UFYX'c'c']bh'g'UFY'f'Y'i'g'YX'Jb'Xcc'fg'ž'h'Y'Z'UFY'd'U'f'h'g\U''VY'f'Y'i'Z'U'f'f]W'h'YX'' fIEC'Gh'Ub'X'U'F'X'F'Ye'i'Jf'Ya'Ybh'g'."
- A'YW'Ub]W'V'bb'YV'c'fg'i'g'YX'Jb'Xcc'fg'g\U''V'a'd'm'k'Jh'€'-%(-'-\$' "

**European Disposal Guidelines**

*This marking shown on the product or its literature, indicates that waste electrical and eletrical equipment should not be mixed with general household waste.*



**Correct Disposal of This Product  
(Waste Electrical & Electronic Equipment)**



H\g'Udd']UbW'V'bb'U]b'g'f'YZf] YfUbh'Ub'X'c'h'Y'f'd'c'h'Y'bh]U'm'Un'U'f'X'ci'g'a'U'h'f]U'g'K \Yb'X]g'd'c'g]b[ 'c'Z' h\g'Udd']UbW'ž'h'Y'U'k' f'Ye'i'Jf'Y'g'gd'Y'W]U'V'c''Y'V'h'c'b'Ub'X'h'f'Y'U'a'Ybh' **Do not** X]g'd'c'g'Y'c'Z'h\g'd'f'c'X'i'V'h'U'g' \ci'g'V'c'X'k'U'g'h'Y'c'f'i'bg'c'f'h'Y'X'a'i'b]V'd'U'k'U'g'h''

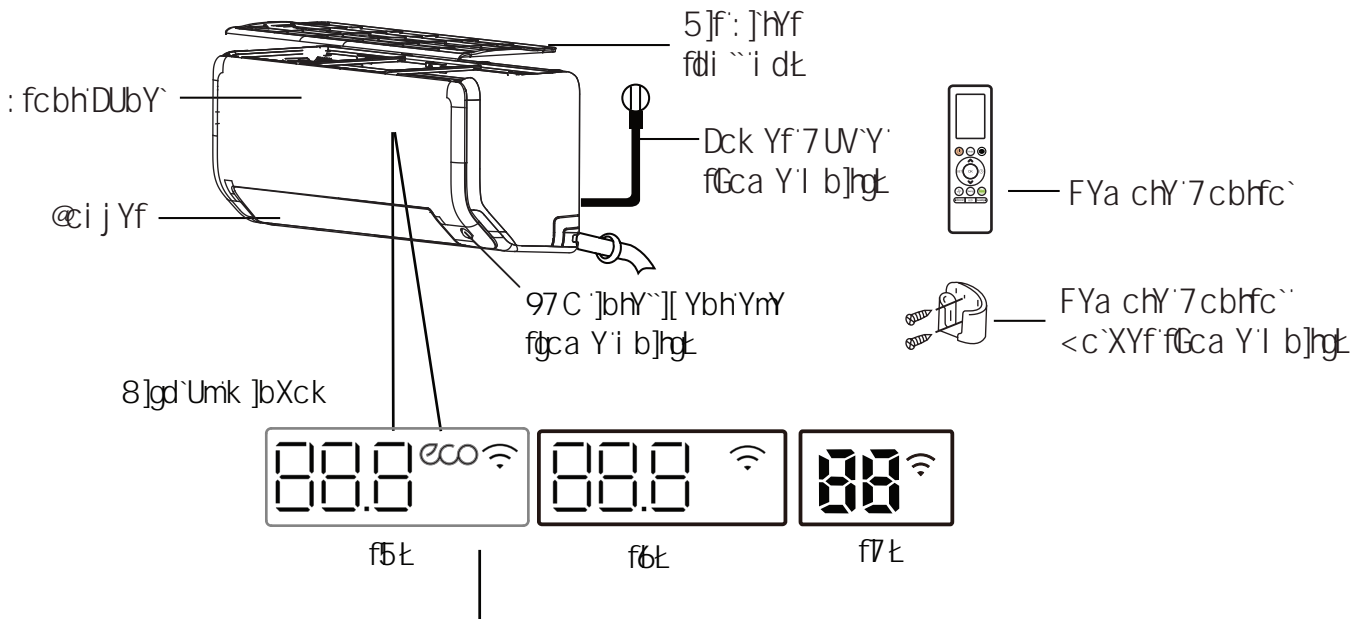
- K \Yb'X]g'd'c'g]b[ 'c'Z'h\g'Udd']UbW'ž'nc'i' \Uj'Y'h'Y'Z'c''ck'Jb[ 'c'd'h]c'bg
- 8]g'd'c'g'Y'c'Z'h'Y'Udd']UbW'U'h'X'Y'g] b'U'h'Y'X'a'i'b]V'd'U'Y'Y'V'f'c'b]M'k'U'g'h'Y'V'c''Y'V'h'c'b'Z'U'W]h'm'h
  - K \Yb'Vi' n]b[ 'U'b'Y'k'Udd']UbW'ž'h'Y'f'Y'U]Y'f'k'J' h'U'Y'V'U'W' h'Y'c'X'Udd']UbW'Z'F'Y'c'Z'V'U'f]Y''
  - H'Y'a'U'bi'Z'U'W'i'f'Y'f'k'J' h'U'Y'V'U'W' h'Y'c'X'Udd']UbW'Z'F'Y'c'Z'V'U'f]Y''
  - G'Y''h'Y'Udd']UbW'h'c'W'f'h]Z]Y'X'g'W'U'd'a'Y'U'X'Y'U'Y'f'g'

**Special notice**

8]g'd'c'g]b[ 'c'Z'h\g'Udd']UbW'Jb'h'Y'Z'c'f'Y'g'h'c'f'c'h'Y'f'b'U'h'f'U'g'f'f'c'i'b'X]b[ g'Y'b'X'U'b[ Y'f'g'nc'i'f'\Y'U'h'Ub'X'J'g' V'U'X'Z'c'f'h'Y'Y'bj'J'f'c'ba'Y'bh'<Un'U'f'X'ci'g'g'V'g'U'b'W'g'a'U'm'Y'U'\_]b'h'c'h'Y'[f'c'i'b'X'k'U'h'f'U'b'X'Y'bh'f'h'Y'Z'c'c'X' V'U'J'b''

# Unit Specifications and Features

## Indoor unit display



" 88.8 " "88" Displays temperature, operation feature and Error codes:

" 01 " for 3 seconds when:

- TIMER ON is set (if the unit is OFF, " 01 " remains on when TIMER ON is set )
- FRESH , UV-C lamp, SWING, TURBO , ECO, BREEZE AWAY, ECO INTELLIGENT EYE or SILENCE feature is turned on

" 0F " for 3 seconds when:

- TIMER OFF is set
- FRESH , UV-C lamp, SWING, TURBO , ECO, BREEZE AWAY, ECO INTELLIGENT EYE or SILENCE feature is turned off

" dF " when defrosting(for cooling & heating units)

" CL " when Active Clean feature is turned on(For Inverter split type )  
when the Self clean feature is turned on (For fixed-speed type)

" FP " when 8Š7` heating mode is turned on(some units)

" ECO " when ECO feature is activated(some units)

"  " when wireless control feature is activated(some units)

### Display Code Meanings

**NOTE:** 8]ZYfYbh'a cXY`g`Uj`Y`X]ZYfYbh`fcbhdUby`Ubx`X]gd`Umik ]bXck "BchU`h`Y`]bX]Wlrcfg`XYgW]V]b[ `VY`ck `UFY`Uj`U]UV`Y`Zcf`h`Y`U]f`VŁbX]cbYf`mci`di`fW`UgyX"D`YUgy`W`Y`W`h`Y`]bXccf`X]gd`Umik ]bXck`cZ`h`Y`i`b]h`mci`di`fW`UgyX"

Èi`ghU]cbg]b`h`]g`a`Ubi`U`UFY`Zcf`Yi`d`UbUlc`f`m`di`f`dc`g`Y`g`h`Y`U`M`U`g`Ud`Y`c`Z`mci`f`]bXccf`i`b]h`a`UmVY`g][`h`m`X]ZYfYbh`h`Y`U`M`U`g`Ud`Y`g`U`d`f`Y`U]"



## Operating temperature

K \Yb'mci f'UJf'Vt'bx]h]cbYf' ]gi gYX'ci hg]XY'cZ'hY'Zc`ck ]b[ 'hYa dYfUhi fY'fUb[ Ygž'WfU]b'gJZYfm dfchVW]cb'ZYUhi fY'ga UmUW]j UH'Y'UbX'Wli gY'h'Y'i b]h'c'X]gUV'Y"

## Inverter Split Type

	COOL mode	HEAT mode	DRY mode	<b>FOR OUTDOOR UNITS WITH BASEPAN HEATER OR CRANKCASE HEATER</b> K \Yb'ci hg]XY'hYa dYfUhi fY' ]g]VY'ck '\$s7žk Y'ghfcb[ 'm fYVt'a a YbX'_YYd]b[ 'h'Y' i b]h'd'i [ [ YX' ]b'UhU'h]a Y' hc'Ybgj fY'ga cch'cb[ c]b[ 'dYfZcfa UbW'"
Fcca 'Hya dYfUhi fY	%+s7!' &s7	\$s7!' \$s7	%(s7!' &s7	
Ci hXccf' Hya dYfUhi fY	\$s7!' ) \$s7	!% s7!' &( s7'	\$s7!' ) \$s7	
	!% s7!' ) \$s7 flcf'a cXY'gk ]h' 'ck 'hYa d''Vt'c']b[ gng]Ya g't			
	\$s7!' ) &s7 flcf'gdYV]U' hfcd]W]a cXY'g'		\$s7!' ) &s7 flcf'gdYV]U' hfcd]W]a cXY'g'	

## Fixed-speed Type

	COOL mode	HEAT mode	DRY mode
Fcca 'Hya dYfUhi fY	%+s7!' &s7'	'\$s7!' \$s7	%(s7!' &s7'
Ci hXccf' Hya dYfUhi fY	% s7!' (' s7'	!+s7!'&( s7'	'%(s7!' (' s7''
	!+s7!' (' s7' flcf'a cXY'gk ]h' 'ck !hYa d'Vt'c']b[ 'gng]Ya g'		% s7!' (' s7'
	% s7!' ) &s7' flcf'gdYV]U' hfcd]W]a cXY'g'		% s7!' ) &s7' flcf'gdYV]U' hfcd]W]a cXY'g'

**NOTE:** Fcca 'fY'Uh] Y'\i a ]X]m'Ygg'h'Ub', \$i "'Z'h'Y'UJf'Vt'bx]h]cbYf'cdYfUhi'g]b'YI Wgg'cZ'h'g] Z]i fYž'h'Y'g] fZUW'cZ'h'Y'UJf'Vt'bx]h]cbYf'a UmUhfUM]i'Vt'bxYbgU]h]cb'"DYUgY'gYhg'h'Y'j Yfh]W]UJf'Zck`ci j Yf'hc']hg'a Ul ]a i a 'Ub[ 'Y'f] Yfh]W]mhc'h'Y'Zccfž'UbX'gYh'<≠ < 'ZUb'a cXY'"

### To further optimize the performance of your unit, do the following:

- i ?YYd'Xccfg'UbX'k ]bXck g'Vt'gYX"
- i @]a ]h'YbYf[ mi gJ[ 'Y'Vmi g]b[ 'H# 9F'CB'UbX'H# 9F'C:: 'Zi bV]cbg'
- i 8c'bc'h'V'cW'UJf']b'Yhg'cf'ci h'Yhg'
- i FY[ i 'Uf'm]bgdYV]i'UbX'WYUb'UJf'Z]h'Yfg'

A guide on using the infrared remote is not included in this literature package. Not all the functions are available for the air conditioner, please check the indoor display and remote control of the unit you purchased.

**Other Features**

**Auto-Restart(some units)**  
 Z h Y i b j h c g y g d c k y f j h k j u i h c a u h j w m f y g u f h k j h h y d f j c f g y h j b g c b w d c k y f u g v y b f y g c f y x

**Anti-mildew (some units)**  
 K \ Y b h i f b j b c z z h y i b j h z f c a 7 C C @ 5 I H C f 7 C C @ z c f 8 F M a c X Y g z h y u j f v e b x j h c b y f k j v e b h j b i Y c d y f u h y u h j y f m i c k d c k y f h c x f m i d v e b x y b g y x k u h y f u b x d f y j y b h i a j x y k j f c k h

**Wireless Control(some units)**  
 K j f y y g g v e b f c u c k g m e i h c v e b f c m e i f u j f v e b x j h c b y f i g j b n e i f a c v j y d l c b y u b x u k j f y y g g v e b b y w m j c b : c f h y i G 6 X y j w u w g g z f y d u w a y b h z a u j b h y b u b w c d y f u h j c b g a i g h v y w u f f y x c i h v m d f c z y g j c b u g h u z z

**Louver Angle Memory(some units)**  
 K \ Y b h i f b j b c b n e i f i b j z h y c i j y f k j u i h c a u h j w m f y g a y j h g z c f a y f u b Y

**Active Clean function(some units)**  
 !! H Y 5 V M j Y 7 Y U b H Y W b c c [ m k U g Y g U k U m X i g z a c X z U b X [ f Y U g h U h a U m W i g y c X c f g k \ Y b j h U X \ Y f y g h c h Y \ Y U h Y i W U b [ Y f V m U i h c a u h j w m z f Y n j b U b X h Y b f U d X m h U k j b h Y z f c g 5 I d j d j g c i b X k j V Y \ Y u f X H Y 5 V M j Y W Y U b c d y f u h j c b j g i g Y X h c d f c X i W a c f Y v e b x y b g y x k u h y f h c j a d f c j Y h Y W Y U b j Y Z Y M z U b X h Y v e X U j f k j V c k c i H 5 Z H Y W Y U b j z h Y j b h y f b U k j b X k \ Y Y h Y b \_ Y Y d g c d y f u h j b k j h \ c h U j f h c V c k ! X f m h Y Y j U d c f U h c f z h i g d f y j Y b h j b h Y [ f c k h c Z a c X U b X \_ Y Y d j h Y j b g X Y W Y U b

!! K \ Y b h i j g z i b v m j c b j g i h f b y x c b z h y j b x c c f i b j h x j g d u m k j b x c k u d d y u f g i 7 @ i z u z h y f & \$ h c ( ) a j b i h y g z h y i b j h k j h i f b c z z u i h c a u h j w m u b X w b w 5 V M j Y 7 Y U b z i b v m j c b

**Breeze Away (some units)**  
 H j g z Y U h f y U j c X g X j f y v i U j f Z c k V c k j b c b h Y V c X m U b X a U \_ Y n e i Z Y Y j b X i [ j b j b g j \_ m v e c b Y g g

**Refrigerant Leakage Detection(some units)**  
 H Y j b X c c f i b j h k j u i h c a u h j w m X j g d U m i 9 @ \$ 7 I k \ Y b j h X Y h V M j f y z j Y f U b h Y U \_ U j Y

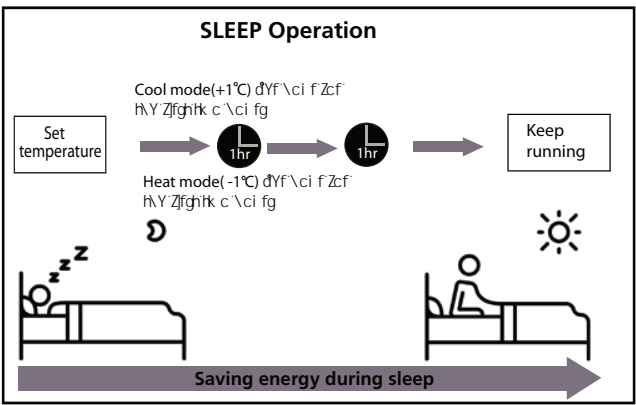
**ECO Intelligent eye(some units)**  
 H Y g n g h a j g v e b f c X Y j b h j Y b h m i b X Y f e h Y Y b h Y n Y a c X Y W b X Y h V M h Y d Y c d Y U j U M j j h Y g j b h Y f c c a " e v e c j b a c X Y z k \ Y b n e i U F Y U k U m z c f \$ a j b i h y g z h y i b j h k j u i h c a u h j w m i c k y f h Y Z Y e i Y b V h h c g U j Y Y b Y f m i z c f e j Y h y f a c X Y g c b n e 5 b X h Y i b j h k j u i h c a u h j w m g U f h U b X f Y g a Y c d Y f U h j c b j z g y b g j b i a U b U M j j m U U j b

**Sleep Operation**  
 H Y G @ 9 D z i b v m j c b j g i g Y X h c X Y W Y U g Y Y b Y f m i g Y k \ j Y n e i g Y Y d f U b X X c b h b Y Y X h Y g U a Y h Y a d Y f U h f y g y h j b g h c g h m v e a z c f h U V Y e H j g z i b v m j c b w b c b m V Y U M j U h Y j j U f Y a c h Y v e b f c 5 b X h Y G Y Y d z i b v m j c b j g b c h U j U j U V Y j b : 5 B c f 8 F M a c X Y

K \ Y b j b 7 C C @ a c X Y z h y i b j h k j j b W Y U g y h Y h Y a d Y f U h f y V m % 7 U Z h y f % \ c i f z U b X k j j b W Y U g y U b U X X j h c b U % 7 U Z h y f U b c h Y f \ c i f

K \ Y b j b < 9 5 H a c X Y z h y i b j h k j X Y W Y U g y h Y h Y a d Y f U h f y V m % 7 f & s : U Z h y f % \ c i f z U b X k j X Y W Y U g y U b U X X j h c b U % 7 U Z h y f U b c h Y f \ c i f

H Y g Y Y d Z Y U h f y k j g h c d U Z h y f \ c i f g U b X h Y g n g h a k j \_ Y Y d f i b b j b k j h z j b U g j h i U h j c b



**NOTE:**  
 : c f a i h j g d j h U j f v e b x h j c b y f g z h y z c c k j b z i b v m j c b g U f y b c h U j U j U V Y 5 V M j Y W Y U b z i b v m j c b z G j Y b W Z Y U h f y z 6 F Y Y n Y U k U m z i b v m j c b z F Y z j Y f U b h Y U \_ U j Y X Y h V M j c b z i b v m j c b U b X 9 v e Z Y U h f y

• **Setting Angle of Air Flow**

**Setting vertical angle of air flow**

K \JY'hY'i b]h]g'cbži gY'hY'SWING  
 Vi hrcb'cb'fYa chY'Vt'bfcc'h'c'gY'h'Y'X]fVW]cb'  
 fj]Yfh]W'Ub[ 'Yt'cZU]fZck "'D'YUgY'fYZf'hc'h'Y'  
 FYa chY'7cb'f'c'A Ubi U'Zcf'XYH]g'

**NOTE ON LOUVER ANGLES**

K \Yb'i g]b[ '7CC@cf'8FMa cXYžXc'bc'h'gY'h'  
 'ci j Yf'Uh'h'c'j Yfh]W'Ub'Ub[ 'Y'Zcf'cb[ 'dYf]cXg'  
 cZ]h'a Y''H]g]VWb'Wli gY'k UHf'hc'Vt'bXYbgY'cb'  
 h'Y'ci j Yf'V'UXYZ'k \]W'k ]''Xfcd'cb'mei f'Uccf'  
 cf'Zi fb]g\]b[ g'  
 K \Yb'i g]b[ '7CC@cf'<95H'a cXYžgY'h]b[ 'h'Y'  
 'ci j Yf'Uh'h'c'j Yfh]W'Ub'Ub[ 'Y'Wb'fYXi W'h'Y'  
 dYfZcfa UbW'cZ'h'Y'i b]h]Xi Y'hc'fYg]M]X U]f'Zck "  
**NOTE:** '5Wt'fx]b[ 'hc'h'Y'fY'Uh]j Y'g]UbXUfXg'  
 fYei ]fYa Ybh'd'YUgY'gY'h]g'h'Y'j Yfh]W'U]f'Zck  
 'ci j Yf'hc'']hg'a Ul ]a i a 'Ub[ 'Y'i bXYf'\YUh]b[ '  
 WdU]m]h]gh''

**Setting horizontal angle of air flow**

H'Y'\cf]ncb]U'Ub[ 'Y'cZ'h'Y'U]f'Zck 'a i gh'VY'gY'h'  
 a Ubi U'm]; f]d'h'Y'XYZYWt'cf'fcX'fGY' **Fig.B**  
 UbX'a Ubi U'm]UX'g]h]h'c'mei f'dfYZfYX'X]fVW]cb''  
**For some units,** h'Y'\cf]ncb]U'Ub[ 'Y'cZ'h'Y'U]f'Zck  
 Wb'VY'gY'h'Vmi'fYa chY'Vt'bfcc'h'c'd'YUgY'fYZf'hc'h'Y'  
 FYa chY'7cb'f'c'A Ubi U''

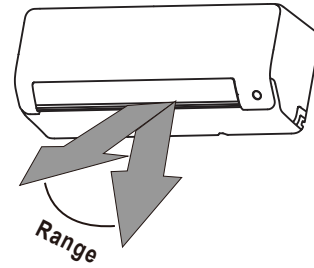
**Manual Operation(without remote)**

**! CAUTION**

H'Y'a Ubi U'Vi hrcb'']g]b]h]YbXYX'Zcf'h]g]b[ 'di fdcgYg'  
 UbX'Ya Yf[ YbV]ncdYfUh]cb'cb'm]D'YUgY'Xc'bc'h'i gY'h]g'  
 Zi bV]cb]i b'Ygg'h'Y'fYa chY'Vt'bfcc'h'c'g]c'gh]UbX'']h]g'  
 UVgc'i hY'mbYWgg]f]m]h'hc'fYg]c'fY'fY[ i 'Uf'cdYfUh]cbž'  
 i gY'h'Y'fYa chY'Vt'bfcc'h'c'U]m]j UhY'h'Y'i b]h]'i b]h]a i gh'  
 VY'hi fbYX'cZ'VYZcf'Ya Ubi U'cdYfUh]cb''''''''

H'c'cdYfUh]c'mei f'i b]h]a Ubi U'm

- % @W]hY'h'Y' **MANUAL CONTROL button** cb  
 h'Y'f] [ \h' \UbX'g]XY'dUbY'cZ'h'Y'i b]h]'
- &" DfYgg'h'Y' **MANUAL CONTROL button** cbY  
 h]a Y'hc'U]m]j UhY': CF798'5I HC'a cXY"
- ' " DfYgg'h'Y' **MANUAL CONTROL button** U[ U]b  
 hc'U]m]j UhY': CF798'7CC@B; 'a cXY"
- ( " DfYgg'h'Y' **MANUAL CONTROL button** U'h]fX  
 h]a Y'hc'hi fb'h'Y'i b]h]cZ'

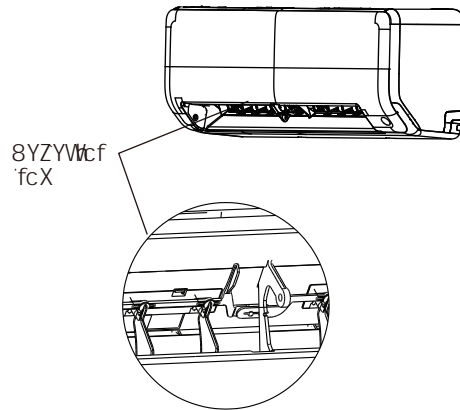


**NOTE:** '8c'bc'h'a c]Y'ci j Yf'Vm\UbX''H]g]k ]''  
 Wli gY'h'Y'ci j Yf'hc'VYVt'a Y'ci hcZ'g]b'W'Z'h]g]  
 cW]fgž'hi fb'cZ'h'Y'i b]h]UbX'i bd'i [ ]h'Zcf'U'Z]k  
 gY'Vt'bXgž'h'Y'b'fYg]Uf]h'Y'i b]h]'H]g]k ]''fYgY'h'Y'  
 'ci j Yf''''

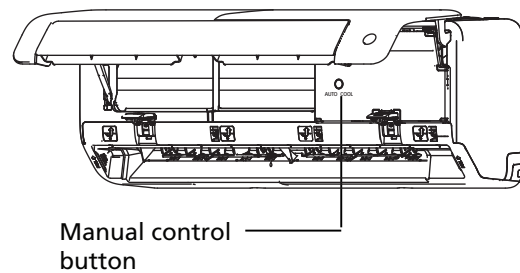
**Fig. A**

**! CAUTION**

8c'bc'h]di h'mei f'Z]b[ Yfg]b'cf'bYUf'h'Y'V'ck Yf'  
 UbX'g] W]cb'g]XY'cZ'h'Y'i b]h]'H'Y'\]] [ \!gdYX'  
 ZUb' ]bg]XY'h'Y'i b]h]a UmWli gY' ]b'f'frh'



**Fig. B**



**Fig. C**

# Care and Maintenance

## Cleaning Your Indoor Unit



### BEFORE CLEANING OR MAINTENANCE

**ALWAYS TURN OFF YOUR AIR CONDITIONER SYSTEM AND DISCONNECT ITS POWER SUPPLY BEFORE CLEANING OR MAINTENANCE.**



### CAUTION

C b'mi gY'U'gc.Zh'XfmVc'h'lc'k'jdY'h'Y'i'b]h'WYUb''  
Z'h'Y'i'b]h]g'YgdYVU'mX]f'm'nci'WUb'i'gY'U'Vc'h'  
gc'U\_YX'j'b'k'Ufa'k'Uhf'hc'k'jdY'h'WYUb''

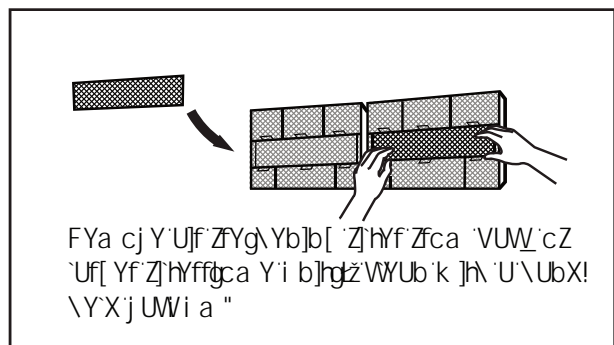
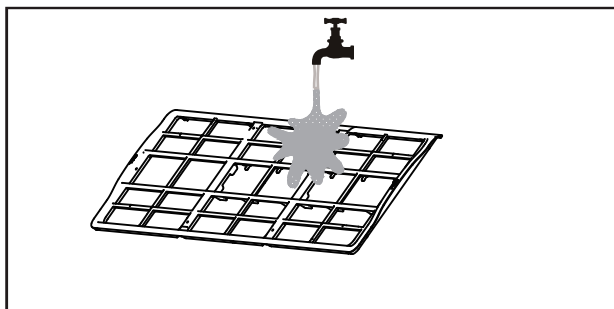
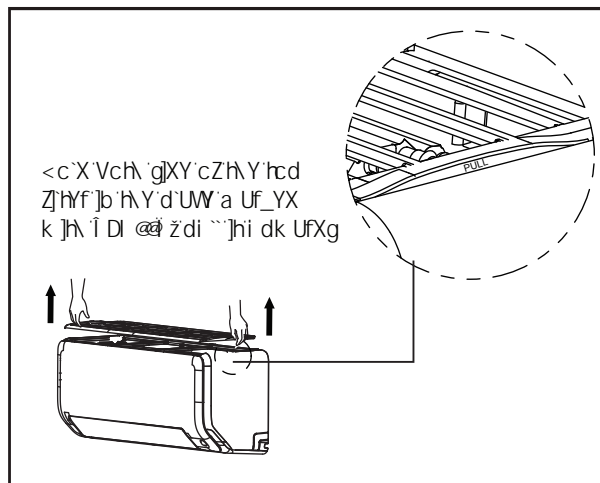
- i **Do not** i gY'V'Ya ]W]g'cf'V'Ya ]W]m'h'f'U'h'X'  
Vc'h'g'hc'WYUb'h'Y'i'b]h
- i **Do not** i gY'V'Ybn'Yb'Y'z'd'U]b'h'h'j'ob'Y'f'  
dc'j'g]b[ 'dck'XY'f'cf'ch'Y'f'gc'j'Yb'g'hc'WYUb'  
h'Y'i'b]h'f'h'Y'm'Wb'W]i'g'h'Y'd'U'g]W'g'f'Z'W'  
hc'V'U'U'cf'XY'Z'c'fa''
- i **Do not** i gY'k'U'h'f'\c'h'f'h'U'b'(\$s7'hc'  
WYUb'h'Y'Z'c'bid'U'b'Y''h'j'g'Wb'W]i'g'h'Y'  
d'U'b'Y'hc'XY'Z'c'fa'cf'V'Y'Vc'a'Y'X]g'Vc'cf'Y'X''

## Cleaning Your Air Filter

5'Vc'[ [YX'U]f'Z]h'f'WUb'f'Y'Xi'W'h'Y'Vc'j'b[ 'YZZ]W]b'W'h'  
c'Z'nci'f'i'b]h'z'WUb'U'gc'a'U\_Y'h'Y'U]f'Z'ck'j'f'f'Y'[i'U'f'  
Ub'X'h'cc'a'i'V'bc]g'n'z'gc'd'Y'U'g'WYUb'h'Y'U]f'Z]h'f'  
U'gc'Z]h'f'U'g'b'Y'W'g'd'f'm'i'Cb'W'h'Y'U'V'bc'fa'U'bc'j'g'  
c'Z'U]f'Z'ck'j'g'\Y'U'f'X'z'd'Y'U'g'WYUb'h'Y'U]f'Z]h'f'  
j'a'a'Y'X]U'h'm'i'

- % H'Y'U]f'Z]h'f'j'g'cb'h'Y'hc'd'c'Z'h'Y'U]f'Vc'b'X]h]cb'Y'f'
- & <c'X'Vc'h'g]X'Y'c'Z'h'Y'hc'd'Z]h'f'j'b'h'Y'd'U'W'  
a'U'f'\_Y'X'k'j'h'i'd'i @ z'h'Y'b'di''j]h'i'dk'U'f'X'g'
- " z'nci'f'Z]h'f'\U'g'ga'U''U]f'Z]h'f'Y'b]b[ 'Z]h'f'g'  
i'b]W]d'h'Ya'Z'ca'h'Y'U'f'Y'f'Z]h'f'7'Y'U'b'h'Y'g'  
U]f'Z]h'f'Y'b]b[ 'Z]h'f'g'k'j'h'U'\U'b'X!\Y'X'j'U'W'i'a''
- (. 7'Y'U'b'h'Y'U'f'Y'U]f'Z]h'f'k'j'h'k'U'fa'z'gc'U'd'm'  
k'U'h'f''6'Y'g'f'Y'hc'i'gY'U'a'j'X'X'Y'h'f'[Y'b'h'

- ) " F]b'g'Y'h'Y'Z]h'f'k'j'h'Z]h'f'g'k'U'h'f'z'h'Y'b'g'U\_Y'  
c'Z'Y'i'W'g'g'k'U'h'f''
- \* " 8'f'm]h]b'U'Vc'z'X'f'm'd'U'W'z'U'b'X'f'Y'Z'U]b'Z'f'ca'  
Y'i'd'c'g]b[ 'j]h'hc'X]f'Y'W'g' b]'\h'
- + " K'\Y'b'X'f'r'a'f'Y]W]d'h'Y'U]f'Z]h'f'Y'b]b[ 'Z]h'f'hc'  
h'Y'U'f'Y'f'Z]h'f'z'h'Y'b'j'og'U''j]h'V'U'W'c'b'h'Y'  
j]b'X'c'c'f'i'b]h'



**CAUTION**

- 6YzcFY VWUb [ ]b[ 'hAY Z]hYf'cf VWUb]b[ ž hi fb'cZZhAY'i b]hUbx X]gVtbbVW]hg dck Yf g dd'm
- K \Yb'fYa cj ]b[ 'Z]hYf'Xc' bch'ci VW 'a YHU dUfhg]b'hAY'i b]h' hAY'gUfd'a YHU'YX[ Yg'VWb W'hnci "
- 8c' bchi gY'k UHYf'hc' VWUb'hAY' ]bg]XY'cZ hAY ]bXccf'i b]h' hAY'g'VWb XYg'fcm]bgj 'Uh]cb'UbX VU'i gY'YVW]VU' g'cW"
- 8c' bchYI dcy' Z]hYf'hc' X]fVW]g' b][ \hk \Yb Xfn]b[ " hAY'g'VWb g'f]b\_ hAY'Z]hYf"

**Air Filter Reminders (Optional)**

**Air Filter Cleaning Reminder**

5ZHYf & ( \$ \ci fg'cZi gYzhAY'X]gd'Umk ]bXck 'cb' hAY' ]bXccf'i b]hk ]''ZUg\ I 7@' hAY'g]g'U'fYa ]bXYf' hc' VWUb'nci f'Z]hYf' 5ZHYf'g' gYVtbbXgzhAY'i b]hk ]'' fYj Yfh'hc' ]hg'dfYj ]ci gX]gd'Umh

Ht' fYgYhAY'fYa ]bXYf'z'dfYgg'hAY' **LED** button cb'nci f'fYa chY'Vtbbf'c' ( 'hja Yg'z'cf'dfYgg'hAY' **MANUAL CONTROL** Vi h'cb'' 'hja Yg]'Znci 'Xcb]h'i fYgYhAY'fYa ]bXYf'z'hAY' I 7@' ]bX]W]h'cf'k ]''ZUg\ U[ U]b'k \Yb'nci 'fYg'Ufh'hAY'i b]h'

**Air Filter Replacement Reminder**

5ZHYf & z , \$ \ci fg'cZi gYzhAY'X]gd'Umk ]bXck 'cb' hAY' ]bXccf'i b]hk ]''ZUg\ I b:'I hAY'g]g'U'fYa ]bXYf' hc' fYd'UW'nci f'Z]hYf' 5ZHYf'g' gYVtbbXgzhAY'i b]h' k ]''fYj Yfh'hc' ]hg'dfYj ]ci gX]gd'Umh

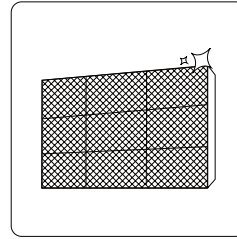
Ht' fYgYhAY'fYa ]bXYf'z'dfYgg'hAY' **LED** button cb'nci f'fYa chY'Vtbbf'c' ( 'hja Yg'z'cf'dfYgg'hAY' **MANUAL CONTROL** Vi h'cb'' 'hja Yg]'Znci 'Xcb]h'i fYgYhAY'fYa ]bXYf'z'hAY' I b:'I ]bX]W]h'cf'k ]''ZUg\ U[ U]b'k \Yb'nci 'fYg'Ufh'hAY'i b]h'

**CAUTION**

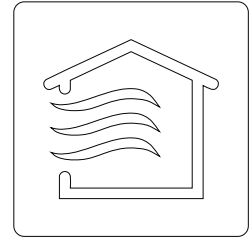
- 5bmia U]bhYbUbW' UbX VWUb]b[ 'cZ'ci hXccf i b]hg'lc'i 'X'VY'dYfZcfa YX'VmiUb'Ui h'cf]nYX XYU'Yf'cf'U''WbgYX' gYfj ]W'dfcj ]XYf'
- 5bmii b]h'fYdU]fg'g'lc'i 'X'VY'dYfZcfa YX VmiUb'Ui h'cf]nYX'XYU'Yf'cf'U''WbgYX gYfj ]W'dfcj ]XYf'

**Maintenance – Long Periods of Non-Use**

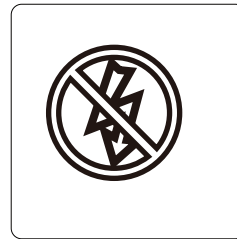
Znci 'd'Ub' bch'hc' i gY'nci f'U]f'VtbbX]h]cbYf'Zc'f'Ub' YI hYbXYX'dYf]cX'cZ'hja Yz'Xc'hAY'Zc''ck ]b[ .



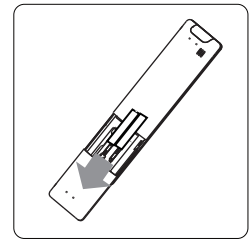
7\Yub'U''Z]hYfg



H fb'cb': 5B Z' bV]cb'i bh]' i b]hXf]Yg'ci hVt'a d'YH'm



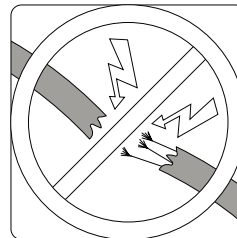
H fb'cZ' hAY'i b]hUbx X]gVtbbVW]hAY'dck Yf'



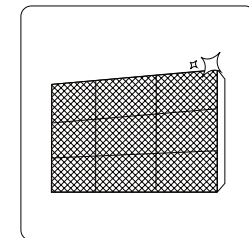
FYa cj'Y'VU'hYf]Yg' Z'ca' fYa chY'Vtbbf'c'

**Maintenance – Pre-Season Inspection**

5ZHYf'cb[ 'dYf]cXg'cZ'bcbl'i gY'z'cf'VYz'cf'Y'dYf]cXg' cZ'Z'Yei Ybhi gY'z'Xc'hAY'Zc''ck ]b[ .



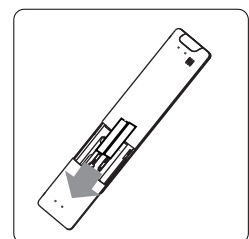
7\YW'Zc'f'XUa U[ YX'k ]fYg



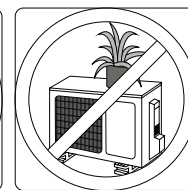
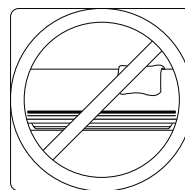
7\Yub'U''Z]hYfg



7\YW'Zc'f''YU\_g



FYd'UW'VU'hYf]Yg



A U\_Y'g' fY' bch]b[ ]g'V'cW]b[ 'U''U]f' ]b'Yhg'UbX'ci hYfg

Care and Maintenance

# Troubleshooting

## SAFETY PRECAUTIONS

⚠️ 5. Before working on the indoor unit, always disconnect the power supply to the indoor unit from the main power supply.

- Do not touch the fan blades.
- Do not touch the fan motor.
- Do not touch the fan blades when the fan is running.
- Do not touch the fan blades when the fan is stopped.
- Do not touch the fan blades when the fan is stopped.

**DO NOT ATTEMPT TO FIX THESE YOURSELF! CONTACT AN AUTHORIZED SERVICE PROVIDER IMMEDIATELY!**

## Common Issues

5. Before working on the indoor unit, always disconnect the power supply to the indoor unit from the main power supply.

Troubleshooting

Issue	Possible Causes
<b>Unit does not turn on when pressing ON/OFF button</b>	<p>The indoor unit is not receiving power from the main power supply.</p> <p>The indoor unit is not receiving power from the main power supply.</p>
<b>The unit changes from COOL/HEAT mode to FAN mode</b>	<p>The indoor unit is not receiving power from the main power supply.</p> <p>The indoor unit is not receiving power from the main power supply.</p>
<b>The indoor unit emits white mist</b>	<p>The indoor unit is not receiving power from the main power supply.</p> <p>The indoor unit is not receiving power from the main power supply.</p>
<b>Both the indoor and outdoor units emit white mist</b>	<p>The indoor unit is not receiving power from the main power supply.</p> <p>The indoor unit is not receiving power from the main power supply.</p>
<b>The indoor unit makes noises</b>	<p>The indoor unit is not receiving power from the main power supply.</p> <p>The indoor unit is not receiving power from the main power supply.</p>
<b>Both the indoor unit and outdoor unit make noises</b>	<p>The indoor unit is not receiving power from the main power supply.</p> <p>The indoor unit is not receiving power from the main power supply.</p>

Issue	Possible Causes
The outdoor unit makes noises	H\Y'i b]h\k ]'a U_Y'X]ZZfYbhgci bXgVUgY'cb ]hgW ffYbhcdYfU]b[ 'a cXY''
Dust is emitted from either the indoor or outdoor unit	H\Y'i b]h]a UmUW'a i 'UHY'Xi ghXi f]b[ 'YI hYbXYX'dYf]cXg'cZbcbl! gY'k \]W'k ]'VY' Ya ]hYX'k \Yb' h\Y'i b]h]g]h' fbYX'cb'' H\g]WUb'VY'a ]h[ UHYX'VmVz] Yf]b[ 'h\Y'i b]hXi f]b[ 'cb[ 'dYf]cXg'cZ]bUW] ]h''
The unit emits a bad odor	H\Y'i b]h]a UmUW'cV'cXc'f'Z'ca 'h\Y'Yb] ]f'c'ba Yb]h]f]j W' U'g'Z' f]b]h' fY'Z'V'c_]b[ 'Z' W] UYfYh'g'z'YhV'k \]W'k ]'VY'Ya ]hYX'Xi f]b[ 'cdYfU]cbg'' H\Y'i b]h]g]U'h'f'g'\Uj Y'VY'V'a Y'a c'XmUbX'g'ci 'X'VY'WYUbYX''
The fan of the outdoor unit does not operate	8i f]b[ 'cdYfU]cbZ'h\Y'Z'ub'g'd'Y'YX' ]g'V'z'bf'c''YX' h'c'cd]h]a ]hY' d'f'c'Xi W'cdYfU]cb''
Operation is erratic, unpredictable, or unit is unresponsive	⊕h'f'Z'f'Y'W'Z'ca 'W''d'cbY'h'ck Y'f'g'UbX'f'Ya c'h'V'cc'g'h'f'g'a UmUW] g'Y'h\Y'i b]h]h'c' a U'Z' b]V]cb'' ⊕h\g]W]g'z'h'f'm'h\Y'Z'c'ck ]b[ . • 8]g]V'bbY'W'h\Y'd'ck Y'f'h'Y'b'f'V'z'bbY'W' • DfYgg'CB#€: : 'Vi h'c'b'c'b'f'Ya c'h'V'z'bf'c''h'c'f'Y'g'h'f'cd'YfU]cb''

**NOTE:** Z'dfcV'Ya 'dYf]g]h'g'z'V'z'bf'U'U'c'W'X'Y'U'Y'f'c'f'nc'i f'b'Y'U'f'g'h'W'g'ca Y'f'g'f] ]W'W'b'h'f''D'f'c] ]X'Y' h\Ya 'k ]h' U'X'Y'U]Y'X'X'Y'g'W]d]h]c'b'c'Z'h\Y'i b]h]a U'Z' b]V]cb'U'g'k Y''U'g'nc'i f'a cXY''bi a VYf''

### Troubleshooting

K \Yb'h'f'ci V'Y'g'c'W'f'z'd'Y'U'g'W'X'Y'W' h\Y'Z'c'ck ]b[ 'dc]bh'g'V'Y'Z'c'f'Y'V'z'bf'U'W]b[ 'U'f'Y'd]U]f'V'z'a d'U'br'h

Problem	Possible Causes	Solution
Poor Cooling Performance	H\Y'a dYfU]h' fY'g'Y'h]b[ 'a UmVY'\] [ \Yf' h\Ub'U'a V]Yb]h'f'cca 'h\Y'a dYfU]h' fY''	@k Yf'h\Y'h\Y'a dYfU]h' fY'g'Y'h]b[
	H\Y'\Y'U'h]Y] W'Ub[ Yf'cb'h\Y' ]b'X'cc'f' c'f'ci h'X'cc'f'i b]h]g'X]f'm'i'	7'Y'Ub'h\Y'U'Z'Y'W'X'\Y'U'h]Y] W'Ub[ Yf' c'f'ci h'X'cc'f'i b]h]g'X]f'm'i'
	H\Y'U]f'Z]h'f' ]g'X]f'm	F'Ya c]Y'h\Y'U'h'f'U'X'W'W'Ub' ]h'U'W'z'f'X]b[ 'h'c' ]b'g'f'i W]cbg'
	H\Y'U]f' ]b'Y'h'c'f'ci h'Y'h'c'Z]h\Y'f' i b]h]g'V'c'W'Y'X'	H'fb'h\Y'i b]h]c'Z]f'Ya c]Y'h\Y'c'V'g'f'i W]cb' U'X'h'fb' ]h'V'U'W'cb'
	8'cc'f'g'Ub'X'k ]b'X'ck'g'U'f'Y'cd'Y'b'	A'U_Y'g' f'Y'h'U'h'U''X'cc'f'g'Ub'X'k ]b'X'ck'g'U'f' V'z'g'Y'k \]Y'cd'Y'f'U]b[ 'h\Y'i b]h'i'
	9'W'g]j Y'\Y'U'h]g[ Y'b]f'U'Y'X V'm'g' b]] \h'	7'c'g'Y'k ]b'X'ck'g'Ub'X'W'f'U]b'g'X'i f]b[ 'dYf]c'X'g' c'Z'] [ \Y'U'h'c'f'V'f] [ \h'g' b'g' ]b'Y''
	H'c'a U'br'g'ci f'W'g'c'Z'\Y'U'h]b'h\Y' f'cca 'f'd'Y'cd'Y'z'V'z'a di h'f'g'z' Y'Y'V'f'cb]V'z'Y'h'V'k''	F'Y'X'i W'U'a ci b'h'c'Z'\Y'U'h]g'ci f'W'g'
	@k 'f'Y'Z]] Y'f'U'bh'Xi Y'h'c''Y'U_ c'f''cb[ !h'Y'fa 'i'g'	7\Y'W'Z'c'f''Y'U_g'f'Y'g'Y'U' ]Z'b'Y'W'g]U'f'm'U'X' h'cd'c'Z'f'Y'Z]] Y'f'U'bh'
G-@B'7'9'Z' b]V]cb' ]g'U'W]j U'Y'X' f'c'd]h]c'b'U'Z' b]V]cb'z'	G-@B'7'9'Z' b]V]cb' W'Ub''ck' Y'f' d'f'c'Xi W' d'Y'f'Z'ca U'W'V'm'f'Y'Xi V]b[ 'cd'Y'f'U]b[ 'Z'f'ei Y'b'W'h'H'fb'c'Z'G-@B'7'9'Z' b]V]cb''	

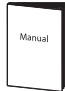

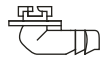
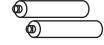

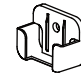





Problem	Possible Causes	Solution
<b>The unit is not working</b>	Dck Yf'ZU]i fy	K U]hZcf'hY'dck Yf'hc'VY'fygchfYX'
	H.Y'dck Yf']gh fbYX'cZZ	H fb'cb h.Y'dck Yf
	H.Y'Zi gY'jg'Vi fbYX'ci h	FYd'UW h.Y'Zi gY'
	FYa chY'Ve'bfcc'VUthYf]YgUfY'XYUX'	FYd'UW'VUthYf]Yg
	H.Y'I b]h'g' Ia ]bi hY'dfchV]cb \UgVYYb'UW]j UHYX'	K U]h h.Y'fY'a ]bi hY'g'UZHYf'fygUth]b[ ' h.Y'i b]h'
	H]a Yf'jg'UW]j UHYX	H fb'h]a Yf'cZZ
<b>The unit starts and stops frequently</b>	H.Y'fY]h'cc'a i W'cf'fcc'']hY fyZf][ YfUbh]b'h.Y'gnghYa'	7\YW'Zcf''YU_g'UbX'fYVUf[ Y'h.Y' gnghYa' k ]h'fyZf][ YfUbh''
	hVta dfYgg]VY'[ Ug'cf'a c]g]i fy' \UgYbhYfYX'h.Y'gnghYa''''	9] UW'UHY'UbX'fYVUf[ Y'h.Y'gnghYa' k ]h'fyZf][ YfUbh'
	H.Y'Ve'a dfYgg'f]g'Vfc_Yb	FYd'UW'h.Y'Ve'a dfYgg'f
	H.Y'j c'hU[ Y'jg'hcc'\][ \cf hcc'ck'	hghU''U'a UbcghUhc'fy[ i'UHY'h.Y' j c'hU[ Y'
<b>Poor heating performance</b>	H.Y'ci hXccf'hYa dYfUh fy'jg YI hYa Y'mick'	I gY'U i ]]Ufm\YU]b[ 'XYj]W'
	7c'X'U]f]g'YbhYf]b[ 'h'fci [ \Xccfg'UbX'k ]bXck'g'	A U_Y'g] fy'h.UhU''Xccfg'UbX' k ]bXck'g'UfY'Ve'gyX'Xi f]b[ 'i gY''''
	@k'fyZf][ YfUbhXi Y'hc''YU'_cf 'cb[ !h'fa' i gY'	7\YW'Zcf''YU_g'fy]gYU' ]ZbYVWggUfm UbX'hd'cZZ'fyZf][ YfUbh''
<b>Indicator lamps continue flashing</b>	<p>H.Y'i b]h]a Umghcd'cdYfU]cb'cf'Ve'bh]bi Y'hc'fi b'gUZY'mi-Z'h.Y'j]bX]W]hcf' 'Ua dg'Ve'bh]bi Y'hc'U'Ug\cf'Yffcf'Ve'XYg'UddYUfz'k U]hZcf'UVci h%\$' a ]bi hY'g'H.Y'dfcV'Ya' a UmfYgc'j Y'jhgY'Z''</p> <p>Z'bc'h'X]g'Ve'bbYVh'h.Y'dck Yfz'h.Y'b'Ve'bbYVh]hU[ U]b''H fb'h.Y'i b]h'icb''</p> <p>Z'h.Y'dfcV'Ya' dYfg]g'X]g'Ve'bbYVh'h.Y'dck Yf'UbX'Ve'bhU]h'nci f'bYUfYg] W'g'ca Yf'gYf] ]W'WbhYf''</p>	
<b>Error code appears and begins with the letters as the following in the window display of indoor unit:</b>		
<ul style="list-style-type: none"> <li>• E(x), P(x), F(x)</li> <li>• EH(xx), EL(xx), EC(xx)</li> <li>• PH(xx), PL(xx), PC(xx)</li> </ul>		

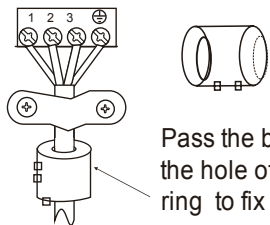
**NOTE:** Z'nci f'dfcV'Ya' dYfg]g'UZYf'dYfZcfa ]b[ 'h.Y'W'YW'g'UbX'X]U[ bcgh]U]Uvcj Yz' 'hi fb'cZZ'nci f'i b]h]a a YX]UHY'mUbX'Ve'bhU]h'Ub'Ui h'cf]hYX'gYfj ]W'WbhYf''



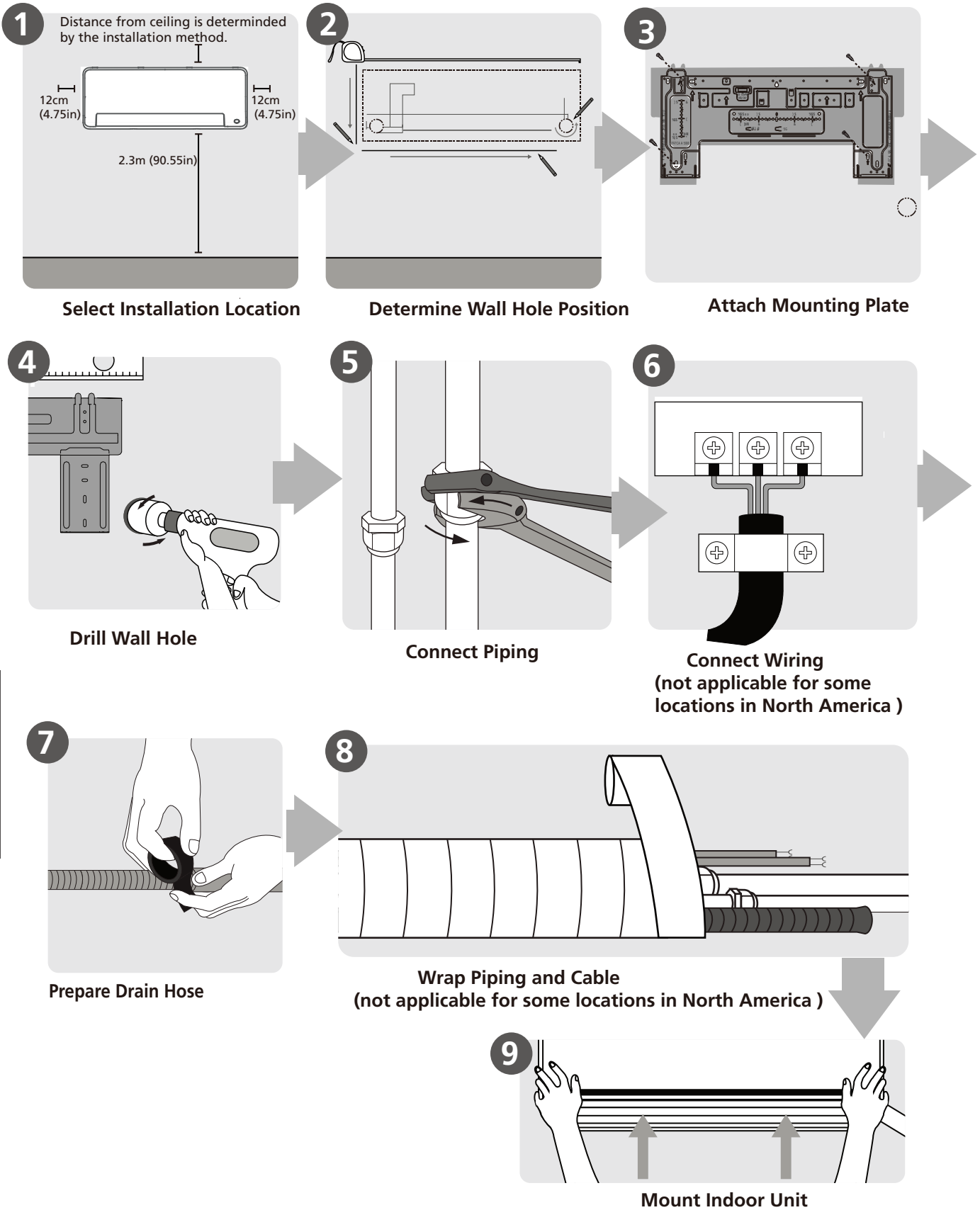
# Accessories

H\Y'Uj'V\bx]h]cb]b[ 'gng]Ya 'V\ a Yg'k ]h' h\Y'Zc`ck ]b[ 'UMWggcf]Yg'I gY'U`cZ h\Y' ]bgh'U'h]cb'dUfhg' UbX'UMWggcf]Yg'hc' ]bgh'U`h\Y'Uj'V\bx]h]cbYf' a dfcdYf' ]bgh'U'h]cb'a UmfYg' 'h' ]b'k UHYf'YU\_U[ Yz' Y'YVf]Wf' g\cW' UbX' Z'fYz'cf'Wli gY'h\Y'Yei ]da Ybh'c'ZU]' H\Y' ]h'Ya g'UfY' bch' ]bW' XYX k ]h' h\Y'Uj'V\bx]h]cbYf'a i gh'VY'di fVX'UgYX'gYdUfUHY'm'i

Name of Accessories	Q'ty(pc)	Shape	Name of Accessories	Q'ty(pc)	Shape
Manual	2-3		Remote controller	1	
Drain joint (for cooling & heating models)	1		Battery	2	
Seal (for cooling & heating models)	1		Remote controller holder(optional)	1	
Mounting plate	1		Fixing screw for remote controller holder(optional)	2	
Anchor	5~8 (depending on models)		<b>Small Filter</b> fBYX'hc'VY' ]bgh'U'YX'cb' h\Y'VUW'cZ'a U]b'Uj'Z'hYf' Vmh\Y'U' h\cf]nYX' hYVb]WU'b'k' \]Y' ]bgh'U' ]b[ h\Y'a UWX' ]bYt	1~2 (depending on models)	
Mounting plate fixing screw	5~8 (depending on models)				

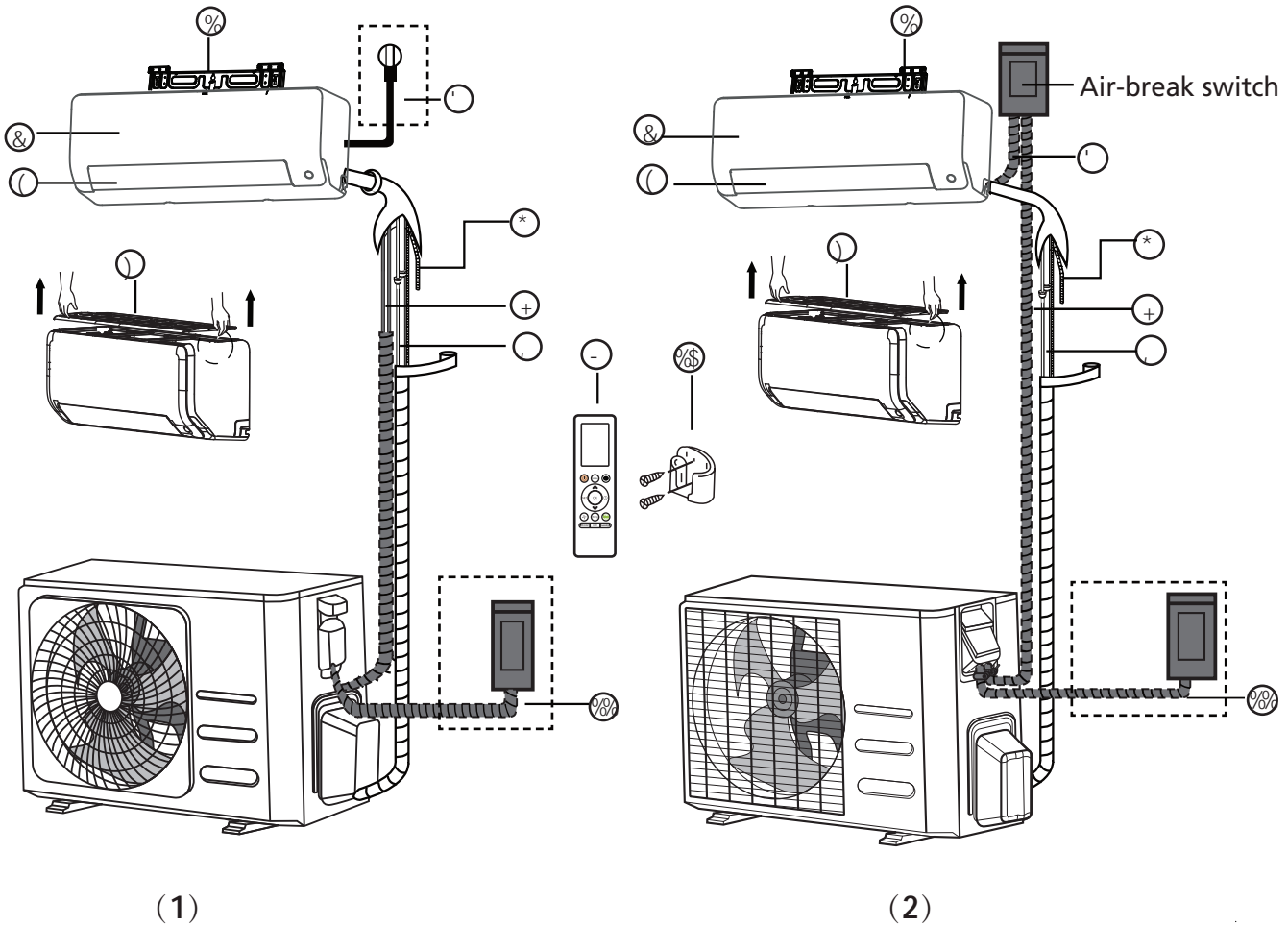
Name	Shape	Quantity(PC)
Connecting pipe assembly	Liquid side	Φ 6.35 (1/4in)
		Φ 9.52 (3/8in)
	Gas side	Φ 9.52 (3/8in)
		Φ 12.7 (1/2in)
		Φ 16 (5/8in)
	Φ 19 (3/4in)	
DUfhg'nci 'a i gh'di fVX'UgY' gYdUfUHY'm'i 7 cbg' h'h\Y'XYU'Yf UVci h'h\Y'dfcdYf'd]dY'g]nY'cZ h\Y'i b]h'nci 'di fVX'UgYX"		
Magnetic ring and belt (if supplied ,please refer to the wiring diagram to install it on the connective cable. )	 <p>Pass the belt through the hole of the Magnetic ring to fix it on the cable</p>	J Uf]YgVma cXY'

# Installation Summary - Indoor Unit



# Unit Parts

**NOTE:** H.Y.'bgfU`Uh]cb'a i gh'VY'dYfZcfa YX' ]b'UMW'fXUbW'k ]h' h'Y'fYei ]fYa YbhcZ`cW'`UbX bUh]cbU`g'UbXUfXg' H.Y.'bgfU`Uh]cb'a UmVY'g][ \hmX]ZZYfYbh' ]b'X]ZZYfYbh'UfYUg'



- ⊗ K U`A ci bh]b[ `D'UHY
- & : fcbhD'Uby`
- Dck Yf'7UV'Y'fGca Y'I b]hgk`
- ⊙ @i j Yf
- ① 5]f'Z]hyffdi `]]hici H
- \* 8fU]bU[ Y'D]dY
- + G][ bU`7UV'Y
- FYZF][ YfUbhD]d]b[
- ⊖ FYa chY'7cbhfc`Yf`
- ⊗ FYa chY'7cbhfc`Yf`<c`XYf fGca Y'I b]hgk`
- ⊗ Ci hXccf'I b]h'Dck Yf'7UV'Y' fGca Y'I b]hgk`

## NOTE ON ILLUSTRATIONS

≡i g'fU]cbg' ]b' h' ]g'a Ubi U`UfY'Zcf'YI d`UbUhc'fmi d'cgy'g' H.Y.'UMW' U`g'UdY'cZ'nci f' ]b'Xccf' i b]h'a UmVY'g][ \hmX]ZZYfYbh' H.Y.'UMW' U`g'UdY'g'U`dfYj U]''

Unit Parts

# Indoor Unit Installation

## Installation Instructions – Indoor unit

### PRIOR TO INSTALLATION

6YZcfY ]bgtU`b[ 'hAY ]bXccfi b]hžfYZf'hc 'hAY`  
 'UVY`cb'hAY'dfcXi VhVcl'hc'a U\_Y'g' fY'hUhihAY`  
 a cXY`bi a VYf'cZ'hAY`b]Xccfi b]hā UHhYg'hAY`  
 a cXY`bi a VYf'cZ'hAY`ci hXccfi b]h'

### Step 1: Select installation location

6YZcfY ]bgtU`b[ 'hAY ]bXccfi b]hžmēi 'a i gh  
 VhccgY`Ub`Uddfcdf]UHY`cVWh]cb`'HAY`Zc`ck ]b[`  
 UfY`ghUbXUfXg'hUhi k ]`'AY`d`mēi` VhccgY`Ub`  
 Uddfcdf]UHY`cVWh]cb`Zcf'hAY`i b]h'

### Proper installation locations meet the following standards:

- ☑ ; ccX`Uj'VjVW`Uh]cb
- ☑ `7cbj`Yb]YbhXfU]bU[`Y
- ☑ `Bc]gY`Zfca`'hAY`i b]hk ]`'bchX]gh' fV`chAY`  
dYcd`Y
- ☑ ; ]fa`UbX`gc`X]i` hAY`cVWh]cb`k ]`'bchj ]VfUHY
- ☑ `Gfcb[`Ybci [ `h'c`g`ddcf'hAY`k ]Y[ `h'cZ'hAY`  
i b]h
- ☑ `5`cVWh]cb`Uh`YUgh]cbY`a`YHf`Zfca`U`'chAY`  
Y`Vf]W`XYj ]Wg`fY`["`žHUž`fUX]cž`Vēa`di`hYfē

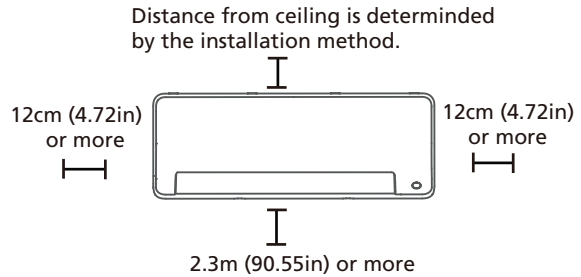
### DO NOT install unit in the following locations:

- ⊘ BYUf`Ubm]ci`fW`cZ`YUhz`ghYUa`žcf`  
Vēa`Vi`gh]V`Y`[`Ug
- ⊘ BYUf`U`Ua`a`UV`Y`]hYa`g`g`Vh`Ug`V`fU]bg`cf`  
Vēh]b[
- ⊘ BYUf`U`bmc`Vg]UWY`h`Uha`[ [ `hV`cW`U]f`  
VjVW`Uh]cb
- ⊘ BYUf`hAY`Xccfk`Um
- ⊘ `ē`U`cVWh]cb`g`V`YVh'c`X]fYVh]g`b`[ `h

### NOTE ABOUT WALL HOLE:

žhAYfY ]gbc`U] YX`fYZf[ ]YfUhd]d]b[`  
 K` ]Y`Vhccg]b[`U`cVWh]cbž`VY`Uk`UfY`hUhihēi`  
 g]ci`X`YUj`Y`Ua`d`Y`fcca`Zcf`U`k`U`'c`Y`f]gY`  
**Drill wall hole for connective piping** ghYdē  
 Zcf'hAY`g]b[`bU`VWV`Y`UbX`fYZf[ ]YfUhd]d]b[`  
 hUhiVēbbYVh'hAY`b]Xccf`UbX`ci`hXccfi`b]hg`  
 HAY`XYZU]`hdcg]h]cb`Zcf`U`d]d]b[` ]g'hAY`f[ `h  
 g]XY`cZ'hAY`b]Xccfi`b]h]fk` ]Y`ZU]b[ `hAY`i`b]hē`  
 <ck`Yj`Yfž`hAY`i`b]hVUb`UWVēa`a`cXUHY`d]d]b[ `hc`  
 Vch`hAY`Yzh`UbX`f[ `h'

## Refer to the following diagram to ensure proper distance from walls and ceiling:



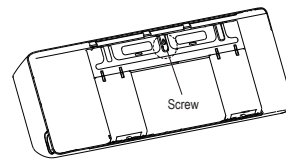
### NOTE:

- If no need the back holder to prop up the unit:  
 : ]b]g]b[ `hAY`d]dY`UbX`WV`Y`VēbbYVh]cbg`  
 VYZcfY`a`ci`bh'hAY`b]Xccfi`b]h]cb`hAY`k`U`"  
 žhAY`]bgh`Uh]cb`Y] [ `h]g`]a` ]hYXž` Vē`Zfca`  
 hAY`W]b[` ]g`U`ck`UV`Yž`Vi`h'h]g`Wb`ck`Yf`  
 dfcXi`Vh`dYfZfca`UbW`"Hc`Ybg`fY`Ybci [ `\  
 gdUW`hc`]bgtU`UbX`fYa`cj`Y`hAY`hcd`U]f`Z]hYfž`  
 \_Yd`Uh`YUgh`%\$Vē`cf`a`cfY`Zfca`hAY`W]b[`"  
 ● Need the back holder to prop up the unit:  
 žVēbbYVh]b[`d]dY`UbX`WV`Y`k` ]h`Zfcbhd`UbY`  
 cdYbž`hAY`a`]b]a`i`a`X]g]UbW`Zfca`W]b[` ]g`  
 &&Vē`cf`a`cfYž`ZVēbbYVh]b[`d]dY`UbX`WV`Y`  
 k` ]h`ci`hZfcbhd`UbY`fY`a`cj`Y`hēž`hAY`a`]b]a`i`a`  
 X]g]UbW`Zfca`W]b[` ]g`%Vē`cf`a`cfY`"

### Step 2: Attach mounting plate to wall

HAY`a`ci`bh]b[`d`UHY`]g'hAY`XYj ]W`cb`k` ]W`mēi`  
 k ]`a`ci`bh'hAY`b]Xccfi`b]h'

- fYa`cj`Y`hAY`gVYk`hUhiUHWYg'hAY`a`ci`bh]b[`  
 d`UHY`hc`hAY`VUW`cZ'hAY`b]Xccfi`b]h'



- GYW`fY`hAY`a`ci`bh]b[`d`UHY`hc`hAY`k`U`k` ]h`  
 hAY`gVYk`gdfcj ]XYX`"A`U`Y`g`fY`hUha`ci`bh]b[`  
 d`UHY`]g`ZUhiU[ ]b]gh'hAY`k`U`"

### NOTE FOR CONCRETE OR BRICK WALLS:

žhAY`k`U`" ]g`a`UXY`cZVf]Wž`VēbVYhYž`cf`g]a` ]Uf`  
 a`UHYf]Už`Xf`" ) a`a`!X]Ua`YHf`f\$`&]b!X]Ua`YHfē`  
 \c`Yg]b`hAY`k`U`'UbX`]bgYfhihAY`gYyY`Y`UbVh`c`fg`  
 dfcj ]XYX`"H`Yb`gYV`fY`hAY`a`ci`bh]b[`d`UHY`hc`  
 hAY`k`U`'Vmih[ `hYb]b[ `hAY`gVYk`g`X]fYVh]m]b]hc`  
 hAY`W]d`UbW`c`fg`"



#### Step 4: Prepare refrigerant piping

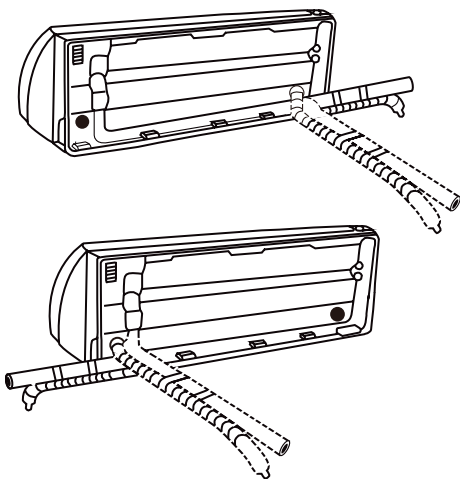
hY'fYZf[ YfUbd]d]b[ ]g]bg]XY'Ub ]bg ]Uh]b[ gYYj Y'U'U'W'YX'hc' h'Y'V'U'W'c'Z'h'Y'i b]h' M'ci 'a i gh d'fYd'U'F'h'Y'd]d]b[ 'V'Y'Z'c'f'y'd'U'g]b[ ]h'h'f'ci [ \ h'Y \c'Y ]b'h'Y'k U' F'Y'Z'f'hc' h'Y' **Refrigerant Piping Connection** g'V'W'c'b'c'Z'h'Y'g'a Ubi U'Z'c'f'X'Y'U]g' ]bg'f'i W'c'bg'c'b'd]d]Y'U'U'f]b[ 'Ub'X'U'U'F'Y'hc'f'ei Y'f'ei ]f'Ya Y'bh'g'h'W'V'b]ei Y'z'Y'h'W'...

#### NOTE ON PIPING ANGLE

F'Y'Z'f[ YfUbd]d]b[ 'W'b'Y'i ]h'h'Y' ]b'X'c'c'f'i b]h'Z'f'ca 'Z'c'i f'X]Z'Y'f'Y'bh'U'b[ 'Y'g

- @Z'h\UbX'g]XY
- @Z'h'f'Y'U'f
- F][ \h\UbX'g]XY
- F][ \h'f'Y'U'f

F'Y'Z'f'hc' **figures below** 'Z'c'f'X'Y'U]g'



#### NOTE ON PIPING CONNECTING

- @g'ca Y'c'W'h]c'bg'c'Z'I G'z'U'V'eb'X'i ]h'h' V'Y' a i gh'V'Y'i g'Y'hc' V'eb'Y'V'h'h'Y'W'W'Y' H'c'Y'bg' f'Y'Ub'Y'bc'i [ \g'd'U'W'Z'c'f'h'Y'd]d]Y'g' f'i bb]b[ 'Ub'X'h'Y'a U'W' ]b'Y' ]g'U[ U]b'g'h'Y' k U' U'Z'h'Y'f' ]b'g'U' ]h'h'c'b'z' ]g'f'Y'V'ea a Y'b'X'Y'X' hc' U'h'U'W' h'Y'X'f'U]b' \c'g'Y'hc' h'Y'f][ \h\UbX'g]XY'f'k \Y'b'm'ci N'Y'Z'U]b[ 'h'Y'V'U'W'c'Z'h'Y'i b]h'f'
- K \Y'b'W'c'c'g'Y' @Z'h\UbX'g]XY'c'f'F][ \h\UbX'g]XY'd]d]b[ z'd'Y'U'g'a U\_Y'g' f'Y'h'U'h'Y'd]d]Y'g' V'ea Y'ci h\c'f]n'c'b'U'm'g'c' U'g'b'c'h'hc' U'Z'Y'V'h'h'Y' 'ck' Y'f'd'U'b'Y' ]b'g'U'h'c'b"

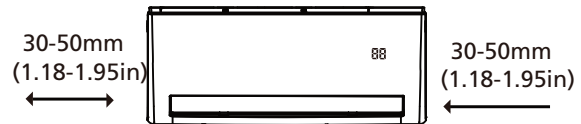
#### CAUTION

6'Y'Y'i h'f'Ya Y'm'W'f'Y'Z' 'b'c'h'hc' X'Y'b'h'c'f' X'U'a U[ Y'h'Y'd]d]b[ 'k \ ]Y'V'Y'b'X]b[ 'h'Ya 'U'k U'm'Z'f'ca 'h'Y'i b]h' '5'bm'X'Y'b'g' ]b'h'Y' d]d]b[ 'k ]' U'Z'Y'V'h'h'Y'i b]h'g' d'Y'f'Z'c'fa U'b'W'...

If refrigerant piping is already embedded in the wall, X'c'h'Y'Z'c'ck ]b[ .

#### Step 1: Hook the indoor unit on the mounting plate:

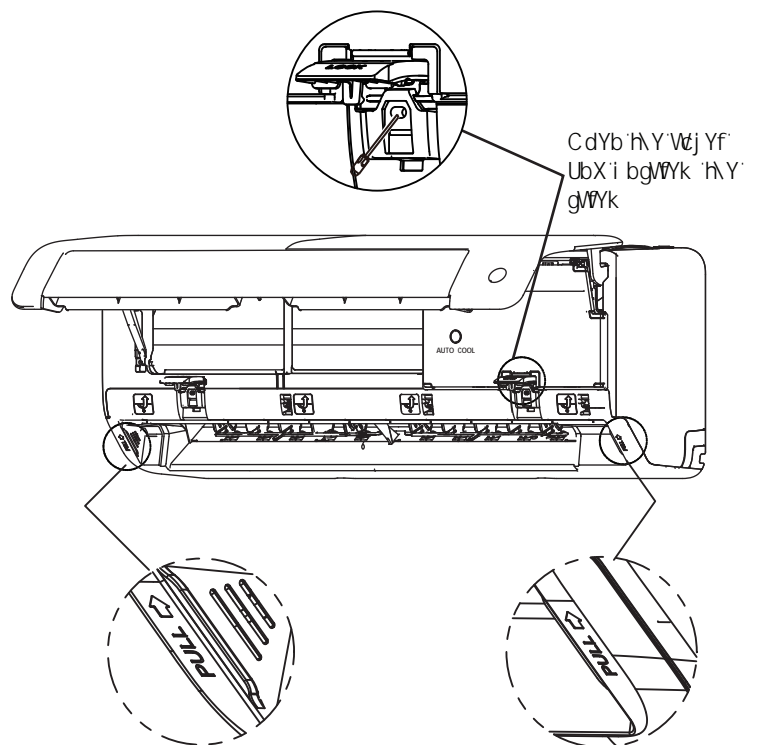
% ?Y'd' ]b'a ]b'X'h'U'h'h'Y' \c'c'g'c'b'h'Y'a ci bh]b[ 'd'U'F'Y' U'F'Y'g'a U'Y'f'h'U'b'h'Y' \c'Y'g'c'b'h'Y'V'U'W'c'Z'h'Y'i b]h' 'Z'nc'i 'Z]b'X'h'U'h'nc'i 'X'c'b'h'i \U'j'Y'U'a d'Y'f'c'ca 'hc' V'eb'Y'V'h' Y'a V'Y'X'X'Y'X'd]d]Y'g'hc' h'Y' ]b'X'c'c'f'i b]h'z'h'Y'i b]h'V'U'b'V'Y' U'X'g'h'Y'X'Z'h'c'f'f][ \h'V'm'U'V'c'i h' \$!) \$a a 'f'Y'!%- ) ]b'z' X'Y'd'Y'b'X]b[ 'c'b'h'Y'a c'X'Y"



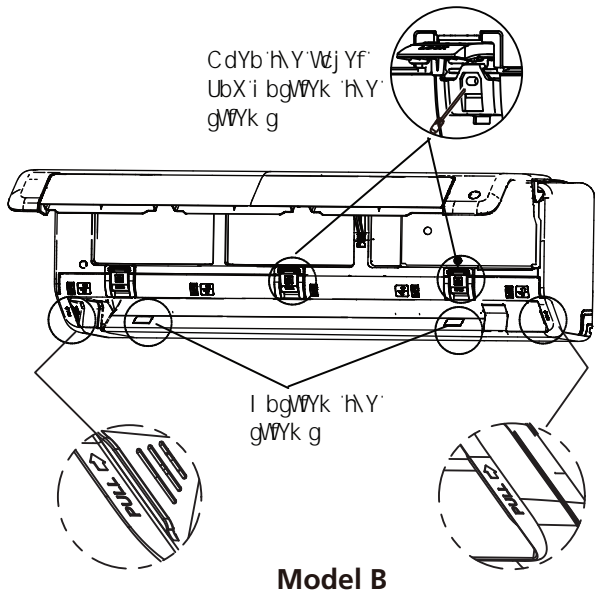
Move to left or right

#### Step 2: Prepare refrigerant piping:

% C'd'Y'b'Ub'X'Z]i 'h'Y'd'c'g]h]c'b'c'Z'h'Y'd'U'b'Y'z' h'Y'b'z'c'd'Y'b'h'Y'V'ej'Y'f'g'c'Z'h'Y'h'k c'c'W'V'c'W'g'z' i b'g'W'Y'k 'h'Y'g'W'Y'k 'g'c'k'Y'X' ]b'h'Y'd]M'i f'Y'V'Y'c'k z'h'Y'b' \c'X'V'ch' ]g]X'Y'g' c'Z'h'Y'c'k Y'f'd'U'b'Y' ]b'h'Y'd'U'W'a U'f\_Y'X' I' D'I @z'di ]h'i d'k U'f'X'g'hc' f'Y'Y'U'g'Y'h'Y' V'i W'Y'g'z'h'Y'b'h'U\_Y'h'Y'c'k Y'f'd'U'b'Y'X'c'k b"

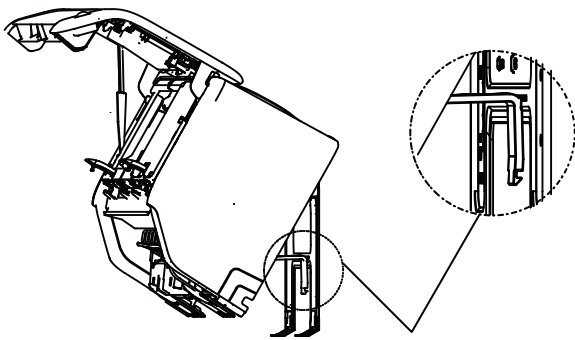


Model A



Model B

" I gY hY \c XYf Uh hY VUW cZ hY i b] hrc d fcd i d hY i b] hz [ j ] b [ mci Y bci [ \ fcca hc Veb bYV h hY fY Zf [ YfUbhd] d] b [ ž g [ bU VV Yž UbX XfU] b \ cgY"



Use the holder at the back of the unit against on the mounting plate to prop up the unit

**Step 3.** 7 cbb YV h XfU] b \ cgY UbX fY Zf [ YfUbhd] d] b [ ffYZf hc **Refrigerant Piping Connection** gV M] cb cZ h] g] a Ubi U Zcf ] b g f i V M] cb g

**Step 4.** ? Y Yd d] dY Veb bYV M] cb dc] bh Yl d c gY X hc d Yf Zfa hY YU\_ hY gh ffYZf hc **Electrical Checks and Leak Checks** gV M] cb cZ h] g] a Ubi U E

**Step 5.** 5 ZYf hY YU\_ hY gž k fUd hY Veb bYV M] cb dc] bh k ] h ] b g ] U h] cb hUd Y"

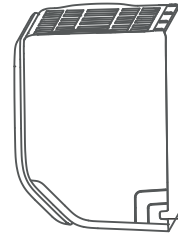
**Step 6.** FYa cj Y hY VfUW Y hcf k YX [ Y h U h] g] d fcd] b [ k ] h ] b g ] U h] cb hUd Y"

**Step 7.** I g] b [ Yj Yb d fY g g] fY ž di g Xck b cb hY Vch tca \ U ZcZ hY i b] h ? Y Yd di g] b [ Xck b i b] h hY i b] h g b d g c b h c hY \ c c\_ g Ucb [ hY Vch tca cZ hY a ci b] h] b [ d U hY"

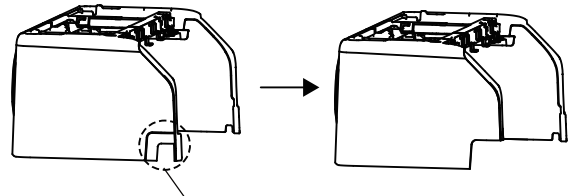
**If there is no refrigerant piping embedded in the wall, Xc hY Zc ck ] b [ .**

% 6 U gY X cb hY d c g] h] cb cZ hY k U \ c Y fY U h] Y hc hY a ci b] h] b [ d U hY Z V c c gY hY g] X Y Z fca k \ ] W hY d] d] b [ k ] Y ] h h Y i b] h"

& Z hY k U \ c Y ] g V Y \ ] b X h Y i b] h z\_ Y Yd hY \_bc W! ci hdUb Y ] b d U W" Z hY k U \ c Y ] g] hc hY g] X Y cZ hY ] b X c c f i b] h z fYa cj Y h Y d U g] W \_bc W! ci hdUb Y Z fca h U h g] X Y cZ hY i b] h f G Y Z [ i fY V Y c k E H ] g k ] V V U h Y U g c h h f c i [ \ k \ ] W mci f d] d] b [ V W b Y ] h h Y i b] h I gY b Y X Y b c gY d ] Y f g ] Z h Y d U g] W d U b Y ] g] h c X ] Z ] W h t c f Ya cj Y V m \ U b X"



Knock-out Panel (cut depending on the actual size needed)



If need to cut the big size plastic panel, cut as shown above.

" I gY gV M] c f g] hc W h Xck b hY Yb [ h cZ hY ] b g ] U h] b [ g Y Y ] hc fY YU\_ Wci h ( \$ a a % ) + ] b t cZ hY fY Zf [ YfUbhd] d] b [ " H ] g gY f j Y g h k c di d c gY g

- Hc ZU W] h U h hY **Refrigerant Piping Connection** d f c W g g
- Hc ZU W] h U ] Y **Gas Leak Checks** UbX Y b U V Y mci hc V W Y W Z c f X Y b h g

(" I gY hY \c XYf Uh hY VUW cZ hY i b] hrc d fcd i d hY i b] hz [ j ] b [ mci Y bci [ \ fcca hc Veb bYV h hY fY Zf [ YfUbhd] d] b [ ž g [ bU VV Yž UbX XfU] b \ cgY"

) " 7 cbb YV h hY ] b X c c f i b] h g ] fY Zf [ YfUbhd] d] b [ hc hY Veb bYV M] Y d] d] b [ h U h k ] c ] b h Y ] b X c c f U b X ci h X c c f i b] h g ] fY Zf hc hY **Refrigerant Piping Connection** gV M] cb cZ h] g] a Ubi U Zcf X Y h U ] Y X ] b g f i V M] cb g

\* " 6 U gY X cb hY d c g] h] cb cZ hY k U \ c Y fY U h] Y hc hY a ci b] h] b [ d U hY Z X Y h f a ] b Y h Y b Y W g g U f m U b [ Y c Z nci f d] d] b [ "

+ " ; f] d hY fY Zf [ YfUbhd] d] b [ U h h Y V U g Y cZ hY V Y b X " , " Gck m k ] h Yj Yb d fY g g] fY ž V Y b X h Y d] d] b [ hc k U f X g h Y \ c Y " **Do not** X Y b h c f X U a U ] Y h Y d] d] b [ Xi f] b [ h Y d f c W g g

### Step 5: Connect drain hose

6mXYZUj hZ hY XfUj b \cgY jg UHUMXYX hc hY YZU \UbX gjXY cZi b]hfk \Yb mci fY ZUMj b[ hY VUW cZ hY i b]hZ <ck Yj YZj hVUb UgV UHUMXYX hc hY f[ \h \UbX gjXY Hc Ybgj fy dfcdYf XfUj bU[ YZ UHUM hY XfUj b \cgY cb hY gUa Y gjXY hU hmc f fyZf[ YfUbhd]d]b[ YI hg hY i b]h

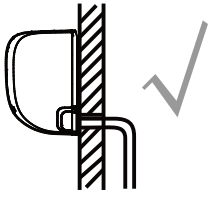
**NOTE:** b gca Y cW hcbg cZi Gz Z hY a UW j bY \Ug j b gU YX hY VebXi jhdUb YZ d YUgY VccgY f[ \h \UbX gjXY XfUj bU[ Y

- K fUd hY VebbYV hcb dc]bh Zfa mik jh HYZcb hUdY hc Ybgj fy U[ ccX gY U \UbX hc dfYj Ybh YU\_g
- FYa cj Y hY Uj f U hY f UbX dci f Uga U Ua ci bh cZk U hY f] bhc hY XfUj b dUb hc a U\_Y gj fy hU h k U hY f Uck gZfca hY i b]higa cch h

### NOTE ON DRAIN HOSE PLACEMENT

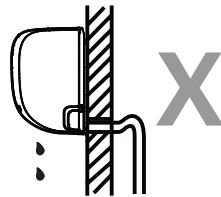
A U\_Y gj fy hc UffUb[ Y hY XfUj b \cgY UW fX]b[ hc hY Zc ck b] Z[ i fyg

- ⊘ **DO NOT** b hY XfUj b \cgY
- ⊘ **DO NOT** VYU hY U k U hY f fUd
- ⊘ **DO NOT** di h hY YbX cZ XfUj b \cgY j b k U hY f cf U VebhUj bYf hU h k j Veb YV h k U hY f



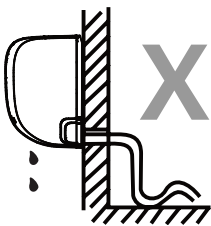
CORRECT

A U\_Y gj fy hY Yf UfY bc \_]b\_g cf XYbh]b XfUj b \cgY hc Ybgj fy dfcdYf XfUj bU[ Y



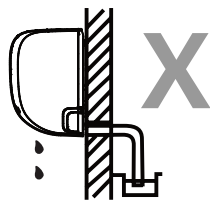
NOT CORRECT

? ]b\_g]b hY XfUj b \cgY k j VYU hY k U hY f fUd g



NOT CORRECT

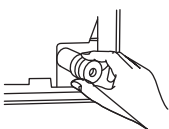
? ]b\_g]b hY XfUj b \cgY k j VYU hY k U hY f fUd g



NOT CORRECT

8c bchd UW hY YbX cZ hY XfUj b \cgY j b k U hY f cf j b VebhUj bYfg hU hVeb YV h k U hY f H j g k j dfYj YbhdfcdYf XfUj bU[ Y

### PLUG THE UNUSED DRAIN HOLE



Hc dfYj Ybhi bk UbhYX YU\_g mci a i gh d i [ hY i bi gYX XfUj b \c Y k jh hY fi VYf d i [ dfcj ]XYX

### BEFORE PERFORMING ANY ELECTRICAL WORK, READ THESE REGULATIONS

% 5 k j f] b[ a i gh Veb a d mk jh cW \UbX bU h]cb U Y YV h]W Veb X Y gZ fy i U h]cb g]Ub X a i gh VY j b gU YX Vm U W b gY X Y YV h]W U b

& 5 Y YV h]W Veb b Y V h]cb g a i gh VY a U X Y U W f X] b] hc hY 9 Y V h]W 7 cbb Y V h]cb 8]U[ fUa cW hY X cb hY dUb Y g cZ hY j b X c f Ub X ci h X c f i b] h g

" Z hY Yf j g U g Y f] c i g g U Z Y m] g g Y k jh hY dck Yf g j dd m g h c d k c f \_]a a Y X] U hY m] 9 d U] b mci f fy U g c b] b[ hc hY V Y b h Z Ub X fy Z g Y hc j b g U h Y i b] h i b] h h Y g U Z Y m] g g Y j g d f c d Y f m f Y g c j Y X (" Dck Yf j c h U[ Y g c i X V Y k jh] b - \$!%&\$ i cZ fU hY X j c h U[ Y b g Z V Y b h d c k Yf g j dd m VUb W U i g Y a U Z b V h]cb Z Y Y V h]W g c W Z c f Z f Y

) " Z Veb b Y V h] b] dck Yf hc Z j Y X k j f] b[ Z U g f[ Y dfch V h c f Ub X a U] b dck Yf g k j h W g c i X V Y j b g U Y X

\* " Z Veb b Y V h] b] dck Yf hc Z j Y X k j f] b[ Z U g k j h W c f V V W j h V f Y U Yf h U h X j g Veb b Y V h] U dc Y g Ub X \Ug U Veb h U h] g Y d U f U h] c b c Z U h Y U g h % # j b f l a a t a i gh VY j b Veb f d c f U h Y X j b h Y Z j Y X k j f] b[ " h Y ei U] Z j Y X h Y V b] W U b a i gh i g Y Ub U d d f c j Y X V V W j h V f Y U Yf c f g k j h W

+ " C b m Veb b Y V h] h Y i b] h hc Ub j b X j] X i U V f Ub W V V W j h c i h Y h 8c bch Veb b Y V h] Ub ch Y f U d d] Ub W hc h U h c i h Y h

, " A U\_Y gj fy hc dfcdYf m[ f c i b X h Y U j f Veb X] h] c b Y f

- " g Y f m k j f Y a i gh VY Z j f a m Veb b Y V h] X @ c g Y k j f] b[ WUb W U i g Y h Y h Y f a j b U hc c j Y f U h Z f Y g h] b[ j b d f c X i V h a U Z b V h]cb Ub X d c g g] V Y Z j f Y % \$ 8c bch Y h k j f Y g h c i W c f f Y g h U U] b g h f Y Z f] Y f Ub h i V] b[ Z h Y Veb a d f Y g g c f z c f U b m a c j] b[ d U f h g k jh] b h Y i b] h

% % " Z h Y i b] h \Ug Ub U i ] j] U f m Y V h] W Y U h Y f z] h a i gh VY j b g U Y X U h Y U g h % a Y h Y f f( \$] b E U k U m Z f c a U b m Veb a V i g h V Y a U h Y f U g

% & " Hc U j c] X [ Y h] b[ Ub Y Y V h] W g c W Z b Y j Yf h c i W h Y Y Y V h] W Veb a d c b Y b h g g c b U Z h Y f h Y dck Yf g j dd m \Ug V Y Y b h i f b Y X c Z Z 5 Z h Y f h i f b] b[ c Z h Y dck Yf Z U k U h g k U] h % \$ a j b i h Y g c f a c f Y V Y Z c f Y m e i h c i W h Y Y Y V h] W Veb a d c b Y b h g

### WARNING

**BEFORE PERFORMING ANY ELECTRICAL OR WIRING WORK, TURN OFF THE MAIN POWER TO THE SYSTEM.**



## Step 6: Connect signal and power cables

hAY gj[ bU WUVY YbUV Yg Vta a i b] WUhc b VYhk YYb' hAY ]bXccf UbX' ci hXccf i b] hg' Mti 'a i ghUfgh WccgY hAY f] [ \h WUVY gjnY VYZcfY dFYdUf] b [ ]hZcf VtbbYV]cb"

### Cable Types

- **Indoor Power Cable** f]Z Udd ]WUVYk <\$) J J! : 'cf <\$) J & J &!
- **Outdoor Power Cable:** <\$+FB! : 'cf <\$) FB! :
- **Signal Cable:** <\$+FB! :

**NOTE:** Bcfh' 5a Yf] WUz WccgY hAY WUVY' maly UWtfx] b [ 'hc hAY 'cWY YVWf] W VtXYg UbX' fY [ i 'Uhc b g'

### Minimum Cross-Sectional Area of Power and Signal Cables (For reference) (Not applicable for North America)

Rated Current of Appliance (A)	Nominal Cross-Sectional Area (mm <sup>2</sup> )
2' UbX' ≤ *	\$"+)
2 *' UbX' ≤ %\$	%
2 %\$' UbX' ≤ %*	%)
2 %*' UbX' ≤ &)	&")
2 &)' UbX' ≤ " &	(
2' &' UbX' ≤ (\$	*

### CHOOSE THE RIGHT CABLE SIZE

hAY glnY cZ hAY dck Yf' g' dd' mWUVYž gj[ bU' WUVYž Z' gYž UbX' gk ]hW' bYXYX ]gXYhYfa ]bYX' VmhY'a U ]a i a 'W ffYbhicZ hAY i b]h' hAY' a U ]a i a 'W ffYbh ]g ]bX] WU hYX' cb' hAY bUa Yd' U hY' 'cWU hYX' cb' hAY gjXY dUbY' cZ hAY i b]h' FYZf' hc' h ]g bUa Yd' U hY' hc' WccgY hAY f] [ \h WUVYž Z' gYž cf' gk ]hW"

**NOTE:** Bcfh' 5a Yf] WUz d' YUgY WccgY hAY f] [ \h WUVY gjnY UWtfx] b [ 'hc hAY A ]b] a i a 7 ]fW ]h 5a dUW ]m] bX] WU hYX' cb' hAY bUa Yd' U hY' cZ hAY i b]h'

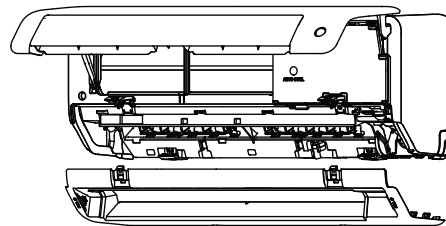
% C dYb UbX' Z] hAY d c g] h] c b' cZ hAY dUbYž hAY bž' cdYb hAY Vtj Yfg' cZ hAY h'k c' cW V' cW gž' i bgWYk hAY gWYk ž' hAY b' \c' X Vch' g] XYg' cZ hAY 'ck Yf' dUbY' ]b hAY d' U W a Uf\_YX' Í D] @ ž di ' ]h i dk UfXg' hc' fY YUgY hAY Vi W\_Ygž hAY b' hU\_Y' hAY 'ck Yf' dUbY' Xck b f' d' YUgY fY Zf' hc' DU [ Y & & ! & ' E' & C dYb hAY k ]fY Vcl' Vtj Yf' hc' VtbbYV hAY WUVY' ' " I bgWYk hAY WUVY WUa d VY' ck hAY hYfa ]bU V' cW UbX' d' U W ]h' hc' hAY g] XY"

(" : UW] b [ 'hAY VUW cZ hAY i b] hž' fYa c j Y hAY d' U g] W dUbY' cb' hAY Vch' ca ' YZ h' \ UbX' g] XY"

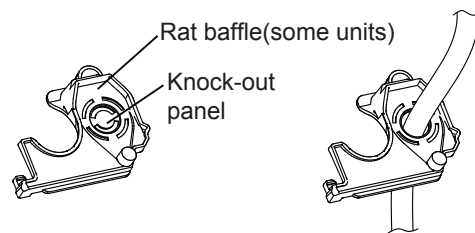
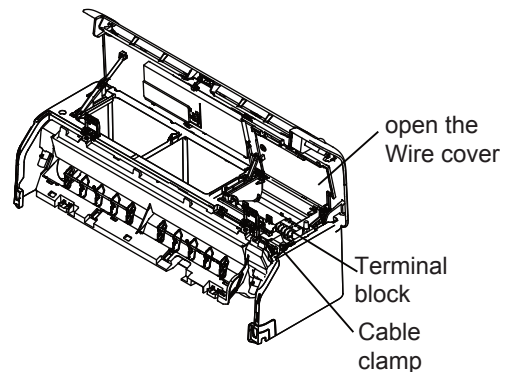
## ! WARNING

**ALL WIRING MUST BE PERFORMED STRICTLY IN ACCORDANCE WITH THE WIRING DIAGRAM LOCATED ON THE BACK OF THE INDOOR UNIT'S FRONT PANEL .**

) " : YX hAY gj[ bU' k ]fY h' fci [ \ h ]g' g' c hž Zfca hAY VUW cZ hAY i b] h' hc' hAY Zfcbh' \* " : UW] b [ 'hAY ZfcbhcZ hAY i b] hž VtbbYV hAY k ]fY UWtfx] b [ 'hc hAY ]bXccf i b] hž g' k ]f] b [ 'X] U fUa ž VtbbYV hAY i ! i [ 'UbX' Z] fa ' mgWYk ' YUW ' k ]fY hc' ]hg' VtffYg dcbX] b [ 'hYfa ]bU"



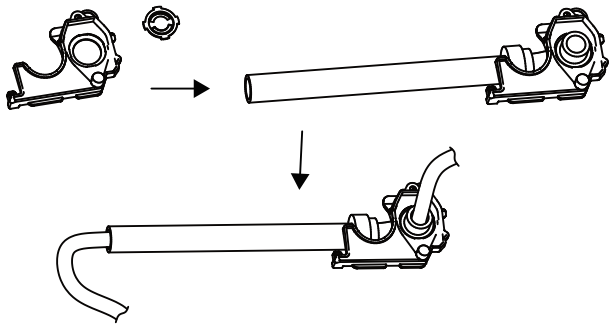
First open the front panel, then remove the lower panel.



**NOTE:** If the size of the cable is too big, remove the middle small plastic knock-out panel to create a slot through which the cable can exit. If you want to remove the chassis or drain hose, please remove the rat baffle first.

### In North America

: ]fgh' fYa c j Y hAY ' \_bc\_ ! ci h' dUbY' hc' WYU hY' U g' ch' h' fci [ \ k \ ] W hAY ' Vt bX i ]h h VY WU b ]bg hU' hAY b' a U\_Y' hAY WUVY h' fci [ \ hAY Vt bX i ]h h VY UbX VtbbYV hc' hAY ]bXccf i b] h'



### ⚠ CAUTION

#### DO NOT MIX UP LIVE AND NULL WIRES

Հայցից չպետք է խառնել լուծված և ցրտահարմար թելերը:

- + " Տեղի վրա չպետք է խառնել լուծված և ցրտահարմար թելերը:
- " Բնակարանի մեջ չպետք է խառնել լուծված և ցրտահարմար թելերը:

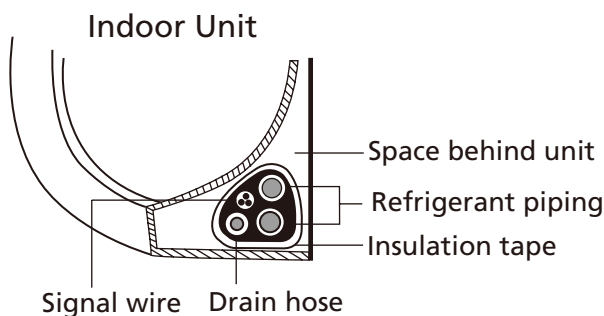
### ! NOTE ABOUT WIRING

**THE WIRING CONNECTION PROCESS MAY DIFFER SLIGHTLY BETWEEN UNITS AND REGIONS.**

#### Step 7: Wrapping and cables

Ճշգրտե՛ք միջանցքի մեջ թելերի և ցրտահարմար թելերի դիրքը և ապահովե՛ք լուծված և ցրտահարմար թելերի մեջ իրարից հեռավորություն:

- % ճշգրտե՛ք լուծված և ցրտահարմար թելերի դիրքը և ապահովե՛ք լուծված և ցրտահարմար թելերի մեջ իրարից հեռավորություն:



#### DRAIN HOSE MUST BE ON BOTTOM

Ապահովե՛ք լուծված և ցրտահարմար թելերի մեջ իրարից հեռավորություն:

### DO NOT INTERTWINE SIGNAL CABLE WITH OTHER WIRES

Չպետք է խառնել լուծված և ցրտահարմար թելերը:

- &" Լուծված և ցրտահարմար թելերը չպետք է խառնել:
- " Լուծված և ցրտահարմար թելերը չպետք է խառնել:

### DO NOT WRAP ENDS OF PIPING

Չպետք է խառնել լուծված և ցրտահարմար թելերը:

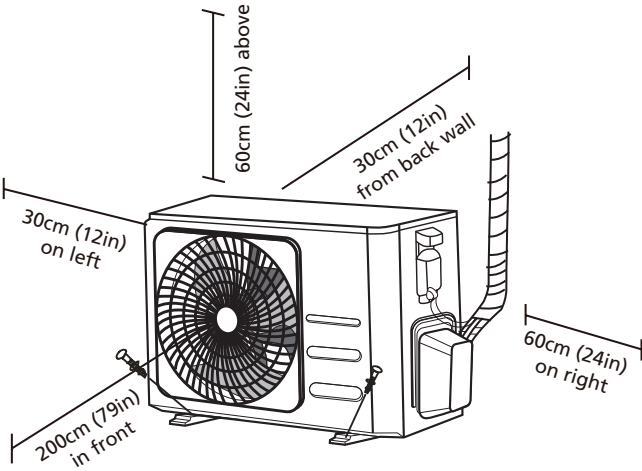
#### Step 8: Mount indoor unit

**If you installed new connective piping to the outdoor unit,** չպետք է խառնել լուծված և ցրտահարմար թելերը:

- % ճշգրտե՛ք լուծված և ցրտահարմար թելերի դիրքը և ապահովե՛ք լուծված և ցրտահարմար թելերի մեջ իրարից հեռավորություն:
- &" Ընտրե՛ք լուծված և ցրտահարմար թելերի դիրքը և ապահովե՛ք լուծված և ցրտահարմար թելերի մեջ իրարից հեռավորություն:
- " Ընտրե՛ք լուծված և ցրտահարմար թելերի դիրքը և ապահովե՛ք լուծված և ցրտահարմար թելերի մեջ իրարից հեռավորություն:
- ( " <cc\_ լուծված և ցրտահարմար թելերի դիրքը և ապահովե՛ք լուծված և ցրտահարմար թելերի մեջ իրարից հեռավորություն:
- ) " Ընտրե՛ք լուծված և ցրտահարմար թելերի դիրքը և ապահովե՛ք լուծված և ցրտահարմար թելերի մեջ իրարից հեռավորություն:
- \*" Լուծված և ցրտահարմար թելերը չպետք է խառնել:
- + " Ընտրե՛ք լուծված և ցրտահարմար թելերի դիրքը և ապահովե՛ք լուծված և ցրտահարմար թելերի մեջ իրարից հեռավորություն:

# Outdoor Unit Installation

⚠️ **DO NOT** install unit in the following locations:



## DO NOT install unit in the following locations:

- ⊗ **DO NOT** install unit in the following locations:
- ⊗ **DO NOT** install unit in the following locations:
- ⊗ **DO NOT** install unit in the following locations:
- ⊗ **DO NOT** install unit in the following locations:
- ⊗ **DO NOT** install unit in the following locations:
- ⊗ **DO NOT** install unit in the following locations:

## Installation Instructions – Outdoor unit

### Step 1: Select installation location

6YzcFY ]bgU`b[ `h`Y`ci hXccf`i b]h`z`nci `a i gh`  
 V`ccg`Y`Ub`Uddfcdf]UHY`c`V`h]cb`"H`Y`Z`c`k`b[ `U`F`  
 gh`Ub`X`U`f`X`g`h`U`h`k` ]`"Y`d`nci` V`ccg`Y`Ub`Uddfcdf]UHY`  
 `c`V`h]cb`Z`c`f`h`Y`i`b]h`"

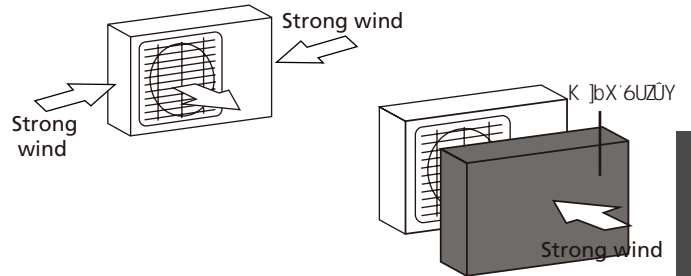
### Proper installation locations meet the following standards:

- A Yrhg`U`gd`U`h]U`f`Yei ]f`Ya`Y`bh`g`g`c`k`b`]b`  
 ⚠️ **DO NOT** install unit in the following locations:
- ; ccX`U`f`V`f`W`U`h]cb`Ub`X`j`Y`bh]U`h]cb`
- : ]fa`Ub`X`g`c`]X`I` h`Y`c`V`h]cb`V`b`g`d`d`c`f`h`h`Y`  
 i`b]h]Ub`X`k` ]`"b`ch]j`]V`f`U`H`Y`
- Bc]g`Y`Z`f`ca`h`Y`i`b]h`k` ]`"b`ch]X`g`h`f`V`c`h`Y`f`g`
- D`f`c`h`V`h]X`Z`f`ca`d`f`c`b[ ]X`d`Y`f`c`X`g`c`Z`X`]f`Y`V`h`  
 g`b`]`[ `h`c`f`f`U`]b`
- K` \`Y`f`Y`g`b`c`k`Z`U`" ]g`Ub`h]V`d`U`H`Y`X`z`h`U`\_`Y`  
 Uddfcdf]UHY`a`Y`U`g`f`Y`g`h`c`d`f`Y`j`Y`bh]W`  
 Vi` ]`X`i`d`Ub`X`V`z`]`X`U`a`U`]`Y`"

## SPECIAL CONSIDERATIONS FOR EXTREME WEATHER

### If the unit is exposed to heavy wind:

⚠️ **DO NOT** install unit in the following locations:



### If the unit is frequently exposed to heavy rain or snow:

⚠️ **DO NOT** install unit in the following locations:

### If the unit is frequently exposed to salty air (seaside):

⚠️ **DO NOT** install unit in the following locations:

**Step 2: Install drain joint(Heat pump unit only)**

6YzcFY Vc'h]b[ 'hY'ci hXccfi b]h]b d'UWZmci 'a i gh ]bgU' hY'XfU]b' e]bhUh'hY Vc'fca 'cZ'hY'i b]h' BchY' h.Uh'hYFY UFY'k c'X]ZYfYbhi'malYg'cZ'XfU]b' e]bhg'XYdYbX]b[ 'cb'hY'hdalY'cZ'ci hXccfi b]h'

**If the drain joint comes with a rubber seal**

Fig. A

1. Jh'hY'fi VVYf'gyU'cb'hY'YbX'cZ'hY'XfU]b' e]bh h.Uh'k ]'Vc'bbYV'hc'hY'ci hXccfi b]h'

2. Insert the drain joint into the hole in the base dUb'cZ'hY'i b]h'

3. Fc'hU'hY'hY'XfU]b' e]bh- \$s'i bh' ]hW]Wg]b d'UW ZU]b[ 'hY'ZfcbhcZ'hY'i b]h'

4. 7cbbYV'hU'XfU]b' \cgY'YI hYbgjcb'fbch]bW'XYXk hc'hY'XfU]b' e]bhhc'fYX]fYV'hk UHYf'Zca 'hY i b]h'Xi f]b[ '\YU]b[ 'a cXY"

**If the drain joint doesn't come with a rubber seal**

Fig. B

1. a]gyf'h'hY'XfU]b' e]bh]bhc'hY'\c'Y]b' hY'VUgy dUb'cZ'hY'i b]h' hY'XfU]b' e]bhk ]'VW]b d'UW"

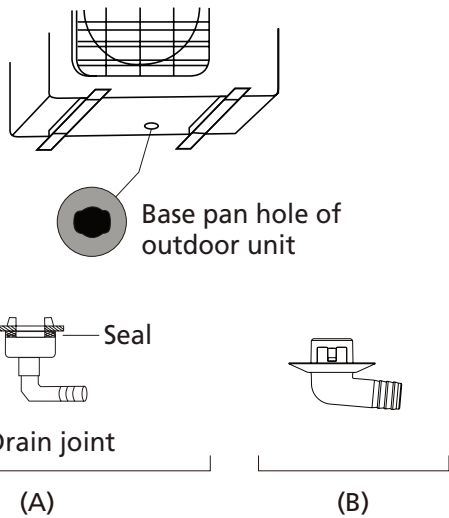
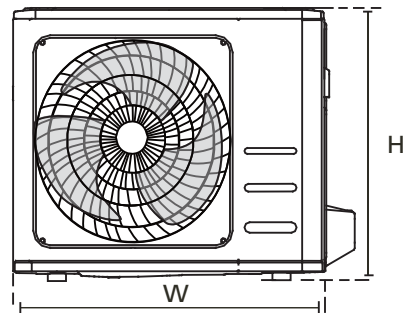
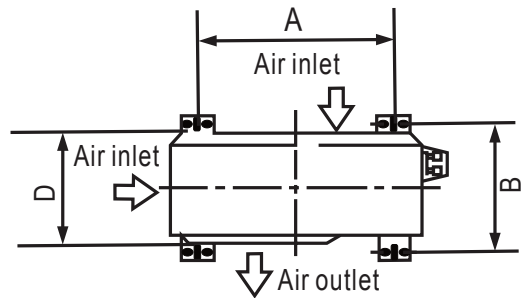
2. 7cbbYV'hU'XfU]b' \cgY'YI hYbgjcb'fbch]bW'XYXk hc'hY'XfU]b' e]bhhc'fYX]fYV'hk UHYf'Zca 'hY i b]h'Xi f]b[ '\YU]b[ 'a cXY"

**Step 3: Anchor outdoor unit**

H.Y'ci hXccfi b]h]W]b VY'UbV'cfYX'hc'hY' [ fci bX'cf'hc'U'k U'!a ci bhYX'VfUW'Y'hk ]h' Vc'hfA %\$E' DFYdUFY hY' ]bgU'Uh]cb'VUgy'cZ'hY' i b]h]UWd'fX]b[ 'hc'hY'X]a Ybgjcbg'VY'ck "

**UNIT MOUNTING DIMENSIONS**

H.Y'Zc'ck ]b[ 'jgU'g]hcZ'X]ZYfYbhc'i hXccfi i b]h]g]nYg'UbX'hY'X]g]h]bW'VY'k Yyb'hY'f' a ci bh]b[ 'ZY'f' DFYdUFY'hY' ]bgU'Uh]cb'VUgy' cZ'hY'i b]h]UWd'fX]b[ 'hc'hY'X]a Ybgjcbg'VY'ck "



Outdoor Unit Installation

**! IN COLD CLIMATES**

1. Vc'X'W]a UHYg'z a U\_Y'g' fY'h.Uh'hY'XfU]b' \cgY' ]g'Ug'j Yfh]W' Ug'dcgg]V'Y'hc'Ybg' fY'gk ]Zh'k UHYf' XfU]b]b[ 'Y' Z'k UHYf'XfU]bg'hcc'g'ck 'rã ]h]W]b' Z'YYnY' ]b' hY'\cgY'UbX'ZccX' hY'i b]h'

Outdoor Unit Dimensions (mm)	Mounting Dimensions	
	W x H x D	Distance A (mm)
* , 9d ( ' ( l & , ) ' f&* " , ' l ' % + " % d l ' % % & ' l ' t	( * \$ ' f% " % d l ' t	& - & ' f% % ) ' l ' t
+ \$ \$ l ) ) \$ l & + \$ ' f& + " ) ' l ' & % " * ' l ' ' % \$ " * ' l ' t	( ) \$ ' f% + " + ' l ' t	& * \$ ' f% \$ " & ' l ' t
+ \$ \$ l ) ) \$ l & + ) ' f& + " ) ' l ' & % " * ' l ' ' % \$ " , ' l ' t	( ) \$ ' f% + " + ' l ' t	& * \$ ' f% \$ " & ' l ' t
+ & \$ l ( - ) l & + \$ ' f& , " ' l ' ' % - " ) ' l ' ' % \$ " * ' l ' t	( ) & ' f% + " , ' l ' t	& ) ) ' f% \$ " \$ ' l ' t
+ & , l ) ) ) l ' \$ \$ ' f& , " + ' l ' ' & % , ' l ' ' % % , ' l ' t	( ) & ' f% + " , ' l ' t	' \$ & f% % - ' l ' t
+ * ) l ) ) ) l ' \$ ' ' f l \$ " % d l ' & % , ' l ' ' % % - ' l ' t	( ) & ' f% + " , ' l ' t	& , * f% % " ' l ' t
+ + \$ l ) ) ) l ' \$ \$ ' f l \$ " ' l ' ' & % , ' l ' ' % % , ' l ' t	( , + f% - " & ' l ' t	& - , ' f% % + ' l ' t
, \$ l ) ) ( l ' ' \$ ' f l + " + ' l ' ' & % , ' l ' ' % & - ' l ' t	) % % f& \$ " % d l ' t	' % + ' f% & " ) ' l ' t
, \$ \$ l ) ) ( l ' ' ' ' f l % ) ' l ' ' & % , ' l ' ' % " % d l ' t	) % ( ' f& \$ " & ' l ' t	' ( \$ ' f% " ( ' l ' t
, ( ) l + \$ & l ' * ' ' f l ' " ' l ' ' & + " * ' l ' ' % ( " ' l ' t	) ( \$ ' f& % " ' l ' t	' ) \$ ' f% " , ' l ' t
, - \$ l * + ' l ' ( & f l ) " \$ ' l ' & * " ) ' l ' ' % " ) ' l ' t	* * ' ' f& * " % d l ' t	' ) ( ' f% - ' l ' t
- ( * l , % \$ l ( & \$ ' l + " & ' l ' ' % - ' l ' ' % * " ) ' l ' t	* + ' ' f& * " ) ' l ' t	( \$ ' ' f% ) - ' l ' t
- ( * l , % \$ l ( % \$ ' l + " & ' l ' ' % - ' l ' ' % * " % d l ' t	* + ' ' f& * " ) ' l ' t	( \$ ' ' f% ) - ' l ' t

**If you will install the unit on the ground or on a concrete mounting platform**

- A Uf\_ h\Y'dcgl]h]cbgZcfZci f'Yl dUbg]cb Vc`hg VUgYX`cb`X]a Ybg]cbgV\Ufh"
- &" DFY!Xf]`c`YgZcf`h\Y`Yl dUbg]cb Vc`hg'
- ' " D'UW`U`bi h'cb`h\Y`YbX`cZYUW`Yl dUbg]cb Vc`h'
- (" <Ua a Yf'Yl dUbg]cb Vc`hg]bhc`h\Y`dfY!Xf]`YX`c`Yg'
- ) " FYa cj Y`h\Y`bi hgZfca`Yl dUbg]cb Vc`hgZ`UbX`d'UW`ci hXccfi b]h'cb Vc`hg'
- \* " Di h'k Ug\Yf`cb`YUW`Yl dUbg]cb Vc`hZ`h\Yb`fYd'UW`h\Y`bi hg'
- + " l g]b[ `U`k fYbV\Z`h[ \hYb`YUW`bi hi bh]`gbi [ "

**⚠ WARNING**

**WHEN DRILLING INTO CONCRETE, EYE PROTECTION IS RECOMMENDED AT ALL TIMES.**

**If you will install the unit on a wall-mounted bracket**

**⚠ CAUTION**

A U`Y`g fY`h`Uh`h`Y`k`U``]g`a`UXY`c`Z`gc`X`Vf]WZ`Vt`b`VfY`h`Z`c`f`c`Z`g]a`]Uf`m`g`f`c`b`[`a`U`h`f]U`" **The wall must be able to support at least four times the weight of the unit.**

- A Uf\_ h\Y'dcgl]h]cb`c`Z`VfUW`Yh`c`Yg`VUgYX`cb`X]a`Ybg]cbgV\Ufh"
- &" DFY!Xf]`h\Y`c`YgZcf`h\Y`Yl dUbg]cb Vc`hg'
- ' " D'UW`U`k Ug\Yf`UbX`bi h'cb`h\Y`YbX`cZYUW`Yl dUbg]cb Vc`h'
- (" H`f`Y`U`X`Yl dUbg]cb Vc`hg`h`f`ci`[`\`c`Yg]b`a`ci`bh]b[ `VfUW`YhgZ`di`h`a`ci`bh]b[ `VfUW`Yhg]b`dcgl]h]cbZ`UbX`\Ua`a`Yf'Yl dUbg]cb Vc`hg]bhc`h\Y`k`U`"
- ) " 7\YW`h`Uh`h`Y`a`ci`bh]b[ `VfUW`Yhg`UfY`Yj`Y`"
- \* " 7UfYZ`m]Zhi`b]h`UbX`d'UW`]hg'a`ci`bh]b[ `ZYH`cb`VfUW`Yhg'
- + " 6c`h`h`Y`i`b]h`Z]fa`mhc`h\Y`VfUW`Yhg'
- , " Z`U`ck`YXZ`]bgU`h\Y`i`b]h`k`]h`fi`VfYf`[`Ug`Yhg]hc`fYXi`W`j`]VfU]h]cbg`UbX`bc]gY`"

Outdoor Unit Installation

### Step 4: Connect signal and power cables

hY'ci hgjXY'i b]hg]hYfa ]bU'V'cW' ]g'dfchVW'X'Vm  
Ub'Y'VW'W'k ]f]b[ 'V'j Yf'cb'h'Y'g]XY'cZ'h'Y'i b]h'  
5'V'a dF'Y'Ybgj]Y'k ]f]b[ 'X]U[ fUa ]'g'df]bh'X'cb'  
h'Y' ]bg]XY'cZ'h'Y'k ]f]b[ 'V'j Yf'



### WARNING

**BEFORE PERFORMING ANY ELECTRICAL OR WIRING WORK, TURN OFF THE MAIN POWER TO THE SYSTEM.**

%' dFydUFY'h'Y'VW'Y'Zc'f'V'bbYV]cb.

### USE THE RIGHT CABLE

D'YUg' V'ccg'Y'h'Y'f] [ \h'VW'Y'fYZf'hc  
'I' Cable types' ]b'dU[ Y'&)"

### CHOOSE THE RIGHT CABLE SIZE

h'Y'g]h'Y'cZ'h'Y'dck Yf'g dd'm'VW'Y'Z'g] bU'VW'Y'Z'  
Z'gY'Z'UbX'gk ]h'X'b'Y'Y'X' ]g'X'Y'h'fa ]b'Y'X'V'm'h'Y'  
a U] ]a i a 'W'ffY'bh'cZ'h'Y'i b]h' h'Y'a U] ]a i a '  
W'ffY'bh'g] ]b'X'W'h'X'cb'h'Y'b'Ua Yd'U'h' 'c'W'h'X'  
cb'h'Y'g]XY'd'Ub'Y'cZ'h'Y'i b]h' "

**NOTE:** 'B'c'f'h' '5a Yf]W'Z'd'Y'Ug' V'ccg'Y'h'Y'f] [ \h'  
VW'Y'g]h'Y'UW'f'X]b[ 'hc'h'Y'A ]b]a i a '7]f'W]h'  
5a dU]V]m]b]X]W'h'X'cb'h'Y'b'Ua Yd'U'h'cZ'h'Y'i b]h' "

U' I' g]b[ 'k ]f]Y'g]f]dd'Y'f'g'z'g]f]d'h'Y'fi VV'Yf'  
'U'V'Y'h'Z'f'ca 'V'ch' Y'b'X'g'c'Z'W'V'Y'hc'f'Y' YU'  
U'V'ci h( \$a a 'f%) +]b'c'Z'h'Y'k ]f]Y'g] ]bg]XY'  
V' G]f]d'h'Y' ]bg' 'U'h]cb'Z'f'ca 'h'Y'Y'b'X'g'c'Z'h'Y'k ]f]Y'g'  
W' I' g]b[ 'U'k ]f]Y'V]a d'Y'f'z'V]a d'i'!'i [ 'g'cb'h'Y'  
Y'b'X'g'c'Z'h'Y'k ]f]Y'g'

### PAY ATTENTION TO LIVE WIRE

K \]Y'V]a d]b[ 'k ]f]Y'g'z'a U'Y'g' f'Y'm'ci 'W'U'f'm'  
X]g]b[ i ]g' h'Y'@]Y'f]i @'E'k ]f]Y'Z'f'ca 'ch'Y'f'k ]f]Y'g'

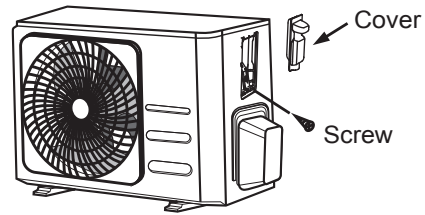


### WARNING

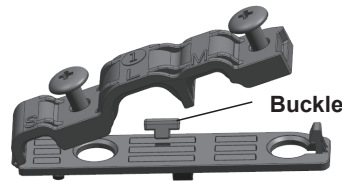
**ALL WIRING WORK MUST BE PERFORMED STRICTLY IN ACCORDANCE WITH THE WIRING DIAGRAM LOCATED INSIDE OF WIRE COVER OF THE OUTDOOR UNIT .**

&' I' bg]V'Y'k 'h'Y'Y'V'W'W'k ]f]b[ 'V'j Yf'UbX'f'Ya c]Y' ]h'  
'" I' bg]V'Y'k 'h'Y'VW'Y'W'Ua d'V'Y'c'k 'h'Y'h'Y'fa ]bU'  
V'c'W' UbX'd'U'W' ]h'hc' h'Y'g]XY'"  
( " 7'cb'Y'V'h'Y'k ]f]Y'U'W'f'X]b[ 'hc'h'Y'k ]f]b[  
X]U[ fUa z'UbX'Z]fa 'm'g]V'Y'k 'h'Y'i'!'i [ 'c'Z'Y'U'W'  
k ]f]Y'hc' ]h'g'V'f'f'Y'g'd'c'X]b[ 'h'Y'fa ]bU'"  
) " 5'Z'h'f'W'Y'W]b[ 'hc'a U'Y'g' f'Y'Y'f'm'V'bb'Y'V]cb ]g'  
g'Y'W'f'Y'z'c'cd'h'Y'k ]f]Y'g'U'f'ci b'X'hc' d'f'Y'j Y'bh'f]U]b'  
k U'h'f'Z'f'ca 'Z'ck ]b[ ]b'hc' h'Y'h'Y'fa ]bU'"  
\*" I' g]b[ 'h'Y'VW'Y'W'Ua d'Z'U'g]h'b' h'Y'VW'Y'hc' h'Y'  
i b]h'G'V'Y'k 'h'Y'VW'Y'W'Ua d'X'ck b'h] [ \h'ih'

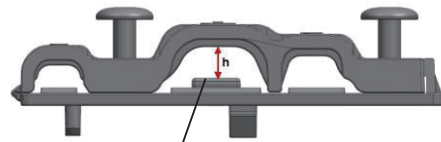
+ " 'bg' 'U'h'Y'i bi g'Y'X'k ]f]Y'g'k ]h' 'DJ 7'Y'V'W'W'U'f'U'd'Y'  
5'ff'Ub[ Y'h'Ya 'gc' h'U'h'h'Y'm'X'c' b'ch'hc'i W' U'bm  
Y'V'W'W'U'f'c'f'a Y'h'U' d'U'f'hg'  
, " F'Y'd'U'W' h'Y'k ]f]Y'V'j Yf'cb'h'Y'g]XY'cZ'h'Y'i b]h'z'  
UbX'g]V'Y'k ]h]b'd'U'W'"



**NOTE:** Z'h'Y'VW'Y'W'Ua d'cc'g' ]Y'h'Y'Zc'ck ]b[ z'  
d'Y'U'g'g'Y'V'h'Y'U'd'd'f'c'd'f]U'h'f'ci [ \! \c'Y'U'W'f'X]b[ '  
hc'h'Y'X]Ua Y'h'f'cZ'h'Y'k ]f]Y'"



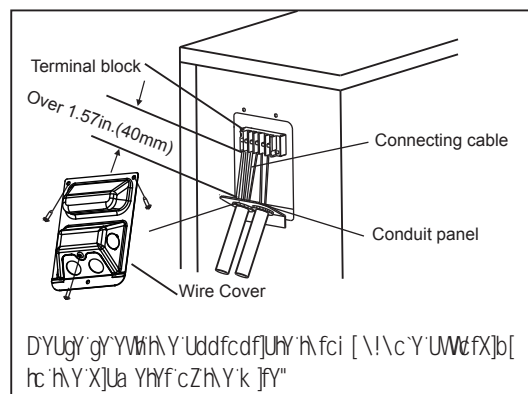
Three size hole: Small, Large, Medium



When the cable is not fasten enough, use the buckle to prop it up, so it can be clamped tightly.

### In North America

%' F'Ya c]Y'h'Y'k ]f]Y'V'j Yf'Z'f'ca 'h'Y'i b]h'V'm'  
'cc'g'Y]b[ 'h'Y' 'g'V'Y'k'g'  
&' 8]g'a ci bh'W'd'g'cb'h'Y'V'eb'X'i ]h'd'Ub'Y'"  
' " H'Ya d'Y'f'U] ]ma ci bh'h'Y'V'eb'X'i ]h'hi V'Y'g'f'ch'  
'" ]b'W' X'Y'X'c'cb'h'Y'V'eb'X'i ]h'd'Ub'Y'"  
( " D'f'c'd'Y'f'm'V'bb'Y'V'h'V'ch' h'Y'd'ck Yf'g' dd'm'Ub'X'  
'ck ]c'h]U[ Y' ]b'Y'g'hc' h'Y'V'f'f'Y'g'd'c'X]b[  
h'Y'fa ]b'U'g'cb'h'Y'h'Y'fa ]bU'V'c'W'"  
) " ; f'ci b'X'h'Y'i b]h]b' U'W'f'X'U'b'W'k ]h' 'c'W' V'eb'X'Y'g'  
\*" 6'Y'g' f'Y'hc' g]h'Y'Y'U'W'k ]f]Y'U'c'k ]b[ 'g]Y'f'U' ]b'W'Y'g'  
'cb[ Y'f'h'U'b'h'Y'f'Y'ei ]f]Y'X'Y'b[ h'Z'c'f'k ]f]b[ "  
+ " I' g'Y'c'W' bi hg]hc' g'Y'W'f'Y'h'Y'V'eb'X'i ]h'hi V'Y'g'



D'Y'U'g'g'Y'V'h'Y'U'd'd'f'c'd'f]U'h'f'ci [ \! \c'Y'U'W'f'X]b[ '  
hc'h'Y'X]Ua Y'h'f'cZ'h'Y'k ]f]Y'"

# Refrigerant Piping Connection

Do not use any type of pipe or fitting that is not specifically designed for use with refrigerant. The use of inappropriate materials can lead to leaks, system failure, and safety hazards. Always use the components specified in the installation manual.

## Note on Pipe Length

The maximum length and drop height of refrigerant piping are limited by the model and capacity. Exceeding these limits can result in poor system performance and increased energy consumption. Refer to the table below for specific limits.

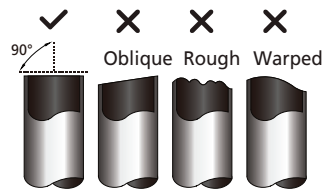
Maximum Length and Drop Height of Refrigerant Piping per Unit Model

Model	Capacity (BTU/h)	Max. Length (m)	Max. Drop Height (m)
F & B YFHf Gd Jh5 Jf 7cbXJhcbYf	0 % \$\$\$	& ) fl & Zt	%\$ fl ' Zt
	≥ % \$\$\$ UbX'O (& \$\$\$	' \$ fl , ") Zt	&\$ ff * Zt
	≥ & (\$ \$\$\$ UbX'O ' * \$\$\$	) \$ fl% ( Zt	&) fl & Zt

## Connection Instructions – Refrigerant Piping

### Step 1: Cut pipes

When cutting pipes, ensure the cut is perpendicular to the pipe axis. An oblique, rough, or warped cut can compromise the integrity of the connection and lead to leaks.



Always use proper cutting techniques to avoid deforming the pipe. Use a pipe cutter or a sharp utility knife, and avoid using power tools that can create heat or sparks.

Do not use pipe that has been bent, kinked, or otherwise deformed. Deformed pipe can restrict flow and cause system inefficiency. Replace any damaged pipe before installation.

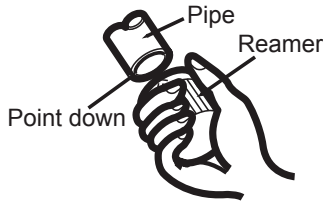
### DO NOT DEFORM PIPE WHILE CUTTING

Do not use pipe that has been bent, kinked, or otherwise deformed. Deformed pipe can restrict flow and cause system inefficiency. Replace any damaged pipe before installation.

## Step 2: Remove burrs

Burrs can affect the air-tight seal of refrigerant piping connection. They must be completely removed.

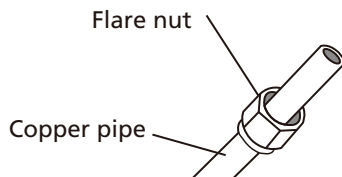
1. Hold the pipe at a downward angle to prevent burrs from falling into the pipe.
2. Using a reamer or deburring tool, remove all burrs from the cut section of the pipe.



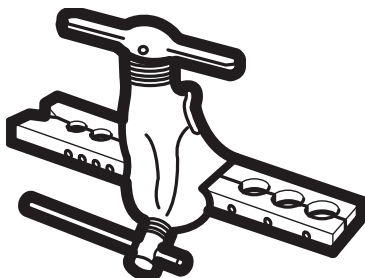
## Step 3: Flare pipe ends

Proper flaring is essential to achieve an airtight seal.

1. After removing burrs from cut pipe, seal the ends with PVC tape to prevent foreign materials from entering the pipe.
2. Sheath the pipe with insulating material.
3. Place flare nuts on both ends of pipe. Make sure they are facing in the right direction, because you can't put them on or change their direction after flaring.

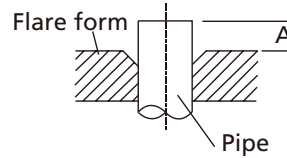


4. Remove PVC tape from ends of pipe when ready to perform flaring work.
5. Clamp flare form on the end of the pipe. The end of the pipe must extend beyond the edge of the flare form in accordance with the dimensions shown in the table below.



## PIPING EXTENSION BEYOND FLARE FORM

Outer Diameter of Pipe (mm)	A (mm)	
	Min.	Max.
Ø 6.35 (Ø 0.25")	0.7 (0.0275")	1.3 (0.05")
Ø 9.52 (Ø 0.375")	1.0 (0.04")	1.6 (0.063")
Ø 12.7 (Ø 0.5")	1.0 (0.04")	1.8 (0.07")
Ø 16 (Ø 0.63")	2.0 (0.078")	2.2 (0.086")
Ø 19 (Ø 0.75")	2.0 (0.078")	2.4 (0.094")



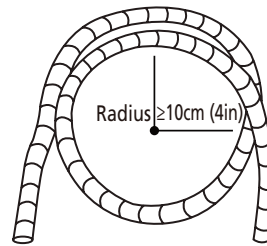
6. Place flaring tool onto the form.
7. Turn the handle of the flaring tool clockwise until the pipe is fully flared.
8. Remove the flaring tool and flare form, then inspect the end of the pipe for cracks and even flaring.

## Step 4: Connect pipes

When connecting refrigerant pipes, be careful not to use excessive torque or to deform the piping in any way. You should first connect the low-pressure pipe, then the high-pressure pipe.

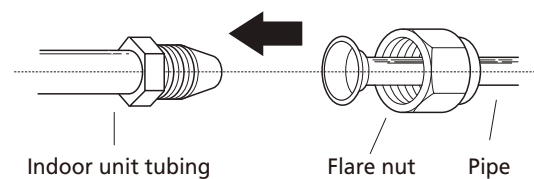
### MINIMUM BEND RADIUS

When bending connective refrigerant piping, the minimum bending radius is 10cm.



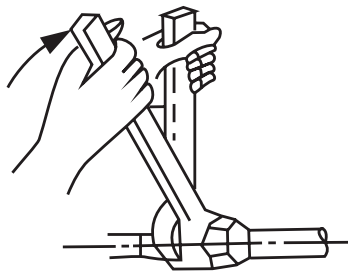
## Instructions for Connecting Piping to Indoor Unit

1. Align the center of the two pipes that you will connect.





- Tighten the flare nut as tightly as possible by hand.
- Using a spanner, grip the nut on the unit tubing.
- While firmly gripping the nut on the unit tubing, use a torque wrench to tighten the flare nut according to the torque values in the **Torque Requirements** table below. Loosen the flaring nut slightly, then tighten again.



### TORQUE REQUIREMENTS

Outer Diameter of Pipe (mm)	Tightening Torque (N•m)	Flare dimension(B) (mm)	Flare shape
Ø 6.35 (Ø 0.25")	18~20(180~200kgf.cm)	8.4~8.7 (0.33~0.34")	
Ø 9.52 (Ø 0.375")	32~39(320~390kgf.cm)	13.2~13.5 (0.52~0.53")	
Ø 12.7 (Ø 0.5")	49~59(490~590kgf.cm)	16.2~16.5 (0.64~0.65")	
Ø 16 (Ø 0.63")	57~71(570~710kgf.cm)	19.2~19.7 (0.76~0.78")	
Ø 19 (Ø 0.75")	67~101(670~1010kgf.cm)	23.2~23.7 (0.91~0.93")	

### ⊘ DO NOT USE EXCESSIVE TORQUE

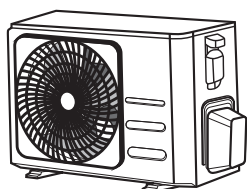
Excessive force can break the nut or damage the refrigerant piping. You must not exceed torque requirements shown in the table above.

### Instructions for Connecting Piping to Outdoor Unit

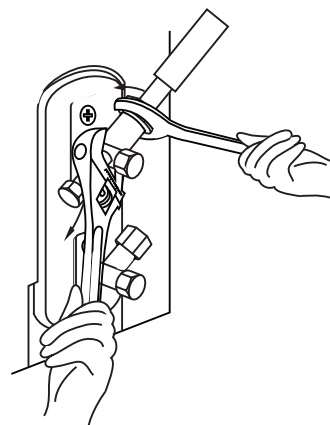
- Unscrew the cover from the packed valve on the side of the outdoor unit.
- Remove protective caps from ends of valves.
- Align flared pipe end with each valve, and tighten the flare nut as tightly as possible by hand.
- Using a spanner, grip the body of the valve. Do not grip the nut that seals the service valve.
- Loosen the flaring nut slightly, then tighten again.
- Repeat Steps 3 to 6 for the remaining pipe.

### ! USE SPANNER TO GRIP MAIN BODY OF VALVE

Torque from tightening the flare nut can snap off other parts of valve.



Valve cover



- While firmly gripping the body of the valve, use a torque wrench to tighten the flare nut according to the correct torque values.

# Air Evacuation

## Preparations and Precautions

Air and foreign matter in the refrigerant circuit can cause abnormal rises in pressure, which can damage the air conditioner, reduce its efficiency, and cause injury. Use a vacuum pump and manifold gauge to evacuate the refrigerant circuit, removing any non-condensable gas and moisture from the system.

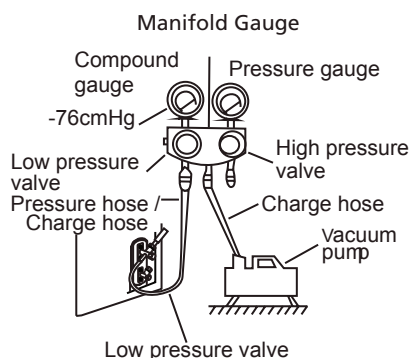
Evacuation should be performed upon initial installation and when unit is relocated.

### BEFORE PERFORMING EVACUATION

- ☑ Check to make sure the connective pipes between the indoor and outdoor units are connected properly.
- ☑ Check to make sure all wiring is connected properly.

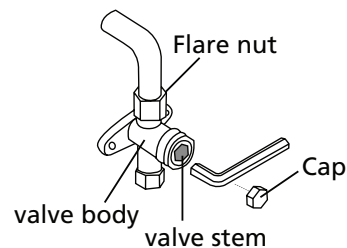
## Evacuation Instructions

1. Connect the charge hose of the manifold gauge to service port on the outdoor unit's low pressure valve.
2. Connect another charge hose from the manifold gauge to the vacuum pump.
3. Open the Low Pressure side of the manifold gauge. Keep the High Pressure side closed.
4. Turn on the vacuum pump to evacuate the system.
5. Run the vacuum for at least 15 minutes, or until the Compound Meter reads  $-76\text{cmHg}$  ( $-10^5\text{Pa}$ ).



6. Close the Low Pressure side of the manifold gauge, and turn off the vacuum pump.
7. Wait for 5 minutes, then check that there has been no change in system pressure.

8. If there is a change in system pressure, refer to Gas Leak Check section for information on how to check for leaks. If there is no change in system pressure, unscrew the cap from the packed valve (high pressure valve).
9. Insert hexagonal wrench into the packed valve (high pressure valve) and open the valve by turning the wrench in a  $1/4$  counterclockwise turn. Listen for gas to exit the system, then close the valve after 5 seconds.
10. Watch the Pressure Gauge for one minute to make sure that there is no change in pressure. The Pressure Gauge should read slightly higher than atmospheric pressure.
11. Remove the charge hose from the service port.



12. Using hexagonal wrench, fully open both the high pressure and low pressure valves.
13. Tighten valve caps on all three valves (service port, high pressure, low pressure) by hand. You may tighten it further using a torque wrench if needed.

### ! OPEN VALVE STEMS GENTLY

When opening valve stems, turn the hexagonal wrench until it hits against the stopper. Do not try to force the valve to open further.

## Note on Adding Refrigerant

Gca Y'gngYa gjfYei ]fY'UXX]hcbU'VWUf[ ]b[ 'XYdYbX]b[ 'cb'd]dY''Yb[ h'g" H\Y'ghUbXUfX'd]dY''Yb[ h'j Uf]Yg UWzfx]b[ 'hc''cW'fY[ i 'U]cbg": cf'YI Ua d'Yz]b' Bcfh' 5a Yf]Wz'h.Y'ghUbXUfX'd]dY''Yb[ h' ]g+') a 'f&) N' 'ch'Yf'UfYUg'h.Y'ghUbXUfX'd]dY''Yb[ h' ]g') a 'f%\*E' H\Y'fYZ][ YfUbh'g\ci 'X'VY'WUf[ YX'Zfca 'h'Y'gyfj ]W' dcfh'cb'h'Y'ci h'Xccf'i b]h'g'ck 'dfYgg' fY'j U'j Y'' H\Y'UXX]hcbU'fYZ][ YfUbh'hc'VY'WUf[ YX'WUb'VY' W'W'UHYX'i g]b[ 'h'Y'Zc''ck ]b[ 'Zfca i 'U.'

### ADDITIONAL REFRIGERANT PER PIPE LENGTH

Connective Pipe Length (m)	Air Purging Method	Additional Refrigerant	
Q'GhUbXUfX'd]dY''Yb[ h'	JUWi a 'Di a d	B#5	
2 GhUbXUfX'd]dY''Yb[ h'	JUWi a 'Di a d	@ei ]X'G]XY.'« ' *'' ) 'f' '\$"&)' i t <b>R32:</b> fD]dY''Yb[ h' i' ghUbXUfX''Yb[ h'kEi '%&[ #a ' fD]dY''Yb[ h' i' ghUbXUfX''Yb[ h'kEi '\$"% cN#zh	@ei ]X'G]XY.'« '-' ) &'f' '\$"'' +)' i t <b>R32:</b> fD]dY''Yb[ h' i' ghUbXUfX''Yb[ h'kEi '&[ #a ' fD]dY''Yb[ h' i' ghUbXUfX''Yb[ h'kEi '\$"&*cN#zh

 **CAUTION** DO NOT a ]i 'fYZ][ YfUbh'fmalYg'

# Electrical and Gas Leak Checks

## Before Test Run

Check the electrical wiring and gas piping before the test run.

**Electrical Safety Checks** Check the electrical wiring and gas piping before the test run.

**Gas Leak Checks** Check the gas piping before the test run.

Check the gas piping before the test run.

## Electrical Safety Checks

Check the electrical wiring and gas piping before the test run.

## BEFORE TEST RUN

### Check Grounding Work

Check the electrical wiring and gas piping before the test run.

**Note:** Check the electrical wiring and gas piping before the test run.

## DURING TEST RUN

### Check for Electrical Leakage

Check the electrical wiring and gas piping before the test run.

Check the electrical wiring and gas piping before the test run.



## WARNING – RISK OF ELECTRIC SHOCK

ALL WIRING MUST COMPLY WITH LOCAL AND NATIONAL ELECTRICAL CODES, AND MUST BE INSTALLED BY A LICENSED ELECTRICIAN.

## Gas Leak Checks

Check the gas piping before the test run.

### Soap and Water Method

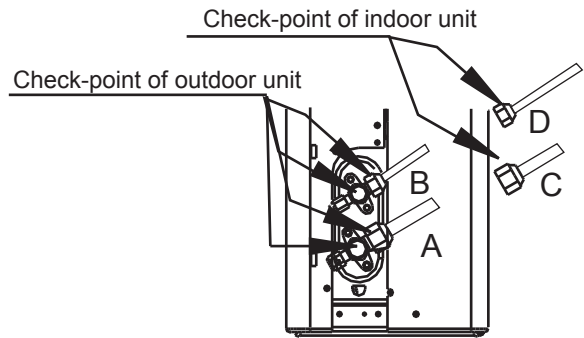
Check the gas piping before the test run.

### Leak Detector Method

Check the gas piping before the test run.

## AFTER PERFORMING GAS LEAK CHECKS

Check the gas piping before the test run.



A: Low pressure stop valve  
B: High pressure stop valve  
C & D: Indoor unit flare nuts

# Test Run

## Test Run Instructions

You should perform the **Test Run** for at least 30 minutes.

1. Connect power to the unit.
2. Press the **ON/OFF** button on the remote controller to turn it on.
3. Press the **MODE** button to scroll through the following functions, one at a time:
  - COOL – Select lowest possible temperature
  - HEAT – Select highest possible temperature
4. Let each function run for 5 minutes, and perform the following checks:

List of Checks to Perform	PASS/FAIL	
No electrical leakage		
Unit is properly grounded		
All electrical terminals properly covered		
Indoor and outdoor units are solidly installed		
All pipe connection points do not leak	Outdoor (2):	Indoor (2):
Water drains properly from drain hose		
All piping is properly insulated		
Unit performs COOL function properly		
Unit performs HEAT function properly		
Indoor unit louvers rotate properly		
Indoor unit responds to remote controller		

## DOUBLE-CHECK PIPE CONNECTIONS

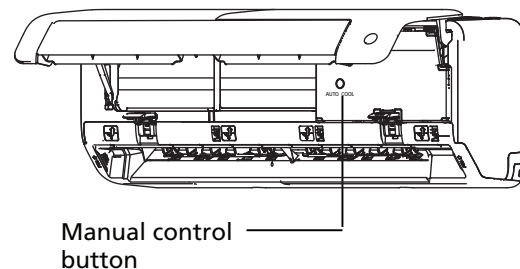
During operation, the pressure of the refrigerant circuit will increase. This may reveal leaks that were not present during your initial leak check. Take time during the Test Run to double-check that all refrigerant pipe connection points do not have leaks. Refer to **Gas Leak Check** section for instructions.

5. After the Test Run is successfully completed, and you confirm that all checks points in List of Checks to Perform have PASSED, do the following:
  - a. Using remote control, return unit to normal operating temperature.
  - b. Using insulation tape, wrap the indoor refrigerant pipe connections that you left uncovered during the indoor unit installation process.

## IF AMBIENT TEMPERATURE IS BELOW 17°C

You can't use the remote controller to turn on the COOL function when the ambient temperature is below 16°C. In this instance, you can use the **MANUAL CONTROL** button to test the COOL function.

1. The **MANUAL CONTROL** button is located on the right-hand side panel of the unit.
2. Press the button 2 times to select the COOL function.
3. Perform Test Run as normal.



# Packing and unpacking the unit

## Instructions for packing and unpacking the unit:

### Unpacking:

#### Indoor unit:

1. Cut the sealing tape on the carton with a knife, one cut on the left, one cut in the middle and one cut on the right.
2. Use the vice to take out the sealing nails on the top of the carton.
3. Open the carton.
4. Take out the middle support plate if it is included.
5. Take out the accessory package, and take out the connecting wire if it is included.
6. Lift the machine out of the carton and lay it flat.
7. Remove the left and right package foam or the upper and lower packaging foam, untie the packaging bag.

#### Outdoor Unit

1. Cut the packing belt.
2. Take the unit out of the carton.
3. Remove the foam from the unit.
4. Remove the packaging bag from the unit.

### Packing:

#### Indoor unit:

1. Put the indoor unit into the packing bag.
2. Attach the left and right package foam or the upper and lower packaging foam to the unit.
3. Put the unit into the carton, then put accessory package in.
4. Close the carton and seal it with the tape.
5. Using the packing belt if necessary.

#### Outdoor unit:

1. Put the outdoor unit into the packing bag.
2. Put the bottom foam into the box.
3. Put the unit into the carton, then put the upper packaging foam on the unit.
4. Close the carton and seal it with the tape.
5. Using the packing belt if necessary.

**NOTE:** Please keep all packaging items if you may need in the future.

**The design and specifications are subject to change without prior notice for product improvement. Consult with the sales agency or manufacturer for details. Any updates to the manual will be uploaded to the service website, please check for the latest version.**

**CS014UI-EP(B)**

---



Kaysun  
by frigicoll

MAIN OFFICE

Blasco de Garay, 4-6  
08960 Sant Just Desvern  
(Barcelona)  
Tel. +34 93 480 33 22  
<http://www.frigicoll.es/>  
<http://www.kaysun.es/en/>

MADRID

Senda Galiana, 1  
Polígono Industrial Coslada  
Coslada (Madrid)  
Tel. +34 91 669 97 01  
Fax. +34 91 674 21 00  
[madrid@frigicoll.es](mailto:madrid@frigicoll.es)