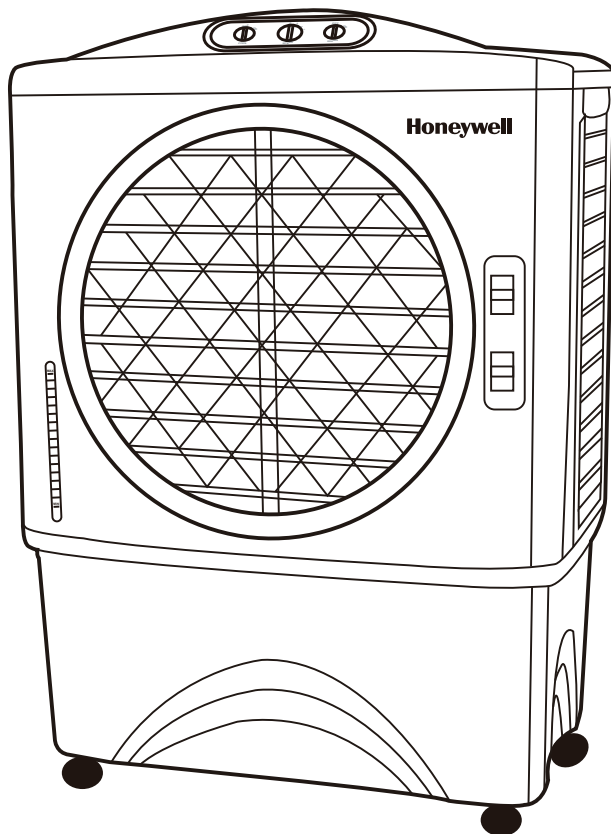


Honeywell

Portable Evaporative Air Cooler
for Outdoor, Indoor & Commercial Use

OWNER'S MANUAL

Read and save these instructions before use



Model: CL48PM

Power rating: 140 Watts
Voltage rating: 220 Volt AC, 50Hz

For product inquiries or support, visit www.honeywellaircoolers.com

TES Scandinavia AB
www.tesscandinavia.se, +46 (0)31 761 36 10

Made in P.R.C.

QUICK START GUIDE



Fill with water and plug into a standard power outlet.

Note: Please make sure the household power voltage matches the product specifications.



Place near an open door or window.

Note : Evaporative air cooler requires cross ventilation.



Turn ON and enjoy the cooling breeze.

Note: Start with LOW speed and gradually increase to higher speed for optimum cooling performance.

INDEX

Read all instructions carefully before setting up and operating the cooler, and please keep this instruction manual for future reference. This manual is designed to provide you with important information needed to setup, operate, maintain, and troubleshoot your cooler. Failure to follow these instructions may damage and/or impair its operation and void the warranty.

| SECTION | PAGE |
|------------------------------------|------|
| 1. THANK YOU | 2 |
| 2. USER TIPS | 3 |
| 3. SAFETY RULES | 5 |
| 4. PARTS DESCRIPTION | 8 |
| 5. USE & OPERATION | 9 |
| Control Panel | 9 |
| Control buttons | 10 |
| Filling water | 11 |
| 6. CLEANING & MAINTENANCE | 13 |
| 7. TROUBLESHOOTING GUIDE | 15 |
| 8. TECHNICAL SPECIFICATIONS | 16 |
| 9. ELECTRICAL WIRING DIAGRAM | 17 |

THANK YOU!

THANK YOU!

Congratulations on your purchase of this versatile Honeywell Evaporative Air Cooler. For optimum cooling from your cooler, fill the water tank to maximum level and load ice inside the ice compartment before you turn on your air cooler.

Cooler Location (Important - Please Read!)

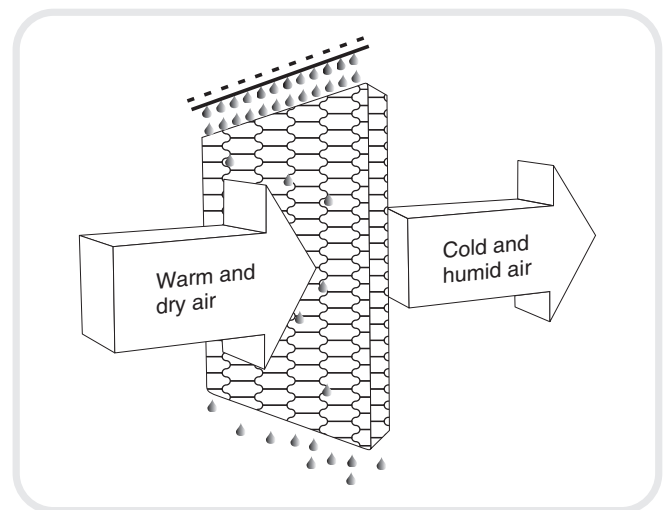
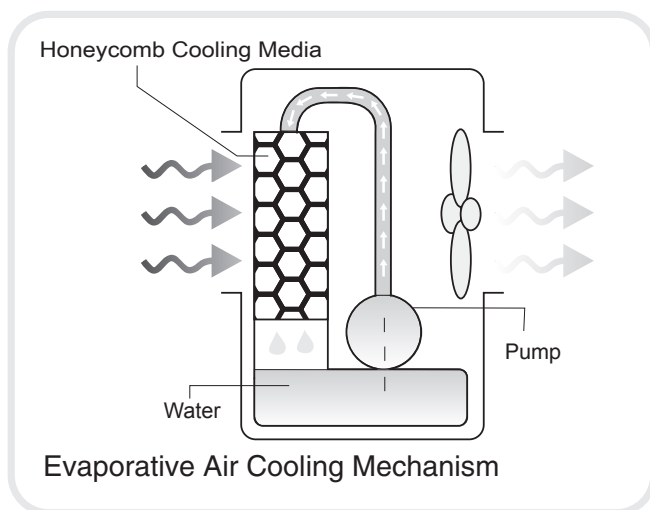
Place the cooler in front of an open door or window. Ensure that there is adequate cross-ventilation in the room by leaving a door or window open opposite the cooler. Following these guideline will ensure your cooler will work as effectively as possible.

Not an Air Conditioner (Important - Please Read!)

The evaporative air cooler is not an air conditioner as it does not use a compressor or refrigerant gas. It should not be expected to cool as efficiently as a refrigerated air conditioner.

Energy Efficient, No Compressor

Honeywell Evaporative Air Coolers are built to maximize energy efficiency and keep costs low. Warm air is drawn into the cooler and enters the Honeycomb Cooling Media. Water pumped from the tank pours over the honeycomb media. As the warm air passes through the media, the water absorbs the heat, naturally cooling and humidifying the air. A fan propels the cooled air out into the room. This no-compressor system cools naturally, efficiently and inexpensively.



USER TIPS

The recommended maximum relative humidity level is 60% or less, which allows a noticeable temperature decrease. The temperature decrease will be greater in drier climates because higher evaporation occurs when the humidity is low.

The evaporative air cooler should not be used in enclosed spaces. It must be kept level and there must be water in the water tank. The room should have doors and windows opened to allow free air flow. The evaporative air cooler works best when placed near an open window, so that outside air is drawn into the evaporative air cooler, the air circulates in the room, then exits via the door. The maximum cooling effect is felt when a person is in the flow of air coming out of the evaporative air cooler.

The evaporative air cooler can also be used to humidify dry air during cool weather. To be used for humidification the windows and doors should be closed to allow the humidified air to accumulate.



Room with open windows & door
(RECOMMENDED)



Room with closed windows & door
(NOT-RECOMMENDED)

Note:

When the product is used for the first time the Honeycomb Cooling Media will have an odor which will dissipate in a few hours or so of initial use.



SAFETY RULES

READ AND SAVE THESE INSTRUCTIONS:

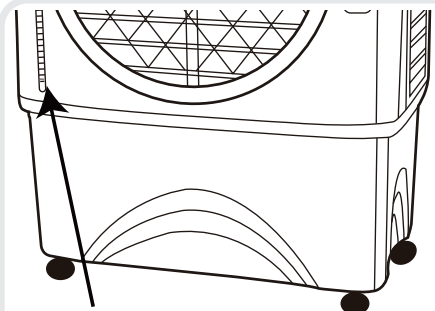
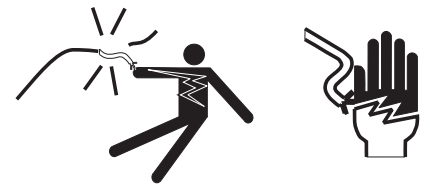
When using electrical appliances, basic safety precautions should always be followed:

- Your cooler runs on 220 Volt AC, 50Hz current. Check the household voltage to ensure it matches the appliance's rate specification.
- Before operating the product remove it from its packaging and check it is in good condition.
- DO NOT operate any product with a damaged cord or plug.
- DO NOT run power cord under carpeting, or cover it with rugs or runners. Keep the cord away from areas where it may be tripped over.
- Always unplug the product before refilling the water tank.
- Always unplug the appliance from the power source before cleaning, servicing or relocating the unit.
- Remove the power cord from the electrical receptacle by grasping and pulling on the power cord plug-end only, never pull the cord.
- DO NOT use the product in areas where gasoline, paint or other flammable goods and objects are stored.
- When using the "COOL" setting, check the water tank to ensure that it is full. Operation of this cooler on the "COOL" setting with an empty tank may result in damage to the water pump.



220 Volt AC 50Hz

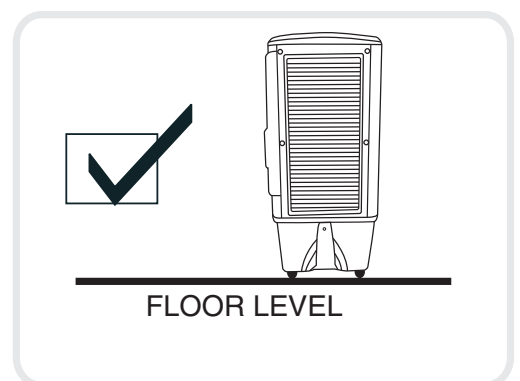
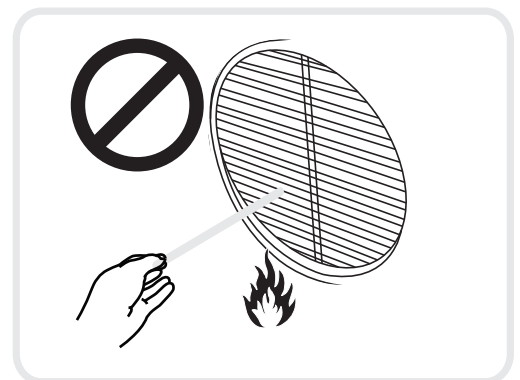
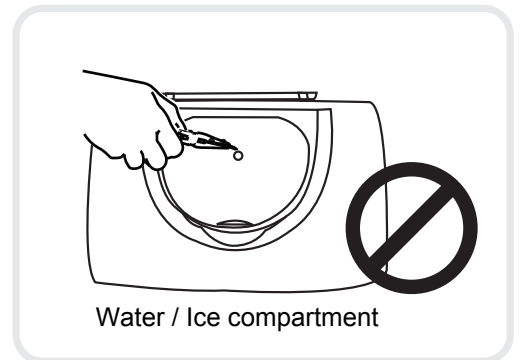
SHOCK HAZARD



Water Level Indicator

SAFETY RULES

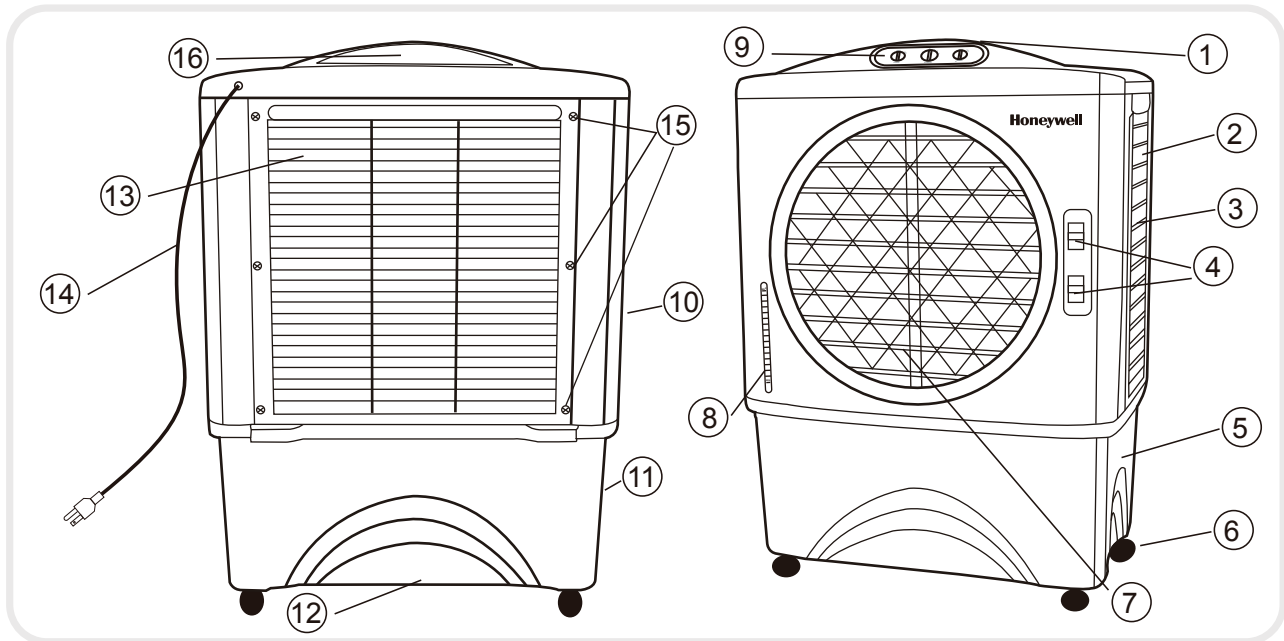
- DO NOT attempt to repair or adjust any electrical or mechanical functions of the cooler, as this may void the warranty.
 - DO NOT cover the air inlet or outlet on the appliance as this may cause motor damage.
 - DO NOT insert or allow objects to enter any ventilation or exhaust opening as this may damage the product and could cause an electrical shock or fire.
 - DO NOT operate with the Honeycomb Media removed as this will overload and damage the motor.
 - DO NOT leave the operating appliance unattended for any extended period of time.
 - DO NOT let children play with this appliance, packaging or plastic bags.
 - If the unit is damaged or it malfunctions, do not continue to operate it. Refer to the troubleshooting section and seek professional advice.
 - Place the unit on a level floor.
 - This product is not intended for use in wet or damp locations.
 - DO NOT use in bathrooms. Never locate the product where it may fall into a bathtub or other water container.
 - Store in a dry area when not in use.
 - This appliance is not intended for use by persons (including children or elderly) with reduced physical, sensory or mental capabilities, or lack of experience and knowledge, unless they have been given supervision or instruction concerning use of the appliance by a person responsible for their safety.
- Always grip the side handles to move the cooler.



SAFETY RULES

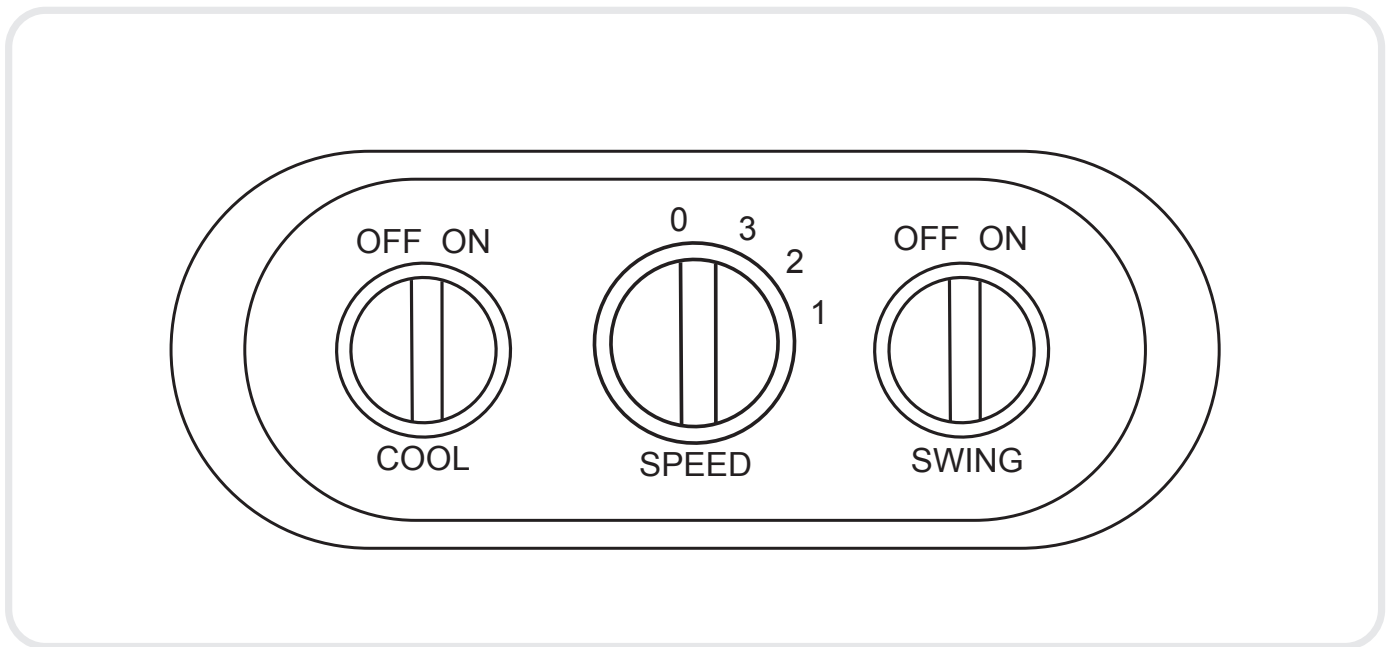
- Look for extension cords specifically marked for outdoor use. Look for extension cords that have a GFCI (Ground Fault Circuit Interrupter) built in.
- Make sure the amperage rating for the extension cord is higher than the amperage rating for the appliance. Check labels and owner's manuals on the appliance and the extension cord for amperage ratings.
- Power cords have to be contained. If they must run along the ground, make sure every inch of them is secured so they will not be tripped over.
- The wiring and connections must be waterproof. Be sure the connections (to the air cooler) never get wet. Your unit is waterproof, but everything attached to it must be waterproof, too. Set up your unit so it cannot be tripped over or wobble loose. It must rest on a solid support.

PARTS DESCRIPTION



- | | | | |
|---|---|----|------------------------------------|
| 1 | Water Inlet and Ice Loading Compartment | 9 | Control Panel |
| 2 | Handle | 10 | Right Honeycomb Panel |
| 3 | Left Honeycomb Panel | 11 | Continuous Water Supply Connection |
| 4 | Lever for Horizontal Louvers | 12 | Drain Plug |
| 5 | Water Tank | 13 | Backside Honeycomb Panel |
| 6 | Casters | 14 | Power Cord & Plug |
| 7 | Horizontal Louvers | 15 | Rear Grill Removal Screws |
| 8 | Water Level Indicator | 16 | Water Fill Door |

Control Panel

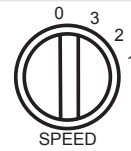


USE & OPERATION

Function Buttons

Speed / On - Off

Connect to the power supply and turn the Speed knob. The fan will start. Change the speed from 1 for Low to 2 for Medium to 3 High. To switch OFF the unit turn the Speed knob to "0".



SPEED

Press the 'SPEED' button and turn the speed from High to Low.



COOL

To begin cooling the desired area turn the "COOL" switch ON. The water pump will operate. You can feel the cooler air after the Honeycomb media is completely wet.



SWING

Turn the "SWING" switch ON. The louvers will begin to move from right to left automatically. Manually adjust the horizontal louvers to change vertical airflow.

Horizontal Louvers

Manually adjust the horizontal louvers to change vertical airflow.

CAUTION

Unplug from power when refilling.

Filling With Water

Water can be filled into the air cooler by:

Water Inlet (Manually)

Water / Ice can be put into the tank through the top opening. There is a hole for water to flow into the tank.

Continuous water supply (Auto Refill)

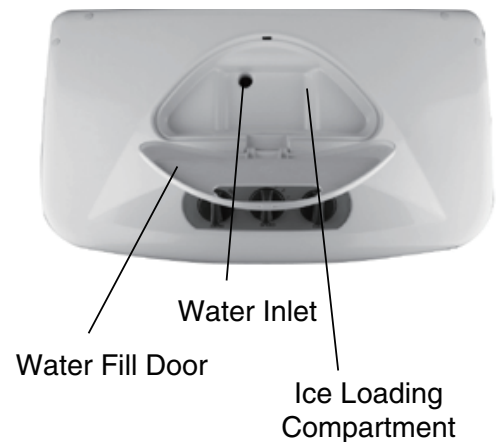
Connect a garden hose to the continuous water supply inlet.

Water Inlet (Manually)

To refill the water tank, pull out the Water Fill Door located on the top of the unit (#16 on Page 8) and fill water to the Max, as indicated on the Water Level Indicator (#8 on Page 8)

Do not fill water above the Max water level mark.

For maximum cooling performance, put ice cubes inside the Ice Loading Compartment located on the top of the Air Cooler (#1 on Page 8).



USE & OPERATION

Filling With Water (Continuous Water Supply Connection)

CAUTION

Unplug from power source before filling

This automated process eliminates the need to manually refill the water tank.

Securely connect the continuous water supply connector (located on the lower left side panel #11 on Page 8) to the water supply.

Turn on the water.

The water tank will refill automatically.

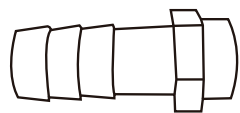
The water float valve will detect the water level and will automatically start or stop the water flow.

Plug the unit into the power supply and turn the unit on.

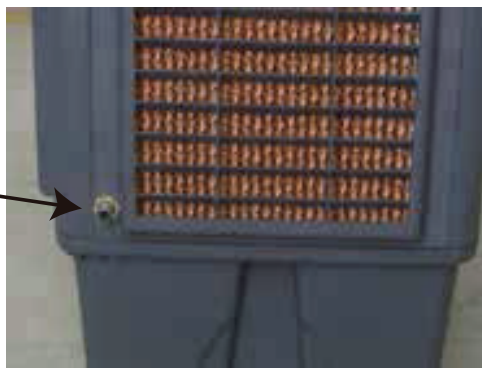
Installing Hose Adapter And Float Valve

Connect the garden hose to the water supply connector (# 11 on Page 8)

Verify that connections are secure and turn on the water.



Hose Connectora



Important - Please Read!



- The cooler is supplied with Honeycomb Cooling Media.
- The cleaning frequency for the Honeycomb media depends on local air and water conditions. In areas where the mineral content of water is high, mineral deposits may build up on the Honeycomb Cooling Media and restrict air flow. Draining the water reservoir and refilling with fresh water at least once a week will help reduce mineral deposits. If mineral deposits remain on the Honeycomb media, the media should be removed and washed under fresh water. The media should be cleaned every two months or sooner, depending on your needs."
- Do not run the unit in COOL mode with stale water in the tank. Empty the tank and refill it with fresh water if the water has been standing in the tank for an extended period of time.
- For best results, allow the Honeycomb Cooling Media to dry after each use by turning off the cool function 15 minutes before turning the unit off.

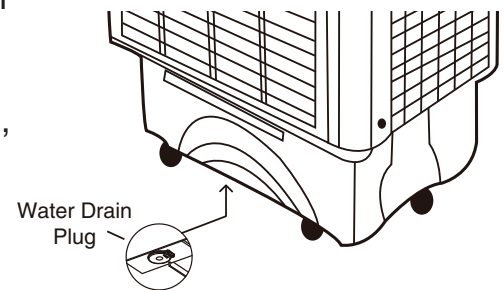
WARNING

- Before cleaning, turn the unit off and disconnect from the power source.
- Use a damp cloth to remove dirt and dust from the outside of the unit.
- Never use abrasive cleaners.
- When the unit is not in use, store it in a dry place, out of direct sunlight.

CLEANING & MAINTENANCE

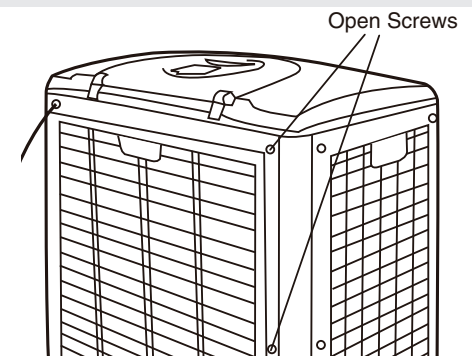
Draining and Cleaning The Water Tank

- Turn the power “off” and disconnect the air cooler from the power supply.
- Move the unit to a location where it can be drained.
- Remove the drain plug and allow the tank to empty (refer page 8, part 12).
- Refill the water tank up to the maximum level with clean water and drain it completely.
- Fill water tank and rinse at least 2-3 times before use.
- After cleaning ensure that the drain plug is back in place.
- Plug into the power supply and turn on unit.



Cleaning the Honeycomb Cooling Media

- Turn off the unit, and unplug the power cord from wall outlet.
- Rotate the unit facing the back panel, and locate the Rear Grill
- Removal Screws (refer page 8, #15). Remove all the screws with a screw driver.
- Pull the rear grill panel, until it is completely removed.
- The Honeycomb Cooling Media can now be seen. Clean the carbon filter & honeycomb with clean cloth to remove all the dust & dirt particles.
- Once cleaning is finished, reassemble the unit as described above.
- Plug into the power supply and turn on unit.
- The air cooler is now ready to be used. This cleaning process should be repeated monthly to maintain the integrity of the unit and to remove particles filtered from the air.



TROUBLESHOOTING GUIDE

| PROBLEM | POSSIBLE CAUSE | SOLUTION |
|------------------------------------|---|--|
| No discharge of air | Cord is not plugged in. | Make sure power cord is plugged in and the supply switch is on. |
| | Power is not on. | Turn the unit ON by pressing button on the control panel. |
| Not Cooling / Unit is making noise | Pump is not turned ON. | On Control Panel, turn COOL FUNCTION to "ON". |
| | Low or no water in tank, when COOL is selected. | Refill water tank. |
| | Damaged Pump or Calcium deposits on blower. | Contact service center. |
| Odors | When the Cooler is new. | When the unit is used for the first time, the Honeycomb Cooling Media will have an odor, which will dissipate within a few hours of initial use. |
| | If the Cooler has been used. | There may be an algae issue. Replace the Honeycomb Cooling Media. |

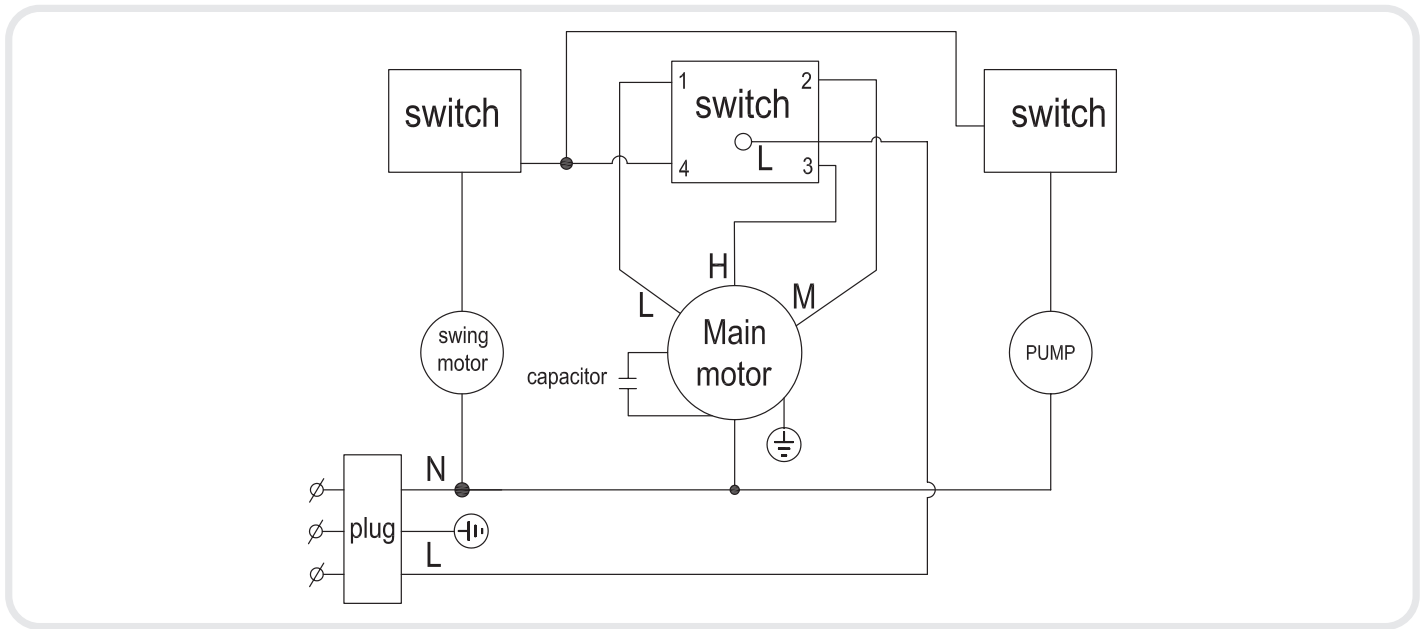
Customer Support: +46 (0)31 761 36 10

TECHNICAL SPECIFICATIONS

MODEL NO. **CL48PM**

| | |
|---------------------|-----------------------------|
| Voltage | 220V |
| Frequency | 50Hz |
| Wattage | 140 Watts |
| Water Tank Capacity | 48 Litre |
| Cooling Media | Honeycomb |
| Product Dimension | 620 (L) x 375 (D) x 868 (H) |
| Net Weight | 13.3 Kg |

ELECTRICAL WIRING DIAGRAM



SERVICE AND WARRANTY

1-YEAR LIMITED WARRANTY

Read all the instructions before attempting to use this product.

This 1 year limited warranty applies to repair or replacement product found to be defective in material or workmanship.

This warranty does not apply to any damage resulting from commercial, abusive, unreasonable use or supplemental damage. Defects that are the result of normal wear and tear will not be considered manufacturing defects under this warranty.

TES Scandinavia AB IS NOT LIABLE FOR INCIDENTAL OR CONSEQUENTIAL DAMAGES OF ANY NATURE. ANY IMPLIED WARRANTY OF MERCHANTABILITY OR FITNESS FOR A PARTICULAR PURPOSE ON THIS PRODUCT IS LIMITED IN DURATION TO THE DURATION OF THIS WARRANTY.

Some jurisdictions do not allow the exclusion or limitation of incidental or consequential damages or limitations on how long an applied warranty lasts, so the above limitations or exclusions may not apply to you. This warranty gives you specific legal rights, and you also may have other rights which vary from jurisdiction to jurisdiction. This warranty applies only to the original purchaser of this product from the original date of purchase.

At its option, TES Scandinavia AB will repair or replace this product if it is found to be defective in material or workmanship.

This warranty does not cover damage resulting from any unauthorized attempts to repair or from any use not in accordance with the instruction manual.

Please read the Instruction Manual carefully before setting up or using this product. If you believe this product to be suffering from a manufacturing fault, or if you have inquiries about this product, please contact our Customer Support: +46 (0)31 761 36 10

CUSTOMER SUPPORT

When contacting our Customer Support, please have the information below along with the proof of purchase. All warranty requests must be accompanied by a proof of purchase, which is a copy of the original receipt.

Model:

Date of purchase:

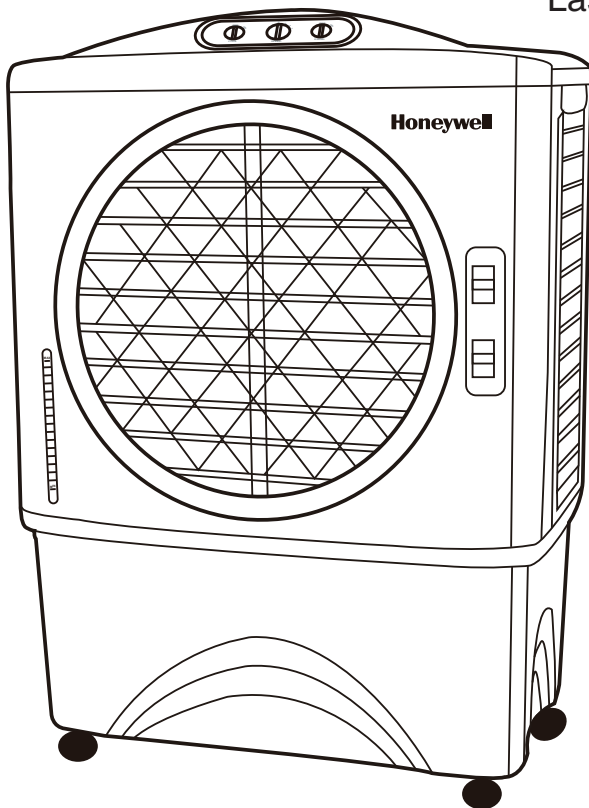
Purchased from:

Honeywell

Portabel Evaporativ Luftkonditionering
för utomhus, inomhus och kommersiell användning

BRUKSANVISNING

Läs och spara dessa instruktioner före användning



Modell: CL48PM

Effekt: 140 Watts
Märkspänning: 220 Volt AC, 50Hz

För frågor kring produkten eller support, besök www.honeywellaircoolers.com

Kundtjänst: TES Scandinavia AB, www.tesscandinavia.se. +46 (0)31 761 36 10

Tillverkad i P.R.C.

SNABBSTART GUIDE



Fyll med vatten och koppla in i ett vanlig elluttag.

Obs: Se till att fastighetens nätspänning motsvarar produktspecifikationerna.



Placeras nära en öppen dörr eller ett fönster.

Obs: Evaporativ luftkonditionering kräver korsdrag.



Starta och njut av en kylande bris.

Obs: Starta med en LÅG hastighet och öka gradvis hastigheten för optimal kylning.

INDEX

Läs alla instruktioner noggrant innan du installerar och använder luftkonditioneringen och spara denna bruksanvisning för framtida referens. Denna bruksanvisning är utformad för att ge dig viktig information som behövs för att installera, driva, underhålla och felsöka din luftkonditionering. Om du inte följer dessa instruktioner kan det skada och / eller försämra dess funktion och garantin blir ogiltig.

| SEKTION | SIDA |
|-------------------------------------|------|
| 1. TACK | 2 |
| 2. ANVÄNDARTIPS | 3 |
| 3. SÄKERHET | 5 |
| 4. BESKRIVNING AV DELAR | 8 |
| 5. ANVÄNDNING&DRIFT | 9 |
| Kontrollpanel | 9 |
| Kontrollknappar | 10 |
| Påfyllning av vatten | 11 |
| 6. RENGÖRING & UNDERHÅLL | 13 |
| 7. FELSÖKNINGSGUIDE | 15 |
| 8. TEKNISKA SPECIFIKATIONER | 16 |
| 9. ELEKTRISKT KOPPLINGSSCHEMA | 17 |

TACK!

TACK!

Grattis till ditt köp av denna mångsidiga Honeywell Evaporativa Luftkonditionering. För en optimal kylning från Luftkonditioneringen, fyll vattentanken till maximal nivå och lägg i is i frysacket innan du sätter på din luftkonditionering.

Placering av Luftkonditioneringen (Viktigt - Vänligen Läs!)

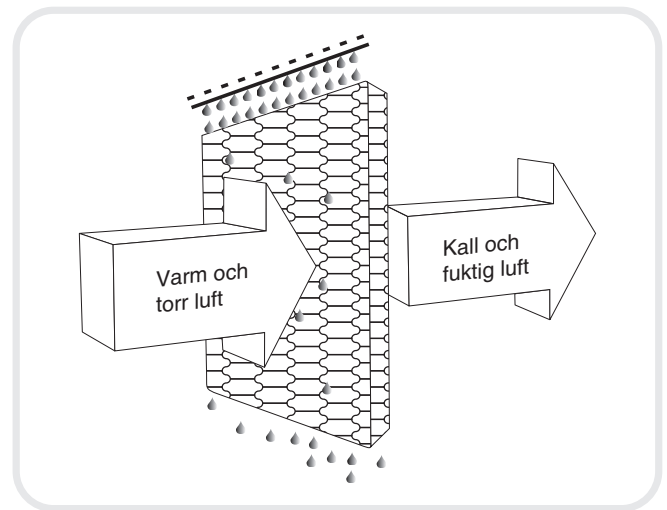
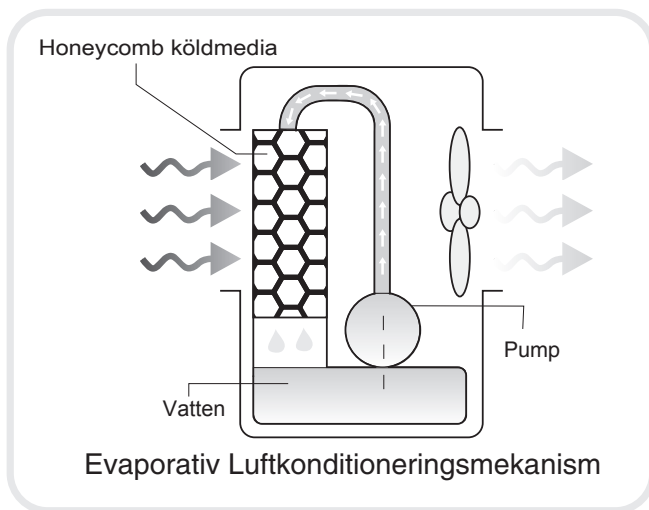
Placera luftkonditioneringen framför en öppen dörr eller ett fönster. Se till att det finns tillräckligt med korsdrag i rummet genom att lämna en dörr eller ett fönster öppet mittemot luftkonditioneringen. Med dessa riktlinjer kommer din luftkonditionering att fungera effektivt och optimalt.

Inte en Airconditioner (Viktigt - Vänligen Läs!)

Den evaporativa Luftkonditioneringen är inte en airconditioner, eftersom den inte använder en kompressor eller kylgas. Det bör inte förväntas att den kyler ner så effektivt som en airconditioner med kylgas.

Energieffektiv, Ingen kompressor

Honeywells Evaporativa Luftkonditioneringar är byggda för att maximera energieffektiviteten och hålla kostnaderna nere. Varm luft sugas in i luftkonditioneringen genom ett damm- och luktreducerande kolfilter och kommer in i Honeycombs kylmedia. Vatten som pumpas från tanken sprider sig över Honeycombs kylmedia. Eftersom den varma luften passerar igenom median, absorberar vattnet värmen och ger en naturlig nedkylning och fuktig luft. En fläkt driver den nedkylda luften ut i rummet. Detta system utan en kompressor kyler luften naturligt, effektivt och billigt.



ANVÄNDARTIPS

Den rekommenderade maximala relativa luftfuktigheten som ger en märkbar temperaturminskning är 60% eller mindre. Temperaturminskningen blir större i torrare klimat, efter det sker en högre avdunstning när luftfuktigheten är låg.

Den evaporativa luftkonditioneringen bör inte anslutas i stängda utrymmen. Den måste sättas på ett plant golv och det måste finnas vatten i vattentanken. Rummet ska ha dörrar och fönster som kan öppnas och ge ett fritt luftflöde. Den evaporativa luftkonditioneringen fungerar bäst när den placeras nära ett öppet fönster så att luften utifrån kan dras in i den evaporativa luftkonditioneringen, luften cirkulerar i rummet och kommer ut genom dörren. Den maximala kyleffekten kan kännas när en person står i luftdraget som kommer ur den evaporativa luftkonditioneringen.

Den evaporativa luftkonditioneringen kan också användas till att fukta torr luft när det är kallt väder. När den ska användas till detta bör fönster och dörrar vara stängda så att den fuktiga luften kan ackumuleras.

Obs:

När produkten används för första gången kommer Honeycomb kylmedia att avge en lukt som försvinner efter några timmar.



Rum med öppna fönster och dörrar
(REKOMMENDERAS)



Rum med stängda fönster och dörrar
(REKOMMENDERAS INTE)



LÄS OCH SPARA DESSA INSTRUKTIONER:

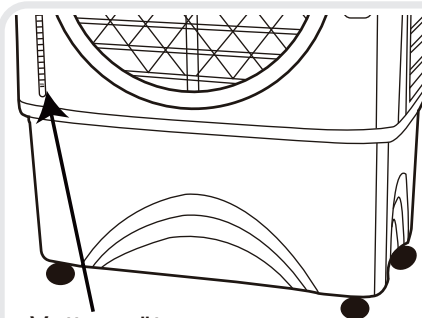
När man använder sig av elektriska apparater måste de grundläggande säkerhetsföreskrifterna alltid följas:

- Din luftkonditioneringen kör på 220 Volt, AC, 50Hz ström. Kontrollera fastighetens nätspänning för att matcha apparatens specifikationer.
- Innan du använder produkten, ta ut den ur förpackningen och kontrollera att den är i bra skick.
- ANVÄND ALDRIG en produkt med en skadad sladd eller kontakt.
- LÄGG ALDRIG strömkablarna under mattor och dölj den heller inte med mattor eller löpare. Håll sladden borta från de områden där man kan snubbla över den.
- Dra alltid ur kontakten innan du fyller på produktens vattentank.
- Dra alltid ur kontakten från strömkällan innan rengöring, service eller när du ska flytta på enheten.
- Dra alltid sladden ur det elektriska uttaget genom att ta tag i och dra i sladdens kontakt, dra aldrig i själva sladden.
- ANVÄND INTE produkten i områden där det finns bensin, färg eller andra brandfarliga material och föremål.
- När du använder "COOL" inställningen, kontrollera vattentanken för att vara säker på att den är full. Om du använder luftkonditioneringen på "COOL" medan vattentanken är tom kan det resultera i skador på vattenspumpen.



220 Volt AC 50Hz

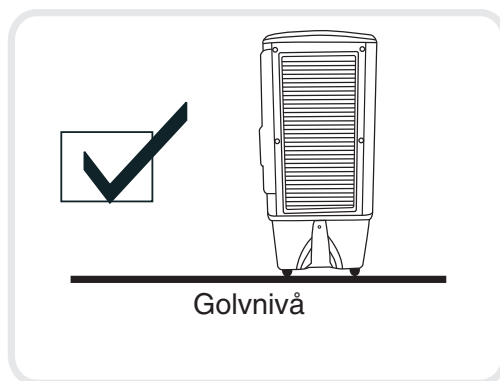
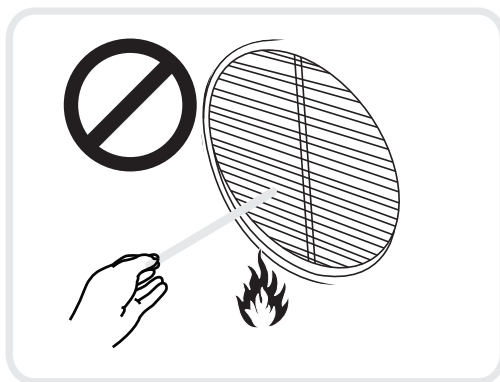
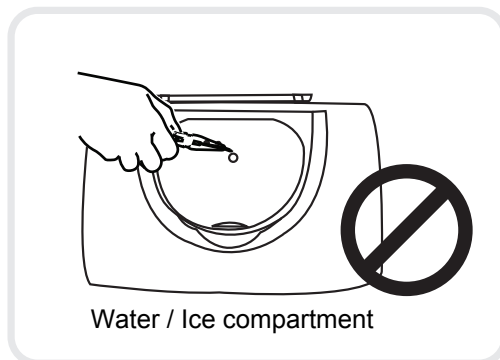
Risk för stötar



Vattenmätare

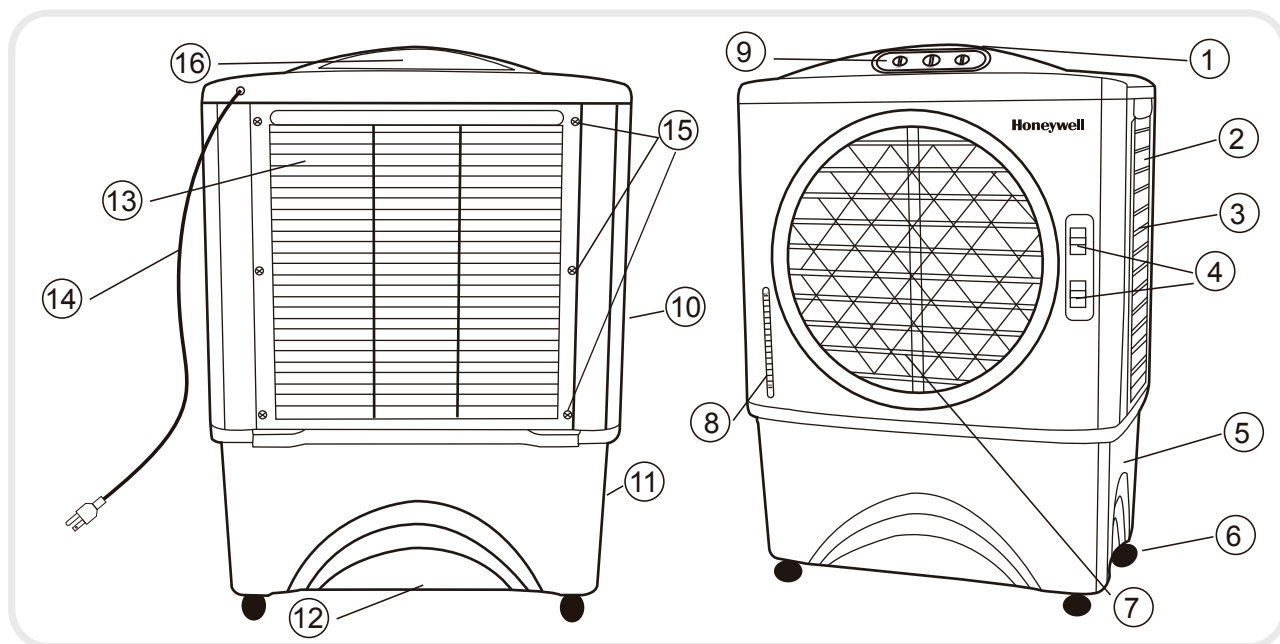
SÄKERHET

- FÖRSÖK INTE reparera eller justera elektriska eller mekaniska funktioner på luftkonditioneringen eftersom detta kan göra garantin ogiltig.
- TÄCK INTE för luftintaget eller utblåset på apparaten eftersom detta kan orsaka motorskador.
- STOPPA INTE in eller låt inga föremål komma in i ventilationen eller utloppsöppningen eftersom detta kan skada produkten och orsaka en elektrisk stöt eller brand.
- ANVÄND INTE produkten medan Honeycomb inte är ansluten, detta kommer att överbelasta och skada motorn.
- LÄMNA INTE den igångvarande apparaten utan uppsikt i längre tid åt gången.
- LÅT INTE barn leka med apparaten, förpackningen eller plastpåsar.
- Om enheten är skadad eller om den inte fungerar, använd inte enheten. Se avsnittet Felsökning och sök professionell rådgivning.
- Placera enheten på ett plant golv.
- Denna produkt är inte avsedd för användning i våta eller fuktiga områden.
- Använd INTE enheten i badrummet. Placera aldrig produkten vid ett badkar eller en annan vattenbehållare där den kan riskera att falla i.
- Förvara enheten i ett torrt utrymme när den inte används.



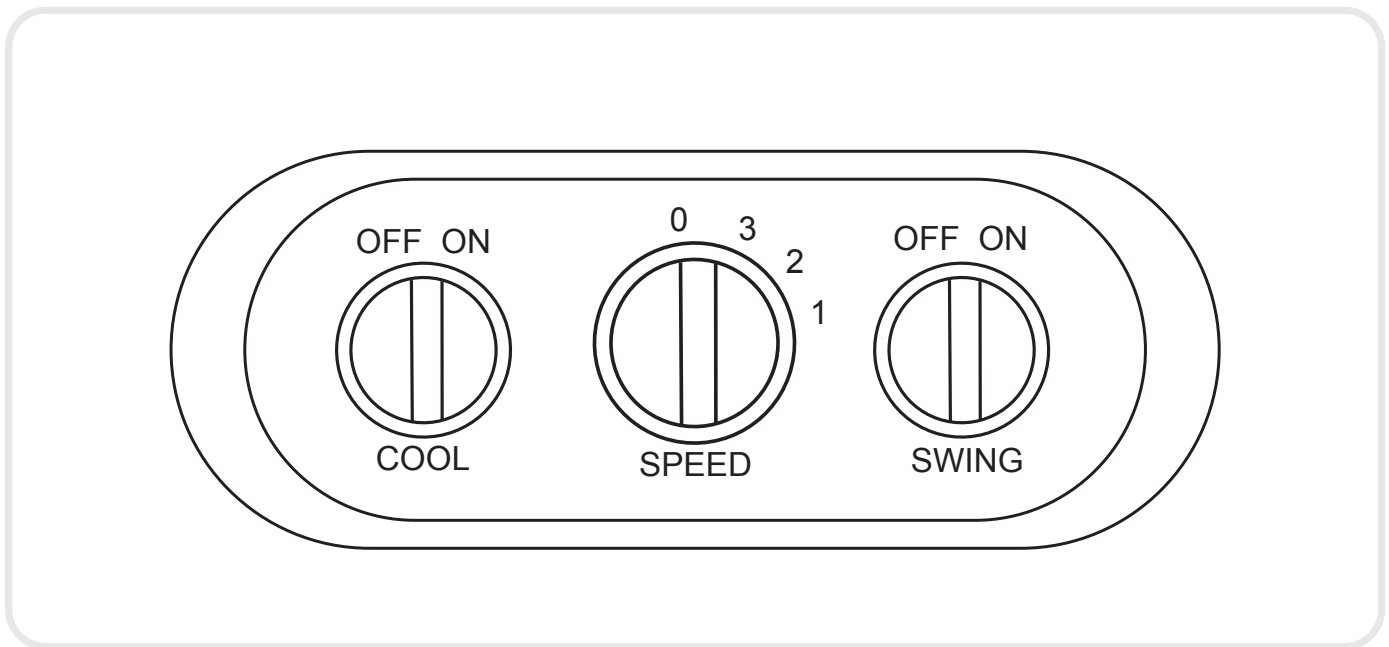
- Denna apparat är inte avsedd att användas av personer (inklusive barn eller äldre) med nedsatt fysik, sensorisk eller mental förmåga eller brist på erfarenhet och kunskap, såvida de inte har fått handledning eller instruktioner om användning av apparaten av en person som ansvarar för deras säkerhet.
- Ta alltid tag i sidohandtagen när du ska flytta luftkonditioneringen.
- Använd inte förlängningsladdar för inomhusbruk utomhus. Leta efter förlängningsledningar som är gjorda för utomhusbruk. Leta efter förlängningsledningar som har en inbyggd jordfelsbrytare. Se till att strömstyrkan på förlängningsledningen är högre än strömstyrkan på apparaten. Kolla etiketten och manualen på apparaten och förlängningsledningen för att hitta strömstyrkan. Strömkablarna ska gömmas undan. Om de måste ligga längs med marken, ska du se till att varje cm är säkrad så att man inte kommer till att snubbla över dem. Ledningar och anslutningar måste vara vattentäta. Var noga med att anslutningarna (till luftkonditioneringen) aldrig bliver våta. Din enhet är vattentät, men allt som kopplas till den ska också vara vattentätt. Placera din enhet så att man inte kan snubbla över den eller att den kan lösgöra sig. Den måste stå på ett fast underlag.

BESKRIVNING AV DELAR



- | | | | |
|---|--------------------------------|----|---|
| 1 | Vatteninlopp och Isfack | 9 | Kontrollpanel |
| 2 | Handtag | 10 | Högra Honeycomb Panel |
| 3 | Vänster Honeycomb Panel | 11 | Påfyllning av vatten (kontinuerlig vattenanslutning) |
| 4 | Spak för horisontella lameller | 12 | Avtappingsplugg |
| 5 | Vattentank | 13 | Bakre Honeycomb panel |
| 6 | Hjul | 14 | Ström kabel & Plugg |
| 7 | Vågräta lameller | 15 | Borttagning av skruvar på bakre galler |
| 8 | Vatten Nivå Indikator | 16 | Vattenintags ingång |

Kontrollpanel



ANVÄNDNING & DRIFT

FUNKTIONSKNAPPAR

Hastighet/På - Avstängd

Anslut till elnätet och vrid på Hastighetsreglaget och fläkten kommer att starta. Ändra hastigheten från 1 Låg till 2 för Medium till 3 Hög. För att stänga av apparaten, vrid hastighetsreglaget till "0".

SPEED

Tryck på "SPEED"-knappen för att justera från Hög till Låg.

COOL

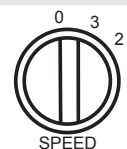
För att kyla ner det önskade området, vrid "COOL " läget till "ON". Vattenpumpen går nu igång. Du kan känna den svalare luften när Honeycomb median är helt våt.

SWING

Vrid "SWING" läget till "ON". Lamellerna börjar nu att röra sig från höger till vänster automatiskt. Justera de horisontella lamellerna för att ändra till vertikal luftström.

HORISONTELLA LAMELLER

Justera de horisontella lamellerna för att ändra till vertikalt luftflöde.



VARNING

Koppla från strömkällan vid påfyllning.

Påfyllning av vatten

Vatten kan fyllas på i luftkonditioneringen genom:

Vatteninlopp (manuellt)

Vatten/Is kan hällas i tanken genom den övre öppningen. Det finns ett hål för vattnet så att det kan strömma in i tanken.

Kontinuerlig vattenanslutning (Automatisk påfyllning)

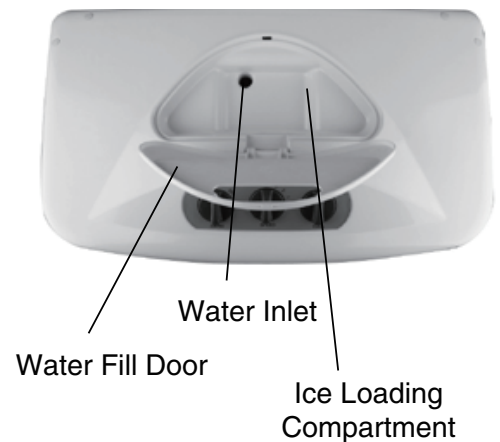
Anslut en trädgårdsslang till det kontinuerliga vatteninloppet.

Vatteninlopp (manuellt)

För att fylla på vattentanken, öppna vattenintags ingången som finns på toppen av enheten (#16 på sida 8) och fyll på till max, som anges på vattenindikatorn (#8 på sida 8)

Fyll inte på vatten över Max markeringen.

För maximal kyleffekt, placera isbitar i isfacket som finns på toppen av luftkonditioneringen (#1 på sida 8)



ANVÄNDNING & DRIFT

Påfyllning av vatten (Kontinuerlig vattenanslutning)

VARNING

Koppla från strömkällan innan du fyller på

Denna process gör att du inte behöver fylla på vattentanken manuellt.

Tillslut den kontinuerliga vattenanslutningens kontakt försiktigt (på den nedre vänstra sidopanelen #11 på sida 8) till vattenförsörjningen.

Slå på vattnet

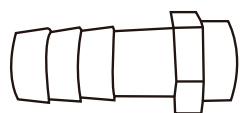
Vattentanken fylls automatiskt

Vattenflottörventilen känner av vattennivån och startar eller stoppar vattenflödet automatiskt.

Anslut enheten till strömförsörjningen och sätt på enheten.

Installera Slang Adapter och flottörventil

Anslut trädgårdsslangen till vattentillförslen och slå på vattnet.



Hose Connectora



Viktigt - Vänligen läs!



- Luftkonditioneringen leveras med en Honeycomb kylmedia.
- Hur ofta du ska rengöra Honeycombs kylmedia beror på de lokala luft- och vattenförhållandena. I områden där mineralinnehållet i vattnet är högt kan mineralerna fastna på Honeycombs kylmedia och begränsa luftflödet. Töm vattenbehållaren och fyll den med färskt vatten minst en gång i veckan, det bidrar till miskning av mineralinnehållet. Om mineraler sitter fast i Honeycombs kylmedia bör man avmontera mediet och tvätta det i sötvatten. Mediet bör rengöras varannan månad eller oftare, beroende på ditt behov.
- Använd inte enheten i kylläge när det är unket vatten i tanken. Töm tanken och fyll den med färskt vatten om vattnet har stått i tanken under en längre period.
- För att få bästa resultat, låt Honeycombs kylmedia torka efter varje användning genom att stänga av coolfunktionen 15 minuter innan du stänger av enheten.

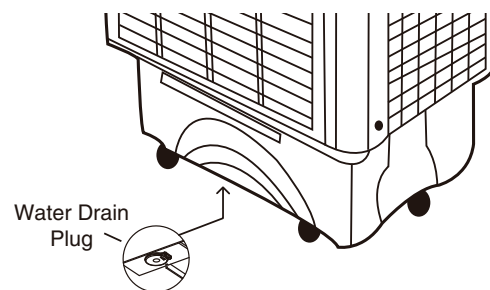
VARNING

- För rengöring, stäng av enheten och koppla ifrån strömkällan.
- Använd en fuktig trasa för att ta bort smuts och damm på utsidan av enheten.
- Använd aldrig slipande rengöringsmedel.
- När enheten inte används ska den förvaras torrt och inte i direkt solljus.

RENGÖRING & UNDERHÅLL

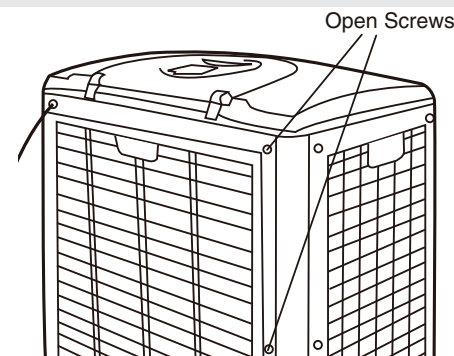
Dräning och Rengöring av Vattentanken

- Stäng av strömmen på "off" och koppla bort luftkonditioneringen från strömkällan.
- Flytta enheten till ett område där den kan tömmas.
- Ta bort avtappningspluggen och töm tanken (se sida 8, del 12).
- Fyll vattentanken med rent vatten till maximal nivå och töm den igen.
- Fyll vattentanken igen och skölj den minst 2-3 gången innan du använder den.
- Efter rengöring se till att oljepluggen är tillbaka på plats.
- Koppla in strömkällan igen och slå på enheten.



Rengöring av Honeycomb köldmedia

- Stäng av enheten och dra ut sladden ur eluttaget.
- Vrid enheten, så att du har baksidan mot dig och hitta skruvarna som sitter på bakre Galler (se sida 8, #15). Ta bort alla skruvarna med en skruvmejsel.
- Dra i det bakre gallret tills den är helt borttagen.
- Man kan nu se Honeycombs köldmedia. Rengör kolfiltret & Honeycomb med en ren trasa för att avlägsna damm och smutspartiklar.
- När du färdig, sätter du ihop enheten enligt beskrivningen ovan.
- Koppla på strömförsörjningen och tänd enheten.
- Luftkonditioneringen är nu klar att användas. Denna rengöring bör upprepas varje månad för att bibehålla integriteten hos enheten och för att avlägsna de partiklar som filtreras från luften.



FELSÖKNINGSGUIDE

| Problem | Möjlig orsak | Lösning |
|-------------------------------------|---|---|
| Släpper inte ut luft | Sladden är inte ikopplad | Se till att sladden är ansluten och att kontakten på tillförseln är påslagen. |
| | Strömmen är inte på | Starta apparaten genom att trycka på knappen på kontrollpanelen. |
| Ingen nedkylning/ Enheten väsnas | Pumpen är inte PÅSLAGEN. | På kontrollpanelen, vrid COOL Funktionen på "ON". |
| | Lågt eller inget vatten i tanken, när COOL väljs. | Fyll på vatten i vattentanken |
| | Skadad Pump eller Kalkavlagringar på fläkten | Kontakta servicecenter |
| Lukter | När Luftkonditioneringen är ny. | När produkten används för första gången kommer Honeycomb kylmedia att avge en lukt som försvinner efter några timmar. |
| | Om luftkonditioneringen har varit använd. | Det kan vara problem med alger. Byt ut Honeycombs kylmedia. |

Customer Support: +46 (0)31 761 36 10

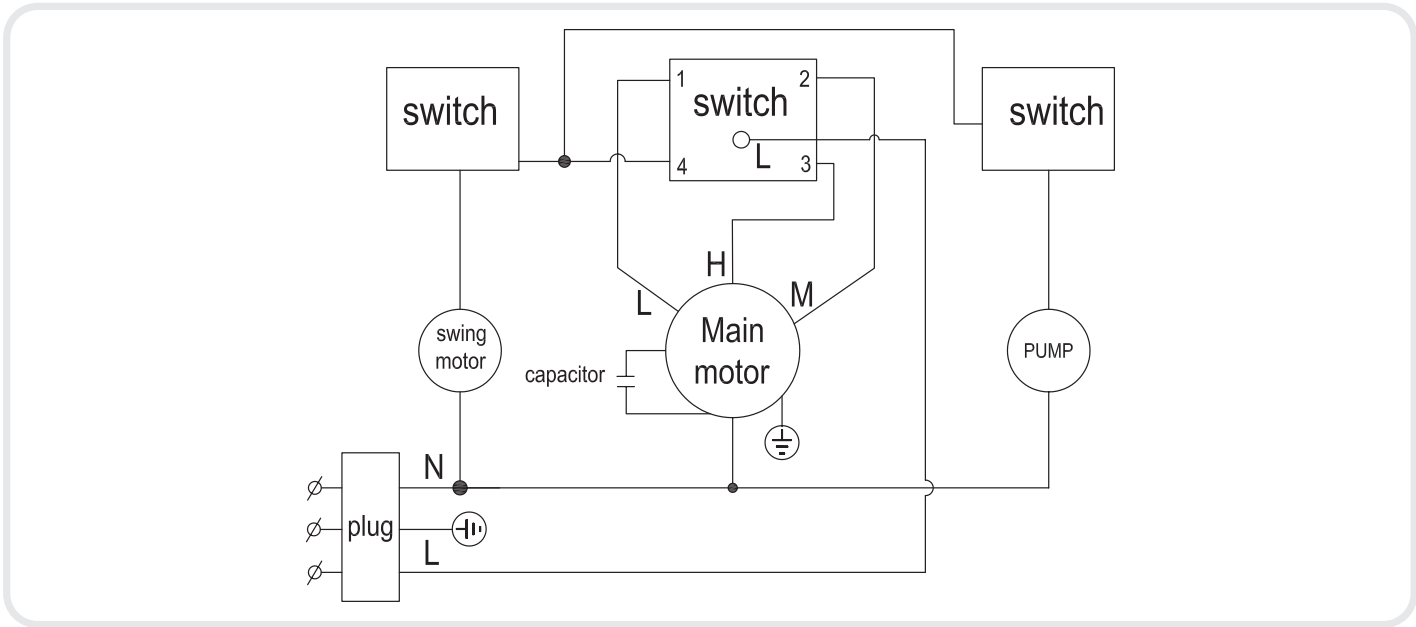
TEKNISKA SPECIFIKATIONER

MODELLNR.

CL48PM

| | |
|------------------------|-----------------------------|
| Spänning | 220V |
| Frekvens | 50Hz |
| Wattal | 140 Watts |
| Vattentankens volym | 48 Litre |
| Köldmedia | Honeycomb |
| Dimension på produkten | 620 (L) x 375 (D) x 868 (H) |
| Nettovikt | 13.3 Kg |

ELEKTRISKT KOPPLINGSSCHEMA



1-ÅRS BEGRÄNSAD GARANTI

Läs alla instruktioner innan du försöker använda denna produkt.

Denna 1-års begränsade garanti gäller reparation eller ersättningprodukt, om det visar sig vara defekt i materialet eller i utförandet.

Denna garanti gäller inte för skador som följd av kommersiell, våldsam, orimlig användning eller kompletterande skada. Defekter som är ett resultat av normal slitage kommer inte att betraktas som ett fabrikationssfel under denna garanti.

TES Scandinavia AB ÄR INTE ANSVARLIG FÖR DIREKTA ELLER INDIREKTA SKADOR AV NÅGOT SLAG. GARANTI OM SÄLJBARHET ELLER LÄMPLIGHET FÖR ETT VISST ÄNDAMÅL FÖR DENNA PRODUKT ÄR BEGRÄNSAD VID DEN BEGRÄNSADE GARANTIN.

Vissa jurisdiktioner tillåter inte uteslutning eller begränsning av oförutsedda eller indirekta skador eller begränsningar för hur länge en lämpad garanti gäller; så ovanstående begränsningar eller undantag kanske inte gäller dig. Denna garanti ger dig specifika juridiska rättigheter och du kan också ha andra rättigheter som kan variera från land till land. Denna garanti gäller endast den ursprungliga köparen av denna produkt från inköps datumet.

Efter eget val, kommer TES Scandinavia AB, reparera eller ersätta produkten om det visar sig att vara en defekt i materialet eller utförandet.

Denna garanti täcker inte skador som har orsakats av obehöriga försök att reparera eller annan användning som inte är enligt bruksanvisningen.

Vänligen läs igenom bruksanvisningen noggrant innan du ställer in eller använder denna produkt. Om du tror att denna produkt har ett fabrikationsfel eller om du har frågor angående denna produkt, vänligen kontakta vår Kundtjänst: +46 (0)31 761 36 10

KUNDTJÄNST

När du kontakter vår Kundtjänst, vänligen ha informationen nedan tillgänglig tillsammans med inköpsbeviset. Alla anspråk på garantin ska ske med ett bevis på köpet; vilket är en kopia av det ursprungliga kvitto.

Modell:

Inköpsdatum:

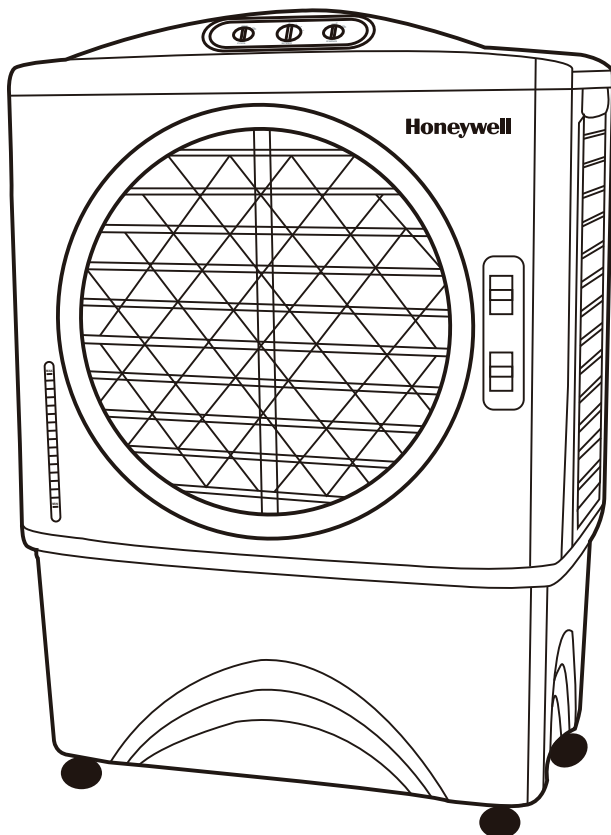
Inköpt av:

Honeywell

Portabel Evaporativ Luftkonditionering
for brug udendørs, indendørs og erhverv

BRUGSANVISING

Læs og gem disse instruktioner før brug.



Model: CL48PM

Effekt: 140 Watts
Mærkespænding: 220 Volt AC, 50Hz

For spørgsmål vedrørende produktet eller support, besøg www.honeywellaircoolers.com

TES Scandinavia AB
www.tesscandinavia.se, +46 (0)31 761 36 10

Fremstillet i P.R.C

HURTIG START GUIDE



Fyld op med vand og tilslut til en standard stikkontakt.

Bemærk: Sikre at ejendommens strømspænding svarer til produktspecifikationerne.



Placeres tæt ved en åben dør eller vindue.

Bemærk: Evaporativ lufkonditionering kræver en god ventilation.



Tænd og nyd den kølende brise.

Bemærk: Starte med en LAV hastighed og øg gradvis hastigheden for en optimal køling.

INDEKS

Læs alle instruktioner omhyggeligt før du installerer og betjener køleren, og gem denne brugsanvisning for fremtidigt brug. Denne brugsanvisning er lavet for at give dig vigtig information som skal bruges ved installation, drift, vedligeholdelse og fejlfindning for din køler. Hvis du ikke følger disse instruktioner kan det skade og / eller forringe dets funktion, og garantien bortfalder.

| SEKTION | SIDE |
|--------------------------------------|------|
| 1. TAK | 2 |
| 2. BRUGERTIPS | 3 |
| 3. SIKKERHED | 5 |
| 4. BESKRIVELSE AF DELE | 8 |
| 5. ANVENDELSE&DRIFT | 9 |
| Kontrolpanel | 9 |
| Kontrollknapper | 10 |
| Påfyldning af vand | 11 |
| 6. RENGØRING & VEDLIGEHOJDELSE | 13 |
| 7. FEJLFINDNINGS GUIDE | 15 |
| 8. TEKNISKE SPECIFIKATIONR | 16 |
| 9. LEDNINGSDIAGRAM | 17 |

TAK

TAK

Tillykke med dit køb af denne alsidige Honeywell Evaporativa Luftkonditionering. For optimal køling fra din køler, fyld vandtanken til det maksimale niveau og fyld is i fryseren, før du tænder for din luftkonditionering.

Placering av din Luftkonditionering (Vigtigt - Venligst Læs!)

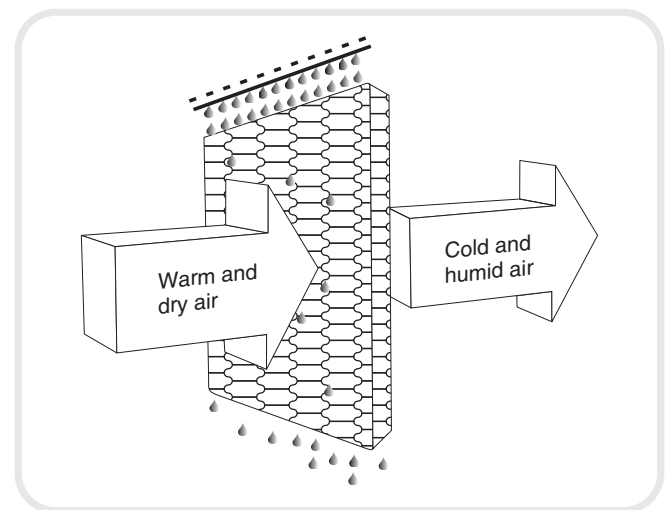
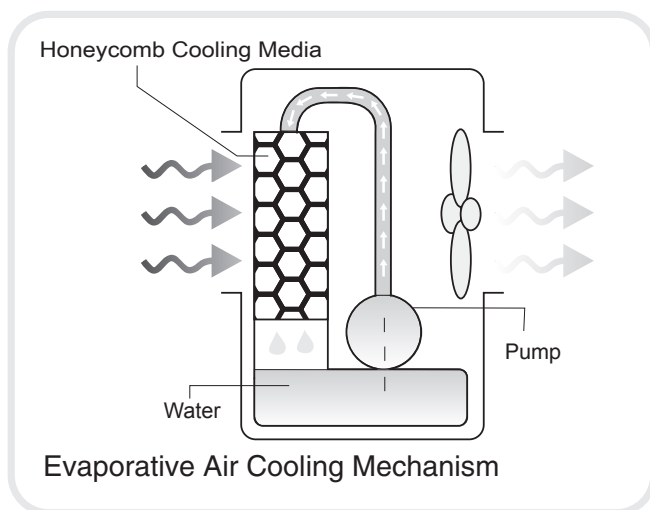
Placere kølern foran en åben dør eller vindue. Sikre at det er nok gennemtræk i rummet ved at lade en dør eller vindue stå åben, der står modsat av Lufkonditioneringen. Med disse retningslinjer vil din Lufkonditionering at virke effektivt og optimalt.

Ikke en Airconditioner (Vigtigt - Venligst Læs!)

Den evaporative lufkonditionering er ikke en airconditioner, da den ikke bruger en kompression eller kølegas. Man kan ikke forvente at den køler ned lige så effektivt som en airconditioner med kølegas.

Energieffektiv, Ingen Kompressor

Honeywell Evaporative Luftkonditionering er bygget til at maksimere energieffektiviteten og holde omkostningerne nede. Varm luft suges ind i kølern gennem et støv- og lugtreducerende kulfilter og går ind i Honeycombs kølemedie. Vandet fra vandpumpen spreder sig over mediet. Da den varme luft passerer igennem mediet, optager vandet varmen og giver en naturlig køling og befugtning af luften. En blæser driver den afkølede luft ud i rummet. Dette system uden kompressor, køler naturligt, effektivt og billigt.



BRUGERTIPS

Den maksimalt anbefalede luftfugtighed er 60% eller mindre, som giver en mærkbart temperaturfald. Temperaturfaldet vil være større i tørre klimaer, fordi det fordamper mere når luftfugtigheden er lav.

Den evaporative luftkonditionering bør ikke anvendes i lukkede rum. Den skal stå plant og det skal være vand i vandtanken. Rummet skal have døre og vinduer som kan åbnes og tillade luftcirkulation. Den evaporative luftkonditionering fungerer bedst når den placeres tæt ved et åbent vinduet, luften udefra vil blive trukket ind i den evaporative luftkonditioneringen, luften cirkulerer i rummet og går ud via døren. Den maksimale køleeffekt kan man mærke ved at at en person står i luftstrømmen når den kommer ud af den evaporative luftkonditionering.

Den evaporative luftkonditionering kan også bruges til at befugte tør luft ved koldt vejr. Når den skal bruges til dette, skal vinduer og døre være lukket, så at den befugtede luft kan cirkulere.



Room with open windows & door
(RECOMMENDED)



Room with closed windows & door
(NOT-RECOMMENDED)

Bemærk:

Når produktet bruges første gang, vil Honeycombs kølemedia afgive en lugt som forsvinder i løbet af få timer.



LÆS OG GEM DISSE INSTRUKTIONER

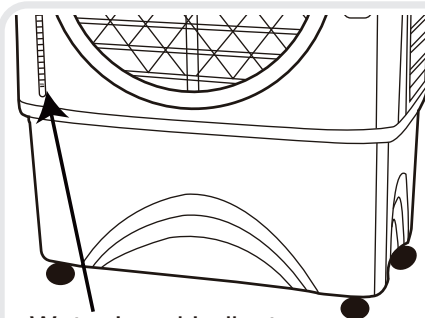
Når man bruger elektriske apparater, skal de grundlæggende sikkerhedsregler altid følges.

- Din Køler kører på 220 Volt, AC, 50Hz strøm. Kontrollere ejendommens spænding for at sikre at den svarer til apparatets specifikationer.
- Før du tager produktet i brug, ta den ud af emballagen og kontrollere at den er i god stand.
- Brug **ALDRIG** et produkt der har en skaded ledning eller kontakt.
- Træk **ALDRIG** kablerne under tæpper og gem den heller ikke under små gulvtæpper og andet. Ledninger skal ikke ligge i områder hvor man risikerer at falde over dem.
- Træk altid kontakten ud før du fylder vandtanken.
- Træk altid kontakten ud ad strømkilden før rengøring, service eller når du skal flytte enheden.
- Træk altid ledningen ud af stikkontakten ved at ta fat i selve kontakten, træk aldrig i ledningen.
- Brug **IKKE** produktet i områden hvor der er bensin, farve eller andre brandfarlige materialer eller formål.
- Når du bruger "COOL" indstillingen, kontrollere vandtanken for at være sikker på at den er fuld. Hvis du bruger kølern på "COOL" mens vandtanken er tom, kan det resultere i skader på vandpumpen.



220 Volt AC 50Hz

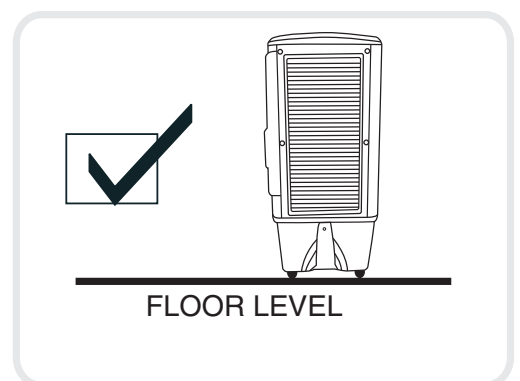
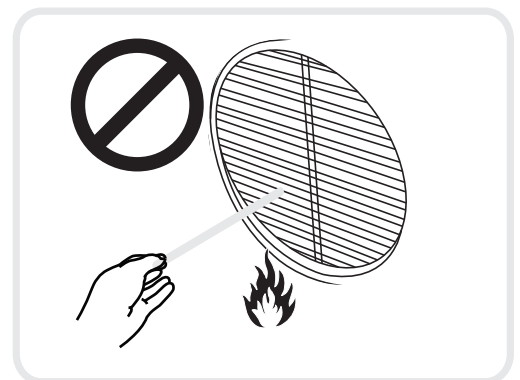
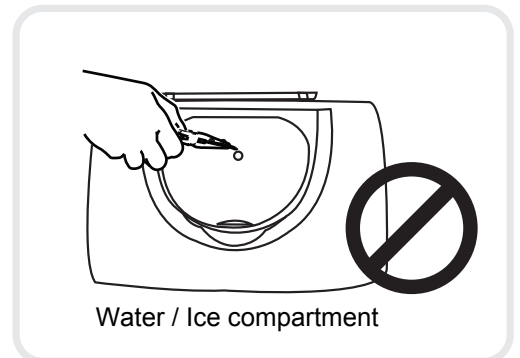
SHOCK HAZARD



Water Level Indicator

SIKKERHED

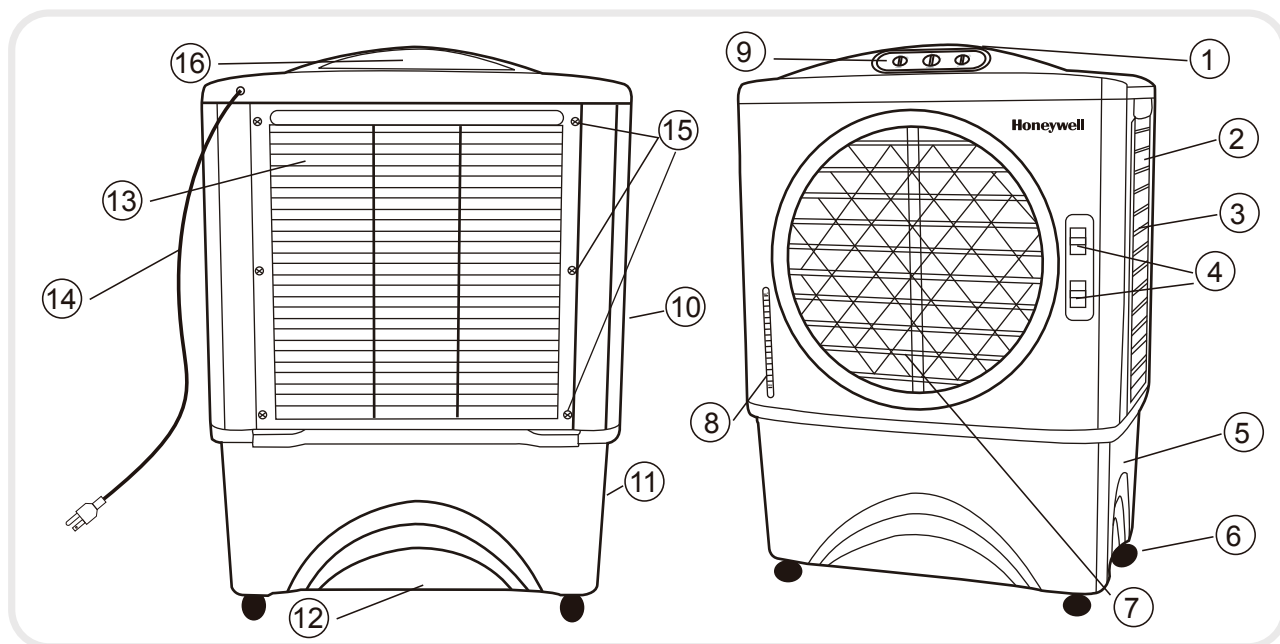
- Prøv IKKE at reparere eller justere de elektriske eller andre mekaniske funktioner på kølern; dette kan resultere i at garantien bliver ugyldig.
- Dæk IKKE luftindtaget eller udblæsningen til på apparatet, dette kan forårsage motorskader.
- Indsæt IKKE eller tillad ikke objekter at komme in i selve ventilationen eller udblæsningen, dette kan skade produktet og forårsage en elektrisk stød eller brand.
- Brug IKKE produktet mens Honeycomb mediet ikke er tilsluttet, dette kan overbelaste og skade motorn.
- Lad IKKE den igangværende apparat stå uden opsyn i længere tid ad gangen.
- Lad IKKE børn lege med apparatet, emballagen eller plasticposerne.
- Hvis enheden er skaded eller ikke fungerer, brug ikke enheden. Se afsnittet Fejlfinding og søg professionell rådgivning.
- Placere enheden på en plan overflade.
- Dette produkt skal ikke placeres i våde eller fugtige områder.
- Brug IKKE enheden på badeværelset. Placere aldrig produktet ved et badekar eller anden form af vandbeholdere, da den kan risikere at falde i.
- Opbevare enheden i et tørt område, når den ikke er i brug.
- Dette apparat skal ikke bruges af personer (inklusive børn eller ældre) med fysisk, sensorisk eller mental nedsættelse eller mangel på erfaring og kundskab, medmindre de har fået vejledning eller instruktioner i brug af apparatet, af en person der ansvarer for deres sikkerhed.
- Tag altid fat i sidehåndtagene når du skal flytte Luftkonditioneringen.



SAFETY RULES

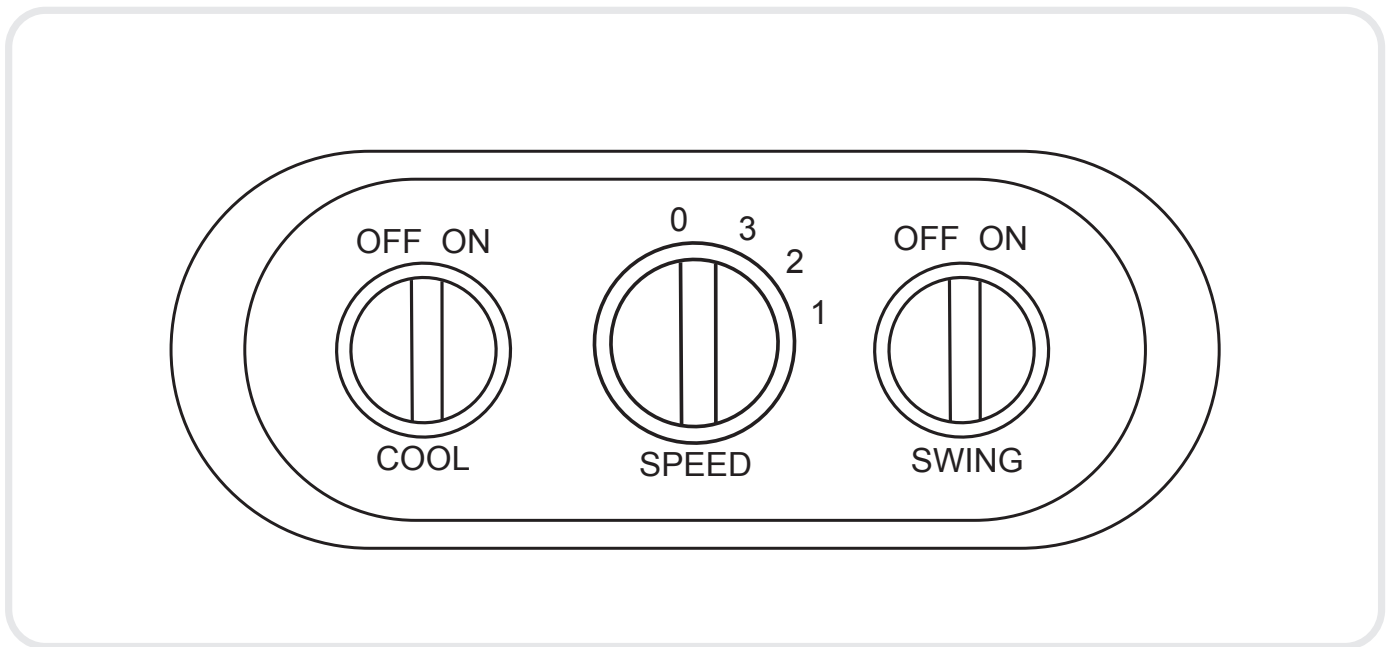
- Brug ikke forlængerledninger som er til indendørs brug udenfor. Søg efter forlængerledninger som er lavet for udendørsbrug. Søg efter forlængerledninger som har en inbygget jordafbryder.
- Sørg for at strømstyrken på forlængerledningen er højere end strømstyrken på apparatet. Kig på etiketten og manualen på apparatet og forlængerledningen for at finde strømstyrken.
- Strømkablerne skal gemmes væk. Hvis de er nødt til at ligge langs med jorden, skal du sørge for at sikre dem så at man ikke kan falde over dem.
- Ledninger til tilslutninger skal være vandtætte. Du skal være nøje med at tilslutningerne (til luftkonditioneringen) aldrig bliver våde. Din enhed er vandtæt, men alt som kobles til den skal også være vandtæt.
- Placere din enhed så at man ikke kan falde over den eller så at den kan løsne sig. Den skal stå på et fast underlag.

BESKRIVELSE AF DELE



- | | |
|-------------------------------------|--|
| 1 Vandtilløb og isskuffe | 9 Kontrolpanel |
| 2 Håndtag | 10 Højre Honeycomb Panel |
| 3 Venstre Honeycomb Panel | 11 Påfyldning av vand (kontinuerlig vandanslutning) |
| 4 Håndtag for horisontelle lameller | 12 Vand aftappningsprop |
| 5 Vandtank | 13 Honeycomb bagerste panel |
| 6 Hjul | 14 Strømkabel & Prop |
| 7 Vandrette lameller | 15 Skruer på det bagerste gitter |
| 8 Vandstandsindikator | 16 Vandtilslutning indgang |

Kontrolpanel

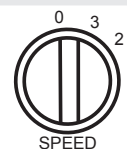


ANVENDELSE & DRIFT

FUNKTIONSKNAPPER

Hastighed/ På - Lukked

Tilslut til elnætet og drej på hastigheds regulatoren så at ventilatoren går i gang. Ændre hastigheden fra 1 Lav til 2 for Medium til 3 Høj. For at slukke for apparatet, drej på hastigheds regulatoren til "0"



SPEED

Tryk på "SPEED" knappen for at justere fra Høj til Lav.



COOL

For at afkøle det ønskede område, drej "COOL" funktionen til "PÅ". Vandpumpen vil nu gå igang. Du kan mærke den kølige luft når Honeycomb mediet er helt vådt.



SWING

Drej "SWING" funktionen over på "ON". Lamellerne vil nu begynde at bevæge sig fra højre til venstre automatisk. Justere de vandrette lameller manuelt for at skifte til en lodret lufstrøm.

HORISONTELLE LAMELLER

Justere de vandrette lameller for at ændre til en lodret lufstrøm.

ADVARSEL

Koble strømkilden fra ved påfyldning.

Påfyldning av vand

Vand kan fyldes i luftkonditioneringen via:

Vandtilløb (manuel)

Vand/Is kan fyldes op i tanken via åbningen foroven. Der findes et hul for vandet så at det kan komme ind i tanken.

Kontinuerlig vandtilsutning (Automatiks påfyldning)

Tilslut haveslangen til det kontinuerlige vandindløb.

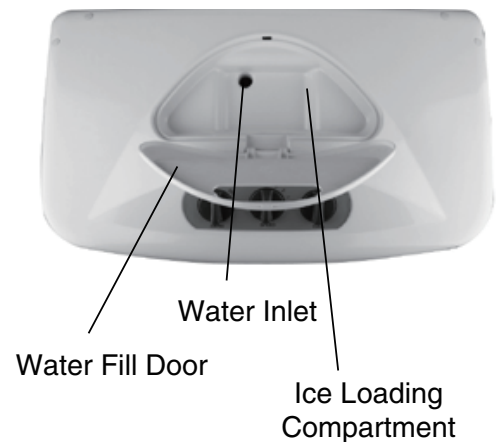
Vandtilløb (manuel)

Vandtilløb (manuel)

For at fylde vand i tanken, åbne indgangen til vandtilløbet som kan findes på toppen af enheden (#16 på side 8) og fyld op til maks. Som angives på vandindikatoren (#8 på side 8)

Fyld ikke vand over Maks markeringen.

For maksimal køleeffekt, placere isterørninger i isskuffen som findes på toppen af luftkonditioneringen (#1 på side 8)



ANVENDELSE & DRIFT

Påfyldning av vand (kontinuerlig vand tilslutning)

ADVARSEL

Koble stømkilden fra, før du fylder vand i.

Denne proces gør at du ikke behøver at fylde vand i tanken manuelt.

Tilslut den kontinuerlige vandtilslutnings kontakten forsigtigt (på venstre sidepanel for neden #11 på side 8) til vandforsyningen.

Tænd for vandet

Vandtanken fyldes op automatisk

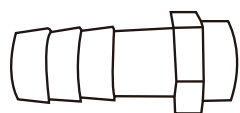
Svømmerventilen registrerer vandstanden og starter eller stopper vandforsyningen automatisk.

Tilslut enheden til strømforsyningen og tænd for enheden

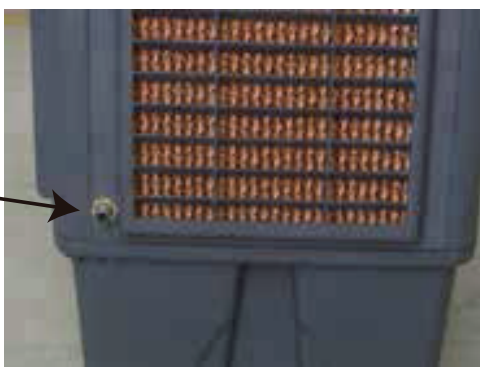
Installere Slange Adapter til svømmeventilen

Tilslut haveslangen til vandtilførslen og tænd for vandet.

Kontrollere at tilslutningerne er sikrede og tænd for vandet.



Hose Connectora



Viktigt - Læs Venligst!



- Køleren leveres med Honeycomb Cooling Media.
- Hvor tit du skal rengøre din Honeycomb Media kommer an på de lokale luft- og vandforhold. I områden hvor mineralindholdet i vandet er højt, kan mineralerne ophobe sig i kølemediet og begrænse luftstrømmen. Tøm vandbeholderen og fyld den op med friskt vand mindst en gang om ugen, dette vil bidrage til at mindske mineralforekomsterne. Hvis mineralerne har samlet sig på Honeycomb mediet, skal man afmontere mediet og vaske det i ferskvand. Mediet bør rengøres hver anden måned eller oftere, afhængigt af dine behov.
- Kør ikke enheden med funktionen "COOL" hvis det er gammelt vand i tanken. Tøm tanken og fyld den op med friskt vand, hvis vandet har stået i tanken i et længere tidsrum.
- For at opnå det bedste resultat, lad Honeycombs kølemedie tørre hver gang efter brug, ved at slukke for kølefunktionen i 15 minutter, før du slukker for enheden.

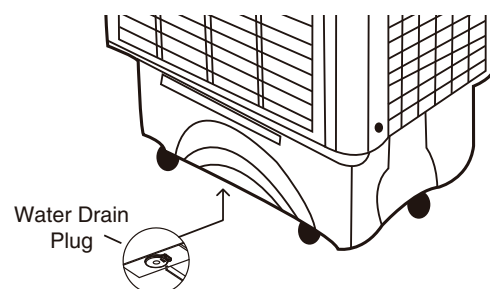
ADVARSEL

- Ved rengøring, sluk for enheden og koble strømkilden fra.
- Brug en fugtig klud for at fjerne snavs og støv udvendigt på enheden.
- Brug aldrig rengøringsmiddel med en slibende effekt.
- Når enheden ikke er brug skal den opbevares tørt og ikke i direkte sollys.

RENGØRING & VEDLIGEHOLDELSE

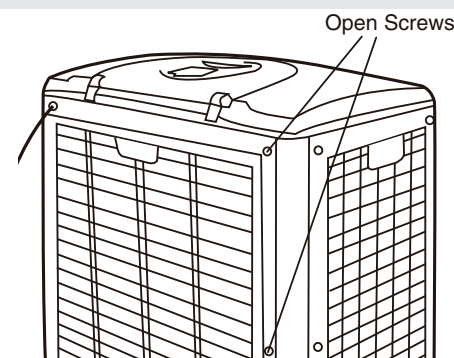
Tømning og Rengøring af Vandtank

- Sluk for strømmen og koble lufkonditioneringen fra strømkilden.
- Flytte enheden til et sted hvor den kan tømmes.
- Fjern vandaftapningsproppen og tøm tanken (se side 8, del 12)
- Fyld vandtanken med rent vand indtil den når det maksimale niveau og tøm den igen.
- Fyld vandtanken endnu engang och skyl den mindst 2-3 gange før du tager den i brug.
- Efter rengøring, sætter du vandaftapningsproppen på plads igen.
- Tilslut strømkilden og tænd for enheden.



Rengøring av Honeycomb kølemedie

- Sluk enheden og træk ledningen ud af stikkontakten.
- Drej enheden så at du har bagpanelet vendt imod dig og find de skruer som sidder på det bagerste gitter. (se side 8, #15). Fjern alle skruer med en skruetrækker.
- Træk i det bagerste gitter indtil den er fjernet helt.
- Du kan nu se Honeycombs kølemedie. Rengør kulfiltret & Honeycomb med en ren klud og fjern støv og andre urenheder.
- Når du er færdig samler du enheden igen ifølge beskrivelsen ovenover.
- Tilslut strømforsyningen og tænd for enheden.
- Luftkonditioneringen er nu klar til brug. Denne rengørings procedure skal gentages hver måned for at bibehålle standarden for enheden og for at fjerne partiklerne som bliver filtreret fra luften.



FEJLFINDNINGSGUIDE

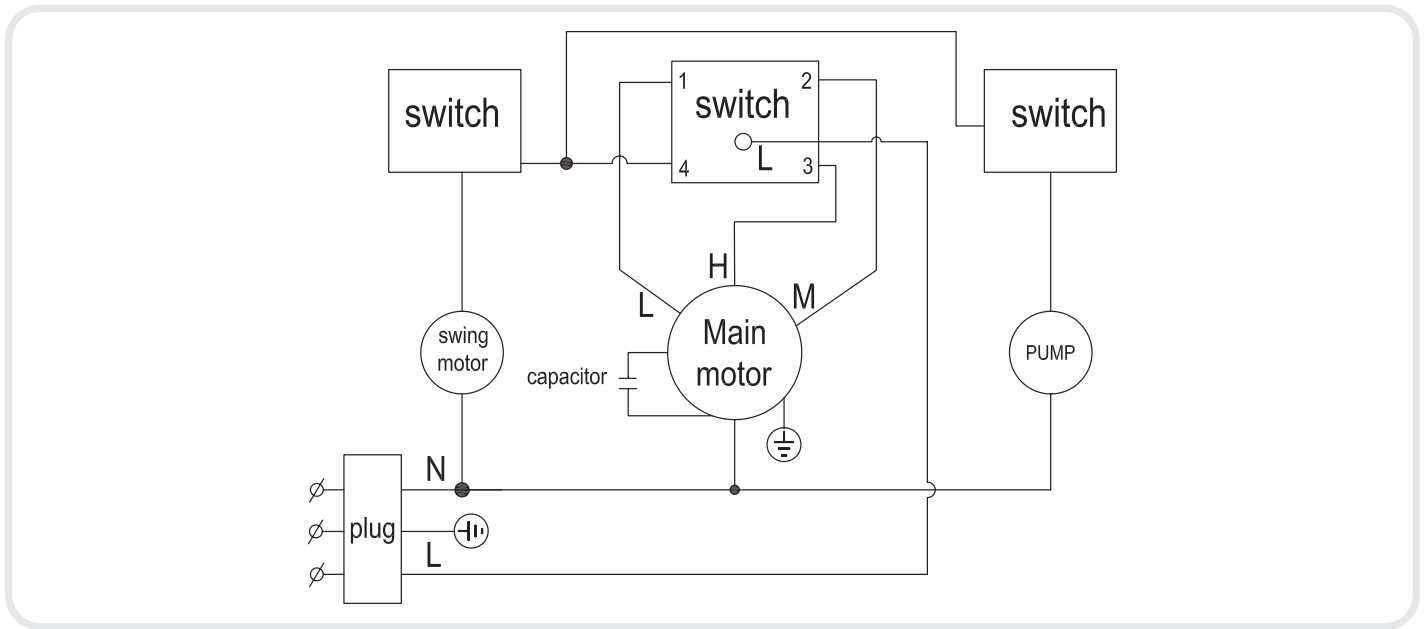
| Problem | Mulig årsag | Løsning |
|------------------------------------|---|--|
| Det kommer ikke nogen luft ud. | Ledningen er ikke sat i. | Se hvis ledningen er tilsluttet og at kontakten til tilførslen er tændt. |
| | Strømmen er ikke tændt | Tænd apparaten ved at trykke på knapperne på kontrolpanelen. |
| Ingen nedkøling/ Enheden larmer | Pumpen er ikke TÆNDT. | På kontrolpanelen, drej COOL funktionen over på "ON" |
| | Lav eller ingen vand i tanken, når man vælger COOL. | Fyld vand op i vandtanken. |
| | Skaded Pump eller Kalkaflejringer i blæsern. | Kontakte servicecentret |
| Lukt | Når kølern er ny. | Når produktet bruges første gang, vil Honeycombs kølemedia afgiv en lukt som forsvinder i løbet af få timer. |
| | Hvis kølern er blevet brugt. | Det kan være et problem med alger. Skift Honeycombs kølemedie. |

TEKNISKE SPECIFIKATIONER

MODELNR. **CL48PM**

| | |
|------------------------|-----------------------------|
| Spænding | 220V |
| Frekvens | 50Hz |
| Wattal | 140 Watts |
| Vandtankens volume | 48 Litre |
| Kølemedie | Honeycomb |
| Dimension på produktet | 620 (L) x 375 (D) x 868 (H) |
| Nettovægt | 13.3 Kg |

LEDNINGSDIAGRAM



SERVICE OG GARANTI

GARANTI I HENHOLD TIL KØBELOVEN

Læs alle instruktioner før du bruger dette produkt.

Garantien gælder reparation eller erstatningsprodukt, hvis det viser sig at være en defekt i materialet eller ved en fabrikationsfejl.

Denne garanti gælder ikke for nogen skader som følge af kommercielt brug, voldsomt urimelig brug eller anden supplerende skade. Defekter som er et resultat af almindelige slitage, vil ikke betragtes som fabrikationsfejl under denne garanti.

Swim & Fun Scandinavia FIRMA ER IKKE ANSVARLIG FOR DIREKTE ELLER INDIREKTE SKADER AF NOGEN ART. GARANTI FOR SALGSBAREHED ELLER EGNETHED TIL ET BESTEMT FORMÅL. FOR DENNE PRODUKT ER BEGRÆNSET TIL DEN BEGRÆNSEDE GARANTI.

Nogle jurisdiktioner tilader ikke en udelukkelse eller begrænsning af uforudsete eller indirekte skader eller begrænsninger for hvor længe en påført garanti varer; ovenstående begrænsninger eller udelukkelser gælder muligvis ikke dig. Denne garanti giver dig specifikke juridiske rettigheder og du kan også have andre rettigheder der kan variere fra land til land. Denne garanti gælder kun den oprindelige køber af dette produkt fra indkøbsdatoen.

Efter eget valg, vil Swim & Fun Scandinavia, reparere eller erstatte produktet hvis det viser sig at være en defekt i materialet eller en produktionsfejl.

Denne garanti dækker ikke skader som er følge af uautoriserede forsøg på at reparere eller anden brug som ikke er i overensstemmelse med brugsanvisningen.

Venligst læs brugsanvisningen nøje før du installerer og tager produktet i brug. Hvis du tror at dette produkt har en fabrikationsfejl, eller hvis du har spørgsmål vedrørende dette produkt, venligst kontakte vores Kundeservice: +46 (0)31 761 36 10

KUNDESERVICE

Når du kontakter vores Kundeservice, venligst have al information parat forneden sammen med købsbeviset. Når man gør krav på garantien, skal dette ske med et købsbevis; hvilket er en kopi af den oprindelige kvittering.

Model.....

Købsdato.....

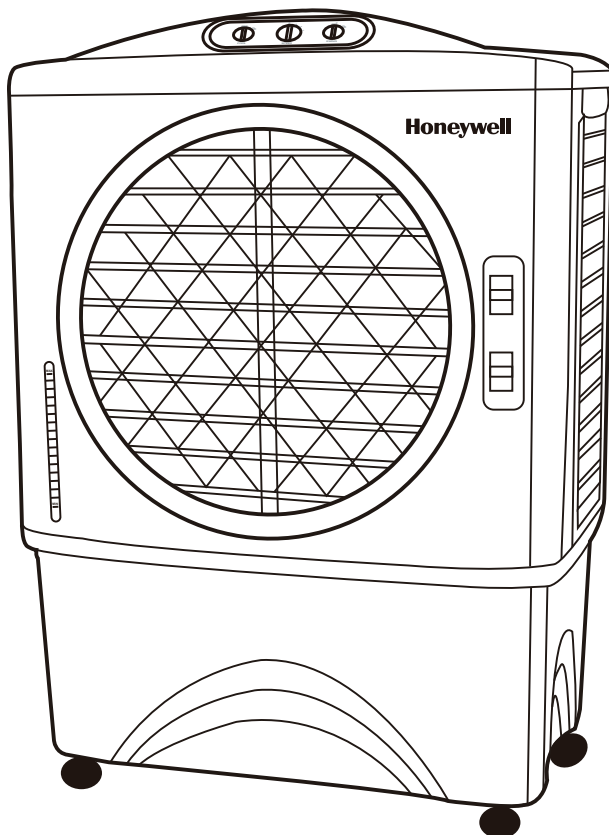
Købt af.....

Honeywell

Bærbar fordampende luftkjøler
for utendørs, innendørs og kommersiell bruk

EIERMANUAL

Les og lagre disse instruksjonene før bruk



Modell:CL48PM

Effekt: 140 Watts
Spenning: 220 Volt AC, 50Hz

For henvendelser om produktet eller brukerstøtte, vennligst besøk www.honeywellaircoolers.com

TES Scandinavia AB
www.tesscandinavia.se, +46 (0)31 761 36 10

Laget i P.R.C

QUICKSTART GUIDE



Fyll med vann og plugg inn i et standard strømuttak

Merk: vennligst vær sikker på at strømspenningen hos deg svarer til produktet.



Plasser nært en åpen dør eller et vindut

Merk: luftkjøleren trenger god ventilasjon.



Skru PÅ og nyt den behagelige luften.

Merk: start på lav hastighet og gradvis juster til høyere hastighet, da vil du nå luftkjølerens optimale avkjølede effekt.

INDEKS

Les alle instruksjonene nøye før du installerer og bruker luftkjøleren, vennligst behold denne bruksanvisningen for framtidig bruk. Denne bruksanvisningen er designet for å gi deg viktig informasjon som du trenger for å installere, bruke, vedlikeholde og eventuelt reklamere på luftkjøleren. Følger du ikke disse instruksjonene kan du skade eller svekke den og ugyldiggjøre garantien.

| DEL | SIDE |
|------------------------------------|------|
| 1. TAKK | 2 |
| 2. BRUKERTIPS | 3 |
| 3. SIKKERHET | 5 |
| 4. BESKRIVELSE AV DELER | 8 |
| 5. BRUK | 9 |
| Kontrollpanel | 9 |
| Kontrollknapper | 10 |
| Fylling av vann | 11 |
| 6. RENGJØRING OG VEDLIKEHOLD | 13 |
| 7. PROBLEMLØSNING | 15 |
| 8. TEKNISKE SPESIFIKASJONER | 16 |
| 9. ELEKTRISK DIAGRAM | 17 |

TAKK!

TAKK!

Gratulere som ny eier av Honeywell Evaporative Air Cooler. For optimal avkjøling bør du fylle vanntanken til maksimum nivå og legge isbiter i ishyllen før du skrur på luftkjøleren.

Plassering av luftkjøler (viktig - vennligst les!)

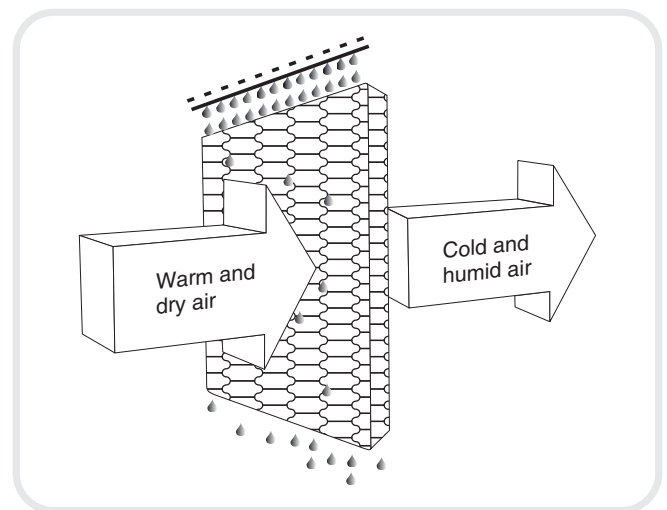
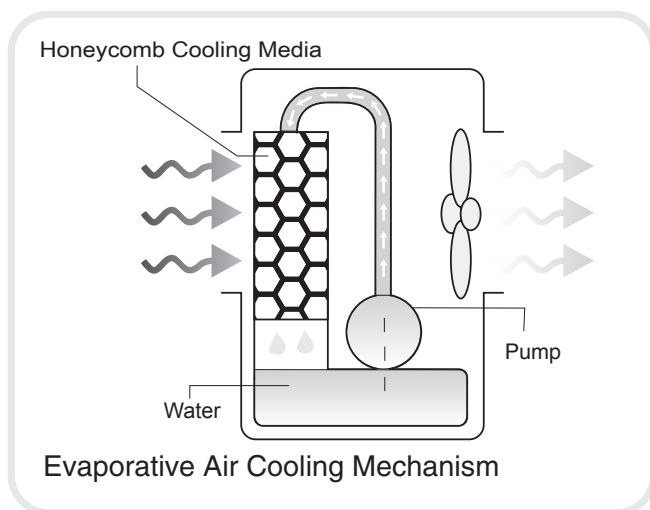
Plasser luftkjøleren foran en åpen dør eller et åpent vindu. Vær sikker på at det finnes tilstrekkelig ventilasjon i rommet ved å ha en åpen dør eller et åpent vindu på motsatt side av luftkjøleren. Ved å følge disse retningslinjene så vil du være sikker på at din luftkjøler fungerer så effektivt som mulig.

Ikke en air conditioner (viktig - vennligst les!)

Luftkjøleren er ikke en air conditioner siden den ikke bruker en kompressor eller kuldemedier. Det burde derfor ikke være forventet at den avkjøler like effektivt som en air conditioner.

Energieffektiv, ingen kompressor

Honeywell Evaporative Air Cooler er bygd for å være mest mulig energieffektiv og holde strømkostnadene lave. Varm luft blir dratt inn i luftkjøleren gjennom et støv og luktfjerningsfilter og videre inn i Honeycomb Cooling Media. Vann som blir pumpet fra tanken blir helt over honeycomb media. Når varm luft passerer gjennom så absorberer vannet varmen, luften blir dermed avkjølt og fuktet på en naturlig måte. En vifte sender den nedkjølte luften ut i rommet. Dette systemet, uten kompressor, kjøler ned naturlig, effektivt og billig.



BRUKERTIPS

Det høyeste anbefalte fuktighetsnivået er 60% eller mindre, noe som tillater temperaturen å minker merkbart mye. Temperaturen vil synke mer i tørre klimaer siden høyere fordampning forekommer når fuktigheten er lav.

Den fordampende luftkjøleren må ikke brukes i lukkede rom. Den må holdes i vater og det må være vann i vanntanken. Rommet bør ha åpne dører og vinduer for å opprettholde en jevn gjennomstrømning av luft. Den fordampende luftkjøleren fungerer best nært et åpent vindu slik at luft fra utsiden blir dratt inn i luftkjøleren, luften sirkulerer i rommet så forlater den rommet gjennom døren. Maks kjøleeffekt kjennes når personen står i luftstrømmen som kommer ut av luftkjøleren.

Den fordampende luftkjøleren kan også bli brukt til å tilføre fuktighet til tørr luft under kaldt vær. For å bruke den til å tilføre fuktighet så bør vinduer og dører være lukket for å la den fuktige luften sirkulere.



Room with open windows & door
(RECOMMENDED)



Room with closed windows & door
(NOT-RECOMMENDED)

Merk:

Når produktet blir brukt for første gang, så vil Honeycomb Cooling Media ha en spesiell lukt, denne lukten vil forsvinne i løpet av et par timer etter førstegangsbruk.



LES OG LAGRE DISSE INSTRUKSJONENE:

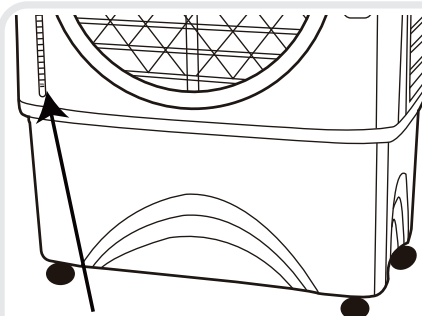
Når du bruker elektriske apparat skal vanlige sikkerhetstiltak alltid følges.

- Luftkjøleren din går på 220 Volt AC, 50Hz. Sjekk husets strømspenning for å være sikker på at det passer med produktet.
- Før du bruker produktet, ta det ut av emballasjen og sjekk om det er i god tilstand.
- IKKE bruk produktet med en ødelagt ledning eller stikkontakt.
- IKKE legg strømledningen under gulv eller dekk det med et teppe eller løpere. Hold ledningen unna områder hvor du kan snuble i den.
- Ta alltid ut stikkontakten før du fyller vanntanken.
- Ta alltid ut kontakten på apparatet før rengjøring, vedlikehold eller flytting av enheten.
- Ta ut strømledningen fra støpselet for hånd, aldri trekk i ledningen.
- Bruk IKKE produktet i områder hvor bensin, maling eller andre brennbare væsker og materialer er lagret."
- Når du bruker ""COOL"" innstillingen, sjekk vanntanken for å sikre at den er full. Bruk av denne luftkjøleren på ""COOL"" innstilling med en tom tank kan skade vannpumpen.



220 Volt AC 50Hz

SHOCK HAZARD



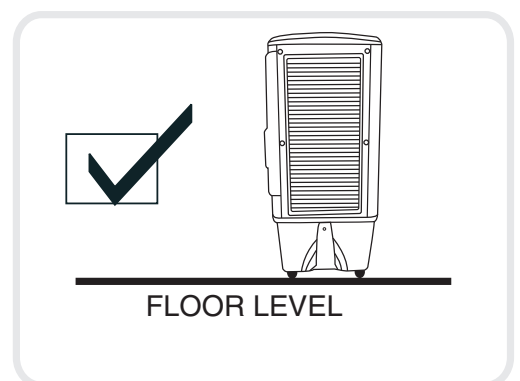
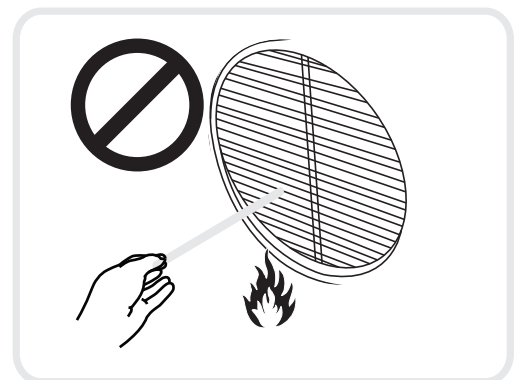
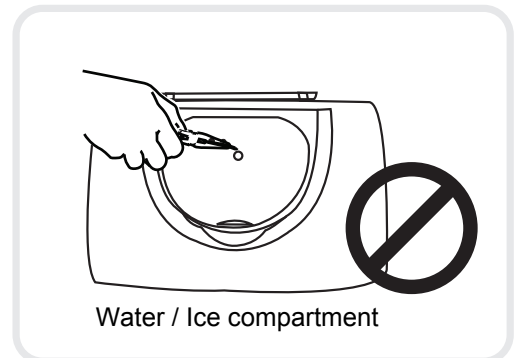
Water Level Indicator

SIKKERHET

- IKKE prøv å reparere eller justere elektriske eller mekaniske funksjoner på luftkjøleren siden dette kan ugyldiggjøre garantien.
- IKKE dekk luftinntaket eller uttaket på produktet, dette kan resultere i motorskade.
- IKKE sett inn eller tillat objekter å komme inn i ventilasjonen eller åpningen da dette kan skade produktet eller resultere i elektrisk støt eller brann.
- Bruk IKKE produktet når Honeycomb Media er fjernet, dette kan overbelaste eller skade motoren.
- Forlat IKKE produktet når det er i bruk i lengre perioder.
- IKKE la barn leke med dette produktet, emballasjen eller plastikkposer.
- Om enheten er skadet eller om den ikke virker, må du ikke fortsette å bruke det. Henvend deg til problemløsningsdelen og søk profesjonell hjelp.
- Plasser enheten på et gulv i vater.
- Dette produktet skal ikke brukes i våte eller fuktige områder.
- Bruk IKKE på bad. Aldri plasser produktet hvor det kan falle opp i et badekar eller andre vannbeholdere.
- Oppbevar produktet i tørre områder når det ikke er i bruk.
- Dette apparatet er ikke beregnet på bruk av personer (inkludert barn eller eldre) med nedsatt fysiske, sensoriske eller mentale evner, eller som har mangel på erfaring og kunnskap, uten tilsyn eller opplæring av en person som har ansvar for deres sikkerhet.

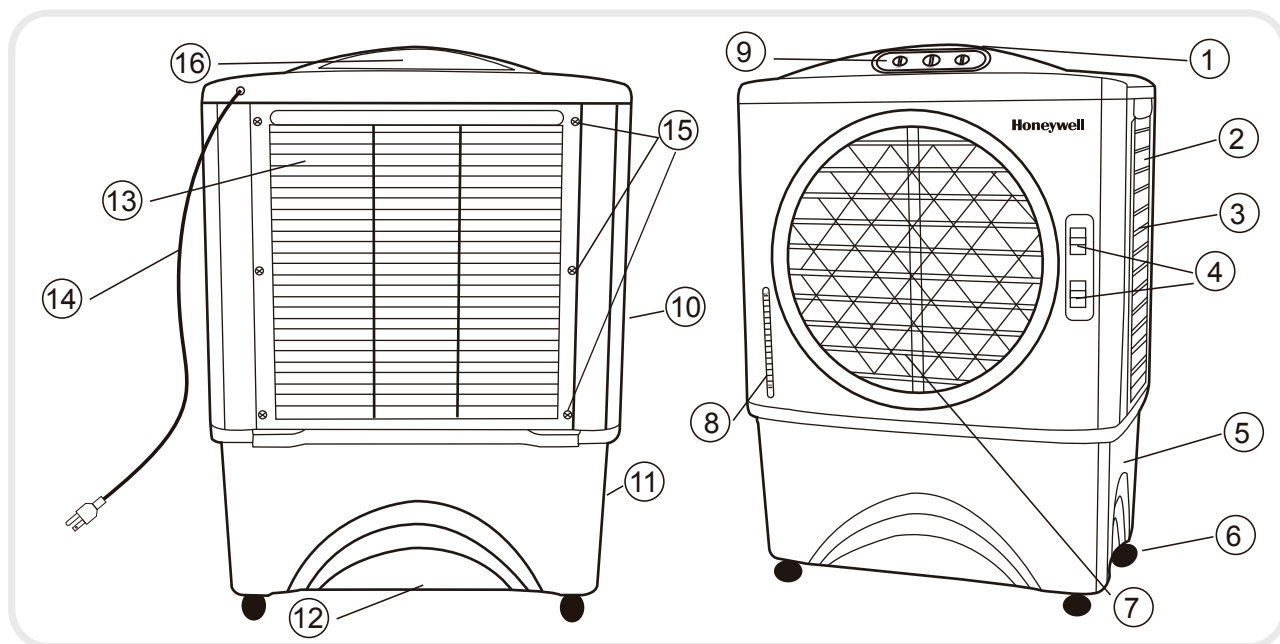
Bruk alltid sidehåndtakene når du skal flytte luftkjøleren.

•



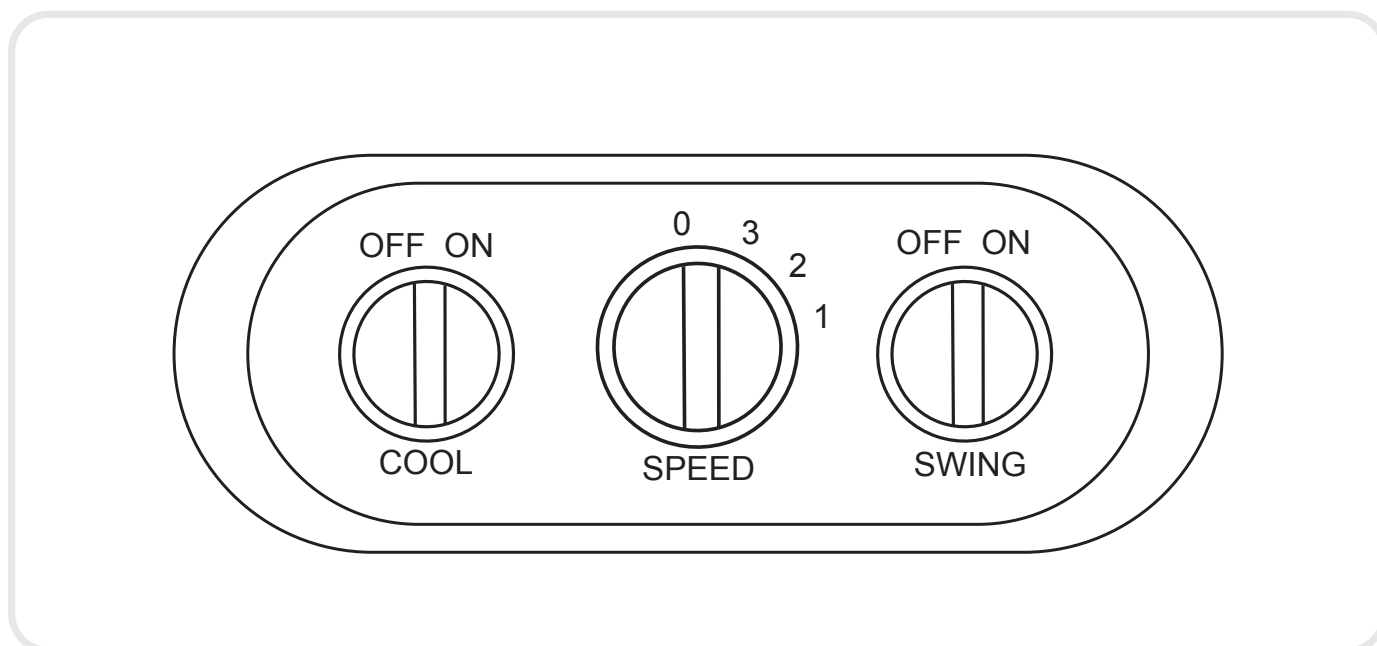
- Ikke bruk innendørs skjøteledninger utenfor. Se etter skjøteledninger som er spesielt merket for utendørs bruk. Se etter skjøteledninger som har en GFCI (Jordfeilbryter) bygget i.
- Kontroller at strømstyrkens rangering for skjøteledningen er høyere enn strømstyrkens rating for apparatet. Sjekk etiketter og eiers manualer på apparatet og skjøteledningen for strømstyrke karakterer.
- Strømledningene må være inneholdt. Hvis de må kjøre langs bakken, sørg at hver tomme av dem er sikret slik at de ikke vil bli utløst over.
- Alle ledninger og koblinger må være vanntett. Pass på at tilkoblingene (til luft kjøler) aldri bli våt. Enheten er vanntett, men alt knyttet til det må være vanntett, også.
Sett opp enheten slik at den ikke kan snuble eller slingre løs. Det må ligge på et solid støtte.

BESKRIVELSE AV DELER



- | | | | |
|---|-----------------------------|----|--|
| 1 | Vanninntak og Isfack | 9 | Kontrollpanel |
| 2 | Håndtak | 10 | Høyre Honeycomb Panel |
| 3 | Venstre Honeycomb Panel | 11 | Vann påfyll (kontinuerlig vannforsynings kobling) |
| 4 | Spak for vannrette lameller | 12 | Sluk |
| 5 | Vanntank | 13 | Bakre Honeycomb Panel |
| 6 | Hjul | 14 | Strømkabel & Plugg |
| 7 | Vannrett lameller | 15 | Sruer for bak gitteret |
| 8 | Vannlevel indikator | 16 | Vanninntaks inngang |

Kontrollpanel

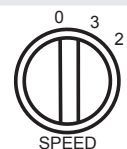


BRUK

FUNKSJONSKNAPPER

Hastighet/ På

Av Koble til strømforsyningen og vri hastighetsbryteren. Viften vil starte. Endre hastigheten fra 1 for Lav til 2 for Middels til 3 for Høy. For å slå av enheten slå hastighetsbryteren til " 0 ".



HASTIGHET

Trykk på 'SPEED' knappen for å justere hastighet , fra høy til lav.

COOL

For å begynne avkjølingen av det ønskede området, slå "COOL"-bryteren PÅ.

tVannpumpen vil fungere. Når Honeycomb mediet er gjennomvått vil du kjenne kaldere luft.



SWING

Slå "SWING"-bryteren PÅ og lamellene vil begynne å bevege seg fra høyre til venstre automatisk. Du kan manuelt justere den horisontale spjelden for å endre vertikal luftstrøm.



HORISONTELLA LAMELLER

Du kan manuelt justere den horisontale spjelden for å endre vertikal luftstrøm.

ADVARSEL

Konfirmer at tilkoblingene er sikret og skru på vannet.

Fylling av vann

Vann kan legges i luftkondisjonering maskinen gjennom:

Vanninntak (manuelt)

Vann / Is kan helles inn i tanken gjennom den øvre åpningen. Det er et hull for vannet, slik at den kan strømme inn i reservoaret.

Kontinuerlig vanntilførsel (Auto påfylling)

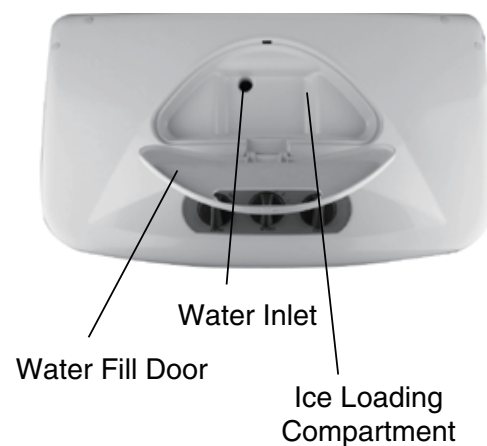
Koble en hageslange til den kontinuerlige vanntilførselen.

Vanninntak (manuelt)

For å fylle vanntanken, åpen vanninntak inngangen som er på toppen av enheten (# 16 på side 8) og fyll opp til max, som angitt på vann indikatoren (# 8 på side 8)

Ikke tilsett vann over MAX-merket.

For maksimal kjøling, sted isbiter i isfacket som er tilgjengelig på toppen av klimaanlegget (# 1 på side 8)



BRUK

Fylling av vann (kontinuerlig vannforsynings kobling)

ADVARSEL

Koble fra strømforsyningen før du fyller på

Denne prosessen forhindrer at du må fylle vanntanken manuelt.

Trygt koble den kontinuerlige vannforsyning kontakten (plassert på nedre venstre side panelen # 11 på side 8) til vannforsyningen.

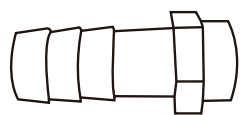
Skrú på vannet

Vanntanken fylles automatisk

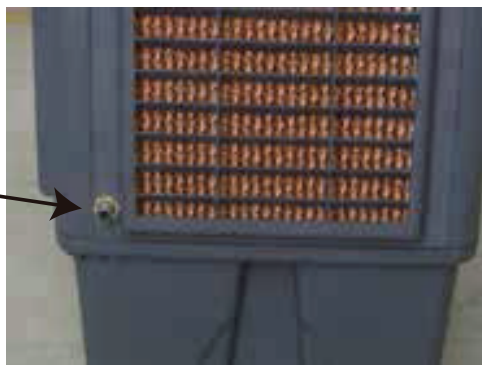
Vann flottørventilen registrerer vannnivået og starter eller stopper vannstrømmen automatisk.

Koble enheten til strømforsyningen og slå på enheten.

Installering av slangeadapteren og flottørventilen



Hose Connectora



Viktig - Les dette!



- Klimaanlegget leveres med en Honeycomb kuldemedium.
- Hvor ofte du bør rense Honeycombs kjølemedien avhenger av de lokale luft- og vann tilstander. I områder der mineralinnholdet i vannet er høyt, mineraler holder seg fast til honeycombs kjølevæsker og begrenser luftstrømmen. Tøm vanntanken og fyll den med friskt vann minst en gang i uken. Det hjelper med å reduserer mineralinnholdet. Hvis mineraler står fast i Honeycombs kjølevæsker likevel, bør du avmontere mediet og vaske den i ferskvann. Mediene bør rengjøres hver måned eller oftere, avhengig av dine behov.
- Ikke bruk enheten i kjølemodus når det er bedrevet vann i tanken. Drenere tanken og fyll den med ferskvann dersom vannet har vært i tanken for en lang periode.
For best mulig resultat, la honeycombs kjølemedier tørr etter hver bruk ved å slå kul
- funksjon 15 minutter før du slår av enheten.

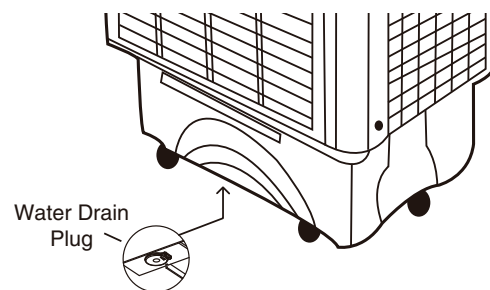
ADVARSEL

- BFør rengjøring må du slå av enheten og koble fra strømkilden.
- Bruk en fuktig klut for å fjerne eventuell skitt og støv på utsiden av enheten.
- Bruk aldri skuremidler.
- Når den ikke er i bruk, oppbevares tørt og ut av direkte sollys.

RENGJØRING OG VEDLIKEHOLD

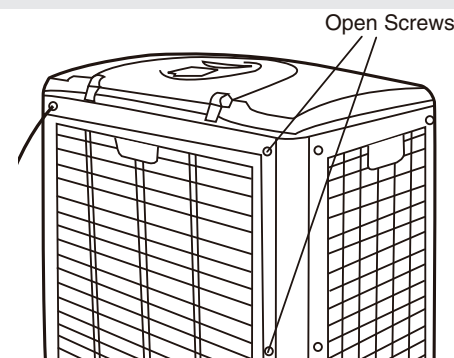
Tømming og rengjøring av vanntanken

- Skru strømmen "av" og koble fra luftkjøleren fra strømkilden.
- Flytt enheten en plass hvor den kan bli tømt.
- Fjern sluken og la tanken tømme seg (se side 8, del 12).
- Fyll på vanntanken på nytt til den når maks nivå med rent vann og tøm den helt.
- Fyll vanntanken og vask 2-3 ganger før bruk.
- Etter rengjøring så må du være sikker på at sluken er satt tilbake.
- Sett i ledningen og skru på enheten.



Rengjøring av Honeycomb Cooling Media

- Skru av enheten og ta ledningen ut.
- Roter enheten slik at den er vendt mot baksidepanelet og finn sruerne til bakgitteret (se side 8, #15). Fjern alle skruene med et skrujern.
- Dra bakgitteret til den er helt fjernet.
- "Du kan nå se Honeycomb Cooling Media. Rengjør karbonfilteret og honeycomb med en ren vaskeklut og fjern alle støvpartikler og andre urenheter."
- Sett sammen enheten igjen, slik som det står i beskrivelsen over, når rengjøringen er ferdig.
- Sett ledningen i og skru på enheten.
- Luftkjøleren er nå klar til bruk. Denne rengjøringsprosessen bør bli gjentatt hver måned for å opprettholde standarden på enheten og for å fjerne partikler som er blitt filtrert fra luften.



PROBLEMLØSNING

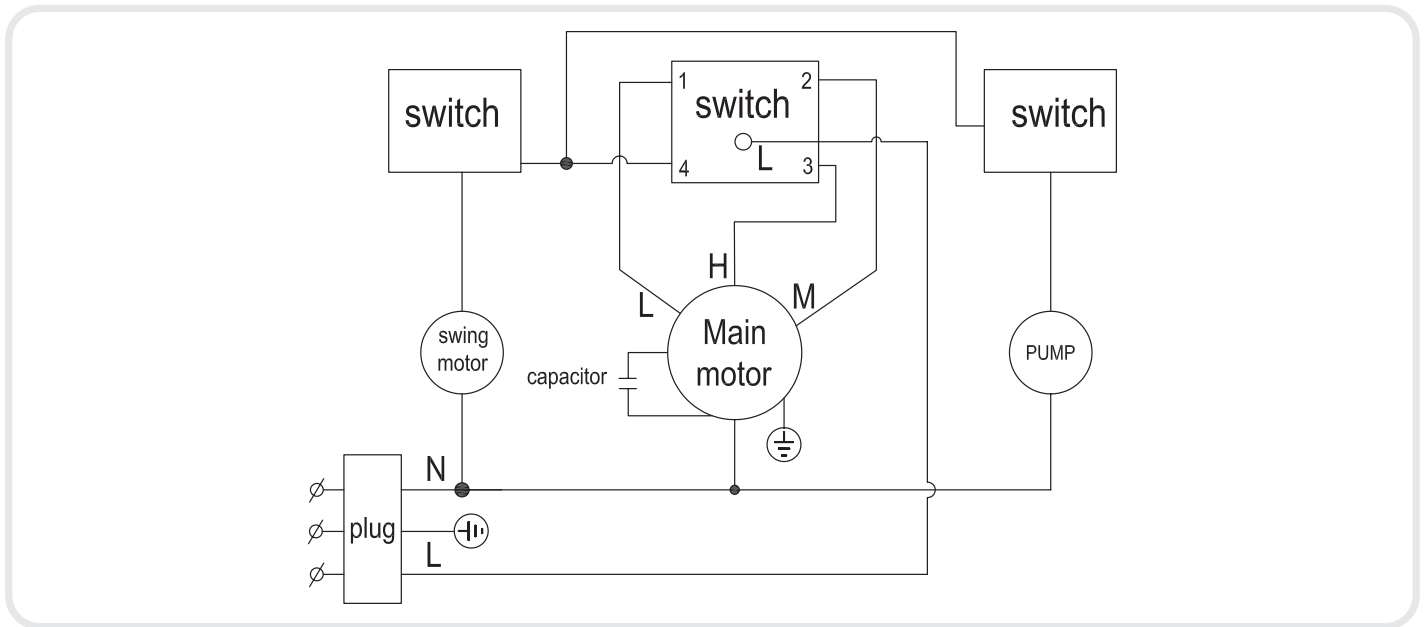
| Problem | Mulige årsaker | Løsning |
|--|---|---|
| Ingen luft | Ledning er ikke i. | Vær sikker på at strømledningen står i og forskyningsknappen er på. |
| | Strøm er ikke på. | Skru enheten PÅ ved å trykke på knappen på kontrollpanelet. |
| Ingen avkjøling/ Enheter lager lyd. | Pumpe er ikke skrudd PÅ. | På kontrollpanel vri COOL funksjonen til "PÅ". |
| | Lite eller ingen vann i tanken når COOL er valgt. | Fyll på vanntanken. |
| | Ødelagt Pumpe eller kalsiumforekomst på blåser. | Kontakt kundeservice. |
| Lukter | Når luftkjøleren er ny. | Når enheten blir brukt for første gang så vil Honeycomb Cooling Media ha en lukt som forsvinner |
| | Om luftkjøleren har blitt brukt. | i løpet av et par timer etter førstegangsbruk. |

TEKNISKE SPESIFIKASJONER

MODELLNR. **CL48PM**

| | |
|--------------------|-----------------------------|
| Volt | 220V |
| Frekvens | 50Hz |
| Watt | 140 Watts |
| Vanntank kapasitet | 48 Litre |
| Cooling Media | Honeycomb |
| Produktdimensjon | 620 (L) x 375 (D) x 868 (H) |
| Nettovekt | 13.3 Kg |

TEKNISKE SPESIFIKASJONER



SERVICE OG GARANTI

1 ÅR BEGRENSET GARANTI

Les alle instruksjonene før du bruker dette produktet.

Denne begrensede 1 års garantien gjelder reparasjon eller erstatning av produktet om materialet er defekt eller har en produksjonsfeil.

Denne garantien gjelder ikke på noen skade som kommer fra kommersiell, uforsiktighet, urimelig bruk eller selvforskyldt skade. Skader som er et resultat av normal bruk vil ikke bli sett på som produksjonsfeil i denne garantien.

Miljøengros AS ER IKKE ANSVARLIG FOR UHELDIGE OG TILFELDIGE SKADER I NOEN FORM. ALL GARANTI PÅ DETTE PRODUKTET ER BEGRENSET TIL EN VIS PERIODE.

Noen jurisdiksjoner tillater ikke utelukkning eller begrensning over skader eller hvor lenge garantien varer så begrensningene over gjelder kanskje deg og ditt produkt. Denne garantien gir deg spesifikke rettigheter og du har derfor også kanskje andre rettigheter, dette varierer fra jurisdiksjon til jurisdiksjon. Denne garantien gjelder bare for den som kjøpte produktet.

Med dette valget så vil Miljøengros AS reparere eller erstatte dette produktet om det er defekt eller har produksjonsfeil.

Denne garantien dekker ikke skader som kommer av forsøk på å reparere eller gjøre noe som ikke står i bruksanvisningen av uautoriserte personer.

Vennligst les bruksanvisningen nøye før du monterer eller bruker dette produktet. Om du tror produktet har en produksjonsfeil eller om du har spørsmål om dette produktet vennligst kontakt kundeservice.

KUNDESERVICE: +46 (0)31 761 36 10

Når du kontakter kundeservice så må du ha informasjonen som står under lett tilgjengelig og kjøpsbevis. Hos alle garantiforespørsler må det følge med kjøpsbevis, kjøpsbevis er en kopi av den originale kvitteringen.

Modell:

Kjøpsdato:

Kjøpt fra:

Distributor in Scandinavia:
TES SCANDINAVIA AB
Göteborgsvägen 97
Krokslättsfabriker 30/3
431 43 MÖLNDAL
SWEDEN
+46 (0)31 761 36 10
www.tesscandinavia.se

January 2013, IM02 - CL48PM - 2013 - 01
© 2013 AirTek International Corporation Limited
The Honeywell Trademark is used under license from
Honeywell International Inc.
Honeywell International Inc. makes no representation or
warranties with respect to this product.
Manufactured by AirTek International Corporation Limited.

Honeywell