

# Smart Monoblock Wall Air Conditioner 3-in-1 Air Conditioner with Smartphone Operation without Outdoor Unit



# Various option

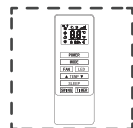
## Power, Control, and Panel

### POWER

Model	8000 BTU	10000 BTU	12000 BTU
Cooling capacity	2350W	2930W	3500W
Heating capacity	/	2630W	2930W
EER Class for cooling	A	A	A
COP Class for heating	/	A+	A+
Frequency	Non-Inverter	Inverter	Inverter

### CONTROL

Remote



Touch Screen

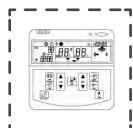


### OPTIONAL

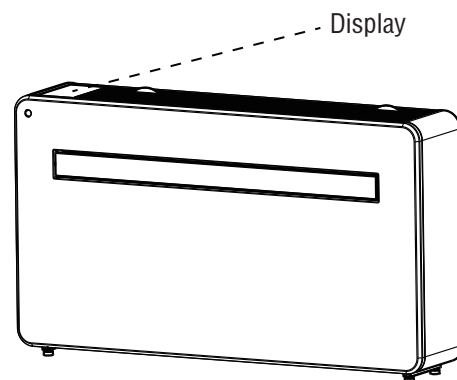
WIFI APP



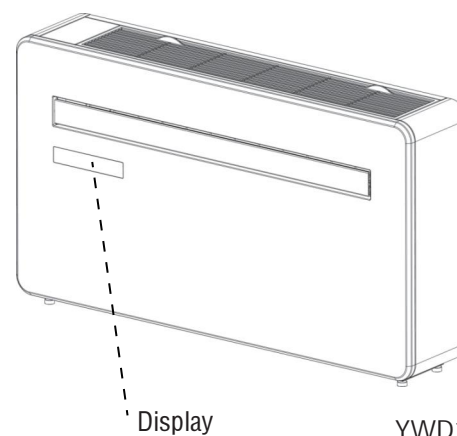
Wired Control



### PANEL



YWD

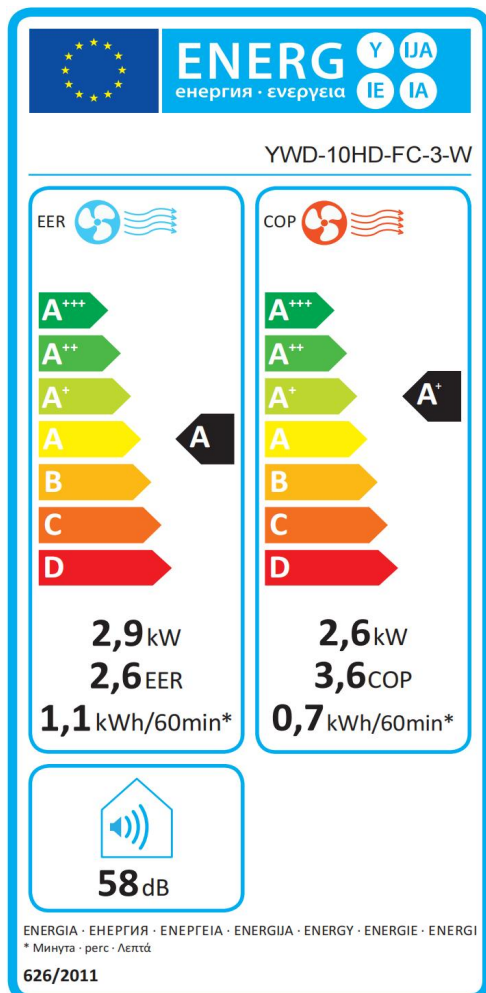


YWD1

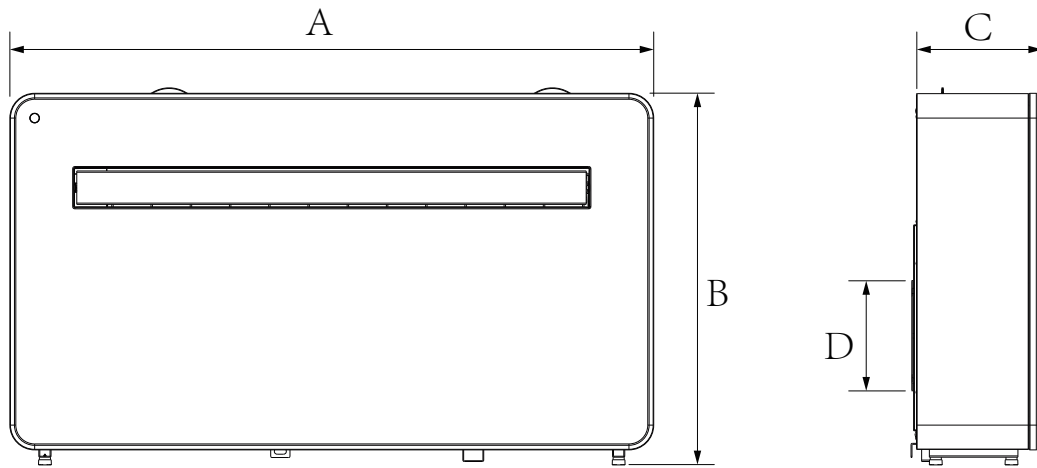
# R290 Gas..

Since low GWP matter rise up in the market,  
All Monoblock heat pump are searching for the refrigerants  
which are attractive for environment reasons.  
R290 is one of the player.

Low global warming potential (GWP)  
Excellent energy efficiency  
Contains no chlorine or fluorine  
Compatibility with existing equipment.

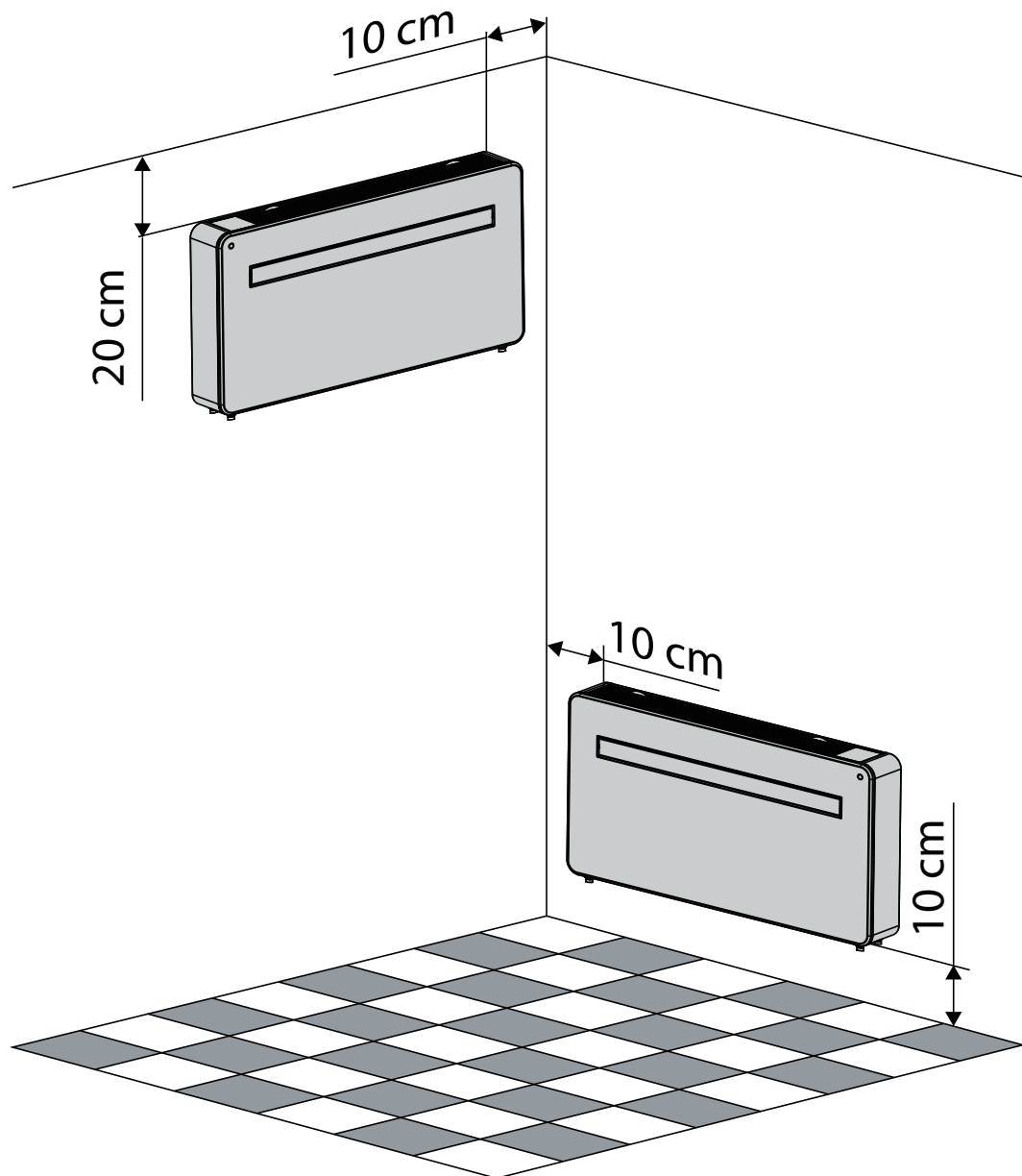


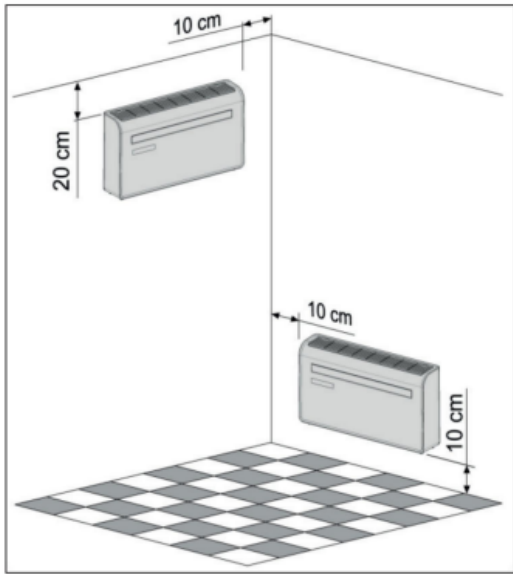
# Dimension



Model	R290 Gas Charge		A	B	C	D
10000 BTU	290 g	mm	1000	585	205	Ø180

HIGH or LOW?  
Both!

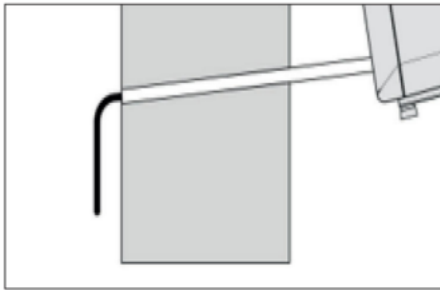




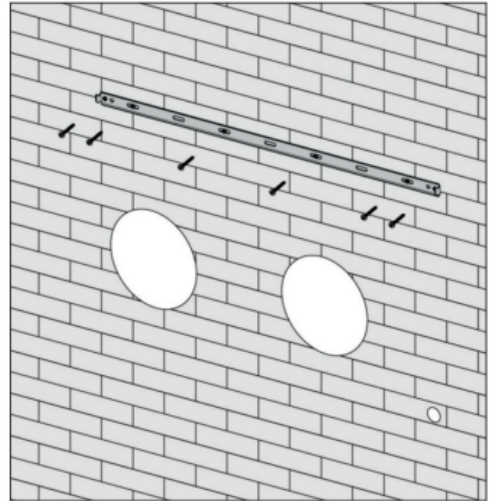
1



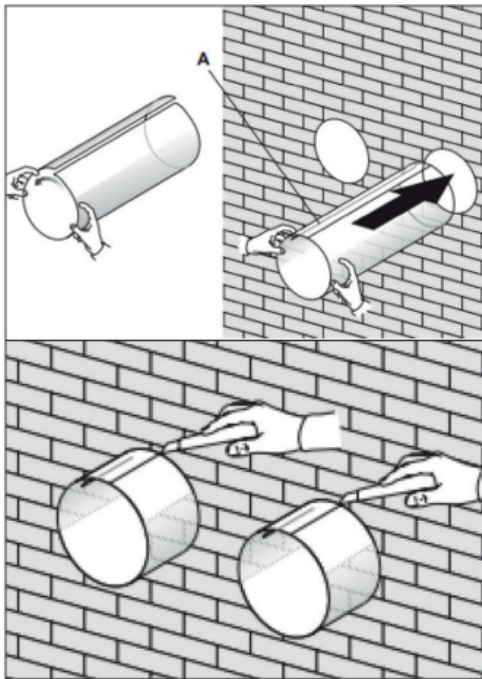
2



3

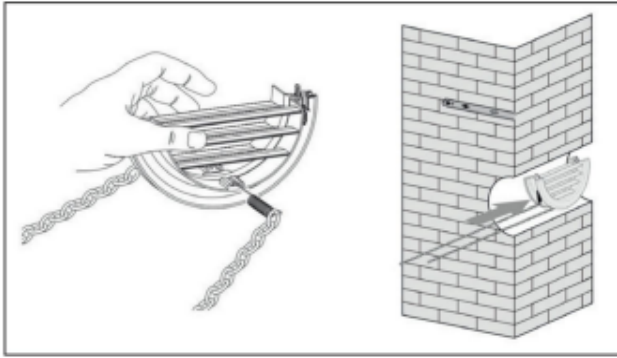


4

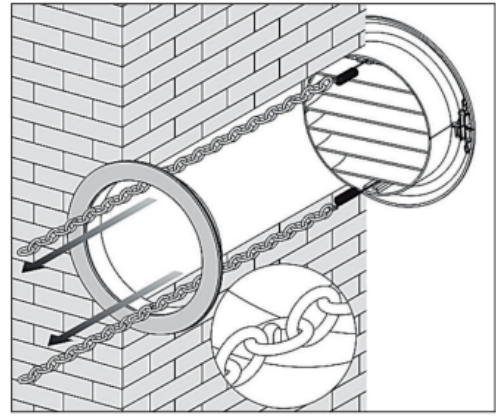


5

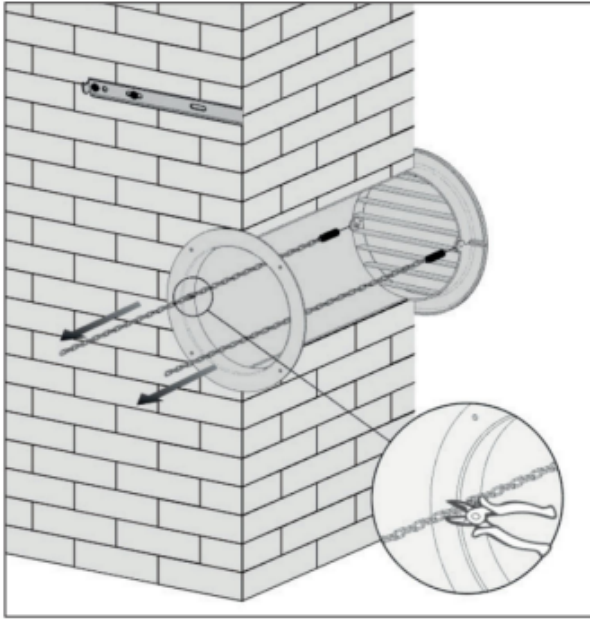




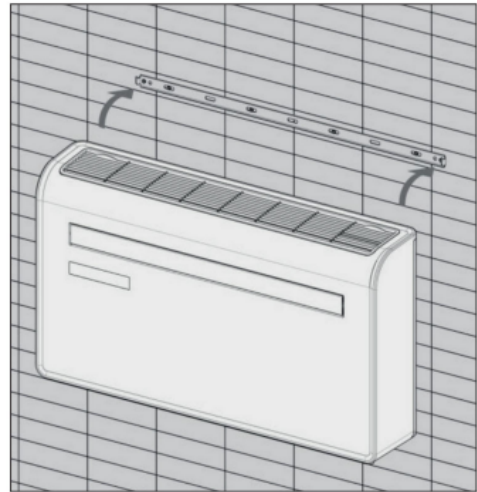
6



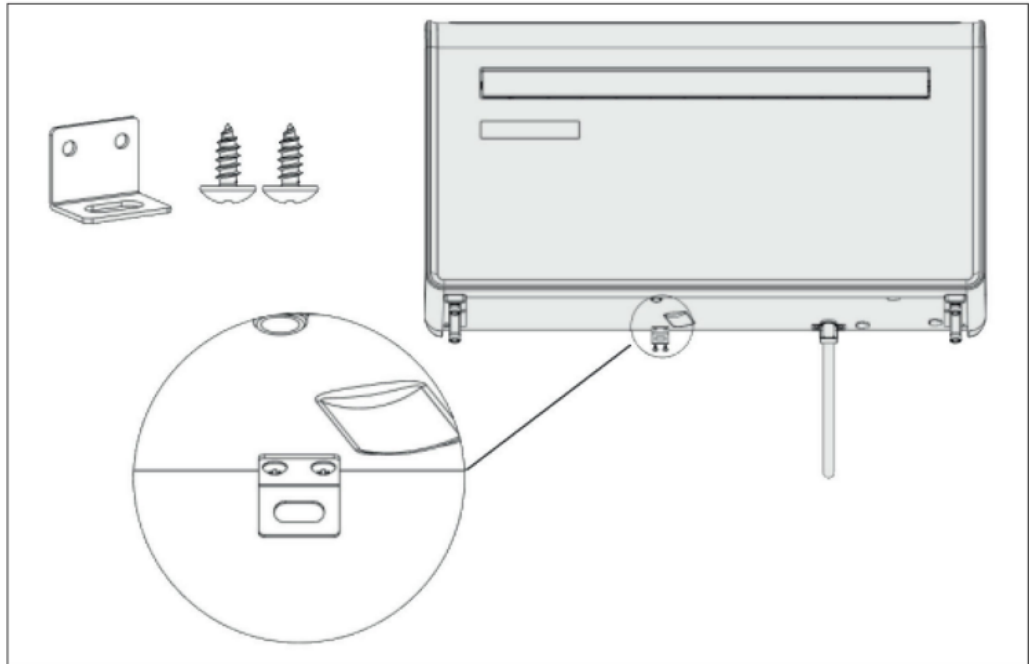
7





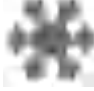



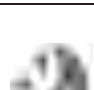




8



9



## FUNCTIONS

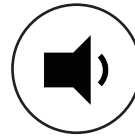
 <b>POWER</b>	Press "POWER" to turn the unit On or Off	
 <b>MODE</b>	Press to change between the 4 different modes. The display will show the symbol for the mode currently selected.	
	 <b>COOLING</b>	Cooling mode defaults to 22°C and will cool the air while sending warm air outside. The desired temperature can be adjusted using the increase and decrease button between 16°C and 30°C. The fan speed can also be adjusted using the speed button.
	 <b>DRY</b>	Dry mode will extract moisture from the air, which will be drained outside using the installed drain pipe. The fan speed cannot be adjusted in dry mode.
	 <b>FAN</b>	In fan mode the appliance will recirculate the air within the room, and will not cool, heat or dehumidify. The fan speed can be adjusted using the Speed button.
	 <b>HEATING</b>	Heating mode defaults to 24°C and will heat the air while sending cool air outside. The desired temperature can be adjusted using the increase and decrease button between 16°C and 30°C. The fan speed can also be adjusted using the speed button.
	 <b>SILENT</b>	Silent mode can be activated from APP or the remote control. It will only operate in cooling or heating modes. the fan speed will change to low and noise will be lower.
 <b>FAN SPEED</b>		Press to change the fan speed between Low, Medium and High. The fan speed cannot be adjusted in Dry or Silent modes.
 <b>TIMER</b>	The air conditioner contains a 24 hour timer, which can be used to either set a delayed start, or a set period of operation. The timers cannot be combined, although the app can be used to program periods of operation.	
	<b>SHUTDOWN TIMER:</b> While the unit is running press the timer button, the display will flash "0" 5 times. After the 5 <sup>th</sup> flash, use the up and down buttons to adjust the duration in 1 hour increments between 1 to 24 hours. When the timer has elapsed, the unit will shutdown automatically.	
<b>DELAYED START TIMER:</b> With the unit in standby, press the timer button, the display will flash "0" 5 times. After the 5 <sup>th</sup> flash, use the up and down buttons to adjust the duration in 1 hour increments between 1 and 24 hours. After the timer has elapsed, the unit will start up in the same mode with the same settings as when it was turned off.		
 <b>INCREASE AND DECREASE</b>	Used within cooling and heating modes to adjust the desired room temperature. Also used while setting the timer to adjust the duration.	
<b>SWING MODE</b>	After machine turns on, press the "SWING" button, louver will swing continuously up and down; by pressing the button again the movement will stop and the louver remain in that position. Swing mode can only be adjusted from the remote, and will initially be turned on by default.	
<b>COMPRESSOR PROTECTION</b>	There is a 3 minutes delay on power on. In order to protect the life of the compressor and electronic components please do not switch on the unit for at least 5 minutes after you turned the unit off.	



# FEATURE



Environmental friendly R290 Gas



Silent/ Sleep Mode,  
Low down to 39dB



Inverter Technology,  
Energy saving, saves up to 30%  
over non-inverter units



Invisible Design



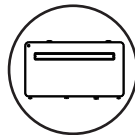
High cooling capacity,  
Adjust your environment  
for maximum comfort



High EER/COP Class



Water full alarm and auto-stop function



Full Metal housing



LCD Display ON/OFF



Foldable Outdoor cover



Sealing strip  
Low down the noise of whole unit



PTC Electric heater



Self-evaporated system,  
not much drainage water in cooling mode



Easy DIY installation,  
Full installation indoor

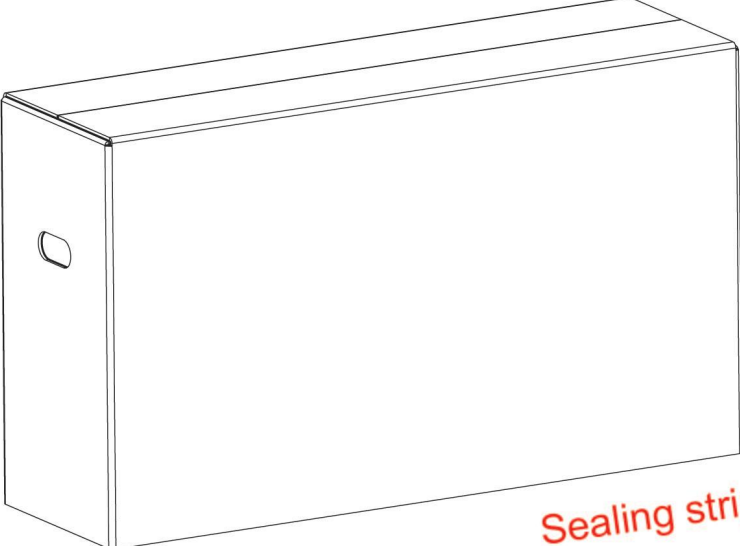


Two air ducts  
More efficiency when the outside air is  
below the room temperature.



Air filter  
Anti-dust, washable filter for air  
quality improvement.

# Packing

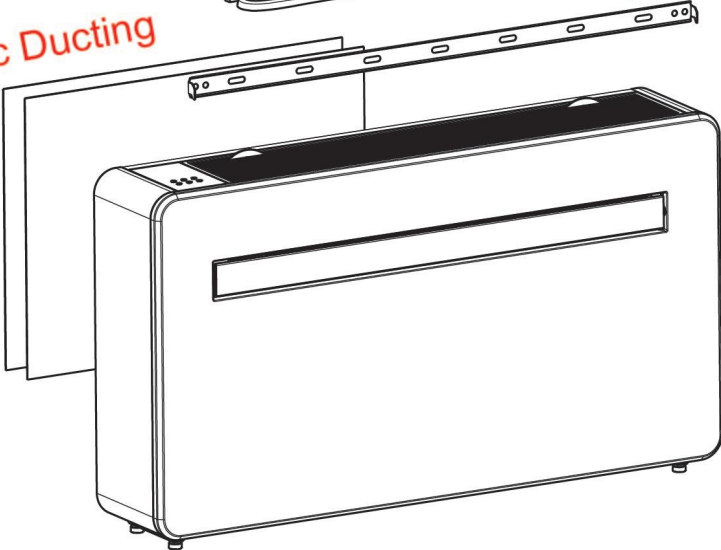


Carton Box

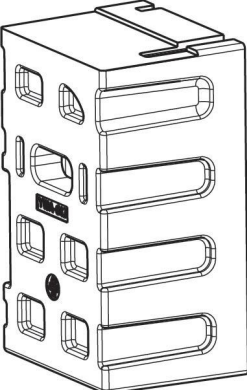
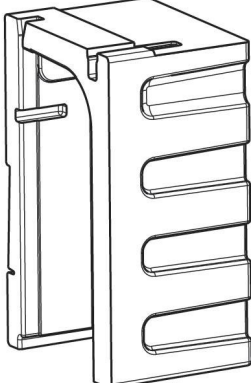


Sealing strip

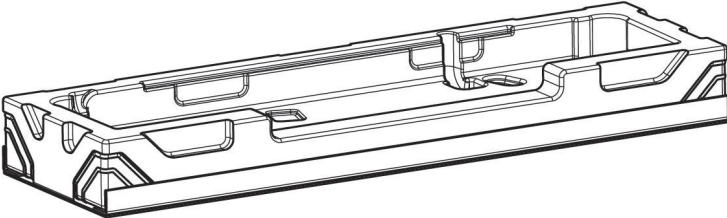
Plastic Ducting



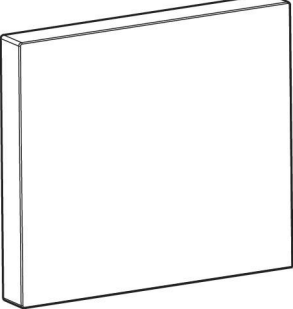
Wall Bracket



Left Foam

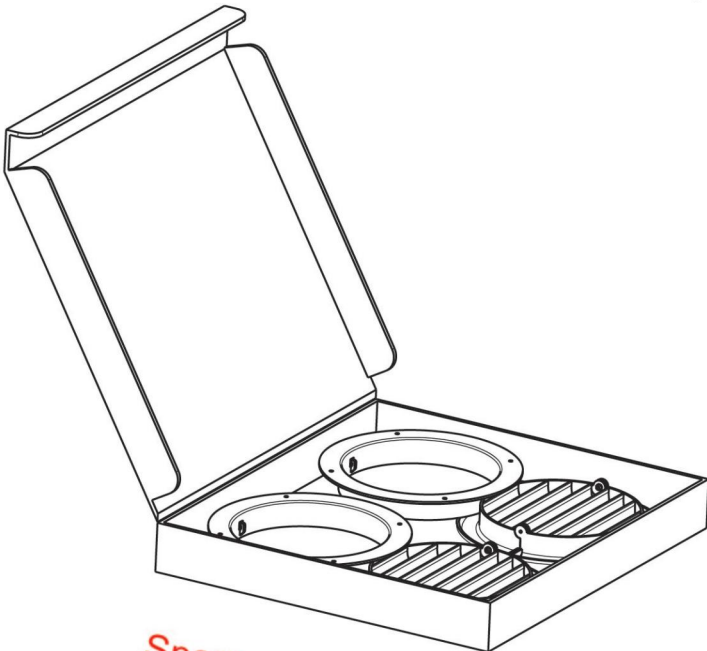


Bottom Foam

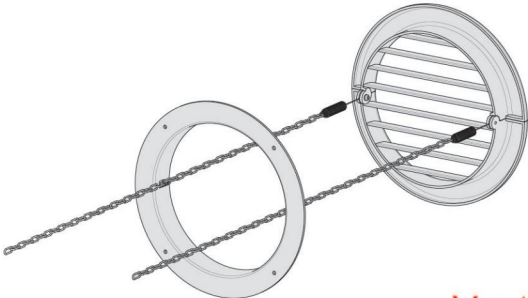


Spare part box

# Spare part



Spare part box



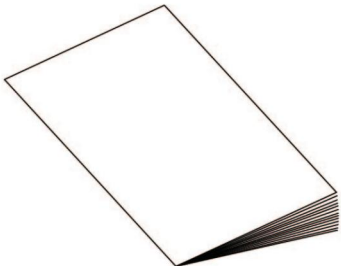
Vent cover



Screw



Remote



Manual

