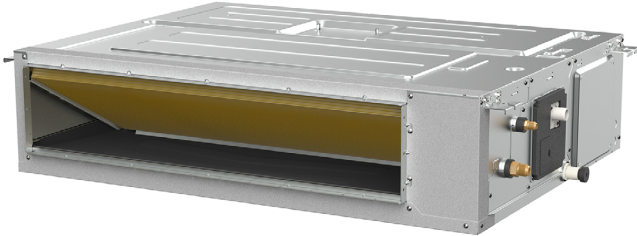
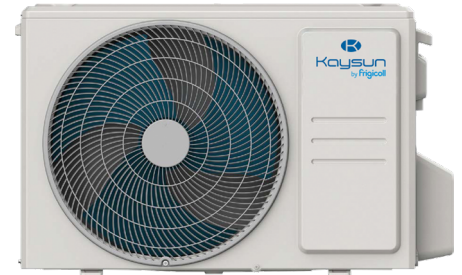


Ducts

PRODUCT SHEET



KCT-04.1 SPSWF
Recommended controller



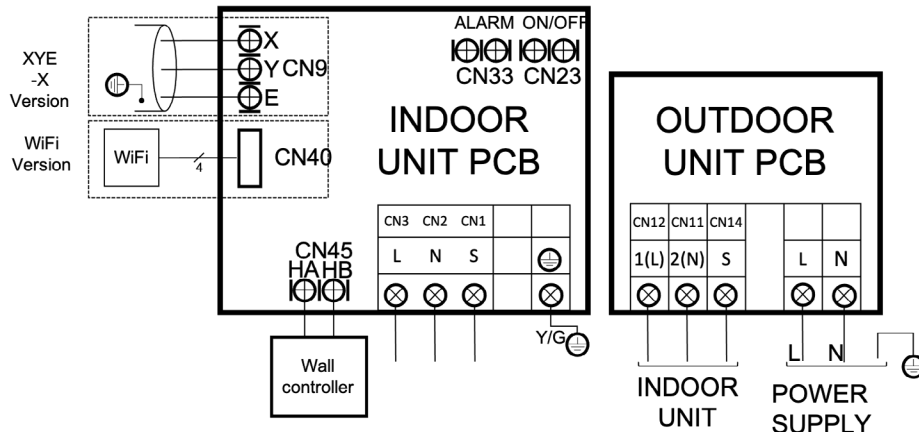
Product certified by:



FEATURES

Model	KPDA-26 DVR15	KPDA-35 DVR15
Cooling capacity	2,63 kW	3,52 kW
Cooling power input	800 W	1080 W
Heating capacity	3,07 kW	3,81 kW
Heating power input	1000 W	1038 W
ErP Classification cold/heat	A++ / A+	A++ / A+
Airflow (indoor)	300 m ³ /h / 480 m ³ /h / 600 m ³ /h	300 m ³ /h / 480 m ³ /h / 600 m ³ /h
Max. static pressure	80 Pa	100 Pa
Sound pressure (indoor)	31 dB(A) / 33 dB(A) / 35 dB(A)	31 dB(A) / 33 dB(A) / 35 dB(A)
Airflow (outdoor)	2000 m ³ /h	2000 m ³ /h
Sound pressure (outdoor)	54 dB(A)	54 dB(A)
Power supply	220-240 V / 1 f / 50 Hz	220-240 V / 1 f / 50 Hz
Power wiring (indoor)	With communication	
Power wiring (outdoor)	3x1,5 mm ²	3x1,5 mm ²
Communication wiring	4x1 mm ²	4x1 mm ²
Possibility of vertical installation	No	No

WIRING DIAGRAM

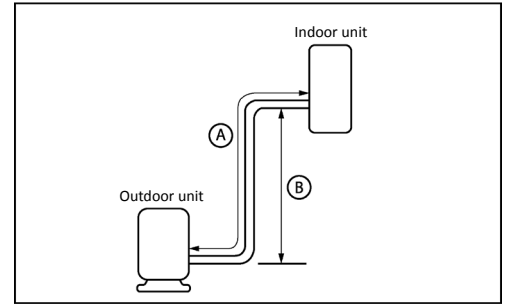


NOTES:

- (1) The data and specifications present in this sheet may vary without notice.
- (2) The images on this sheet are indicative and may be different from the final machine.

COOLING CONNECTION

Model	KPDA-26 DVR15	KPDA-35 DVR15
Refrigerating pipes	Ø1/4" / Ø3/8"	Ø1/4" / Ø3/8"
Gas	R-32	R-32
Refrigerant charge / Additional charge	0,65 kg / 0,012 kg	0,71 kg / 0,012 kg
Indoor drain pipe	Ø25 mm	Ø25 mm
Max. pipe length (A)	25 m	25 m
Max. level difference (B)	10 m	10 m



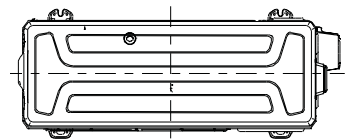
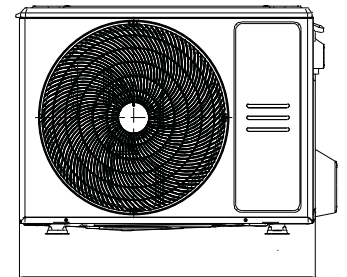
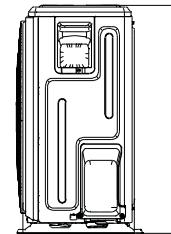
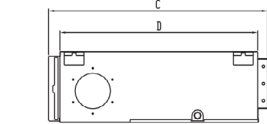
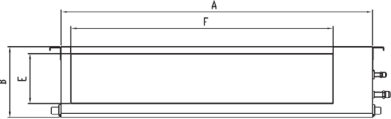
DIMENSIONS & WEIGHT INDOOR

Model	KPD-26 DR15	KPD-35 DR15
Width	700 mm	700 mm
Height	200 mm	200 mm
Depth	506 mm	506 mm
Weight	18 kg	18 kg

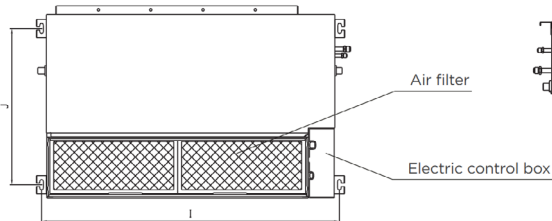
DIMENSIONS & WEIGHT OUTDOOR

Model	KUE-26 DVR14	KUE-35 DVR13
Width	765 mm	765 mm
Height	555 mm	555 mm
Depth	303 mm	303 mm
Weight	24,60 kg	26,60 kg

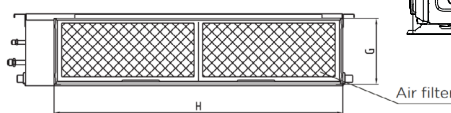
Air outlet dimensions



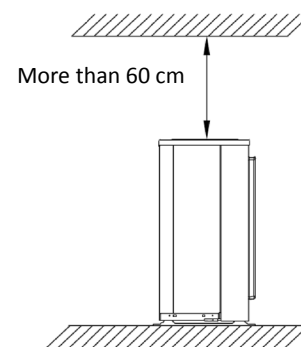
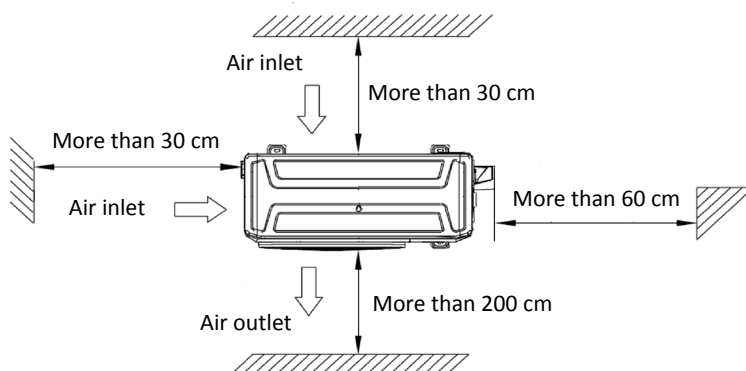
Descending ventilation opening and mounted hook



Air inlet dimensions

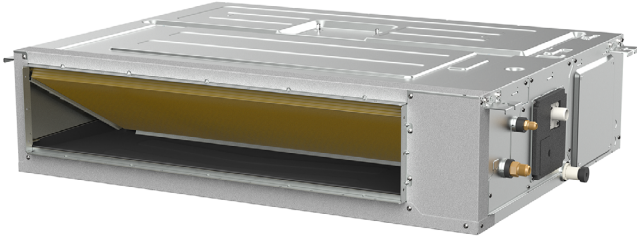


INSTALLATION

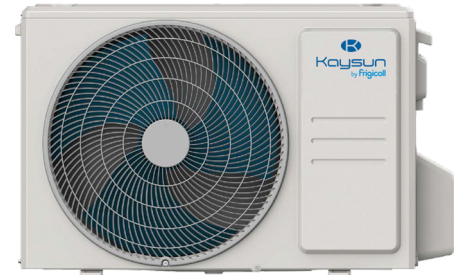


Ducts

PRODUCT SHEET



KCT-04.1 SPSWF
Recommended controller



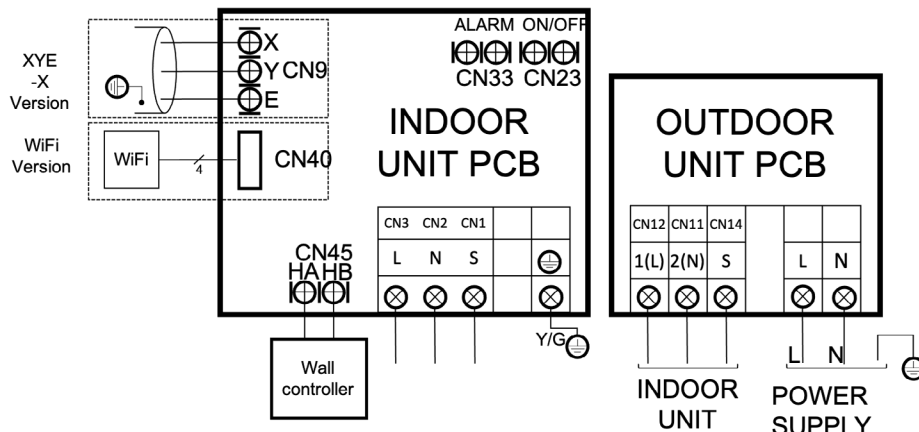
Product certified by:



FEATURES

Model	KPDA-52 DVR15	KPDA-71 DVR15
Cooling capacity	5,28 kW	7,03 kW
Cooling power input	1590 W	2280 W
Heating capacity	6,01 kW	7,62 kW
Heating power input	1615 W	2000 W
ErP Classification cold/heat	A++ / A+	A++ / A+
Airflow (indoor)	600 m ³ /h / 780 m ³ /h / 900 m ³ /h	700 m ³ /h / 1000 m ³ /h / 1200 m ³ /h
Max. static pressure	160 Pa	160 Pa
Sound pressure (indoor)	31 dB(A) / 34 dB(A) / 36,5 dB(A)	31 dB(A) / 32,5 dB(A) / 33,5 dB(A)
Airflow (outdoor)	2100 m ³ /h	3500 m ³ /h
Sound pressure (outdoor)	59 dB(A)	60 dB(A)
Power supply	220-240 V / 1 f / 50 Hz	220-240 V / 1 f / 50 Hz
Power wiring (indoor)	With communication	
Power wiring (outdoor)	3x1,5 mm ²	3x2,5 mm ²
Communication wiring	4x1 mm ²	4x1 mm ²
Possibility of vertical installation	Yes	Yes

WIRING DIAGRAM

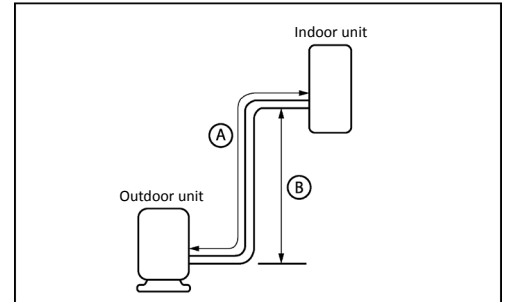


NOTES:

- (1) The data and specifications present in this sheet may vary without notice.
- (2) The images on this sheet are indicative and may be different from the final machine.

COOLING CONNECTION

Model	KPDA-52 DVR15	KPDA-71 DVR15
Refrigerating pipes	Ø1/4" / Ø1/2"	Ø3/8" / Ø5/8"
Gas	R-32	R-32
Refrigerant charge / Additional charge	1,15 kg / 0,012 kg	1,4 kg / 0,012 kg
Indoor drain pipe	Ø25 mm	Ø25 mm
Max. pipe length (A)	30 m	50 m
Max. level difference (B)	20 m	25 m



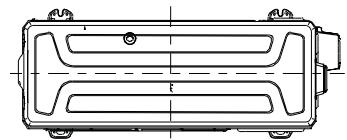
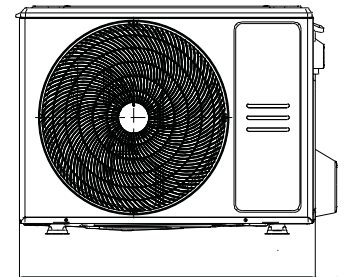
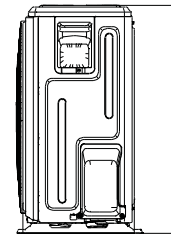
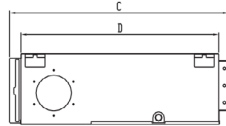
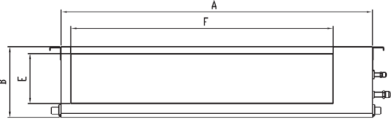
DIMENSIONS & WEIGHT INDOOR

Model	KPD-52 DR15	KPD-71 DR15
Width	700 mm	1000 mm
Height	245 mm	245 mm
Depth	750 mm	750 mm
Weight	24,40 kg	31,0 kg

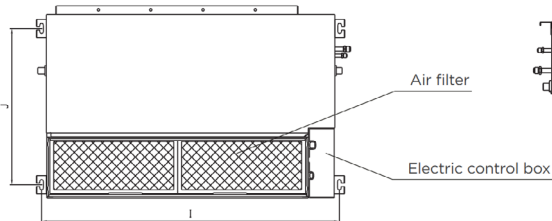
DIMENSIONS & WEIGHT OUTDOOR

Model	KUE-52 DVR13	KUE-71 DVR14
Width	805 mm	890 mm
Height	554 mm	673 mm
Depth	330 mm	342 mm
Weight	32,50 kg	41,90 kg

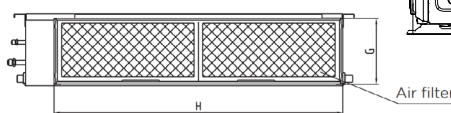
Air outlet dimensions



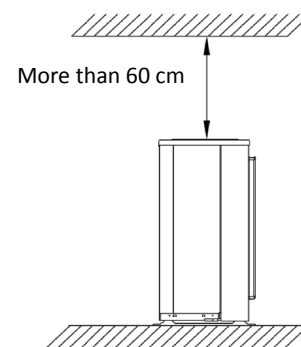
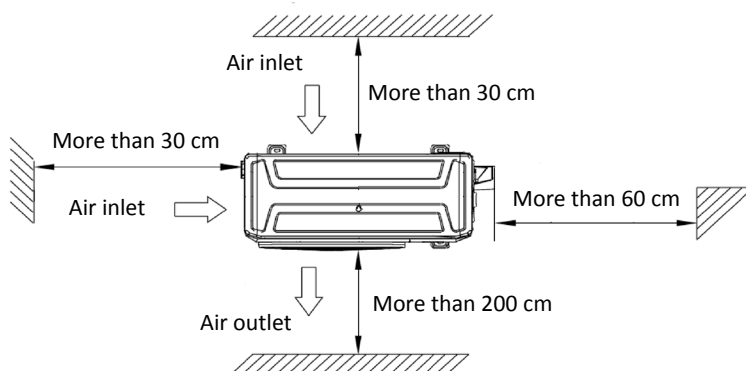
Descending ventilation opening and mounted hook



Air inlet dimensions

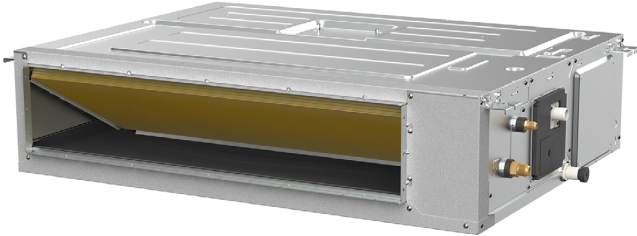


INSTALLATION

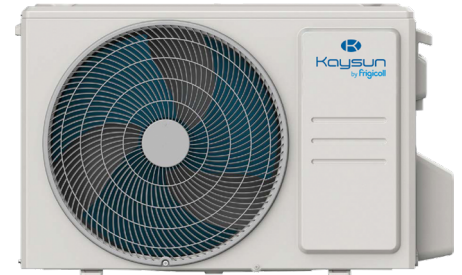


Ducts

PRODUCT SHEET



KCT-04.1 SPSWF
Recommended controller



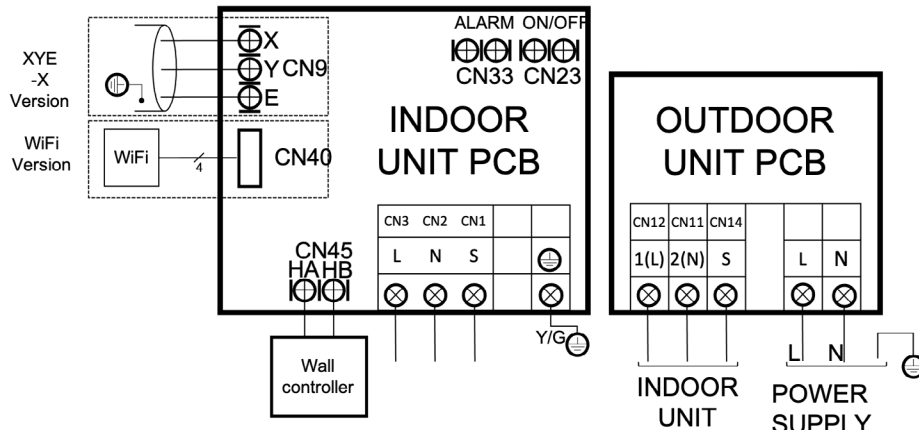
Product certified by:



FEATURES

Model	KPDA-90 DVR15	KPDA-105 DVR15
Cooling capacity	8,79 kW	10,55 kW
Cooling power input	2800 W	3950 W
Heating capacity	9,38 kW	11,73 kW
Heating power input	2400 W	3250 W
ErP Classification cold/heat	A++ / A+	A++ / A+
Airflow (indoor)	900 m ³ /h / 1200 m ³ /h / 1500 m ³ /h	1100 m ³ /h / 1300 m ³ /h / 1600 m ³ /h
Max. static pressure	160 Pa	160 Pa
Sound pressure (indoor)	35 dB(A) / 37 dB(A) / 39 dB(A)	33 dB(A) / 36 dB(A) / 38 dB(A)
Airflow (outdoor)	3800 m ³ /h	4000 m ³ /h
Sound pressure (outdoor)	63 dB(A)	63 dB(A)
Power supply	220-240 V / 1 f / 50 Hz	220-240 V / 1 f / 50 Hz
Power wiring (indoor)	With communication	
Power wiring (outdoor)	3x2,5 mm ²	3x4 mm ²
Communication wiring	4x1 mm ²	4x1 mm ²
Possibility of vertical installation	Yes	Yes

WIRING DIAGRAM



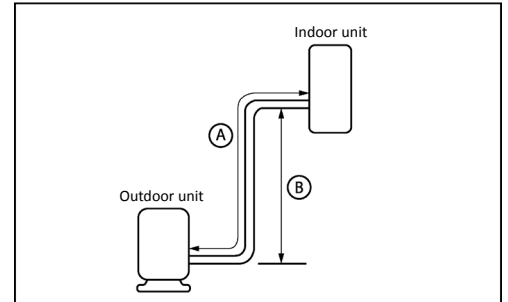
NOTES:

(1) The data and specifications present in this sheet may vary without notice.

(2) The images on this sheet are indicative and may be different from the final machine.

COOLING CONNECTION

Model	KPDA-90 DVR15	KPDA-105 DVR15
Refrigerating pipes	Ø3/8" / Ø5/8"	Ø3/8" / Ø5/8"
Gas	R-32	R-32
Refrigerant charge / Additional charge	1,80 kg / 0,024 kg	2,4 kg / 0,024 kg
Indoor drain pipe	Ø25 mm	Ø25 mm
Max. pipe length (A)	50 m	75 m
Max. level difference (B)	25 m	30 m



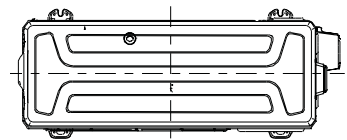
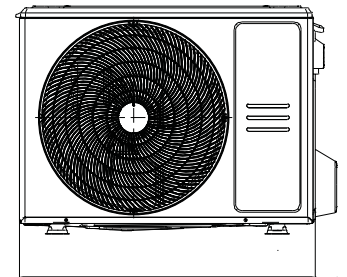
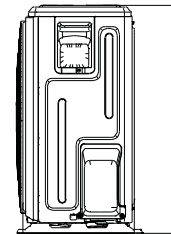
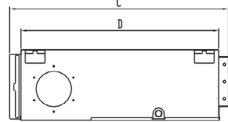
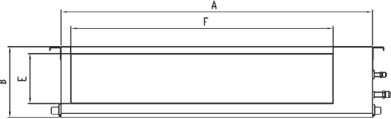
DIMENSIONS & WEIGHT INDOOR

Model	KPDA-90 DVR15	KPD-105 DR15
Width	1000 mm	1200 mm
Height	245 mm	245 mm
Depth	750 mm	750 mm
Weight	38,40 kg	38,40 kg

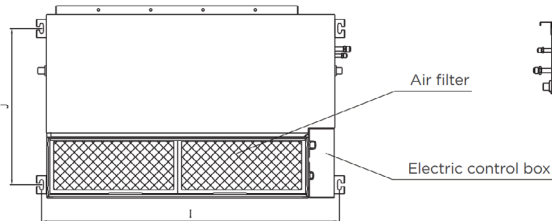
DIMENSIONS & WEIGHT OUTDOOR

Model	KUE-90 DVR14	KUE-105 DVR13
Width	946 mm	946 mm
Height	810 mm	810 mm
Depth	410 mm	410 mm
Weight	51 kg	66,90 kg

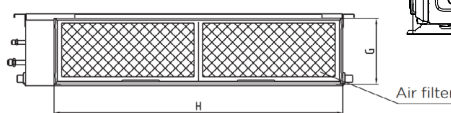
Air outlet dimensions



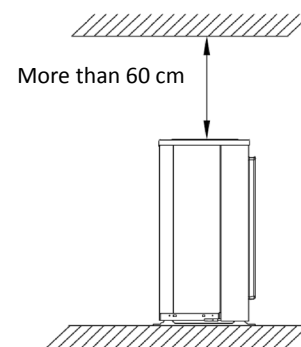
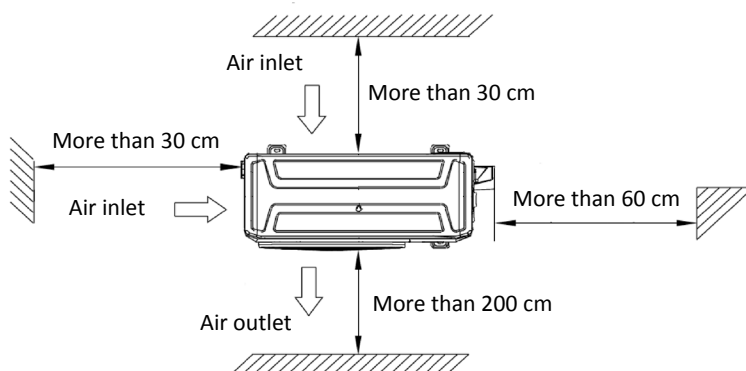
Descending ventilation opening and mounted hook



Air inlet dimensions

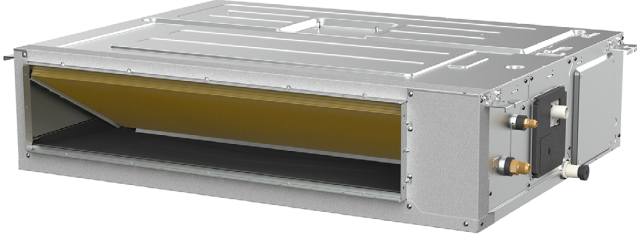


INSTALLATION

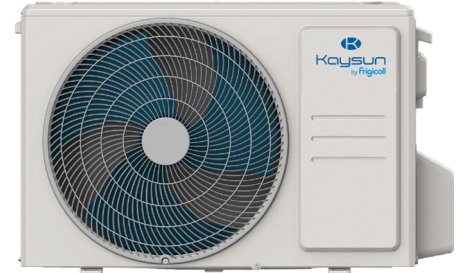


Ducts

PRODUCT SHEET



KCT-04.1 SPSWF
Recommended controller



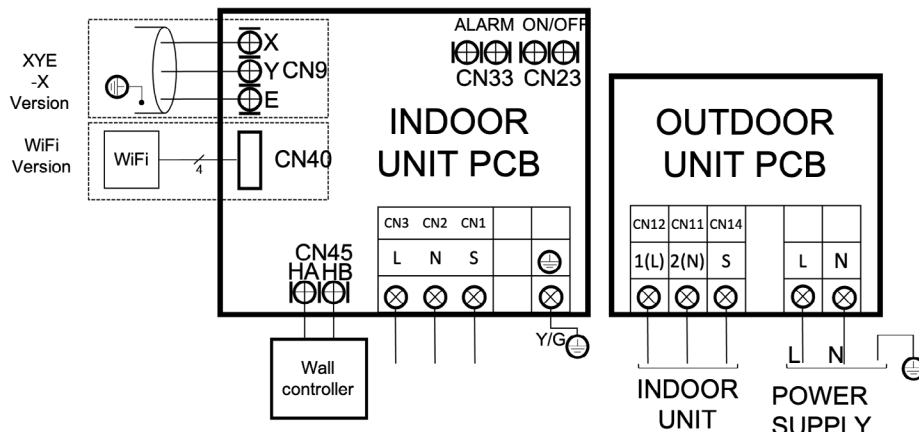
Product certified by:



FEATURES

Model	KPDA-105 DTR15	KPDA-125 DVR15
Cooling capacity	10,55 kW	12,02 kW
Cooling power input	4000 W	4200 W
Heating capacity	11,73 kW	13,48 kW
Heating power input	3250 W	3450 W
ErP Classification cold/heat	A++ / A+	A++ / A+
Airflow (indoor)	1100 m ³ /h / 1300 m ³ /h / 1600 m ³ /h	1300 m ³ /h / 1700 m ³ /h / 2000 m ³ /h
Max. static pressure	160 Pa	160 Pa
Sound pressure (indoor)	34 dB(A) / 37 dB(A) / 40 dB(A)	36 dB(A) / 37,5 dB(A) / 39 dB(A)
Airflow (outdoor)	4000 m ³ /h	4000 m ³ /h
Sound pressure (outdoor)	63 dB(A)	63 dB(A)
Power supply	380-415 V / 3 f / 50 Hz	220-240 V / 1 f / 50 Hz
Power wiring (indoor)	With communication	
Power wiring (outdoor)	5x2,5 mm ²	3x4 mm ²
Communication wiring	4x1 mm ²	4x1 mm ²
Possibility of vertical installation	Yes	Yes

WIRING DIAGRAM

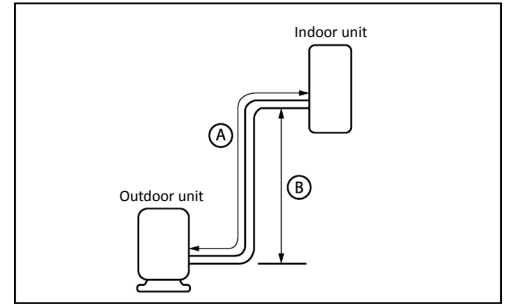


NOTES:

- (1) The data and specifications present in this sheet may vary without notice.
- (2) The images on this sheet are indicative and may be different from the final machine.

COOLING CONNECTION

Model	KPDA-105 DTR15	KPDA-125 DVR15
Refrigerating pipes	Ø3/8" / Ø5/8"	Ø3/8" / Ø5/8"
Gas	R-32	R-32
Refrigerant charge / Additional charge	2,40 kg / 0,024 kg	2,8 kg / 0,024 kg
Indoor drain pipe	Ø25 mm	Ø25 mm
Max. pipe length (A)	75 m	75 m
Max. level difference (B)	30 m	30 m



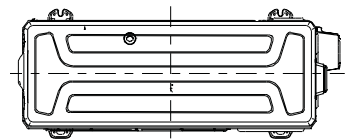
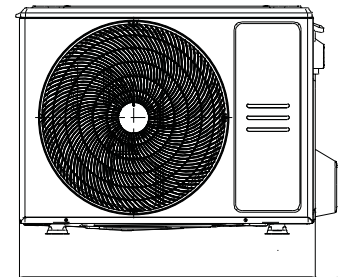
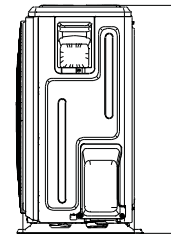
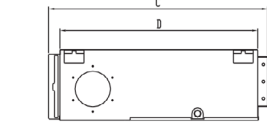
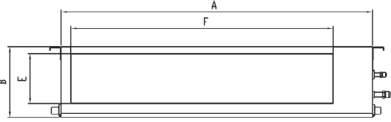
DIMENSIONS & WEIGHT INDOOR

Model	KPD-105 DR15	KPD-125 DR15
Width	1200 mm	1200 mm
Height	245 mm	245 mm
Depth	750 mm	750 mm
Weight	38,40 kg	40,40 kg

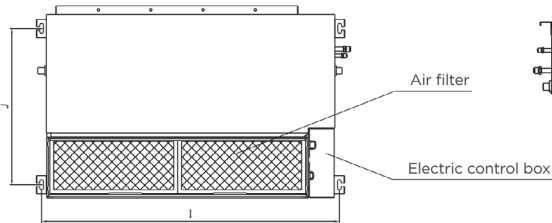
DIMENSIONS & WEIGHT OUTDOOR

Model	KUE-105 DTR13	KUE-125 DVR13
Width	946 mm	946 mm
Height	810 mm	810 mm
Depth	410 mm	410 mm
Weight	80,5 kg	71 kg

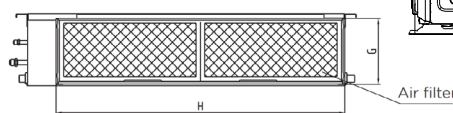
Air outlet dimensions



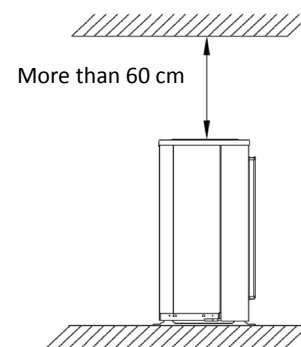
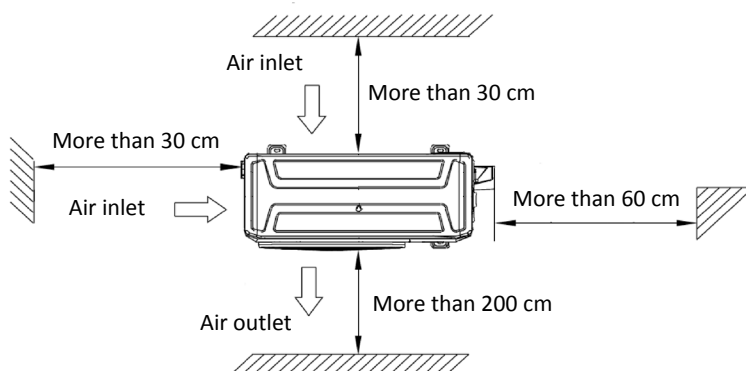
Descending ventilation opening and mounted hook



Air inlet dimensions

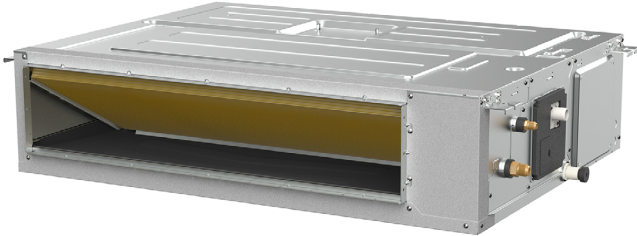


INSTALLATION

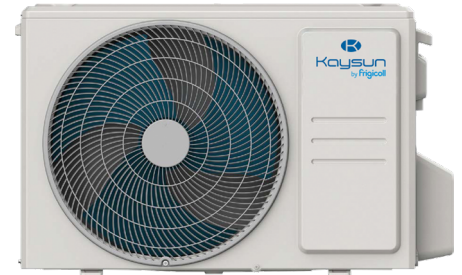


Ducts

PRODUCT SHEET



KCT-04.1 SPSWF
Recommended controller



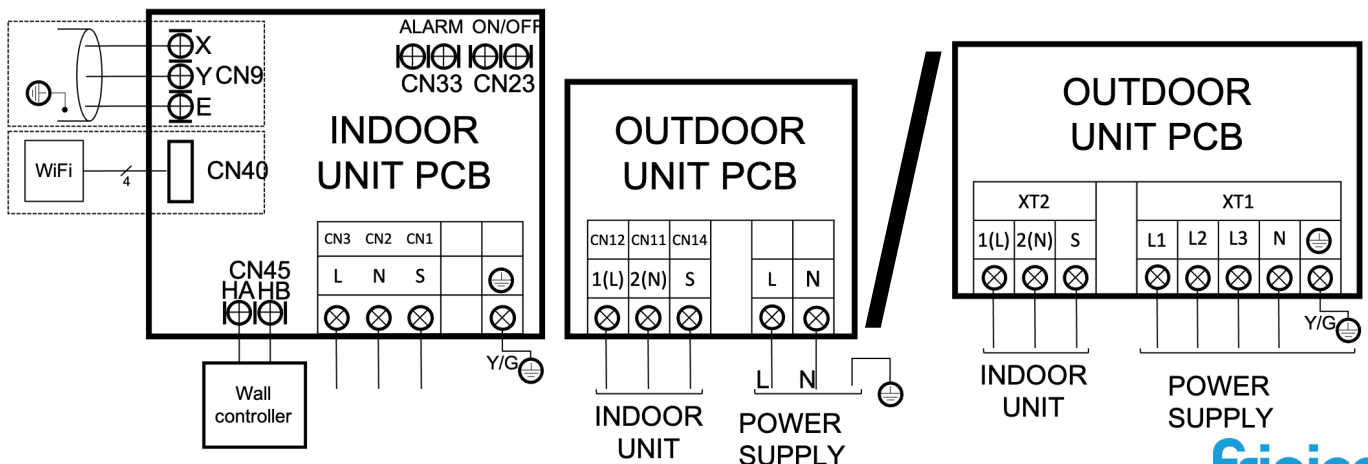
Product certified by:



FEATURES

Model	KPDA-140 DVR15	KPDA-140 DTR15
Cooling capacity	14,07 kW	14,07 kW
Cooling power input	4800 W	4800 W
Heating capacity	16,12 kW	16,12 kW
Heating power input	4600 W	4600 W
ErP Classification cold/heat	A++ / A+	A++ / A+
Airflow (indoor)	1300 m ³ /h / 1700 m ³ /h / 2000 m ³ /h	1300 m ³ /h / 1700 m ³ /h / 2000 m ³ /h
Max. static pressure	200 Pa	200 Pa
Sound pressure (indoor)	42 dB(A) / 44 dB(A) / 46 dB(A)	39,5 dB(A) / 41,5 dB(A) / 43,5 dB(A)
Airflow (outdoor)	5600 m ³ /h	5600 m ³ /h
Sound pressure (outdoor)	64,5 dB(A)	64,5 dB(A)
Power supply	220-240 V / 1 f / 50 Hz	380-415 V / 3 f / 50 Hz
Power wiring (indoor)	With communication	
Power wiring (outdoor)	3x4 mm ²	5x2,5 mm ²
Communication wiring	4x1 mm ²	4x1 mm ²
Possibility of vertical installation	Yes	Yes

WIRING DIAGRAM



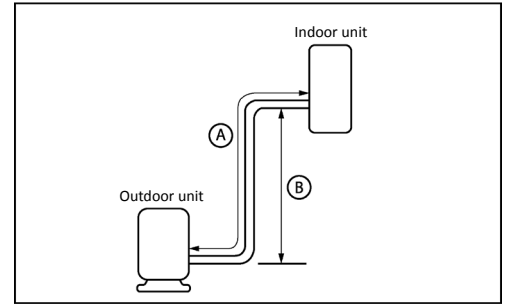
NOTES:

(1) The data and specifications present in this sheet may vary without notice.

(2) The images on this sheet are indicative and may be different from the final machine.

COOLING CONNECTION

Model	KPDA-140 DVR15	KPDA-140 DTR15
Refrigerating pipes	Ø3/8" / Ø5/8"	Ø3/8" / Ø5/8"
Gas	R-32	R-32
Refrigerant charge / Additional charge	2,90 kg / 0,024 kg	2,8 kg / 0,024 kg
Indoor drain pipe	Ø25 mm	Ø25 mm
Max. pipe length (A)	75 m	75 m
Max. level difference (B)	30 m	30 m



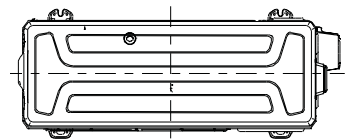
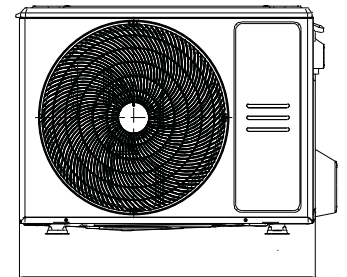
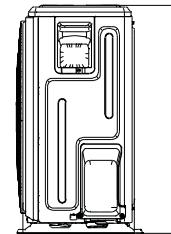
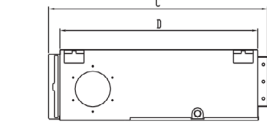
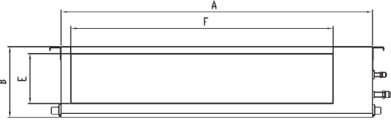
DIMENSIONS & WEIGHT INDOOR

Model	KPDA-140 DVR15	KPD-140 DR15
Width	1200 mm	1200 mm
Height	245 mm	245 mm
Depth	750 mm	750 mm
Weight	40,40 kg	40,40 kg

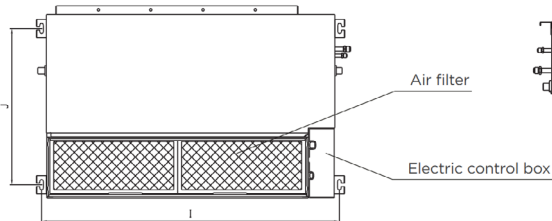
DIMENSIONS & WEIGHT OUTDOOR

Model	KPDA-140 DVR15	KUE-140 DTR14
Width	980 mm	980 mm
Height	975 mm	975 mm
Depth	375 mm	375 mm
Weight	82 kg	90 kg

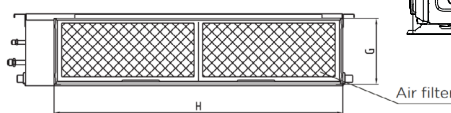
Air outlet dimensions



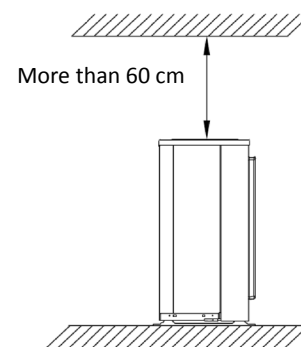
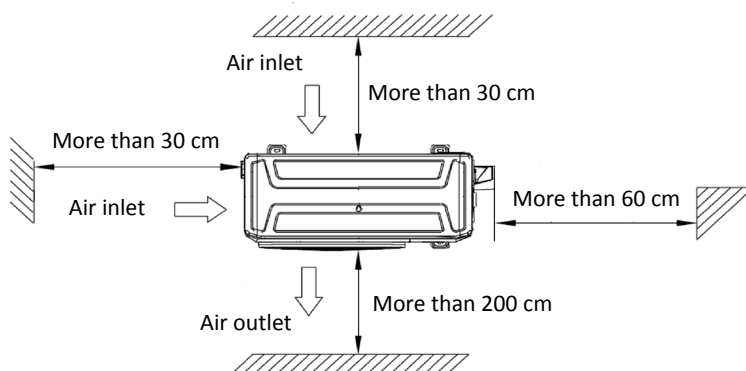
Descending ventilation opening and mounted hook



Air inlet dimensions

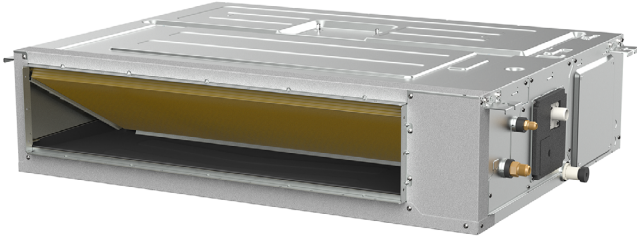


INSTALLATION

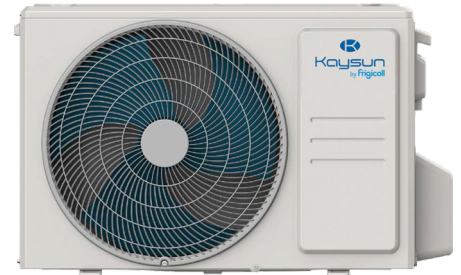


Ducts

PRODUCT SHEET



KCT-04.1 SPSWF
Recommended controller



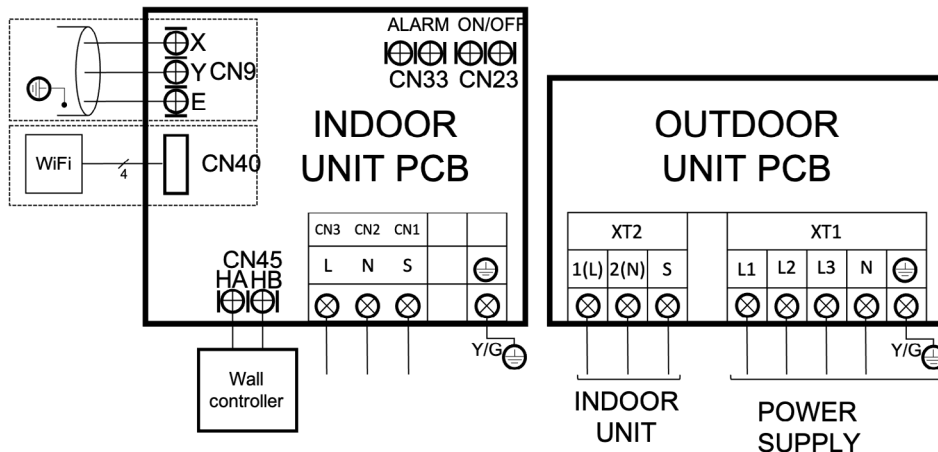
Product certified by:



FEATURES

Model	KPDA-160 DTR15
Cooling capacity	15,24 kW
Cooling power input	5250 W
Heating capacity	17,59 kW
Heating power input	5150 W
ErP Classification cold/heat	A++ / A+
Airflow (indoor)	1500 m ³ /h / 1900 m ³ /h / 2200 m ³ /h
Max. static pressure	200 Pa
Sound pressure (indoor)	41,5 dB(A) / 43 dB(A) / 44,5 dB(A)
Airflow (outdoor)	5600 m ³ /h
Sound pressure (outdoor)	65 dB(A)
Power supply	380-415 V / 3 f / 50 Hz
Power wiring (indoor)	With communication
Power wiring (outdoor)	5x2,5 mm ²
Communication wiring	4x1 mm ²
Possibility of vertical installation	Yes

WIRING DIAGRAM



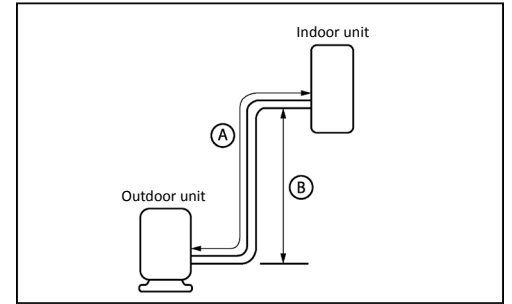
NOTES:

(1) The data and specifications present in this sheet may vary without notice.

(2) The images on this sheet are indicative and may be different from the final machine.

COOLING CONNECTION

Model	KPDA-160 DTR15
Refrigerating pipes	Ø3/8" / Ø5/8"
Gas	R-32
Refrigerant charge / Additional charge	3,20 kg / 0,024 kg
Indoor drain pipe	Ø25 mm
Max. pipe length (A)	75 m
Max. level difference (B)	30 m



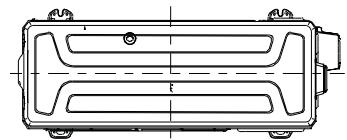
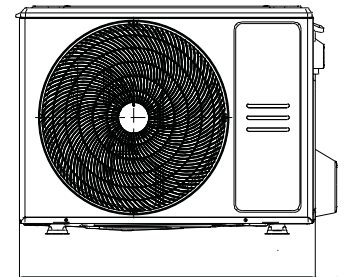
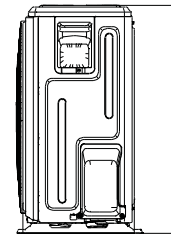
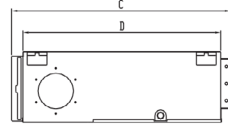
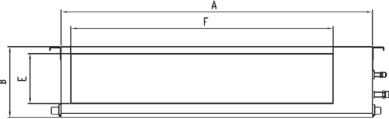
DIMENSIONS & WEIGHT INDOOR

Model	KPD-160 DR15
Width	1200 mm
Height	300 mm
Depth	750 mm
Weight	47,40 kg

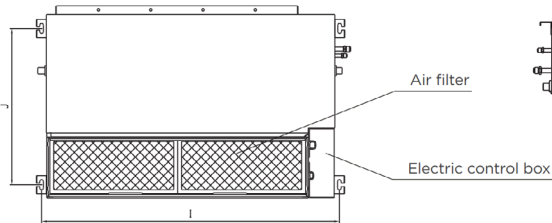
DIMENSIONS & WEIGHT OUTDOOR

Model	KUE-160 DTR14
Width	980 mm
Height	975 mm
Depth	375 mm
Weight	92 kg

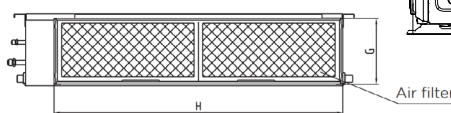
Air outlet dimensions



Descending ventilation opening and mounted hook



Air inlet dimensions



INSTALLATION

