



IN240500415V01_GL

820-361V00



EN_IMPORTANT, RETAIN FOR FUTURE REFERENCE: READ CAREFULLY.


**FR_IMPORTANT: A LIRE ATTENTIVEMENT ET À CONSERVER POUR CONSULTATION
ULTÉRIEURE.**

ES_IMPORTANTE, LEA Y GUARDE PARA FUTURAS REFERENCIAS.

PT_IMPORTANTE, RETER PARA REFERÊNCIA FUTURA: LEIA ATENTAMENTE.

DE_WICHTIG! SORGFÄLTIG LESEN UND FÜR SPÄTERES NACHSCHLAGEN AUFBEWAHREN.

**IT_IMPORTANTE! CONSERVARE IL PRESENTE MANUALE PER FUTURO RIFERIMENTO E
LEggerlo ATTENTAMENTE.**

Product photo	
Model number	VOG49
SKU No.	820-361V00
Burner capacity (L)	0.9
Heat output (KW)	1.76
Burn out time (h)	3.3
Net weight (kg)	12
Suggested minimum room volume (m ³)	48
Intended fuel	≥95% C 2 H 5 OH
Type of appliance	FREE STANDING TYPE
<ul style="list-style-type: none"> ● not suitable for continuous operation. ● only use the intended fuel. ● only to be operated in rooms according to the manual. ● the operating instructions shall be read carefully before installation and use. ● beware of hot surfaces. ● do not put anything on top of the appliance. 	

IMPORTANT SAFETY INFORMATION!

WARNING

- **Please read all instructions carefully before using the fireplace! Retain this manual for future reference.**

Failure to follow these instructions can result in damage or serious injury.

- **Important:** This fireplace is for decoration only – do not use it as a heater.
- Follow the section 'Installation and assembly' when installing this fireplace.
- This fireplace is not intended for continuous operation.
- Never leave the fireplace unattended while in use.
- To install and use the fireplace in a public building, it is important to comply with regulations and follow the authorised inspection procedure enforced by the competent authorities.
- Before placing the fireplace on a wall, table or floor, ensure that it can support its weight
- It is important to follow local legislation.
- Do not change or modify the construction of this appliance.
- During operation, certain parts of this fireplace, especially the outer surfaces, may become hot. Handle with caution.
- Before lighting the appliance, remove any excess fuel.

- Regularly check the secondary containment chamber for fuel overspill.
- If excess fuel is detected in the chamber, empty the tank (e.g., before each refill of the refueling tank).

It is prohibited:

- To use this fireplace inside caravans, boats or any other vehicle.
- For the user to tamper with the safety devices.

SAFETY WARNING

- **WARNING!** Never refill or handle the fireplace when it is hot or warm. There is a risk of explosion!
- **Caution:** This appliance emits combustion byproducts.
- Only use this appliance in a properly ventilated room. Do not obstruct the room's ventilation outlets and do not impede the dwelling's ventilation systems.
- Do not ignite the fireplace in a hot location.
- Do not move the fireplace when in operation.
- Do not use the fireplace as a multi-burner or open fire for liquid or solid combustible materials.
- Do not smoke while refilling or lighting the burner. There is a risk of explosion!
- The flames should never directly touch the inside of the fireplace.
- Avoid physical contact with the Bioethanol.
- It is prohibited for children and individuals under the influence of alcohol, drugs or medication to use this fireplace.
- Small children and pets must be at least one meter (40 inches) away from the fireplace.
- Be cautious of flammable clothing or hair. Do not blow into the fire.
- Never leave the fire unattended.
- Do not cover the fireplace or place flammable materials or clothing on it.
- Do not use any petroleum products such as spirits or essences.
- Do not use the fireplace in non-ventilated rooms. Individuals with respiratory issues should consult their doctor before use.
- It is **not** recommended to place the fireplace in a bedroom or bathroom. If used in a small room (less than 20sqm/220sqf), keep the doors or windows open for ventilation.
- Do not store Bioethanol near the fireplace.
- Do not use the fireplace for cooking, heating water or grilling meat.
- Do not use the fireplace in the presence of flammable gas.
- In case of burn injuries, immediately seek medical attention. Do not apply any treatment to burned skin on your own.

Before using the bio fireplace

- The fireplace is designed for indoor use and should not be used as a heating source.
- We recommend that you place a fire extinguisher nearby the fireplace. If a fire occurs, it is necessary to use a fire extinguisher. Carbon dioxide fire extinguishers must be used to extinguish the fire
- Ensure that flammable products and materials, such as curtains and furniture, are positioned at least one meter (40 inches) away from the fireplace.

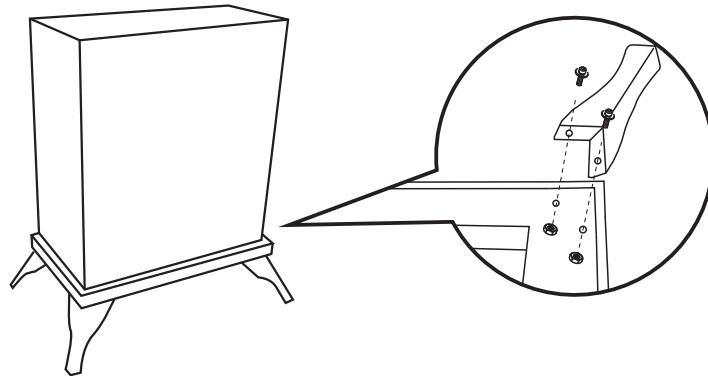
FUEL WARNING

- The fuel used should be a minimum of 95% denatured, non-regenerated liquid ethanol or denatured ethanol gel.
- Do not use fuels other than those recommended or approved by the manufacturer.
- Adding additives, such as essential oils or fragrances, to the fuel is prohibited.
- When filling the fireplace, ensure proper ventilation in the room, refrain from smoking and switch off mobile phones.
- Do not use a manual or electric pump directly to fill the tank.
- To ensure safety, fill the tank while the appliance is switched off.
- Adhere to the conditions for fuel storage, such as health regulations or co-ownership regulations.

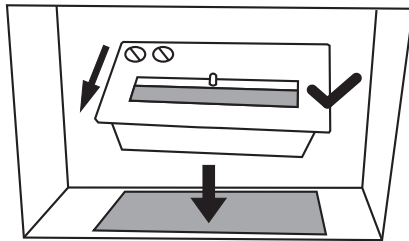
It is recommended to store the fuel in containers with child-proof caps in compliance with EN ISO 8317.

Installation and assembly

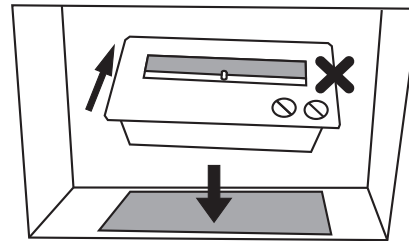
- Installation only in a location which is protected against cross-aeration/air draft.
- Install the fireplace on a solid, flat and stable surface made of non-flammable material.
- Before assembly, remove all packaging and information materials.



- Please put burner into fireplace in correct direction, Please see below picture.



Correct direction Door move outward

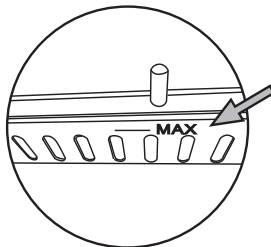


Wrong direction Door move inward

Starting up

Filling the burner box:

- Before using the burner, carefully check for any leakage. If there is a leakage, contact the retailer immediately.
- Fill the burner with fuel, ensuring it does not exceed 2/3 of the burner's capacity. Do not overfill it.



CAUTION: Do not exceed the 'MAX' line when refueling.

- In case of any spilt alcohol, it must be immediately cleaned with an absorbent tissue, then cleaned with water to prevent ignition outside the burner reservoir.
- **CAUTION:** Spilled alcohol may cause staining on flooring.
- Use a long lighter or long match to safely ignite the fuel in the burner. Keep a horizontal minimum distance of 140mm (5.5 inches) when igniting the fire.
- If the flame does not ignite, repeat the ignition process until the flame burns steadily.
- The fuel may burn low initially. Allow approximately 15 minutes for the flame to reach optimum temperature and height.
- **ATTENTION:** Store the fuel at room temperature to facilitate ignition.
- **CAUTION:** Store the fuel in a safe place, at least one meter (40 inches) away from the fireplace.
- Do not place fuel in front of the fireplace.
- Keep your face and body away from the fireplace during the ignition process.

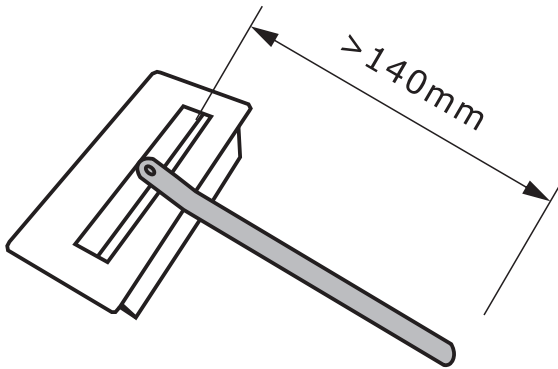
REFILL WARNING

- Before refilling the burner, ensure there is no longer any visible flame on the surface. Note: The flame may be difficult to see, so ensure it is fully extinguished.

- **WARNING!** Never attempt to refill a burner that is still burning. It is crucial to wait at least 20 minutes for the burner to cool down before refilling it.

EXTINGUISHING THE FLAME

- To extinguish the flame, use the extinguisher tool that is provided in the package. Keep the fire extinguishing tool at least 140mm (5.5 inches) away from the flame.



CAUTION: Do not directly touch the surface of the burner – it can be extremely hot.

- **CAUTION:** Never extinguish the flame with water.
- **CAUTION:** Never blow out the flame to put it out, as this can increase the flame.
- Before reigniting, allow the flame to burn out completely. This prevents alcohol residue and potential fire hazards.
- To extinguish the flame before the fuel has burned out, use the extinguisher tool to fully close the opening of the burner and wait for the flame to be extinguished.
- If the flame is not immediately extinguished, close the cover and wait approximately 10-15 minutes for the flame to cool down. Repeat these instructions until the flame is fully extinguished.
- **CAUTION:** The fireplace will remain hot when lit and may stay hot for a while after the flame has been extinguished. Handle with caution.
- It is recommended to let the fireplace burn until all the fuel has been consumed.

MAINTENANCE AND CLEANING INSTRUCTIONS

- Use a wet cloth to clean the inside surface of the fireplace. The burner may change color due to heat, and the stainless steel may have a different appearance over time. Regular maintenance will help preserve its color. Do not clean with water or put in a dishwasher.
- For cleaning, wipe across the slot and surface of the burner with a small amount of Bioethanol on a paper towel.
- **CAUTION:** Never use chemicals, steel wool or scrubbing sponges as they can scratch the surface. The manufacturer is not responsible for any damages resulting from improper use or cleaning.
- Repair, replacement of major parts and work on safety elements must be done by approved specialists recognized by the manufacturer or importer. Certain components are essential for product safety and can affect performance.
- During maintenance or repair, use only original components recognized as equivalent.
- Regularly check the fireplace, especially in winter. Keep the ethanol burners empty when not in use.

WARNING LABELS



Do not fill fuel into the open flame



Do not fill fuel into the hot burner



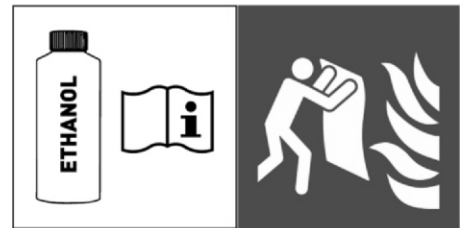
Keep the fireplace away from combustible items



Never fan the fire



Do not touch the flames



Adhere to instructions about fuel. ISO 7010-F016, Fire blanket



Protect fireplace against draft



Do not put any objects onto the fireplaces



Health hazard



ISO 7010-P002, No smoking



Keep suitable extinguishing agent ready



ISO 7010-W021, Warning; Flammable material