

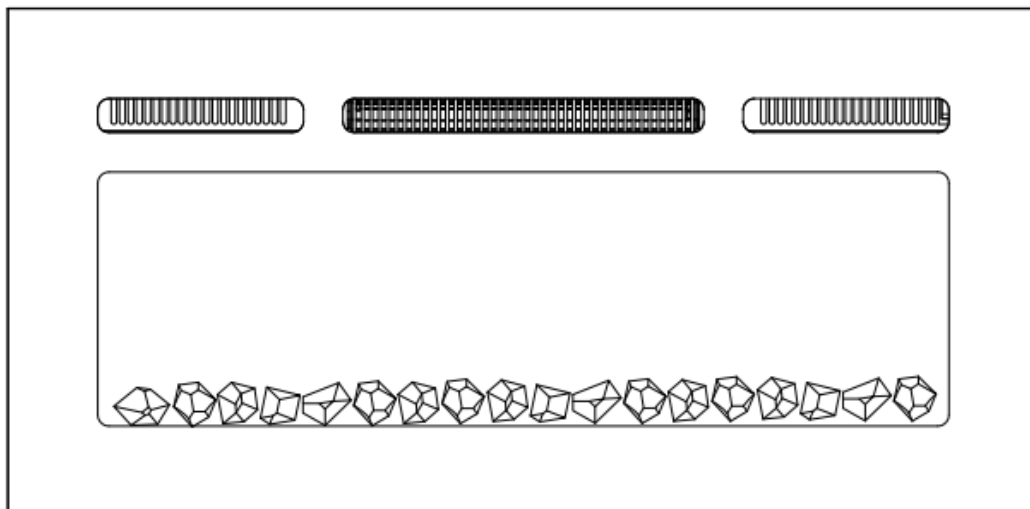


IN230500369V01\_UK

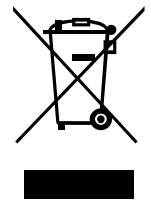
**820-345V73\_820-345V74**

**820-345V73 (EF140N)**

**820-345V74 (EF150N)**



**UK  
CA**



**IMPORTANT, RETAIN FOR FUTURE REFERENCE: READ CAREFULLY**

**INSTALLATION AND USER INSTRUCTION GUIDE**

**IMPORTANT: BEFORE USE, READ ALL INSTRUCTIONS CAREFULLY. KEEP THIS MANUAL FOR FUTURE REFERENCE!**

**Important Safety Instructions**

When using this electrical appliance, follow basic precautions to reduce the risk of fire, electric shock and injury to persons, including the following:

- Under guided supervision, this appliance can be used by children aged eight years and above, provided they understand the potential risks and hazards. Under guided supervision, this appliance can be used by persons with disabilities or persons without experience, provided they understand the potential risks and hazards.
- Children must not play with this appliance. Only adults should handle the cleaning and maintenance of this appliance.
- Small children must be constantly supervised when near this appliance.
- Children from three years and less than eight years, shall only switch on/off the appliance, provided it has been placed in its intended position and they have been given supervision or instruction concerning the use of the appliance, understanding the hazards involved. Small children must not plug in, regulate, clean or maintain this appliance.
- To ensure safe operation, use this heater only with an AC power supply that matches the voltage marked on the appliance.
- Before switching the appliance on, ensure it is properly installed as described in this manual.
- To avoid fire hazards, keep this appliance at least one metre away from furniture, curtains and other flammable materials.
- Never leave the appliance unattended when connected to the mains supply.
- This appliance is for household use only. Do not use for industrial purposes.
- Occasionally check the cord for damage. If there are damages to the cord or any part of the appliance, do not use the appliance.
- Do not use this appliance if the plug or cord is damaged, or if it has been drooped or malfunctioned in any way.
- Repairs to electrical appliances should only be performed by a qualified electrician. Improper repairs may place the user at serious risk.
- Do not run the mains cable under carpets, rugs etc.
- Do not allow the mains cable to hang over sharp edges or touch hot surfaces.
- **WARNING:** To avoid overheating, do not cover or obstruct the heater in any way.
- Overheating will result if it is accidentally covered.
- Never submerge the product in water or any other liquids.
- Do not use the appliance outdoors.
- Never use this appliance with wet hands.
- Never use the appliance on or near hot surfaces.
- Before cleaning, unplug the appliance and wait for it to cool down completely.
- Do not clean the appliance with abrasive chemicals.
- Never use accessories that are NOT recommended or supplied by the manufacturer. It could cause danger to the user or damage to the appliance.
- Do not lift the appliance by the front panel.
- **CAUTION:** To avoid hazards due to inadvertent resetting of the thermal cutout, do not use this appliance through an external switching device, such as a timer or connected to a circuit that is regularly switched on and off by the utility.
- **WARNING:** Do not use this heater in small rooms with people who cannot leave on their own, unless constantly supervised.

- If the supply cord is damaged, it must be replaced by the manufacturer, its service agent or similarly qualified persons to avoid hazards.
- Do not place the heater directly below a socket outlet.
- Never use the heater near bathtubs, showers, swimming pools or other bodies of water.
- **CAUTION** — some parts of this product can become very hot and cause burns. Particular attention must be given where children and vulnerable people are present.



**WARNING:** To avoid overheating, do not cover the heater.

### Getting Started

- Remove the appliance from the box.
- Remove any packaging from the product.
- Place the packaging inside the box and either store or dispose of safely.

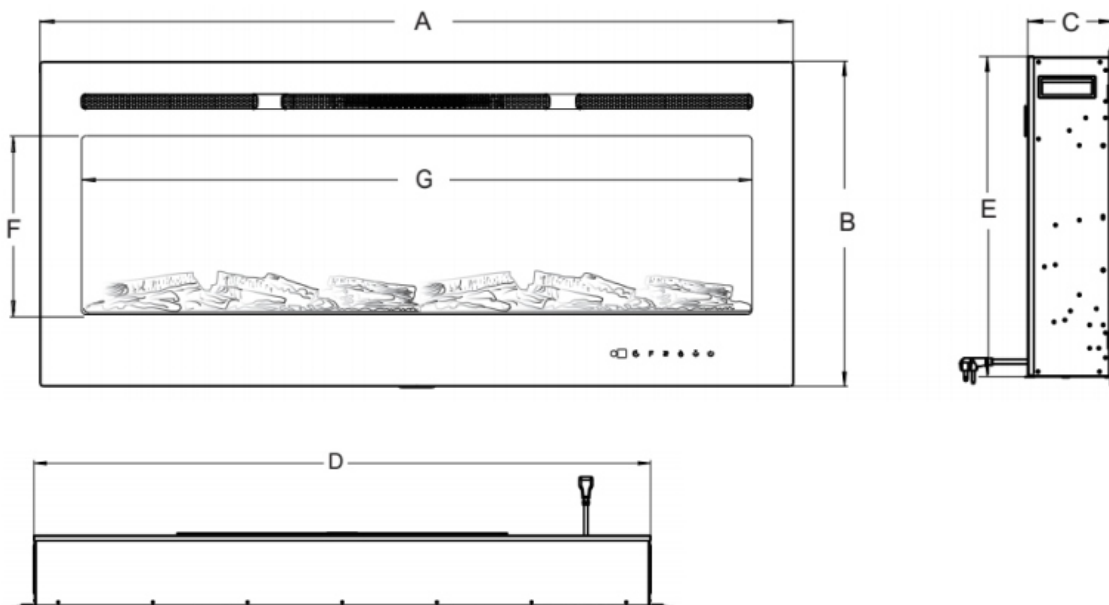
### Contents of Carton

- Heater
- Wall-fixing bracket
- Fixing screws and wall plugs
- Remote control
- Instruction manual

### Helpful Advice before Fitting

- Before throwing away the packaging, check the list to ensure that all parts are present.
- The packaging contains small items. Keep away from small children.
- It is recommended to place all parts into a container. This way, you reduce the risk of losing small pieces.

### Specification and Dimensions



Model Number	A	B	C	D	E	F	G
EF136N	36"	17.72"	6.06"	32.28"	16.7"	8.86"	29.72"
	91.5cm	45.0cm	15.4cm	82.0cm	42.4cm	22.5cm	75.5cm
EF140N	40"	17.72"	6.06"	36.22"	16.7"	8.86"	33.70"
	101.3cm	45.0cm	15.4cm	92.0cm	42.4cm	22.5cm	85.6cm
EF150N	50"	17.72"	6.06"	46.26"	16.7"	8.86"	37.70"
	127.0cm	45.0cm	15.4cm	117.5cm	42.4cm	22.5cm	111.0cm

### Installation of fixing appliances

This appliance is designed to be mounted to a wall.

Choose a suitable location that is not prone to moisture. Keep the appliance away from congested areas, furniture and drapes.

**NOTE:** Follow all national and local electrical codes.

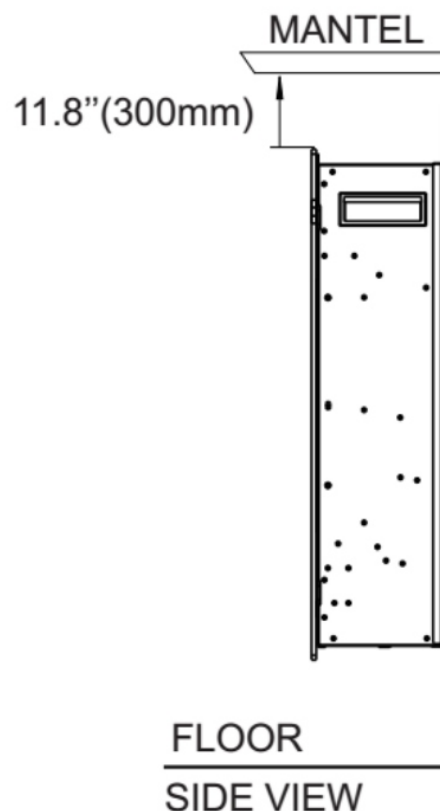
### Minimum clearance to combustibles

**Note:** Measurements are taken from the glass front.

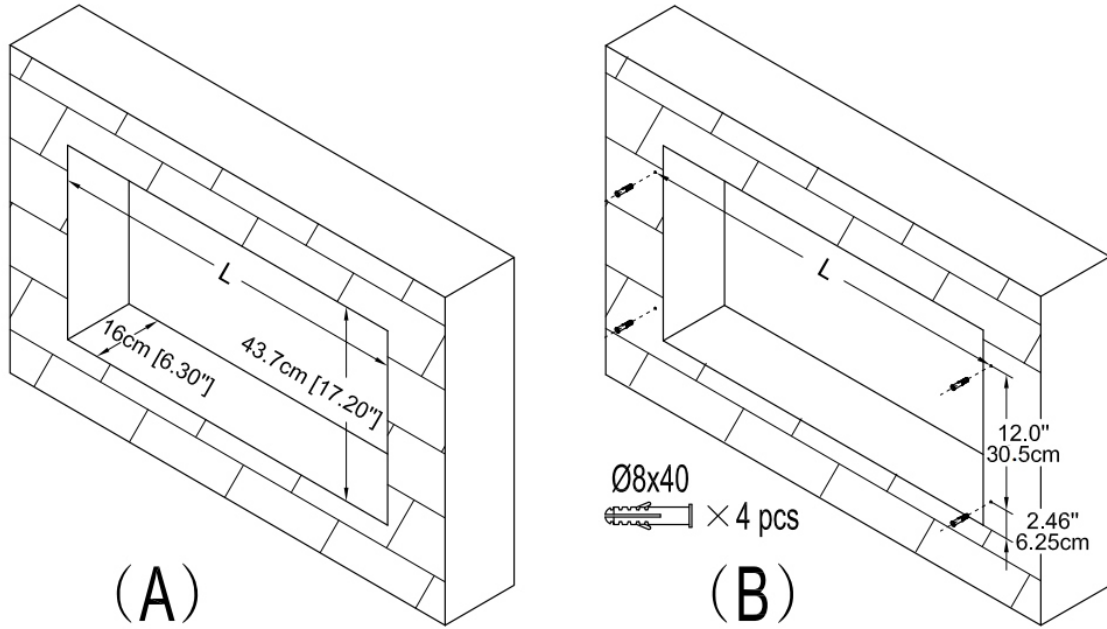
Bottom	0"	Top	8" (300mm) to mantel
Sides	0"	Top	8" (300mm) to ceiling
Back	0"		

### Minimum clearance to mantel

**WARNING:** To avoid discolouration, use heat-resistant paint or lacquer when finishing the mantel.



## INSERT INSTALLATION



**Note:** The included wall-mount fasteners are to be used on concrete walls only. For wood walls, cinder blocks or other wall types, consult a professional for the best attachment methods.

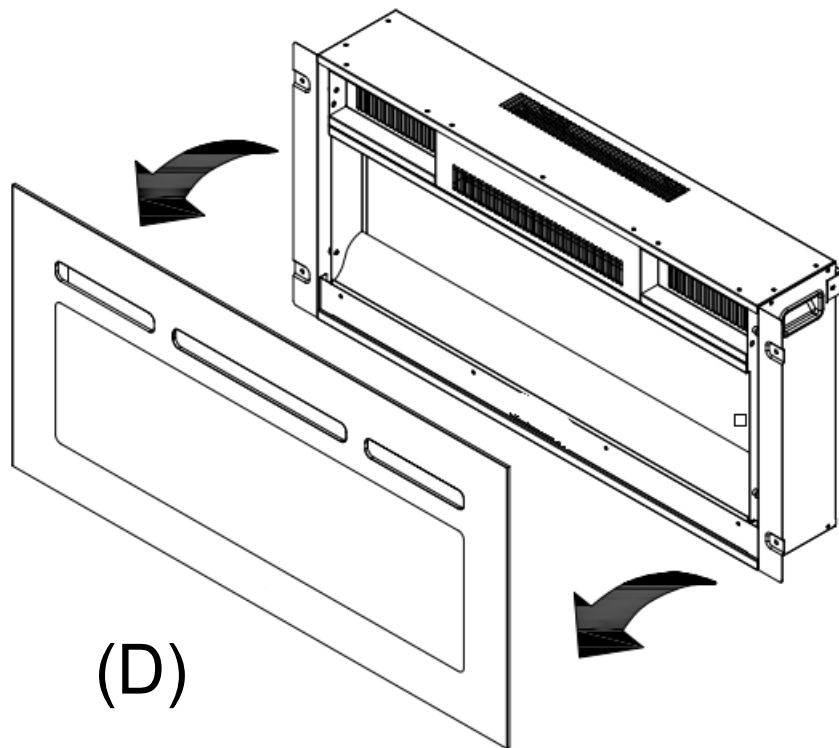
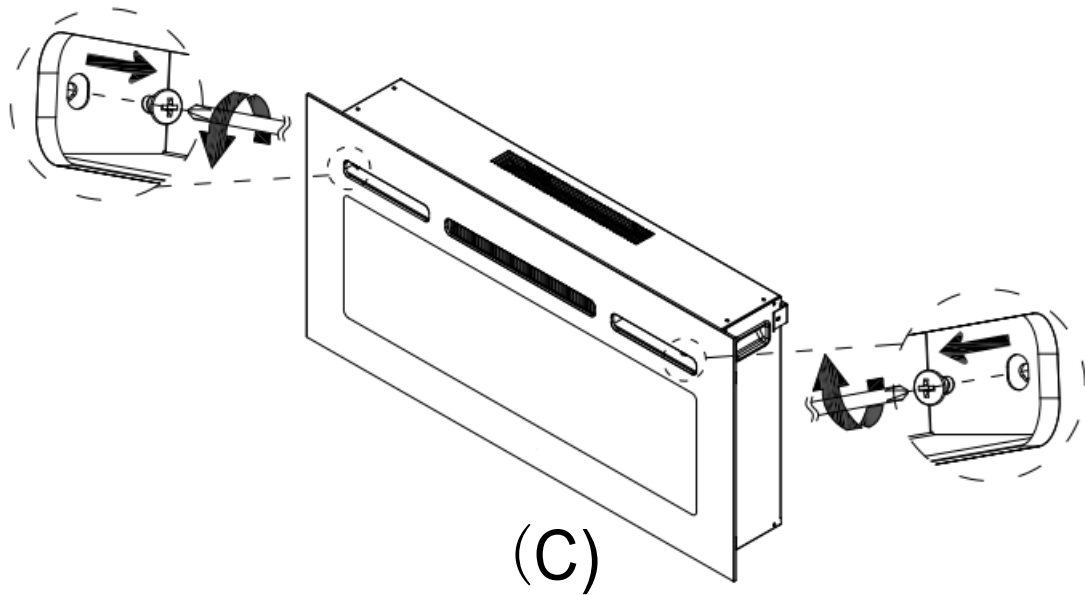
STEP A. Choose a drywall and create an opening for the appliance. Create a hole using the chart below in Figure (A).

Framing Hole Size		
Model Number	(A)	(B)
	L	L
EF136N	32.87"	34.49"
	83.5cm	87.6cm
EF140N	36.81"	38.43"
	93.5cm	97.6cm
EF150N	46.85"	48.46"
	119.0cm	123.1cm

STEP B. Using the dimensions shown in the diagram, attach the four anchors to each side of the appliance, as shown in Figure (B).

STEP C. Remove the two screws from both sides of the appliance Figure (C).

STEP D. With at least two people, remove the glass panel from the appliance. Place it on a soft and clean surface, as shown in Figure (D).



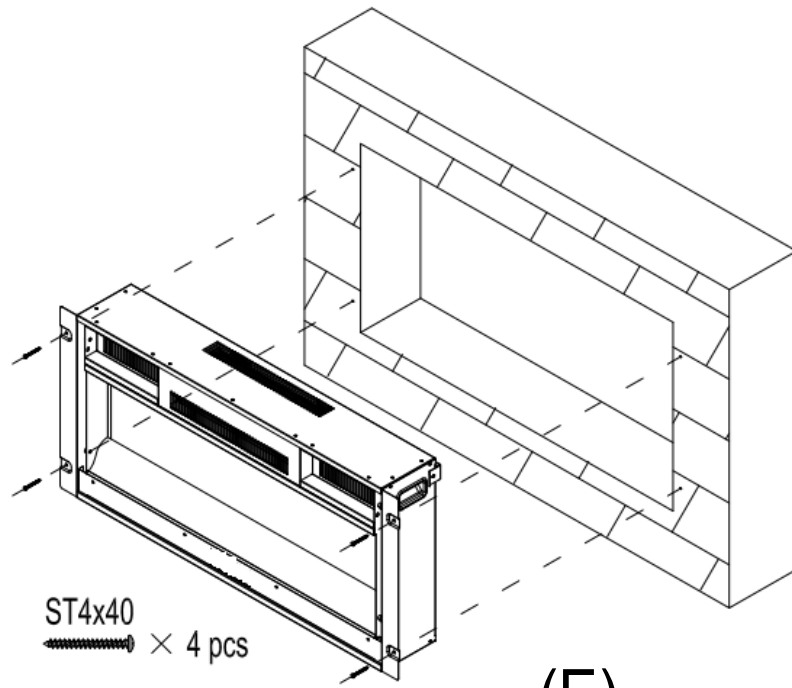
STEP E. With at least two people, move the appliance into the wall hole.

If the appliance is fully recessed into the wall:

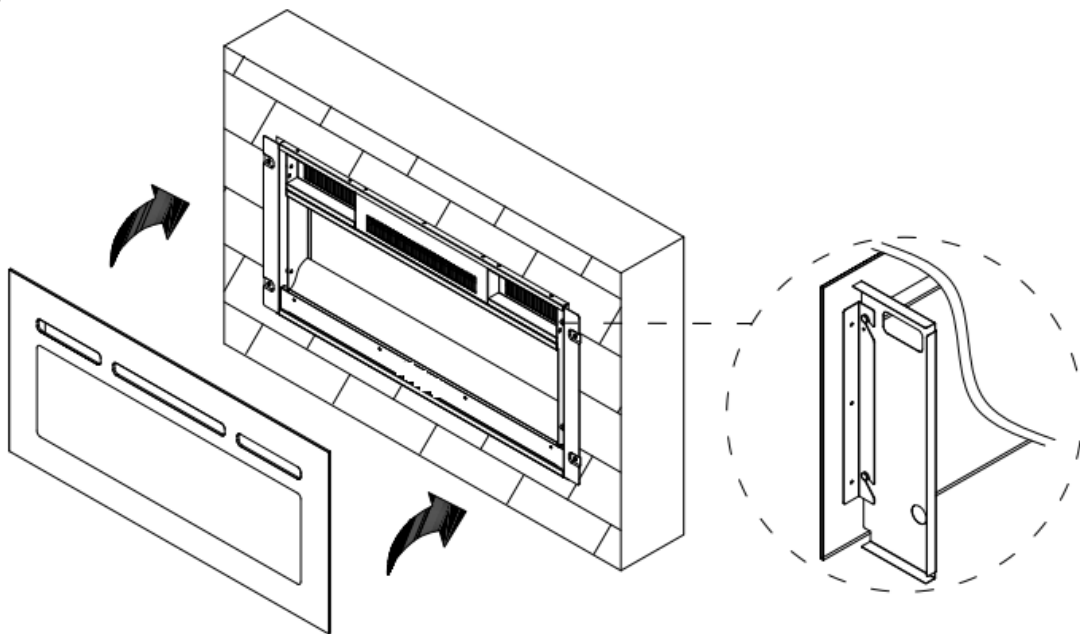
- 1) Using the four screws provided, secure the appliance to the wall with the existing side flanges, as shown in Figure (E).
- 2) Install the fireplace media and reattach the glass front.

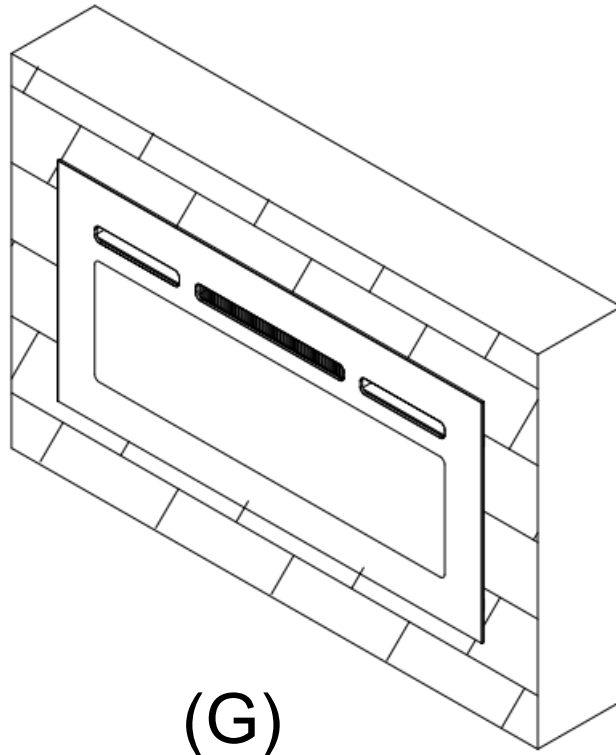
STEP F. Place the front panel to secure the appliance, as shown in Figure (F).

STEP G. Once installed, the fireplace should look like the picture in Figure G.



(E)





(G)

### Wall-mounting installation

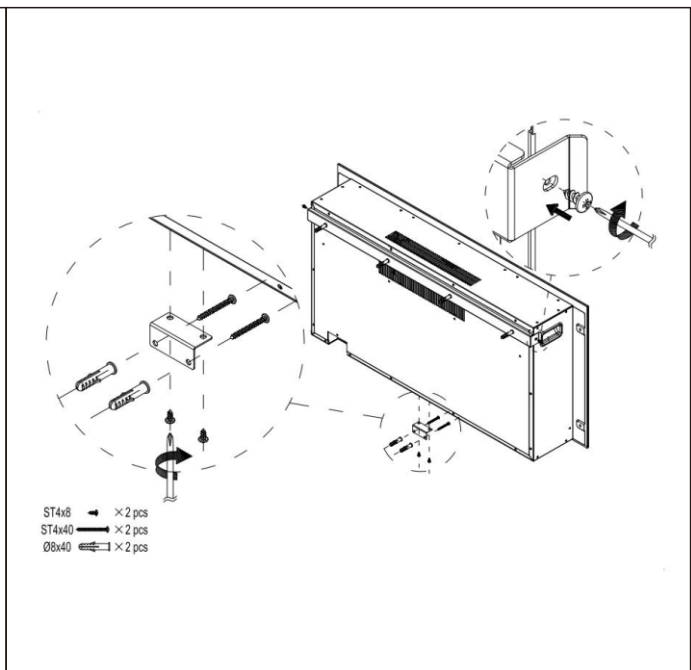
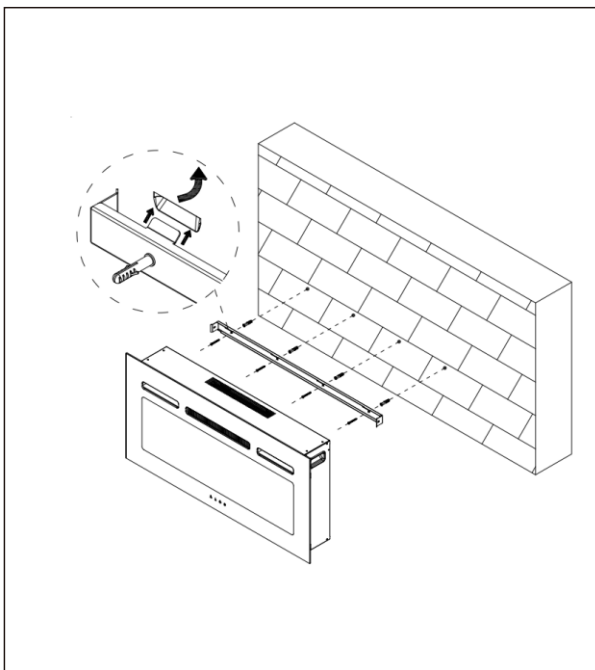
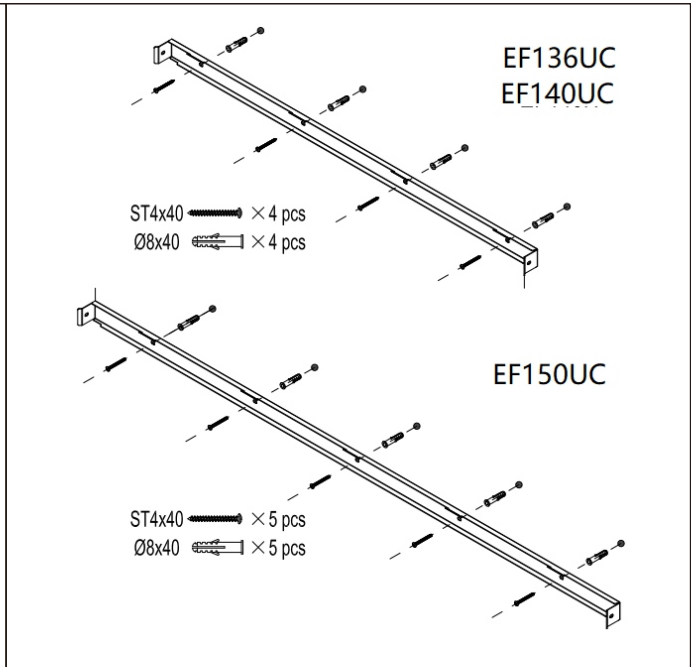
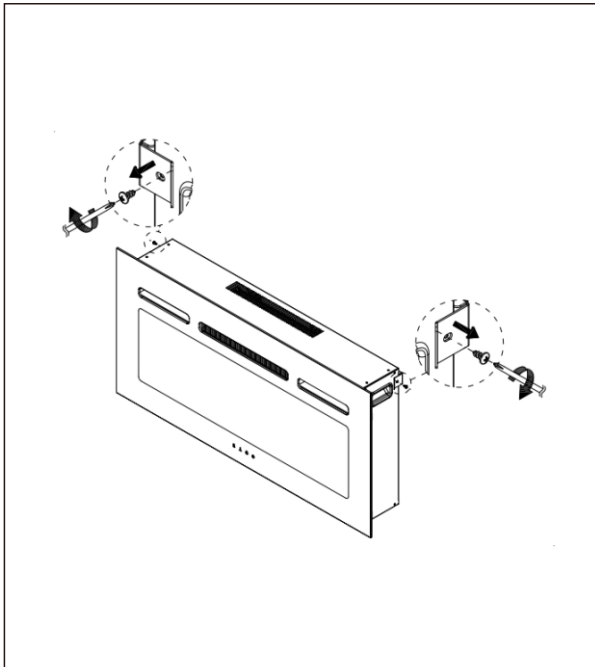
To install this appliance safely and correctly, it is strongly recommended that you seek advice from a local builder before installation, as different wall materials may require specific installation methods.

- A. Choose a location that is at least 36 inches (914mm) away from combustible materials, such as furniture, bedding, paper, curtains and drapes. Ensure the location is free from moisture.
- B. With two people, hold the appliance against the wall to determine its final location.
- C. Place the appliance face down on a soft, non-abrasive surface. Remove the bracket from the back of the appliance by removing the screws (Figure 1).
- D. First, mark the desired location on the wall. Next, using the screws provided, mount the bracket(s) onto the wall. Ensure the hooks of the bracket face upwards and the bracket is mounted level.

**NOTE:** It is recommended to screw the mounting bracket into wall studs if possible. If wall studs cannot be used, ensure you use the supplied plastic anchors to attach the bracket to the wall and secure it firmly.

- E. Once the wall-mounting bracket is installed, two people need to lift the appliance and attach the two hooks, which are on the bracket, into the two slots on the back of the appliance.
- F. Mark the position for the two bottom holes, then remove the appliance, ensuring the bottom fixing bracket is rotated up. Drill and fit the wall plug.
- G. Reattach the appliance to the wall fixing bracket, rotating the bottom fixing bracket into place. Use the provided screw to securely fasten the appliance in place.
- H. Tighten the screws on the side of the fireplace to firmly secure the heater to the wall bracket.





## Instructions for use

**WARNING:** Before plugging in or using this appliance, ensure you have read and understood this entire manual, including all safety information. Failure to do so could result in electric shock, fire, serious injury or even death.

### Methods of operation

Control the fireplace with the switch, located on the right side of the cold air inlet. Or use the remote control.

### Manual Operation

The switches are on the right side of the cold air inlet. Ensure the standby switch is on. Press the power button to turn on the appliance and fire effect. A red indicator light will appear, meaning the function is on. Hold the power button for three seconds – this will control the colour of the flame.

Press the 1000W button for the low heat setting. Press again to switch it off.

Press the 2000W button for the high heat setting. Press again to switch it off.

## Remote Operation

Ensure the standby switch, located on the right side of the cold air inlet, is switched on. It takes some time for the receiver to respond to the transmitter. For correct use, do not press the buttons repeatedly within two seconds.

### 1. Boot steps

- Press the power button on the remote control to turn on/off the appliance and fire effect.
- Press the 1000W button for the low heat setting. Press again to switch it off.
- Press the 2000W button for the high heat setting. Press again to switch it off.
- Press the colour button to change the flame to your desired colour.

### 2. Automatic heating

Press the 'IC' button on the remote controller to enter and exit the automatic heating. When turned on, the appliance automatically changes the heating mode, depending on the set temperature and room temperature.

During a timed starting process, it is possible to start heating before schedule.

### 3. Setting the day and time

- 1) Use the remote controller for changing the settings.
- 2) Press the 'DATE TIME' button, then press ▲ or ▼ to select the day.
- 3) Press the 'DATE TIME' button again, then press the + or - to set the hour.
- 4) Press the 'DATE TIME' button again, then press + or - to set the minute.
- 5) Press 'OK' to complete.

### 4. Temperature setting

The default temperature is 20°C. Press + or - on the remote controller to adjust the temperature, which ranges from 15-30°C.

**NOTE:** For the heat to work, the set temperature must be higher than room temperature.

### 5. Timer setting

#### 1) Description of timer setting

- You can set up to 10 timers, each with a date, power-on time and shutdown time. Each timer can last for a maximum 23 hours and 50 minutes.
- You can choose which days of the week each timer will be active.
- If the shutdown time fails on the next day, you only need to set the shutdown time and not the date.

#### 2) Steps to view the timer setting

- Press the 'TIMER SET' button.
- Press + or – to cycle through the timer settings and view the power-on time for each one.
- To check the shutdown time of the timer, press the ▲ button.

Press + or – to continue viewing.

To delete the current setting, press 'C'.

#### 3) Steps for timer setting

##### (I) Select the settings of the serial number

- Press the 'TIMER SET' button. The item number will start blinking.
- Press + or – to change the serial number to the desired setting you need to modify or set.

## (II) Select date

- Press the 'TIMER SET' button once again. The cursor on the left side of the day starts blinking.
- Press ▲ or ▼ to select the desired day, then press + to add it or - to delete it. Repeat until all days are selected.

## (III) Set the start time

- Press the 'TIMER SET' button until the hour starts blinking.
- Press + or - to adjust the hour.
- Continue to press the 'TIMER SET' button until the minute starts blinking.
- Press + or - to adjust the minute.

## (IV) Set the shutdown time

- Press the 'TIMER SET' button until the display turns off and the hour starts blinking.
- Press + or - to adjust the hour.
- Continue to press the 'TIMER SET' button until the minute starts blinking.
- Press the + or - to adjust the minute.

## (V) Set temperature

- Press the 'TIMER SET' button until the temperature set starts blinking. When this happens, the temperature displayed is the set temperature, which can be adjusted by pressing + or -.

## (VI) Press 'TIMER SET' to continue with the settings. Press 'OK' to complete the setting.

## 6. Timer switch

- The 'TIMER ON/OFF' function is used to control the timed opening and closing of the appliance.
- After a power outage, the original timer setting is preserved, but the current date and time must be reset.

**Note:** When the weekly timer is activated, the heating function must also be turned on. Otherwise, when the appliance restarts, only the flame effect will work.

## Troubleshooting

Problem	Solution
The appliance does not work.	Ensure the appliance is properly plugged into the socket outlet. Check if the safety cut-off is active.
The flame effect does not work.	The LED system must be checked by a qualified electrician.

## Bulbs replacement

- This appliance does not use standard bulbs for the flame effect. It uses an electronically controlled LED system, therefore no parts need to be replaced. There are no user-serviceable parts on this appliance. Only a qualified electrician is allowed to service this appliance.

## Maintenance

- **Warning:** Before cleaning or maintenance, unplug the appliance and wait for it to cool down completely.
- This remote control uses two 1.5V AAA batteries. Make sure the batteries are installed correctly in the remote control.

## Cleaning

- **Warning:** Always unplug the appliance before cleaning.
- For general cleaning, use a soft duster – never use abrasive cleaners. Gently clean the glass viewing screen with a soft cloth. DO NOT use proprietary glass cleaners.

## Technical Specification

- Voltage: 220V-240V~50Hz
- Rated power: 2000W



Waste electrical products should not be disposed of with household waste. Please recycle where facilities exist. Check with your local authority or retailer for recycling advice.

When you purchase a new appliance, the retailer is legally required to take back your old appliance for disposal, usually free of charge.

If you have any questions, please contact our customer care center.  
Our contact details are below:



0044-800-240-4004



enquiries@mhstar.co.uk

IMPORTER ADDRESS:  
MH STAR UK LTD  
Unit 27, Perivale Park,  
Horsenden lane South  
Perivale, UB6 7RH  
MADE IN CHINA

**Table for information requirements for electric local space heaters**

Model identifier(s): 820-345V73 (EF140N), 820-345V74 (EF150N)					
Item	Symbol	Value	Unit	Item	Unit
Heat output			Type of heat input, for electric storage local space heaters only (select one)		
Nominal heat output	$P_{nom}$	2.0	kW	Manual heat charge control with integrated thermostat	[NA]
Minimum heat output (indicative)	$P_{min}$	1.0	kW	Manual heat charge control with room and/or outdoor temperature feedback	[NA]
Maximum continuous heat output	$P_{max}$	2.0	kW	Electronic heat charge control with room and/or outdoor temperature feedback	[NA]
Auxiliary electricity consumption			Fan assisted heat output		[NA]
At nominal heat output	$el_{max}$	0.014 (fan motor)	kW	Type of heat output/room temperature control (select one)	
At minimum heat output	$el_{min}$	0.014 (fan motor)	kW	Single stage heat output and no room temperature control	[no]
In standby mode	$el_{SB}$	0.38	W	Two or more manual stages, no room temperature control	[no]
				With mechanic thermostat room temperature control	[no]
				With electronic room temperature control	[no]
				Electronic room temperature control plus day timer	[no]
				Electronic room temperature control plus week timer	[yes]
				Other control options (multiple selections possible)	
				Room temperature control, with presence detection	[no]
				Room temperature control, with open window detection	[no]
				With distance control option	[no]
				With adaptive start control	[yes]
				With working time limitation	[no]
				With black bulb sensor	[no]
Contact details:	IMPORTER ADDRESS: MH STAR UK LTD Unit 27, Perivale Park, Horsenden lane South Perivale, UB6 7RH MADE IN CHINA				

**Remark:**

For electric local space heaters, the measured seasonal space heating energy efficiency  $\eta_s$  cannot be worse than the declared value at the nominal heat output of the unit.

