



IN230500183V01_UK_FR_ES_IT

820-294V70_820-294V90



EN_FOR HOUSEHOLD USE ONLY
FR_POUR USAGE DOMESTIQUE UNIQUEMENT
ES_PARA USO DOMÉSTICO EXCLUSIVAMENTE
IT_SOLO PER USO DOMESTICO



EN_IMPORTANT, RETAIN FOR FUTURE REFERENCE: READ CAREFULLY.

**FR_IMPORTANT: A LIRE ATTENTIVEMENT ET À CONSERVER POUR CONSULTATION
ULTÉRIEURE.**

ES_IMPORTANTE, LEA Y GUARDE PARA FUTURAS REFERENCIAS.

**IT_IMPORTANTE! CONSERVARE IL PRESENTE MANUALE PER FUTURO RIFERIMENTO E
LEggerlo ATTENTAMENTE.**

IMPORTANT INSTRUCTIONS – OPERATING MANUAL

READ AND SAVE THESE INSTRUCTIONS

READ CAREFULLY BEFORE ATTEMPTING TO ASSEMBLE, INSTALL, OPERATE OR MAINTAIN THE PRODUCTS DESCRIBED PROTECT YOURSELF AND OTHERS BY OBSERVING ALL SAFETY INFORMATION. FAILURE TO COMPLY WITH INSTRUCTIONS COULD RESULT IN PERSONAL INJURY AND/OR PROPERTY DAMAGE!

RETAIN INSTRUCTIONS FOR FUTURE REFERENCE.

GENERAL SAFETY WARNING:

1. The heater should be hung on the wall and make the wind outlet down or be placed on flat appliance. You must not place it precipitately or tipsily.
2. Use only the voltage specified on the rating plate of the heater.
3. The heater must not be located immediately below a socket-outlet.
4. Do not cover or restrict airflow to the inlet or exhaust grilles in any manner as the appliance overheat and become a fire risk.
5. Do not block air inlets or outlets in any manner. Check the openings from time to time for accumulated dust.
6. Do not place the appliance close to a radiant heat source.
7. Do not operate in areas where gasoline, paint or other flammable liquids are used or stored.
8. Do not use the appliance to dry clothes.
9. Do not insert or allow foreign objects to enter any ventilation or exhaust opening, as this may cause an electric shock, fire or damage to the appliance.
10. Do not operate any appliance with a damaged cord or after the appliance malfunctions or has been dropped or damaged in any manner. Return to a qualified electrical person for examination, electrical or mechanical adjustment, service or repair.
11. This appliance is intended for household use only and not for commercial or industrial use.
12. Use this appliance only as described in this manual. Any other use is not recommended by the manufacturer and may cause fire, electric shock or injury.
13. The most common cause of overheating is deposits of dust or fluff in the appliance. Ensure these deposits are removed regularly by unplugging the appliance and vacuum cleaning air vent.
14. Do not use abrasive cleaning products on this appliance. Clean with a damp cloth (hot wet) rinsed in hot soapy water only. Always unconnected from the mains supply before cleaning.
15. The appliance heats up slightly when in use. To avoid burns, do not let bare skin touch hot surfaces.
16. The use of an extension cord with this appliance is not recommended.
17. Do not allow cord to come in contact with heated surfaces during operation.
18. If the supply cord is damaged, it must be replaced by the manufacturer its service agent or similarly qualified persons in order to avoid a hazard.
19. If the heater needs repair, please ask for special person or our company authorized maintenance department.
20. Do not use this appliance outdoors, or on wet surfaces.
21. The heater is to be installed so that switches and other controls cannot be touched by a person under the absence of supervision (This appliance is without plug, do not touch the cord directly).

22. Heater must be installed at least 0.2 m below the ceiling.
23. The heater should not be installed close to curtains and other combustible materials.
24. If the motor is not working properly, please stop it immediately, then check it by the qualified persons.
25. During using the heater, please do not open the door or window continually otherwise it will influence the heating effect.
26. If want to shut off the heater, press the on/off switch to off, then the heater will keep the fan working 30 seconds until it is blowing out cool wind, then the heater will stop working, but do not pull the supply cord directly, it is risky exist.
27. Do not use this heater in the immediate surroundings of a bath, a shower or a swimming pool.
28. Timer sets the heater working time.
29. The battery must be removed from the appliance before it is scrapped.
30. The battery is to be disposed of safely.
31. The heater must be installed at least 2 m above the floor.
32. This appliance can be used by children aged from 8 years and above and persons with reduced physical, sensory or mental capabilities or lack of experience and knowledge if they have been given supervision or instruction concerning use of the appliance in a safe way and understand the hazards involved. Children shall not play with the appliance. Cleaning and user maintenance shall not be made by children without supervision.
33. Children of less than 3 years should be kept away unless continuously supervised. Children aged from 3 years and less than 8 years shall only switch on/off the appliance provided that it has been placed or installed in its intended normal operating position and they have been given supervision or instruction concerning use of the appliance in a safe way and understand the hazards involved. Children aged from 3 years and less than 8 years shall not plug in, regulate and clean the appliance or perform user maintenance.

CAUTION – Some parts of this product can become very hot and cause burns. Particular attention has to be given where children and vulnerable people are present.

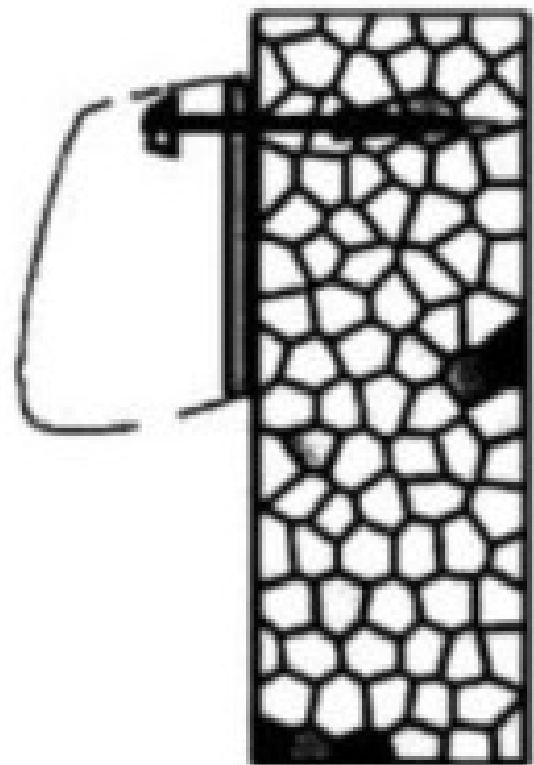
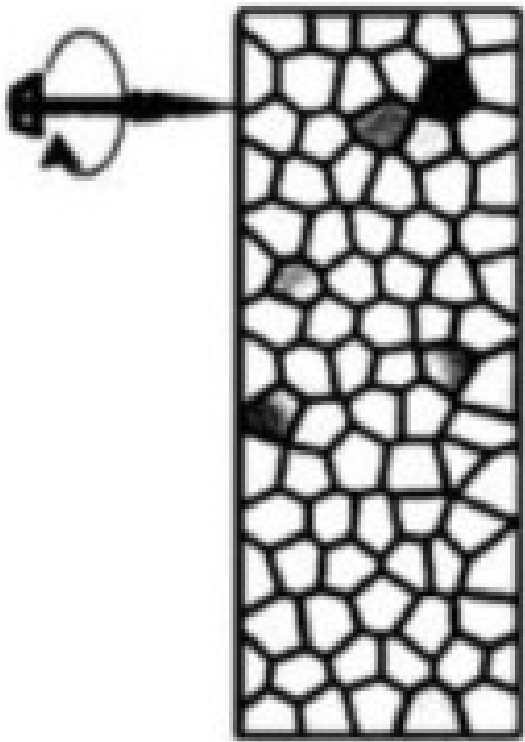
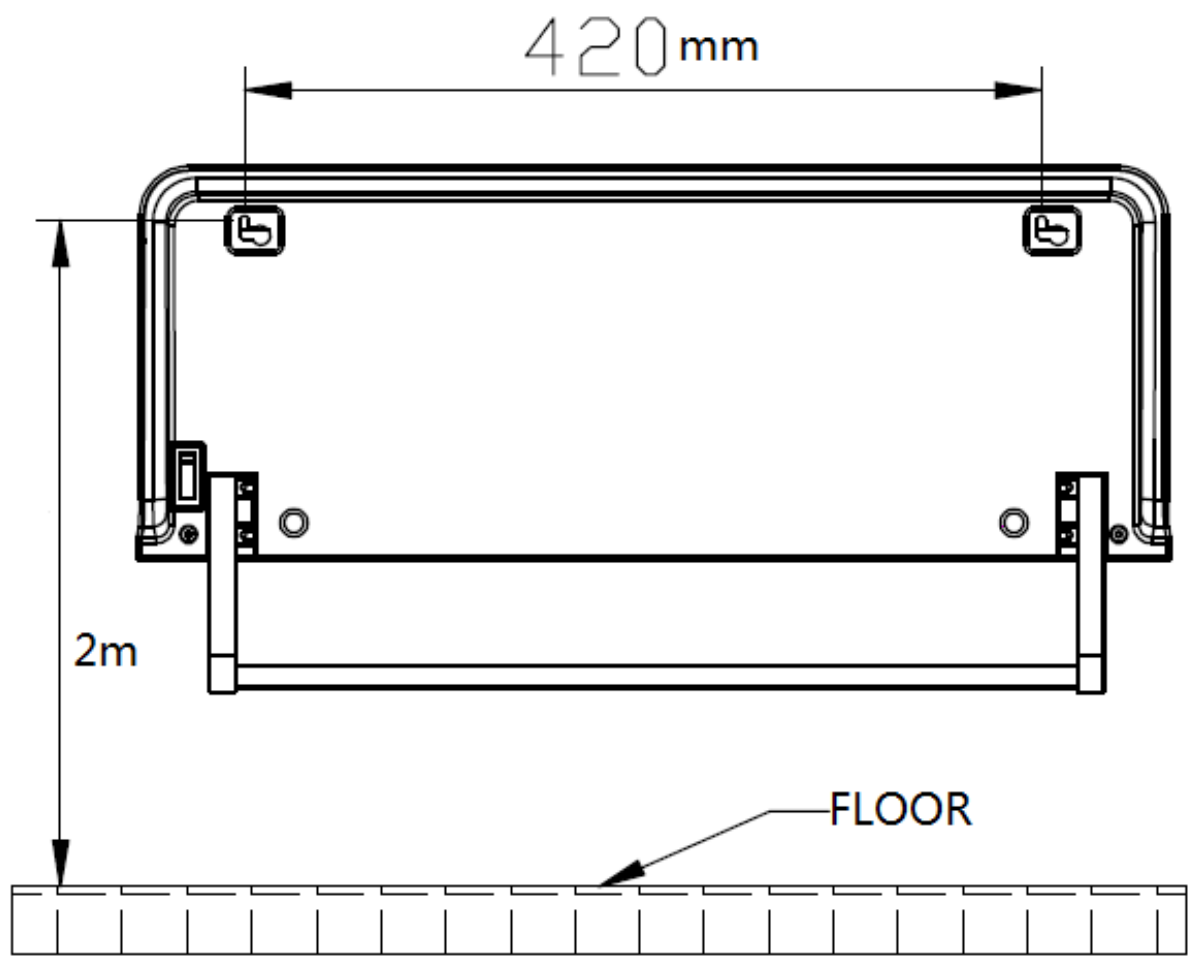
INSTALLING THE DEVICE

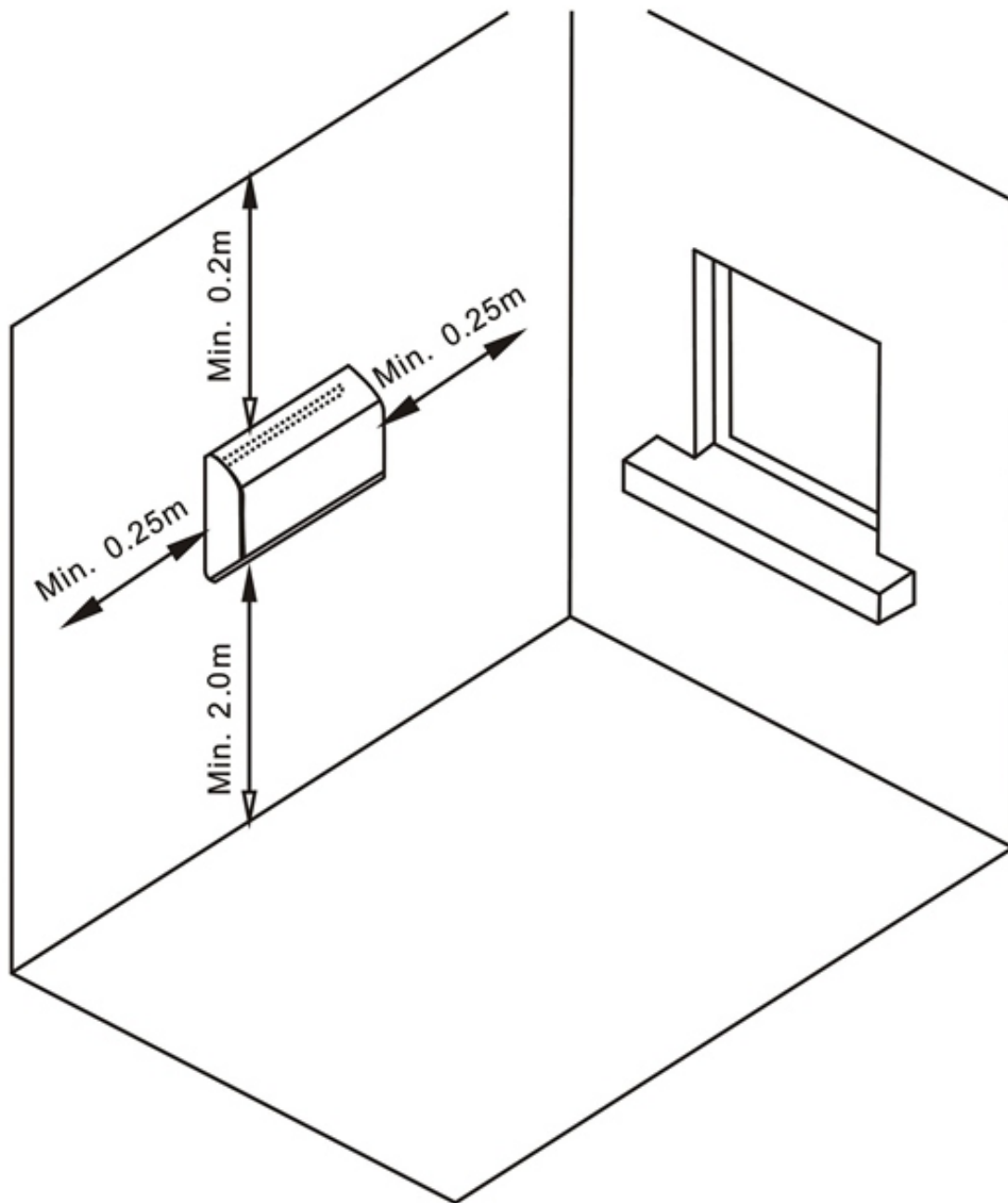
The heater shall be installed and used according to the safe standard.

To avoid all dangers, follow the safety instructions.

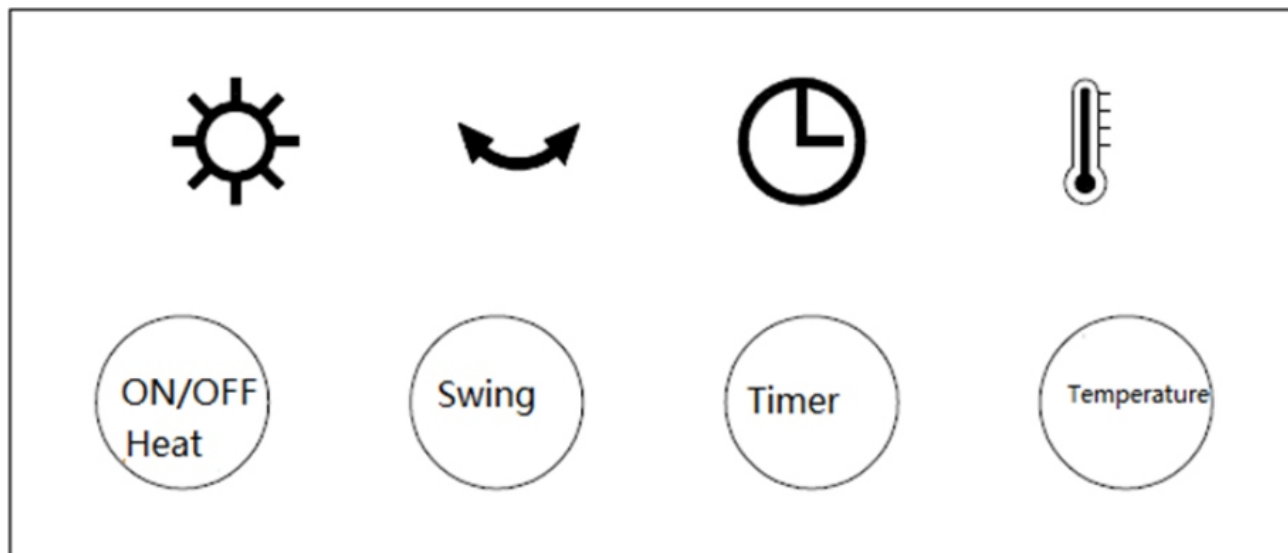
- The installation must be done by the service agent or similarly qualified persons in order to avoid a hazard.
- Important! Make sure that there are no electric cables or other installations (for example water pipes) near the drill holes. Make sure that the appliance is securely and vertically fitted to the wall.

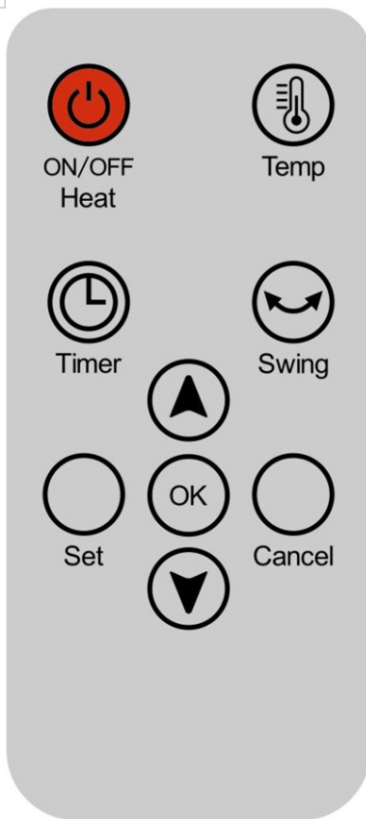
Get two holes on the wall 2 m above the floor and near the corner more 25 mm, be sure to make the diameter just as same as the expanding pipe. Fix two screws on the expanding pipe, keep the tips of the screws out for 5mm, and hang up the machine after the screws are fixed enough.





OPERATION





1. Connect to any 220-240V, 50Hz, AC source. Press the Power switch at back side, the heater standby, LED will display room temperature, then please use remote control or button on control panel to operate.

2. Press the “ON/OFF Heat” button on control panel of the heater for once or press the “ON/OFF” button on remote control, the indicator heat light will turn to blue, and blow the low heating wind.

Then, Press the “ON/OFF Heat” button on control panel of the heater for twice, or press the “Heat” button on remote control, the indicator heat light will turn to green, and blow the high heating wind.

Then, Press the “ON/OFF Heat” button on control panel of the heater for third time, or press the “ON/OFF” button on remote control, it will stop heating. After blow about 15 seconds, louver close. Product standby.

3. When product working, press the “Swing” button on the control panel or remote control for once, the indicator light of swing turn on, product swing for blowing. Press the button for twice, the indicator light of swing turn off, product stop swing.

4. When product working, press the “Timer ” on control panel or remote control, .the indicator light of timer turn on, LED will display : 00-01-02....11-12-00. “00” means cancel the timer, “01-12” means setting for 1 to 12 hours. After setting, the LED display will flash for about 3 seconds.

If cancel the timer, LED will display room temperature, and the indicator light of timer will be off. If set timer, LED will display room temperature, and the indicator light of timer will be on.

After timing reach, product stop heating. After blow about 15 seconds, louver close. Product standby. At the work of timing, Press “Timer” for once, it will show the rest time for off. Press “Timer” for more than once, it will set again for timing.

5. When product working, press the “Temperature ” on control panel or remote control, .the indicator light of temperature turn on, LED will display : 00-20-21....29-30-00. “00” means cancel the temperature, “21-30” means setting for 21 to 30 temperature. After setting, the LED display will flash for about 3 seconds.

If cancel the temperature, LED will display room temperature, and the indicator light of temperature will be off. If set temperature, LED will display room temperature, and the indicator light of temperature will be on.

After temperature reach, the product will stop heating and blow for 15 seconds. Other indicator light is still on. If set timer before, it still works. When room temperature is 2 more degree lower than setting temperature, product will start heating. At the work of temperature, press “Temperature” for once, it will show the setting temperature.

Press “Temperature” for more than once, it will set again for temperature.

6.If press ON/OFF key, didn't setting the working temperature, the machine will keeping heating



7.00H mean didn't setting the working time, so machine will not work



8. The temperature setting is 00, machine will keep working.



Weekly timer setting

1. After plugging in the power supply, turn on the power switch, the product buzzer call and show the environment temperature. The product is in standby mode.
2. Press the setting button to enter the Current actual time setting mode. press "add" and "reduce" to adjust time. Click "ok" key when the time is chosen in every time. Press the cancel key to return to the previous step, double-click the Cancel button to return to standby mode, or cancel the week timing.
3. After the confirmation of the actual time, the Sun (Sunday) is flashing on the top of the screen. Click the up and down keys to choose the actual days of today. After selecting the actual day of today, such as Mon (Monday), press the confirmation button. At this time Mon is often bright, press up and down key to set time of Monday opening time, after finished opening time, press up and down key to set closing time. After finished closing time, press up and down to set temperature you want in the Monday. The rest of the day is done according to this procedure until one week is complete. If you choose the working time at 00 and press the confirmation button, that is, choose not to work in this day of week.
4. When the week timer is set, the regular product working will not affect the timing of week time when week time is not working. If the time is open at the weekly time, but the product is still in regular working, the week time will be fail. During the week timer of product working, if any key on the remote control and product are pressed, week timer is also invalid on that day. The product is directly shut down and can only be reorganized or set up. After setting the week timer, the screen will be displayed according to the regular working mode. After regular working shutdown, restore the week timer standby time. Press the Cancel button two times, or turn off the power switch, or pull out the power cord, or power failure. You need to reset it.

Adaptive start control

When the product is in standby mode, or the product is not working when the week timer is set, if the product is induced to the environment temperature below 5 or 5 centigrade, the product automatically open, until the environment temperature rises to 10 degrees C, the product is automatically switched off, This function is closed if the product is working regularly or working in week timer.

Remote control

1. All the functions performed with the remote control work identically to the panel control.
2. When don't use the remote control, remove the batteries before storage.

OVERHEAT PROTECTION

The heater is protected with an overheat protector that switches off the heater automatically in case of overheat. e.g. due to the total or partial obstruction of the grids. In this case, unplug the appliance, wait about 30 minutes for it to cool and remove the object which is obstructing the grids. Then switch it back on as described above.

TECHNICAL SPECIFICATIONS:

Model	R-6065
Rated Voltage	220-240V~
Rated Frequency	50Hz/60Hz
Rated Power	2000W
Protective Class	II

CLEANING AND MAINTENANCE

1. If you don't use the heater for a long time, please wipe the surface and put it into the box. Lay the carton on the ventilated and dry place. Humidity and force press was prohibited.
2. Wait for the machine being cool and pull out the plug, then clean it. Wipe it clean with wet washcloth or cleaner. Never directly wash with water; do not drop the water into the machine. Never clean it with acids, chemical thinner, gasoline, benzene etc.
3. Before use it again, please check it and make sure the outlet ventilation have no any sundries.

IMPORTANT INFORMATION FOR CORRECT DISPOSAL OF THE PRODUCT IN ACCORDANCE WITH EC DIRECTIVE 2002/96/EC.

At the end of its working life, the product must not be disposed of as urban waste. It must be taken to a special local authority differentiated waste collection center or to a dealer providing this service. Disposing of a household appliance separately avoids possible negative consequences for the environment and health, deriving from inappropriate disposal and enables the constituent materials to be recovered to obtain significant savings in energy and resources. As a reminder of the need to dispose of household appliances separately, the product is marked with a crossed-out wheeled dustbin.



INSTRUCTIONS IMPORTANTES – MANUEL D'UTILISATION
LISEZ ET CONSERVEZ CES INSTRUCTIONS
LISEZ ATTENTIVEMENT AVANT D'ASSEMBLER, D'INSTALLER, D'UTILISER
OU D'ENTREtenir LES PRODUITS DÉCRITS. PROTÉGEZ-VOUS ET
PROTÉGEZ LES AUTRES EN RESPECTANT TOUTES LES CONSIGNES DE
SÉCURITÉ. LE NON-RESPECT DES INSTRUCTIONS PEUT ENTRAÎNER DES
BLESSURES CORPORELLES ET/OU DES DOMMAGES MATÉRIELS !
CONSERVEZ LES INSTRUCTIONS POUR RÉFÉRENCE ULTÉRIEURES.

CONSIGNES DE SÉCURITÉ GÉNÉRALES:

1. L'appareil de chauffage doit être accroché au mur et faire la sortie de vent vers le bas ou être placé sur un appareil plat. Vous ne devez pas le placer de manière précipitée ou inclinée.
2. Utilisez uniquement la tension spécifiée sur la plaque signalétique de l'appareil de chauffage.
3. L'appareil de chauffage ne doit pas être situé immédiatement sous une prise de courant.
4. Ne couvrez pas ou ne limitez pas le flux d'air vers les grilles d'admission ou d'échappement de quelque manière que ce soit, car l'appareil surchaufferait et deviendrait un risque d'incendie.
5. Ne bloquez pas les entrées ou les sorties d'air de quelque manière que ce soit. Vérifiez les ouvertures de temps en temps s'il y a de la poussière accumulée.
6. Ne placez pas l'appareil à proximité d'une source de chaleur.
7. Ne faites pas fonctionner l'appareil dans des endroits où de l'essence, de la peinture ou d'autres liquides inflammables sont utilisés ou stockés.
8. N'utilisez pas l'appareil pour sécher les vêtements.
9. N'insérez pas ou ne laissez pas de corps étrangers pénétrer dans une ouverture de ventilation ou d'évacuation, car cela pourrait provoquer un choc électrique, un incendie ou endommager l'appareil.
10. N'utilisez aucun appareil avec un cordon endommagé ou après que l'appareil fonctionne mal ou soit tombé ou endommagé de quelque manière que ce soit. Retournez l'appareil à un électricien qualifié pour examen, réglage électrique ou mécanique, entretien ou réparation.
11. Cet appareil est destiné à un usage domestique uniquement et non à un usage commercial ou industriel.
12. Utilisez cet appareil uniquement comme décrit dans ce manuel. Toute autre utilisation n'est pas recommandée par le fabricant et peut provoquer un incendie, un choc électrique ou des blessures.
13. La cause la plus fréquente de surchauffe est les dépôts de poussière ou de peluches dans l'appareil. Assurez-vous que ces dépôts soient éliminés régulièrement en débranchant l'appareil et en aspirant l'évent d'air.
14. N'utilisez pas de produits de nettoyage abrasifs sur cet appareil. Nettoyez-le uniquement avec un chiffon humide (chaud et mouillé) et rincez à l'eau chaude savonneuse. Toujours débrancher l'appareil avant le nettoyage.
15. L'appareil s'échauffe légèrement lorsqu'il est utilisé. Pour éviter les brûlures, ne laissez pas la peau nue toucher les surfaces chaudes.
16. L'utilisation d'une rallonge avec cet appareil n'est pas recommandée.
17. Ne laissez pas le cordon entrer en contact avec des surfaces chauffées pendant le fonctionnement.
18. Si le cordon d'alimentation est endommagé, il doit être remplacé par le fabricant, son agent de service ou des personnes qualifiées de manière similaire afin d'éviter tout danger.
19. Si l'appareil de chauffage a besoin d'être réparé, veuillez demander une personne spéciale ou notre service d'entretien agréé par notre société.
20. N'utilisez pas cet appareil à l'extérieur ou sur des surfaces mouillées.

21. L'appareil doit être installé de manière à ce que les interrupteurs et autres commandes ne puissent pas être touchés par une personne en l'absence de surveillance (Cet appareil est sans prise, ne touchez pas directement le cordon).
22. L'appareil de chauffage doit être installé à au moins 0,2 m sous le plafond.
23. L'appareil de chauffage ne doit pas être installé à proximité de rideaux et d'autres matériaux combustibles.
24. Si le moteur ne fonctionne pas correctement, veuillez l'arrêter immédiatement, puis le faire vérifier par les personnes qualifiées.
25. Lors de l'utilisation de l'appareil de chauffage, veuillez ne pas ouvrir la porte ou la fenêtre continuellement, sinon cela influencera l'effet de chauffage.
26. Si vous voulez éteindre le chauffage, appuyez sur l'interrupteur marche / arrêt pour éteindre, puis l'appareil de chauffage fera le ventilateur en fonctionnement 30 secondes jusqu'à ce qu'il souffle du vent frais, puis l'appareil de chauffage s'arrête, mais ne tirez pas le cordon d'alimentation directement, il entraînerait un risque.
27. N'utilisez pas cet appareil de chauffage près d'une baignoire, d'une douche ou d'une piscine.
28. La minuterie règle le temps de travail du chauffage.
29. La batterie doit être retirée de l'appareil avant d'être mise au rebut.
30. La batterie doit être éliminée en toute sécurité.
31. L'appareil de chauffage doit être installé à au moins 2 m au-dessus du sol.
32. Cet appareil peut être utilisé par des enfants âgés de 8 ans et plus et des personnes ayant des capacités physiques, sensorielles ou mentales réduites ou un manque d'expérience et de connaissances à condition qu'ils aient reçu une surveillance ou des instructions concernant l'utilisation de l'appareil en toute sécurité et qu'ils comprennent les risques encourus. Les enfants ne doivent pas jouer avec l'appareil. Le nettoyage et l'entretien par l'utilisateur ne doivent pas être effectués par des enfants sans surveillance.
33. Les enfants de moins de 3 ans doivent être tenus à l'écart à moins d'être surveillés en permanence. Les enfants âgés de 3 ans et de moins de 8 ans ne doivent allumer/éteindre l'appareil que s'il a été placé ou installé dans sa position de fonctionnement normale prévue et qu'ils ont reçu une surveillance ou des instructions concernant l'utilisation de l'appareil de manière sûre et qu'ils comprennent les dangers encourus. Les enfants âgés de 3 ans et de moins de 8 ans ne doivent pas brancher, régler et nettoyer l'appareil ou effectuer des opérations d'entretien.

ATTENTION – Certaines parties de ce produit peuvent devenir très chaudes et causer des brûlures. Une attention particulière doit être accordée aux endroits où des enfants et des personnes vulnérables sont présents.

INSTALLATION DE L'APPAREIL

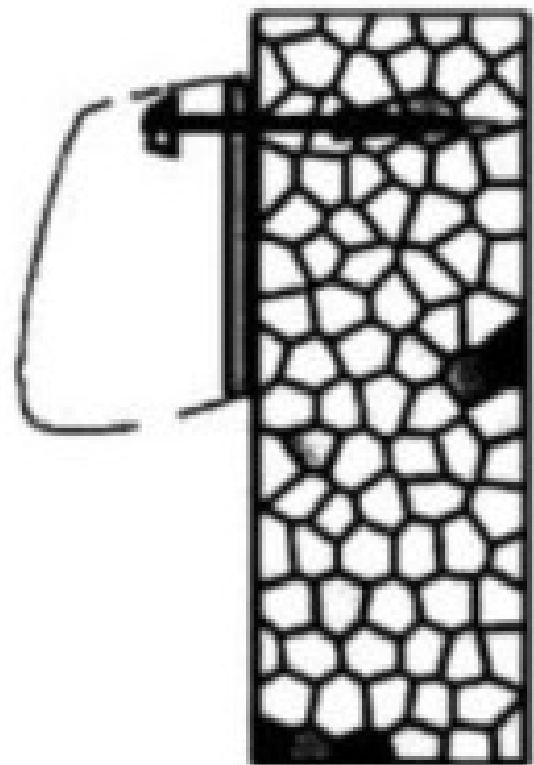
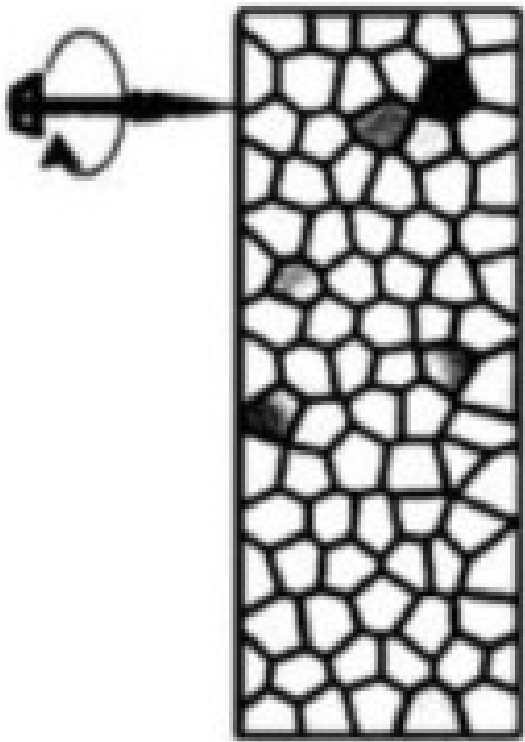
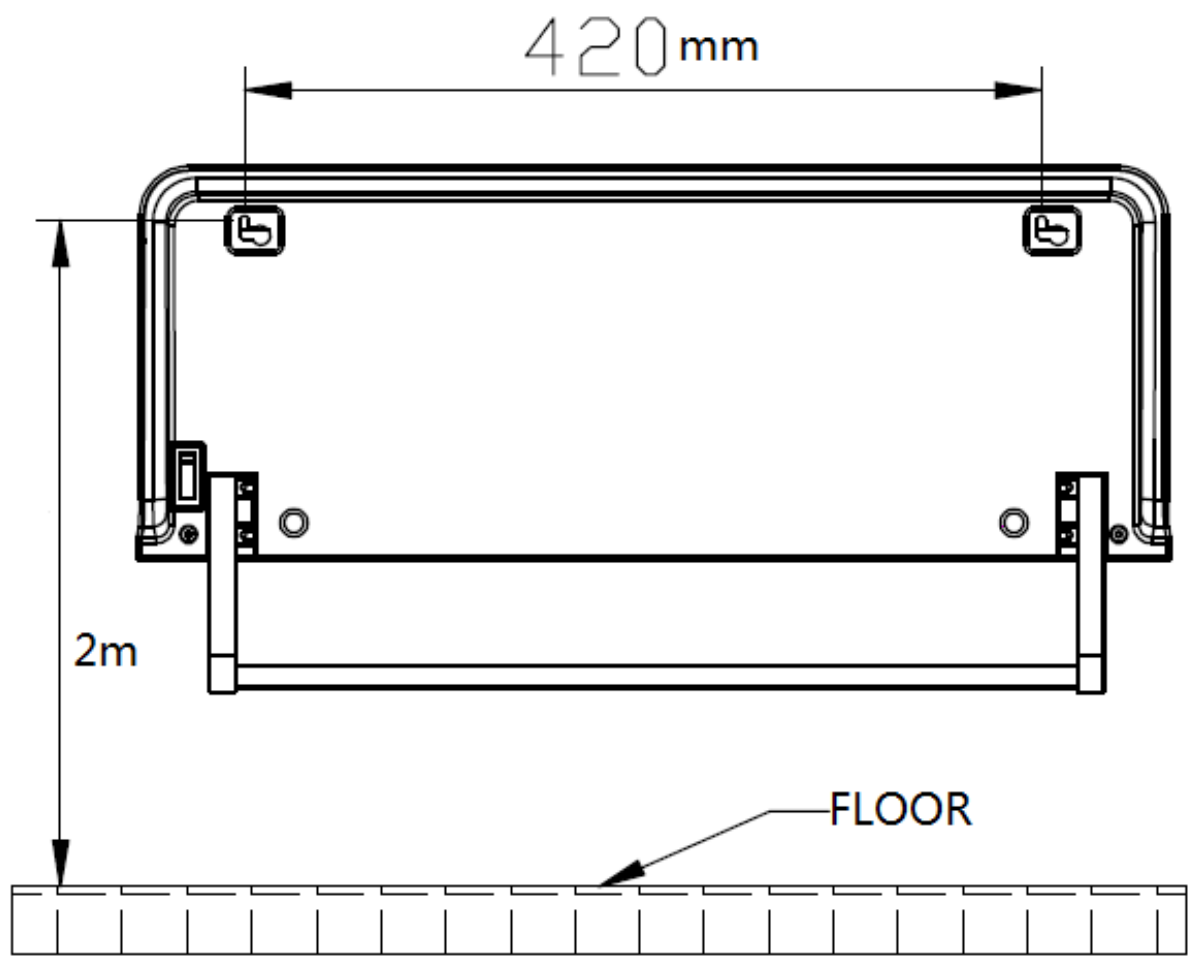
L'appareil de chauffage doit être installé et utilisé conformément à la norme de sécurité.

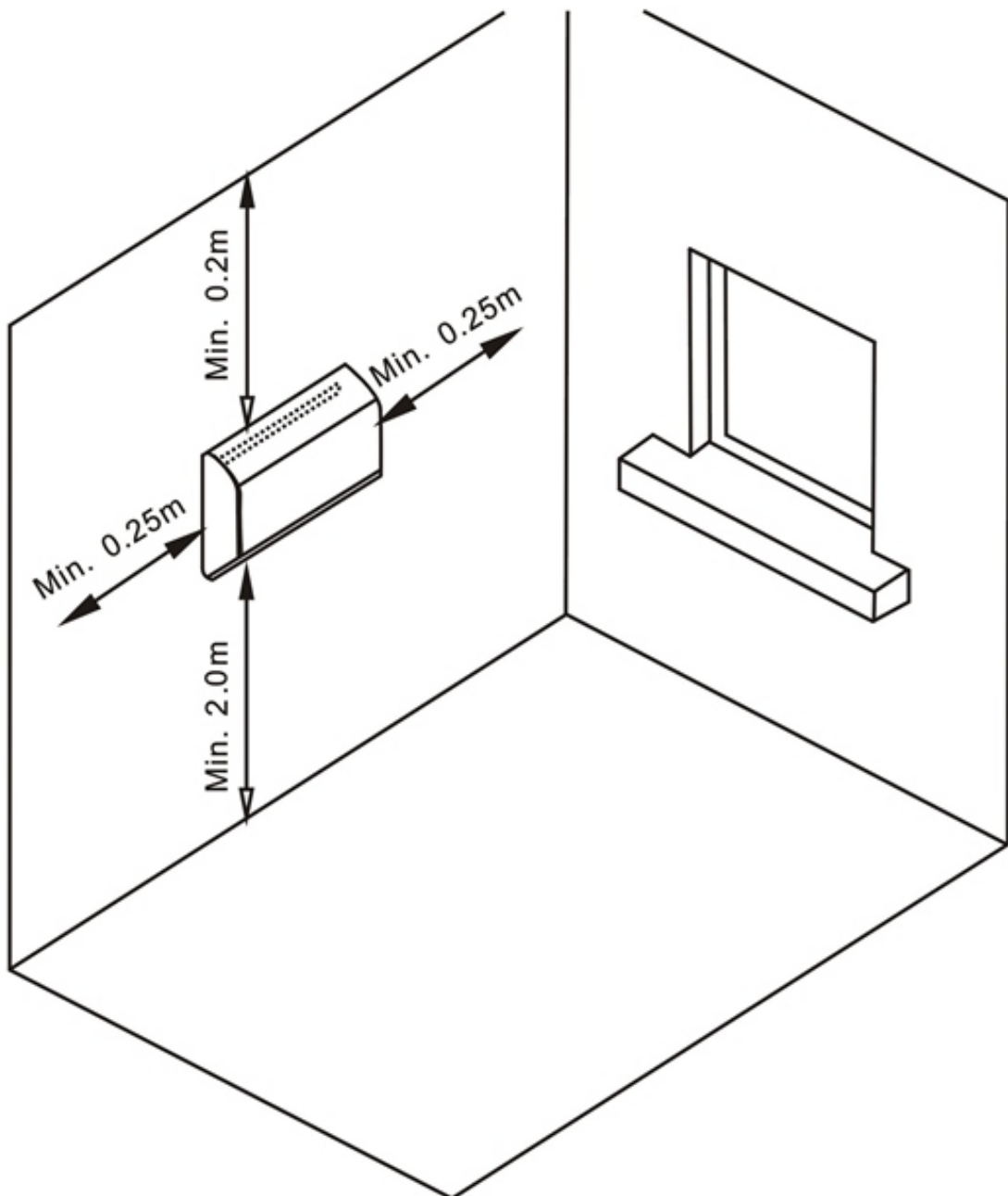
Pour éviter tout danger, suivez les consignes de sécurité.

- L'installation doit être effectuée par l'agent de service ou des personnes ayant des qualifications similaires afin d'éviter tout danger.





- **Important !** Assurez-vous qu'il n'y a pas de câbles électriques ou d'autres installations (par exemple des conduites d'eau) près des trous de forage. Assurez-vous que l'appareil est solidement fixé au mur à la verticale.

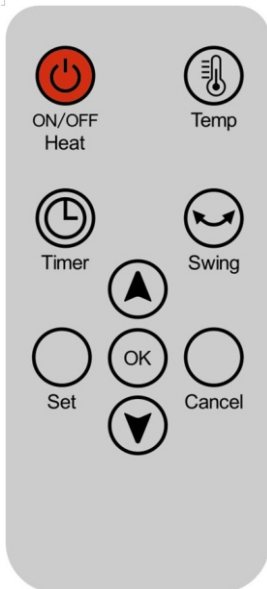
Mettez deux trous sur le mur à 2 m au-dessus du sol et près du coin plus de 25 mm, veuillez à rendre le diamètre identique à celui du tuyau d'expansion. Fixez deux vis sur le tuyau d'expansion, maintenez les extrémités des vis à l'extérieur de 5 mm, et raccrochez l'appareil une fois que les vis sont bien fixées.





OPÉRATION

			
ON/OFF Heat	Swing	Timer	Temperature



1. Connectez-vous à n'importe quelle source 220-240V, 50Hz, AC. Appuyez sur l'interrupteur d'alimentation à l'arrière, l'appareil de chauffage se met en veille, la LED affichera la température ambiante, puis veuillez utiliser la télécommande ou le bouton sur le panneau de commande pour le faire fonctionner.

2. Appuyez une fois sur le bouton « ON / OFF Heat » sur le panneau de commande de l'appareil de chauffage ou appuyez sur le bouton « ON / OFF » de la télécommande, le voyant de chauffage deviendra bleu et soufflera le vent de chauffage bas.

Ensuite, appuyez deux fois sur le bouton « ON / OFF Heat » sur le panneau de commande de l'appareil de chauffage ou appuyez sur le bouton « Heat » de la télécommande, le voyant de chauffage passera au vert et le vent de chauffage élevé soufflera.

Ensuite, appuyez sur le bouton « ON / OFF Heat » sur le panneau de commande de l'appareil de chauffage pour la troisième fois, ou appuyez sur le bouton « ON / OFF » de la télécommande, l'appareil s'arrête. Après avoir soufflé environ 15 secondes, les persiennes se ferment. L'appareil est en veille.

3. Lorsque l'appareil fonctionne, appuyez une fois sur le bouton « Swing » sur le panneau de commande ou la télécommande, le voyant d'oscillation s'allume, l'appareil oscille pour souffler. Appuyez deux fois sur le bouton, le voyant d'oscillation s'éteint, l'appareil s'arrête d'osciller.

4. Lorsque l'appareil fonctionne, appuyez sur la « Minuterie » sur le panneau de commande ou la télécommande, le voyant de minuterie s'allume, la LED s'affichera : 00-01-02... 11-12-00. « 00 » signifie l'annulation de la minuterie, « 01-12 » signifie le réglage pendant 1 à 12 heures. Après le réglage, l'écran LED clignotera pendant environ 3 secondes.

Si vous annulez la minuterie, la LED affichera la température ambiante, et le voyant de minuterie sera éteint. Si la minuterie est réglée, la LED affichera la température ambiante et le voyant de minuterie s'allume.

Une fois le temps atteint, l'appareil cesse de chauffer. Après avoir soufflé environ 15 secondes, les volets se ferment. L'appareil est en veille. À la fin de la minuterie, appuyez une fois sur « Timer », le temps de repos pour l'arrêt s'affiche. Appuyez plusieurs fois sur la touche « Timer », le temps de repos pour l'arrêt s'affiche.

5. Lorsque l'appareil fonctionne, appuyez sur le « Température » sur le panneau de commande ou la télécommande. Le voyant de température s'allume, la LED s'affichera : 00-20-21....29-30-00. «00» signifie l'annulation de la température, « 21-30 » signifie le réglage de la température de 21 à 30. Après le réglage, l'écran LED clignotera pendant environ 3 secondes.

Si vous annulez la température, la LED affichera la température ambiante et le voyant de température sera éteint. Si la température est réglée, la LED affichera la température ambiante et le voyant de température sera allumé.

Une fois la température atteinte, l'appareil cessera de chauffer et soufflera pendant 15 secondes. Un autre voyant est toujours allumé. Si la minuterie est réglée auparavant, elle fonctionne toujours. Lorsque la température ambiante est inférieure de 2 degrés de plus à la température de réglage, l'appareil commence à chauffer. Au travail de la température, appuyez sur « Temperature » pour une fois, il affichera la température de réglage.

Appuyez sur « Temperature » plus d'une fois pour régler la température à nouveau.

6. Si vous appuyez sur la touche ON / OFF, si vous n'avez pas réglé la température de fonctionnement, l'appareil continuera à chauffer



7. 00H signifie que le temps de travail n'a pas réglé, l'appareil ne fonctionnera pas



8. Le réglage de la température est de 00, l'appareil continuera à fonctionner.



Réglage de la minuterie hebdomadaire

1. Après avoir branché l'alimentation, allumez l'interrupteur d'alimentation, l'appareil émet un signal sonore et affiche la température ambiante. L'appareil est en mode veille.
2. Appuyez sur le bouton de réglage pour entrer dans le mode de réglage de l'heure actuelle. Appuyez sur « add » et « reduce » pour ajuster le temps. Cliquez sur la touche « ok » lorsque l'heure est choisie dans tous les cas. Appuyez sur la touche d'annulation pour revenir à l'étape précédente, double-cliquez sur la touche Annuler pour revenir au mode veille, ou annulez le chronométrage de la semaine.
3. Après la confirmation de l'heure réelle, le Soleil (dimanche) clignote en haut de l'écran. Cliquez sur les touches haut et bas pour choisir les jours réels d'aujourd'hui. Après avoir sélectionné le jour réel d'aujourd'hui, tel que Lun (lundi), appuyez sur le bouton de confirmation. À ce moment-là, le lundi est souvent lumineux, appuyez sur la touche haut et bas pour définir l'heure d'ouverture du lundi, après l'heure d'ouverture terminée, appuyez sur la touche haut et bas pour définir l'heure de fermeture. Une fois l'heure de fermeture terminée, appuyez de haut en bas pour régler la température que vous voulez le lundi. Le reste de la journée est effectué selon cette procédure jusqu'à ce qu'une semaine soit terminée. Si vous choisissez le temps de travail à 00 heures et appuyez sur le bouton de confirmation, c'est-à-dire choisissez de ne pas travailler en ce jour de la semaine.
4. Lorsque la minuterie de la semaine est réglée, le fonctionnement normal de l'appareil n'affectera pas le moment de la semaine lorsque l'heure de la semaine ne fonctionne pas. Si l'heure est ouverte à l'heure hebdomadaire, mais que l'appareil fonctionne toujours normalement, l'heure de la semaine échouera. Pendant le fonctionnement de la minuterie de semaine de l'appareil, si une touche de la télécommande et du produit est enfoncée, la minuterie de la semaine n'est pas non plus valide ce jour-là. L'appareil est directement arrêté et ne peut être réorganisé ou configuré. Après avoir réglé la minuterie hebdomadaire, l'écran s'affichera selon le mode de fonctionnement normal. Après un arrêt de travail régulier, restaurez l'heure de veille de la minuterie hebdomadaire. Appuyez deux fois sur le bouton Annuler, éteignez l'interrupteur d'alimentation, retirez le cordon d'alimentation, ou en panne de courant, vous devez le réinitialiser.

Contrôle de démarrage adaptatif

Lorsque l'appareil est en mode veille, ou que l'appareil ne fonctionne pas lorsque la minuterie hebdomadaire est réglée, si l'appareil est induit à la température ambiante inférieure à 5 ou 5 centigrades, l'appareil s'ouvre automatiquement, jusqu'à ce que la température ambiante atteigne 10 degrés C, l'appareil est automatiquement éteint Cette fonction n'est pas disponible si l'appareil fonctionne régulièrement ou si la minuterie hebdomadaire est activée.

Télécommande

1. Toutes les fonctions exécutées avec la télécommande fonctionnent de manière identique à la commande du panneau.
2. Lorsque vous n'utilisez pas la télécommande, retirez les piles avant de la ranger.

PROTECTION CONTRE LA SURCHAUFFE

L'appareil de chauffage est protégé par un protecteur de surchauffe qui éteint automatiquement l'appareil de chauffage en cas de surchauffe. Par exemple en raison de l'obstruction totale ou partielle des grilles. Dans ce cas, débranchez l'appareil, attendez environ 30 minutes pour qu'il refroidisse et retirez l'objet qui obstrue les grilles. Ensuite, remettez-le en marche comme décrit ci-dessus.

SPÉCIFICATIONS TECHNIQUES :

Modèle	R-6065
Tension nominale	220-240V ~
Fréquence nominale	50 Hz/60 Hz
Puissance nominale	2000W
Classe de protection	II

NETTOYAGE ET ENTRETIEN

1. Si vous n'utilisez pas le chauffage pendant une longue période, veuillez essuyer la surface et la mettre dans le carton. Posez le carton sur l'endroit ventilé et sec. L'humidité et la presse à force étaient interdites.
2. Attendez que la machine soit fraîche et retirez la prise, puis nettoyez-la. Essuyez-le avec un gant de toilette humide ou un nettoyant. Ne jamais laver directement à l'eau; ne laissez pas tomber l'eau dans la machine. Ne le nettoyez jamais avec des acides, des diluants chimiques, de l'essence, du benzène, etc.
3. Avant de l'utiliser à nouveau, veuillez le vérifier et vous assurer que la ventilation de la sortie n'a pas d'articles divers. Avant de l'utiliser à nouveau, vérifiez qu'il n'y a pas de débris dans la ventilation de la sortie.

INFORMATIONS IMPORTANTES POUR L'ÉLIMINATION CORRECTE DU PRODUIT CONFORMÉMENT À LA DIRECTIVE CE 2002/96/CE.



À la fin de sa durée de vie, l'appareil ne doit pas être éliminé en tant que déchet urbain. Il doit être apporté à un centre de collecte des déchets différencié par une autorité locale spéciale ou à un revendeur de service. L'élimination séparée d'un appareil électroménager évite d'éventuelles conséquences négatives pour l'environnement et la santé, en dérivant d'une élimination inappropriée et permet de récupérer les matériaux constitutifs pour obtenir des économies significatives d'énergie et de ressources. Pour rappeler la nécessité d'éliminer les appareils ménagers séparément, l'appareil est marqué d'une poubelle barrée.

**INSTRUCCIONES IMPORTANTES – MANUAL DE FUNCIONAMIENTO
LEA Y GUARDE ESTAS INSTRUCCIONES ADECUADAMENTE.
LEA CUIDADOSAMENTE TODA LA INFORMACIÓN DE SEGURIDAD ANTES DE
INTENTAR MONTAR, INSTALAR, OPERAR O MANTENER LOS PRODUCTOS
DESCRITOS POR MOTIVO DE PROTEGERSE A USTED Y A LOS DEMÁS. ¡EL
INCUMPLIMIENTO DE LAS INSTRUCCIONES PUEDE PROVOCAR LESIONES
PERSONALES Y/O DAÑOS A LA PROPIEDAD!
GUARDE LAS INSTRUCCIONES BIEN PARA LAS REFERENCIAS FUTURAS.**

ADVERTENCIA DE SEGURIDAD GENERAL:

1. El calefactor debe ser colgado en la pared con la salida de aire hacia abajo, o colocado en un aparato plano. No debe colocarlo precipitadamente o borrachamente.
2. El voltaje usado debe ser igual que el voltaje especificado en la placa de especificaciones del calefactor.
3. El calefactor no debe ser colocado directamente debajo de una toma de corriente.
4. Nunca cubra ni restrinja el flujo de aire desde las rejillas de entrada o salida de ninguna manera, de lo contrario, el calefactor se sobrecalienta y puede provocar un riesgo de incendio.
5. No bloquee las entradas o salidas de aire de ninguna manera. Inspeccione las aberturas de vez en cuando para ver si se acumula polvo.
6. Nunca coloque el calefactor cerca de fuentes de calor radiante.
7. Nunca opere el calefactor en áreas donde se utiliza o almacena gasolina, pintura u otros líquidos inflamables.
8. Nunca utilice el calefactor para secar ropa.
9. No inserte ni permita que objetos extraños entren en las aberturas de ventilación o escape, de lo contrario, puede provocar descargas eléctricas, incendios o daños al calefactor.
10. No opere ningún aparato con un cable dañado o después de que el aparato funcione mal o se haya caído o dañado de alguna manera. Devuélvalo a un profesional calificado para que lo inspeccione, ajuste de manera eléctrica o mecánica, realice servicio o reparación.
11. Este calefactor está diseñado exclusivamente para uso doméstico y no está diseñado para uso comercial o industrial.
12. Utilice el calefactor exclusivamente como lo que se describe en este manual. El fabricante no recomienda ningún su uso para ningún otro propósito, de lo contrario, puede provocar incendios, descargas eléctricas o lesiones.
13. La causa más común de sobrecalentamiento es que se acumulan polvo o pelusas en el calefactor. Asegúrese de eliminar polvo o pelusas regularmente desenchufando el calefactor y aspirando la salida de aire.
14. No utilice productos de limpieza abrasivos para este calefactor. Utilice un paño humedecido (húmedo caliente) con agua jabonosa caliente para limpiarlo exclusivamente. Siempre desconecte el calefactor de la red eléctrica antes de realizar la limpieza.
15. El calefactor se calienta ligeramente cuando está funcionando. Por motivo de evitar quemaduras, nunca permita que la piel desnuda toque las superficies calientes.
16. No se recomienda el uso de un cable de extensión para este calefactor.
17. No permita que el cable entre en contacto con las superficies calientes cuando el calefactor está en funcionamiento.
18. Si el cable de alimentación está dañado de alguna manera, debe ser reemplazado por el fabricante, su agente de servicio o un profesional calificado de manera similar por motivo de evitar riesgos.

19. Si es necesario reparar el calefactor, consulte con un profesional especial o el departamento de mantenimiento autorizado de nuestra empresa.
20. No utilice el calefactor al aire libre o sobre las superficies mojadas.
21. El calefactor debe ser instalado de modo que los interruptores y otros controles no puedan ser tocados por una persona sin supervisión (este calefactor no tiene un enchufe, nunca toque el cable directamente).
22. El calefactor debe ser instalado al menos 0,2 m por debajo del techo.
23. El calefactor no debe ser instalado cerca de las cortinas y otros materiales combustibles.
24. Si el motor no funciona de manera correcta, deténgalo de inmediato y luego pida a un personal calificado para inspeccionarlo.
25. Al utilizar el calefactor, no abra las puertas o las ventanas continuamente, de lo contrario, afectará el efecto de calentamiento.
26. Si quiere apagar el calefactor, presione el interruptor de encendido/apagado para apagarlo, luego el calefactor mantendrá el ventilador funcionando durante 30 segundos hasta que salga el aire frío, luego el calefactor dejará de funcionar, pero no tire del cable de alimentación directamente para desconectarlo, lo que existe el riesgo.
27. No utilice el calefactor cerca de bañeras, duchas o piscinas.
28. El temporizador establece el tiempo de funcionamiento del calefactor.
29. La batería debe ser retirada del calefactor antes de desecharlo.
30. La batería debe ser desechada de manera segura.
31. El calefactor debe ser instalado al menos 2 m por encima del piso.
32. Este calefactor puede ser utilizado por los niños mayores de los 8 años y por las personas con capacidades físicas, sensoriales o mentales reducidas o falta de experiencia y conocimiento si han recibido supervisión o instrucciones sobre el uso correcto del calefactor de manera segura y comprenden los peligros involucrados. Los niños no deben jugar con el calefactor. La limpieza y el mantenimiento del usuario no deben ser realizados por los niños sin supervisión.
33. Los niños menores de 3 años deben mantenerse alejados del calefactor a menos que estén bajo supervisión continua. Los niños mayores de 3 años y menores de 8 años sólo pueden encender/apagar el calefactor que se haya colocado o instalado en su posición de funcionamiento normal prevista y se les haya dado supervisión o instrucciones sobre el uso correcto del calefactor de manera segura y entender los peligros involucrados. Los niños mayores de 3 años y menores de 8 años no deben enchufar, ajustar ni limpiar el calefactor, ni realizar el mantenimiento a cargo del usuario.

PRECAUCIÓN- Algunas partes de este calefactor pueden calentarse mucho y resultar en quemaduras. Preste especial atención cuando hay niños y personas vulnerables presentes.

INSTALACIÓN DEL DISPOSITIVO

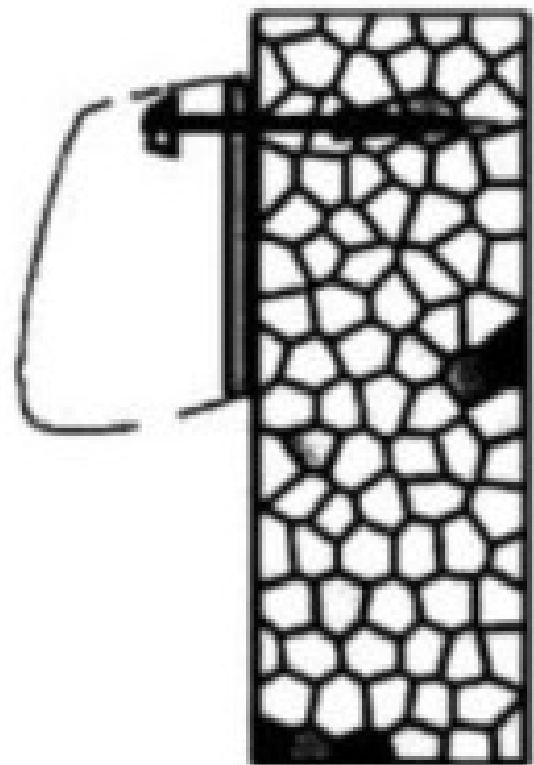
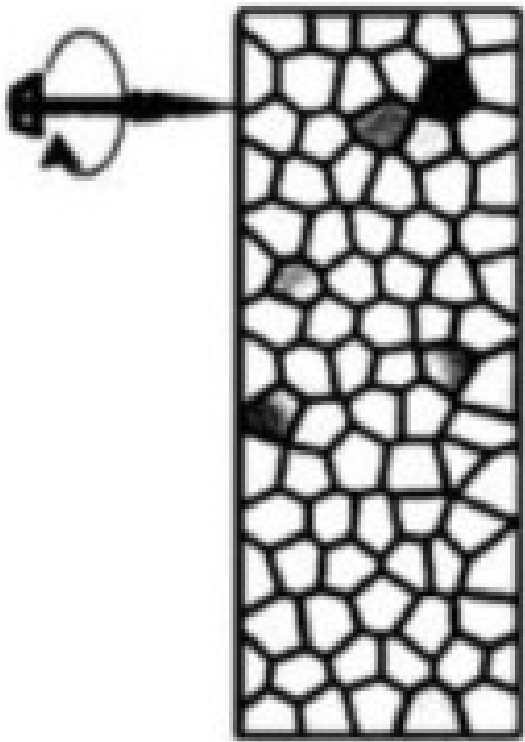
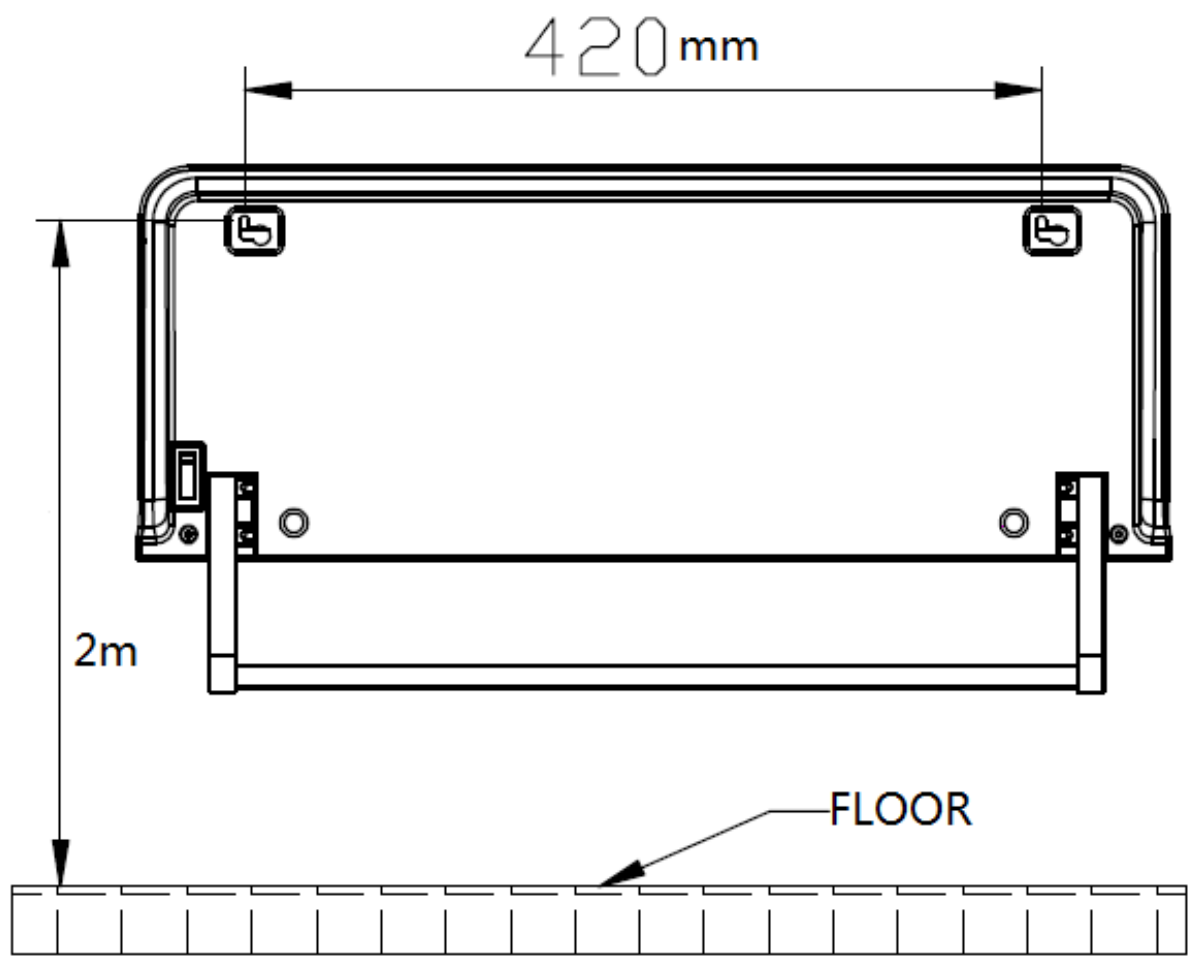
El calefactor debe ser instalado y utilizado de acuerdo con el estándar de seguridad.

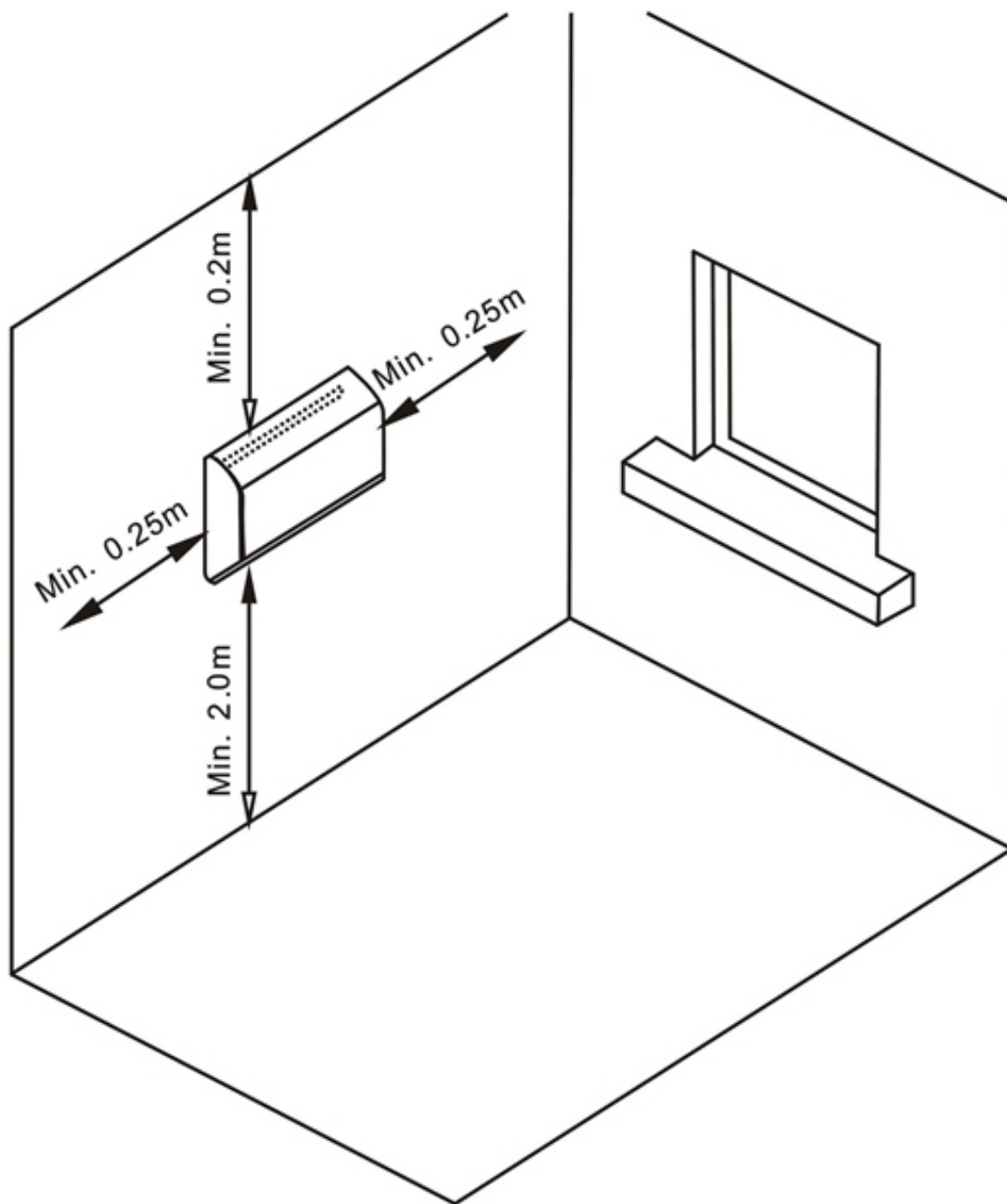
Por motivo de evitar todos los peligros, siga las instrucciones de seguridad.

- La instalación debe ser realizada por el agente de servicio o un profesional igualmente calificado con el fin de evitar un peligro.

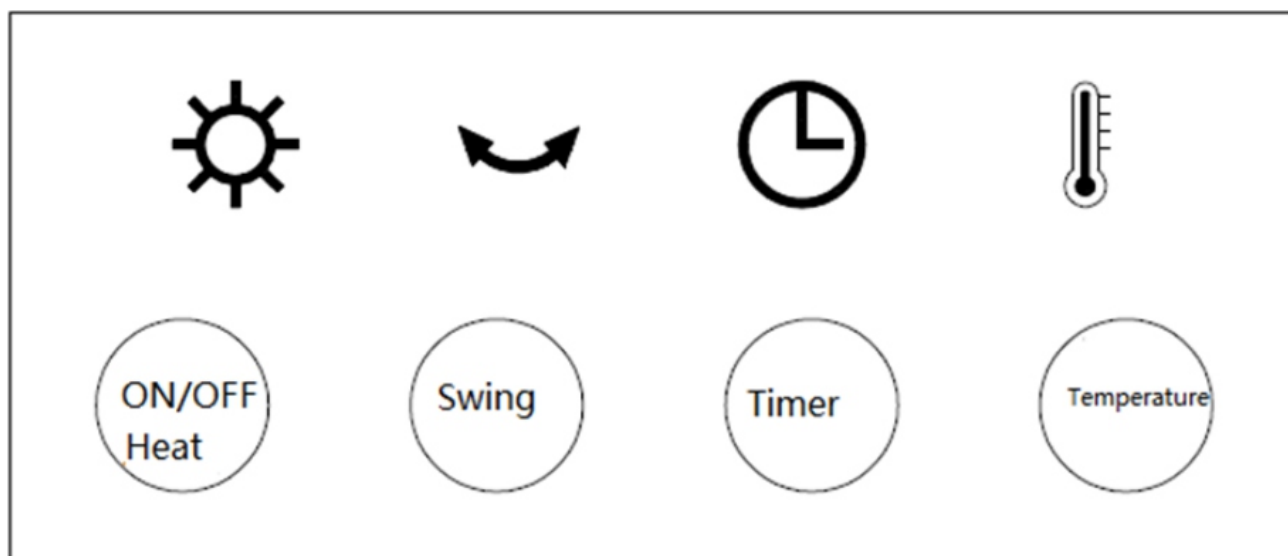
- **¡Importante!** Asegúrese de que no haya cables eléctricos u otras instalaciones (por ejemplo, tuberías de agua) cerca de los agujeros perforados. Asegúrese de que el calefactor esté fijado de manera firme y vertical a la pared.

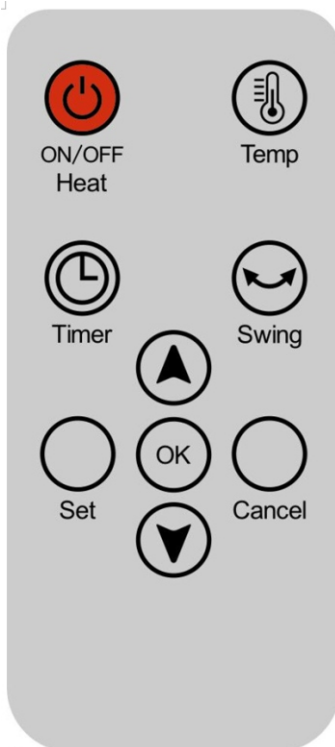
Perfore dos agujeros en la pared a 2 m del suelo y 25 mm cerca de la esquina, asegurándose de que el diámetro de los agujeros sea el mismo que el de los tubos de expansión. Fije dos tornillos en los tubos de expansión, deje 5 mm en las puntas de los tornillos, y cuelgue el calefactor después de fijar los tornillos bien.





OPERACIÓN





1. Conecte el calefactor a cualquier fuente de alimentación de CA de 220-240 V, 50 Hz. Presione el interruptor de encendido que está ubicado en la parte trasera, el calefactor estará en espera, el LED mostrará la temperatura ambiente, luego utilice el control remoto o presione los botones en el panel de control para operar el calefactor.

2. Presione el botón "ON/OFF Heat (ENCENDIDO/APAGADO Calentamiento)" en el panel de control del calefactor por una vez o presione el botón "ON/OFF (ENCENDIDO/APAGADO)" en el control remoto, la luz indicadora de calor se volverá azul y el calefactor soplará el viento de calentamiento bajo. Luego, presione el botón "ON/OFF Heat (ENCENDIDO/APAGADO Calentamiento)" en el panel de control del calefactor dos veces, o presione el botón "Heat (Calor)" en el control remoto, la luz indicadora de calor se volverá verde y el calefactor soplará el viento de calentamiento alto.

Luego, presione el botón "ON/OFF Heat (ENCENDIDO/APAGADO Calentamiento)" en el panel de control del calefactor por tercera vez, o presione el botón "ON/OFF (ENCENDIDO/APAGADO)" en el control remoto, el calefactor dejará de funcionar. Después de que el calefactor sople durante unos 15 segundos, la persiana del calefactor se cierra. El calefactor entrará en modo de espera.

3. Cuando el calefactor esté funcionando, presione el botón "Swing (Oscilación)" en el panel de control o el control remoto por una vez, la luz indicadora de la función de oscilación se encenderá, el calefactor empezará la función de oscilación. Presione el botón dos veces, la luz indicadora de la función de oscilación se apagará, el calefactor deja de oscilar.

4. Cuando el calefactor esté funcionando, presione el "Timer (Temporizador)" en el panel de control o en el control remoto. La luz indicadora del temporizador se encenderá, la pantalla LED mostrará: 00-01-02....11-12-00. "00" significa cancelar el temporizador, "01-12" significa establecer de 1 a 12 horas. Después de configurar el temporizador, la pantalla LED parpadeará durante unos 3 segundos.

Si el temporizador se cancela, la pantalla LED mostrará la temperatura ambiente y la luz indicadora del temporizador se apagará. Si se configura el temporizador, la pantalla LED mostrará la temperatura ambiente y la luz indicadora del temporizador estará encendida.

Una vez transcurrido el tiempo establecido, el calefactor deja de calentar. Después de que el calefactor sople durante unos 15 segundos, la persiana del calefactor se cierra. El calefactor entrará en modo de espera. Cuando el temporizador esté funcionando, presione "Timer (Temporizador)" por una vez, se mostrará el tiempo de descanso del apagado. Presione "Timer (Temporizador)" más de una vez, se podrá restablecer el temporizador.

5. Cuando el calefactor esté funcionando, presione "Temperature (Temperatura)" en el panel de control o en el control remoto. La luz indicadora de temperatura se encenderá, la pantalla LED mostrará: 00-20-21....29-30-00. "00" significa cancelar la temperatura, "21-30" significa ajustar la temperatura de 21 grados centígrados a 30 grados centígrados. Una vez completada la configuración, la pantalla LED parpadeará durante unos 3 segundos.

Si cancela la función de temperatura, la pantalla LED mostrará la temperatura ambiente y la luz indicadora de temperatura se apagará. Si la temperatura está establecida, la pantalla LED mostrará la temperatura ambiente y la luz indicadora de temperatura estará encendida.

Después de alcanzar la temperatura establecida, el calefactor dejará de calentar y soplará durante 15 segundos. Otra luz indicadora sigue encendida. Si el temporizador se ha configurado previamente, el calefactor aún funciona. Cuando la temperatura ambiente sea 2 grados inferior que la temperatura establecida, el calefactor empezará a calentar. Cuando la función de temperatura está funcionando, presione "Temperature (Temperatura)" por una vez, se mostrará la temperatura configurada.

Presione "Temperature (Temperatura)" más de una vez, se podrá restablecer la temperatura.

6. Si presiona la tecla "ON/OFF (ENCENDIDO/APAGADO)" pero no se ha configurado la temperatura de funcionamiento, el calefactor seguirá calentando.



7.00H signifie que le temps de travail n'a pas réglé, l'appareil ne fonctionnera pas



8. La configuración de temperatura es "00", el calefactor seguirá funcionando.



Configuración del temporizador semanal

1. Después de enchufar el calefactor a la fuente de alimentación, encienda el interruptor de alimentación, el zumbador del calefactor emite un pitido, y se muestra la temperatura ambiente. El calefactor está en el modo de espera.
2. Presione el botón de configuración para entrar en el modo de configuración de la hora real actual. Presione “add (agregar)” y “reduce (reducir)” para ajustar la hora. Presione el botón “ok” después de cada selección de hora. Presione el botón “Cancel (Cancelar)” para volver al paso anterior, presione el botón “Cancel (Cancelar)” dos veces para volver al modo de espera o cancelar el temporizador semanal.
3. Después de confirmar la hora real actual, el sol (domingo) parpadea en la parte superior de la pantalla. Presione las teclas “hacia arriba” y “hacia abajo” para seleccionar los días reales. Después de seleccionar el día real, por ejemplo, Mon (lunes), presione el botón “ok”, en este momento, el Mon (lunes) está iluminada, presione las teclas “hacia arriba” y “hacia abajo” para configurar la hora de encendido del lunes, después de finalizar la hora de encendido, presione la tecla “hacia arriba” y “hacia abajo” para configurar la hora de apagado. Después de finalizar la hora de apagado, presione las teclas “hacia arriba” y “hacia abajo” para establecer la temperatura deseada para el lunes. Siga este procedimiento para configurar los otros días de la semana. Si elige el tiempo de funcionamiento a las “00” y presiona el botón “ok”, lo que significa que elige que el calefactor no funciona en aquel día de la semana.
4. Después de configurar el temporizador semanal, el funcionamiento normal del calefactor no afectará el temporizador semanal cuando el temporizador semanal no está funcionando. Si el temporizador semanal llega a la hora de encendido, pero el calefactor sigue funcionando normalmente, el temporizador semanal no se activará. Durante el funcionamiento del temporizador semanal del calefactor, si se presiona alguna tecla del control remoto y botón del calefactor, el temporizador semanal tampoco se activará ese día. El calefactor se apagará directamente y sólo se podrá restablecer o configurar. Después de configurar el temporizador semanal, la pantalla se mostrará de acuerdo con el modo de funcionamiento normal. Después de que se apaga el funcionamiento normal, restaure el tiempo de espera del temporizador semanal. Presione el botón “Cancel (Cancelar)” dos veces, apague el interruptor de alimentación, desconecte el cable de alimentación o corte de energía. Se necesita restablecerlo.

Control de inicio adaptativo

Cuando el calefactor está en modo de espera, o el calefactor no funciona cuando el temporizador semanal está configurado, si el calefactor detecta que la temperatura ambiente es inferior a 5 o 5 grados centígrados, el calefactor se encenderá automáticamente, hasta que la temperatura ambiente sube a 10 grados centígrados, el calefactor se apagará automáticamente. Esta función se apaga si el calefactor está funcionando normalmente o el temporizador semanal funciona.

Control remoto

1. Todas las funciones activadas mediante el control remoto son las mismas que las funciones activadas mediante el control del panel.
2. Cuando no utilice el control remoto, retire las baterías del control remoto antes de guardarlo.

PROTECCIÓN CONTRA EL SOBRECALENTAMIENTO

El calefactor está protegido por un protector contra sobrecalentamiento que apaga automáticamente el calefactor en caso de sobrecalentamiento. Por ejemplo, por la obstrucción total o parcial de las rejillas. En dicho caso, desenchufe el calefactor, espere al menos de 30 minutos para que el calefactor se enfríe, y retire los objetos que obstruyen las rejillas. Luego vuelva a encender el calefactor como lo que se describe arriba.

ESPECIFICACIONES TÉCNICAS:

Modelo	R-6065
Voltaje nominal	220-240V~
Frecuencia nominal	50Hz/60Hz
Potencia nominal	2000W
Clase de protección	II

LIMPIEZA Y MANTENIMIENTO

1. Si no utiliza el calefactor durante largo plazo, limpie su superficie y colóquelo en la caja de cartón. Coloque la caja en un lugar ventilado bien y seco. Evite la humedad y la fuerza de presión.
2. Espere a que el calefactor se enfríe adecuadamente, y saque el enchufe, luego límpielo. Utilice un paño humedecido o un limpiador para limpiarlo. No lo enjuague directamente con agua; no deje gotear agua en el calefactor. No lo limpie con ácidos, diluyentes químicos, gasolina, bencina, etc.
3. Antes de volver a utilizar el calefactor, verifíquelo y asegúrese de que la salida de aire esté libre de residuos.

INFORMACIÓN IMPORTANTE PARA LA ELIMINACIÓN CORRECTA DEL PRODUCTO DE ACUERDO CON LA DIRECTIVA CE 2002/96/CE.

Al final de la vida útil del calefactor, no debe ser desechado como basura urbana.

Debe ser llevado a un centro de reciclaje de basura especial especificado por la autoridad local o a un distribuidor que ofrezca este servicio. La eliminación separada de los electrodomésticos evita posibles impactos negativos para el medio ambiente y la salud debido a la eliminación inadecuada y permite el reciclaje de los materiales que lo componen, lo que genera un ahorro significativo de energía y recursos. Como recordatorio de la necesidad de desechar los electrodomésticos por separado, el calefactor está marcado con un contenedor de basura con ruedas tachado.



ISTRUZIONI IMPORTANTI – MANUALE D'USO
LEGGERE E CONSERVARE QUESTE ISTRUZIONI
LEGGERE ATTENTAMENTE PRIMA DI TENTARE DI ASSEMBLARE,
INSTALLARE, FUNZIONARE O MANTENERE I PRODOTTI DESCRITTI.
PROTEGGERE SE STESSI E GLI ALTRI OSSERVANDO TUTTE LE
INFORMAZIONI DI SICUREZZA. IL MANCATO RISPETTO DELLE ISTRUZIONI
POTREBBE PROVOCARE LESIONI PERSONALI E/O DANNI ALLA PROPRIETÀ!
CONSERVARE LE ISTRUZIONI PER RIFERIMENTI FUTURI.

AVVERTENZA GENERALE DI SICUREZZA:

1. Il riscaldatore deve essere appeso al muro e abbassare l'uscita del vento o deve essere posizionato su un apparecchio piatto. Non devi posizionarlo in modo precipitoso o obliquo.
2. Utilizzare solo la tensione specificata sulla targhetta del riscaldatore.
3. Il riscaldatore non deve essere posizionato nelle immediate vicinanze sotto una presa di corrente.
4. Non coprire o limitare il flusso d'aria alle griglie di ingresso o di uscita in alcun modo poiché l'apparecchio si surriscalda e diventa un rischio di incendio.
5. Non ostruire in alcun modo l'ingresso e l'uscita d'aria. Controllare regolarmente le aperture per la polvere accumulata.
6. Non posizionare l'apparecchio vicino a una fonte di calore radiante.
7. Non operare in aree in cui vengono utilizzati o conservati benzina, vernici o altri liquidi infiammabili.
8. Non utilizzare l'apparecchio per asciugare i vestiti.
9. Non inserire o consentire l'ingresso di oggetti estranei nelle aperture di ventilazione o di scarico, poiché ciò potrebbe causare scosse elettriche, incendi o danni all'apparecchio.
10. Non utilizzare alcun apparecchio con un cavo danneggiato o dopo che l'apparecchio non funziona correttamente o è caduto o è stato danneggiato in qualsiasi modo. Rivolgere ad un elettricista qualificato per l'esame, la regolazione elettrica o meccanica, l'assistenza o la riparazione.
11. Questo apparecchio è destinato esclusivamente all'uso domestico e non per uso commerciale o industriale.
12. Utilizzare questo apparecchio solo come descritto in questo manuale. Qualsiasi altro uso non è raccomandato dal produttore e può causare incendi, scosse elettriche o lesioni.
13. La causa più comune di surriscaldamento sono i depositi di polvere o lanugine nell'apparecchio. Assicurarsi che questi depositi vengano rimossi regolarmente scollegando l'apparecchio e la presa d'aria viene pulita dall'aspirapolvere.
14. Non utilizzare prodotti abrasivi per pulire questo apparecchio. Pulire con un panno umido (bagnato caldo) risciacquato solo con acqua calda e sapone. Sempre scollegato dalla rete elettrica prima della pulizia.
15. L'apparecchio si riscalda leggermente durante l'uso. Per evitare ustioni, non lasciare che la pelle nuda tocchi superfici calde.
16. Si sconsiglia l'uso di una prolunga con questo apparecchio.
17. Evitare che il cavo entri in contatto con superfici riscaldate durante il funzionamento.
18. Se il cavo di alimentazione è danneggiato, deve essere sostituito dal produttore, dal suo agente di servizio o da persone similmente qualificate per evitare rischi.
19. Se il riscaldatore necessita di riparazione, rivolgersi a una persona tecnica o al reparto di manutenzione autorizzato della nostra azienda.
20. Non utilizzare questo apparecchio all'aperto o su superfici bagnate.

21. Il riscaldatore deve essere installato in modo che interruttori e altri controllori non possano essere toccati da una persona in assenza di supervisione (questo apparecchio è senza spina, non toccare direttamente il cavo).
22. Il riscaldatore deve essere installato almeno 0,2 m sotto il soffitto.
23. Il riscaldatore non deve essere installato vicino a tende e altri materiali combustibili.
24. Se il motore non funziona correttamente, fermarlo immediatamente, e poi controllarlo da personale qualificato.
25. Durante l'utilizzo del riscaldatore, non aprire continuamente la porta o la finestra, altrimenti influirà sull'effetto del riscaldamento.
26. Se si desidera spegnere il riscaldatore, premere l'interruttore on/off su off, e poi il riscaldatore manterrà la ventola in funzione per 30 secondi fino a quando non emette vento freddo, quindi il riscaldatore smetterà di funzionare, ma non tirare l'alimentazione cavo direttamente, è rischioso.
27. Non utilizzare questo riscaldatore nelle immediate vicinanze di un bagno, una doccia o una piscina.
28. Il temporizzatore imposta il tempo di funzionamento del riscaldatore.
29. La batteria deve essere rimossa dall'apparecchio prima dello smaltimento.
30. La batteria deve essere smaltita in modo sicuro.
31. Il riscaldatore deve essere installato ad almeno 2 m sopra il pavimento.
32. Questo apparecchio può essere utilizzato da bambini di età pari o superiore a 8 anni e da persone con ridotte capacità fisiche, sensoriali o mentali o prive di esperienza e conoscenza se sono state supervisionate o istruite sull'uso dell'apparecchio in modo sicuro e se hanno compreso i rischi coinvolti. I bambini non devono giocare con l'apparecchio. La pulizia e la manutenzione da parte dell'utente non devono essere effettuate da bambini senza supervisione.
33. I bambini di età inferiore a 3 anni devono essere tenuti lontani a meno che non siano costantemente sorvegliati. I bambini di età compresa tra 3 anni e meno di 8 anni possono accendere/spegnere l'apparecchio solo a condizione che sia stato posizionato o installato nella normale posizione di funzionamento prevista e che siano stati sorvegliati o istruiti sull'uso dell'apparecchio in modo sicuro e hanno compreso i rischi connessi. I bambini di età compresa tra 3 anni e meno di 8 anni non devono collegare, regolare e pulire l'apparecchio o eseguire la manutenzione da utente.

ATTENZIONE – Alcune parti di questo prodotto possono diventare molto calde e causare ustioni. Particolare attenzione deve essere prestata dove sono presenti bambini e persone vulnerabili.

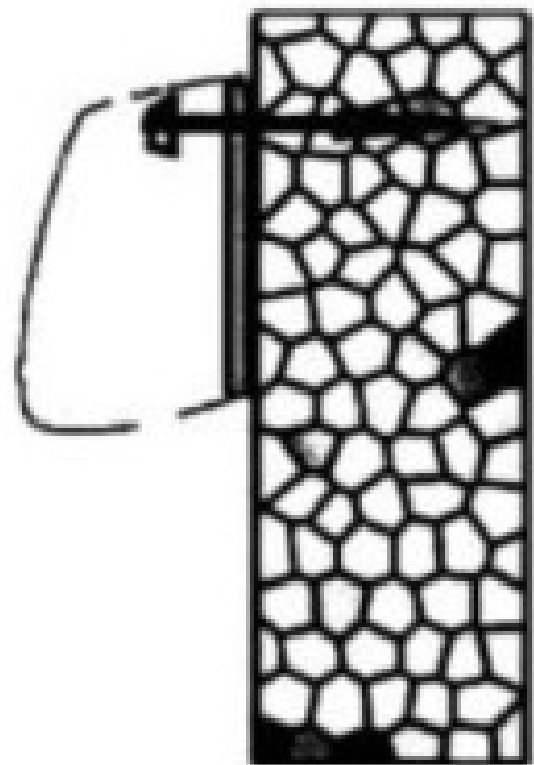
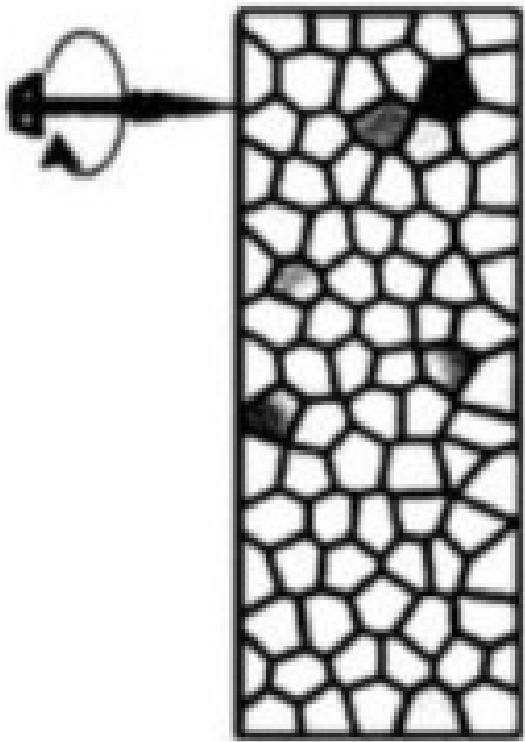
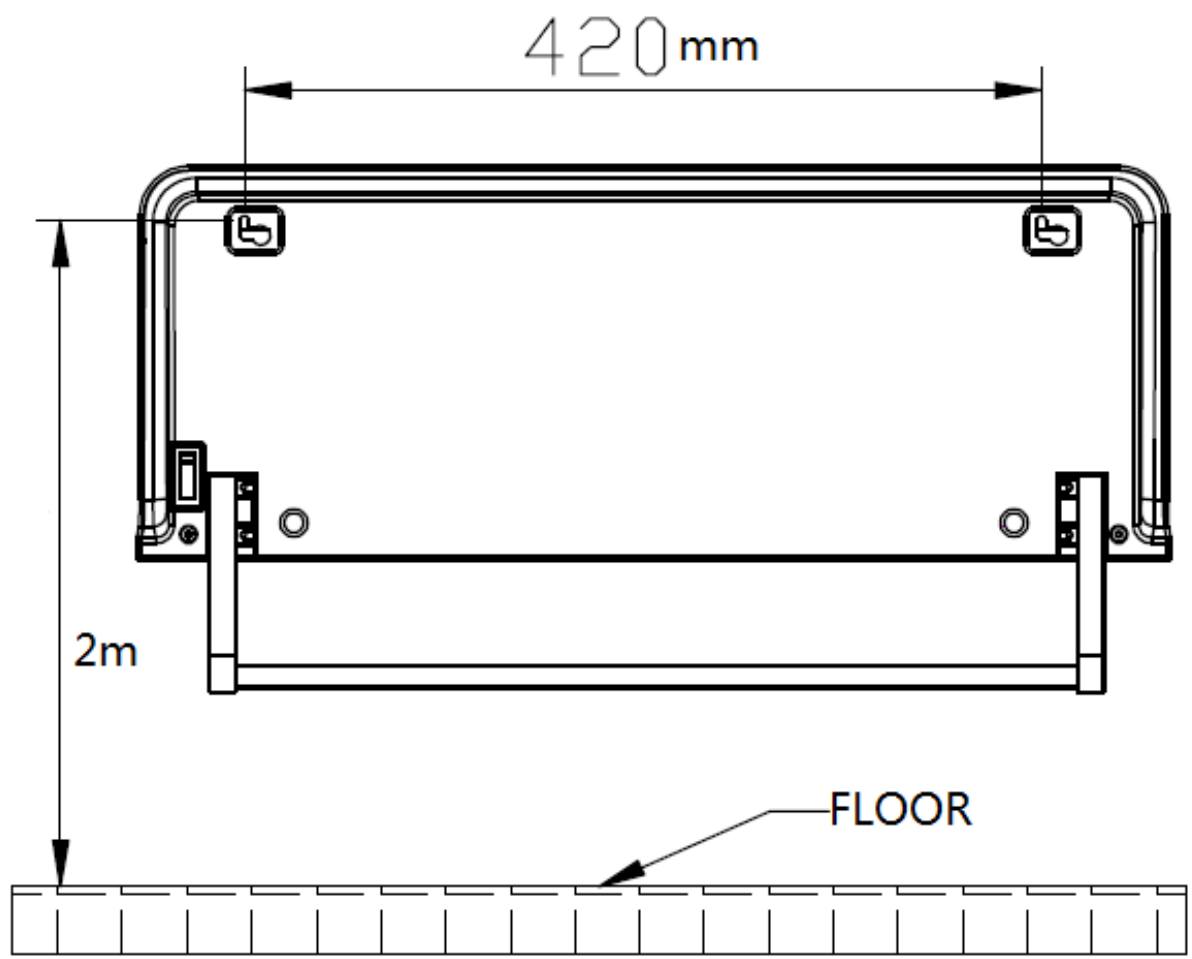
INSTALLAZIONE DELL'APPARECCHIO

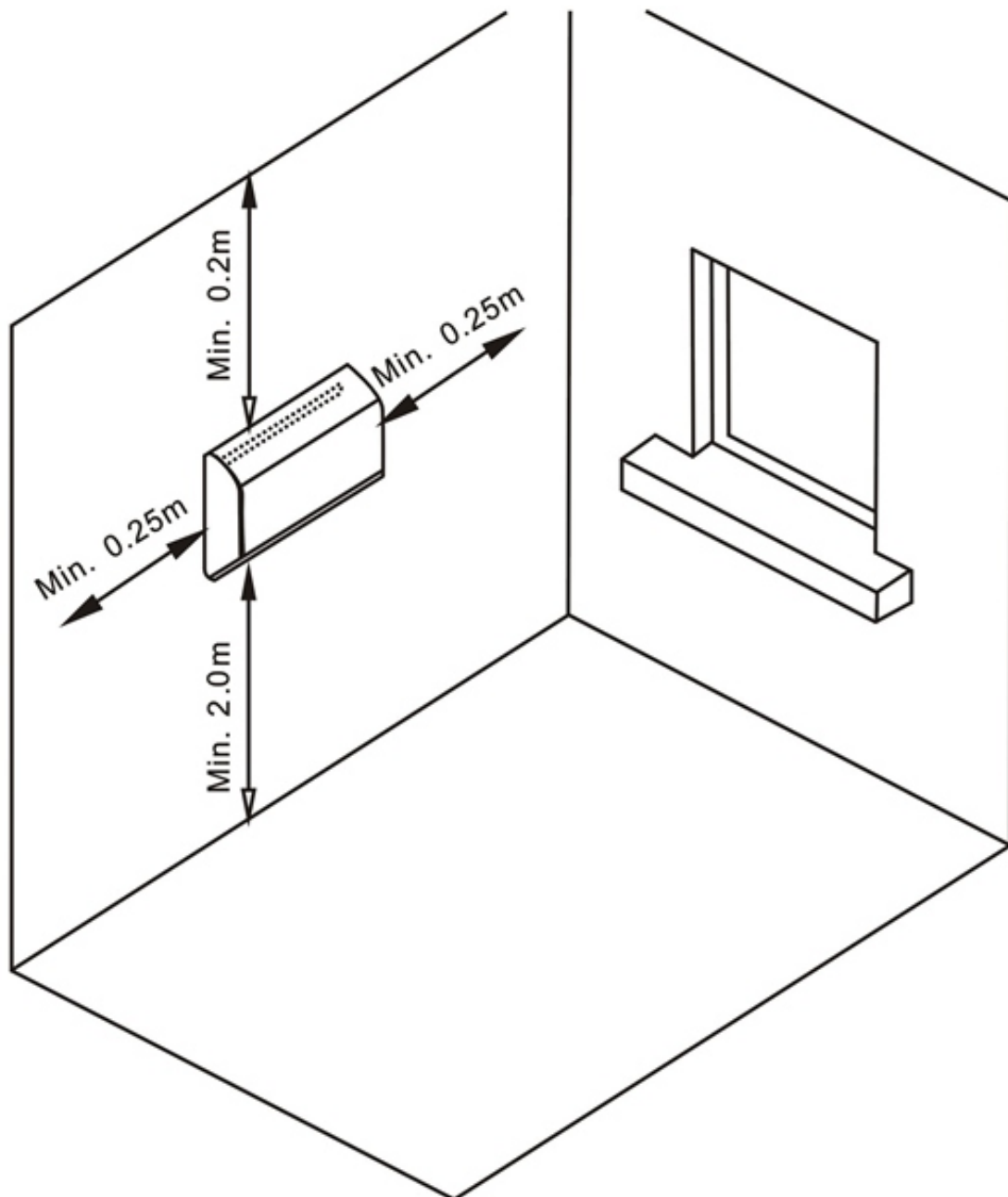
Il riscaldatore deve essere installato e utilizzato secondo lo standard di sicurezza.

Per evitare tutti i pericoli, seguire le istruzioni di sicurezza.

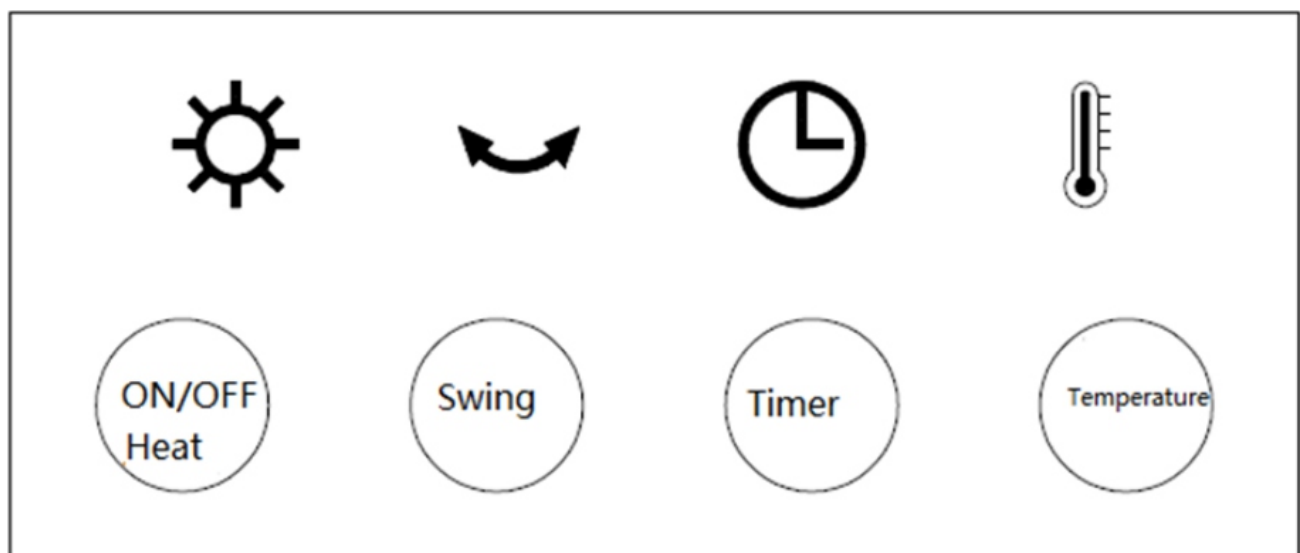
- L'installazione deve essere eseguita dal tecnico dell'assistenza o da persone similmente qualificate per evitare pericoli.
- **Importante!** Assicurarsi che non ci siano cavi elettrici o altre installazioni (ad esempio tubazioni dell'acqua) in prossimità dei fori da perforare. Assicurarsi che l'apparecchio sia fissato saldamente e verticalmente alla parete.

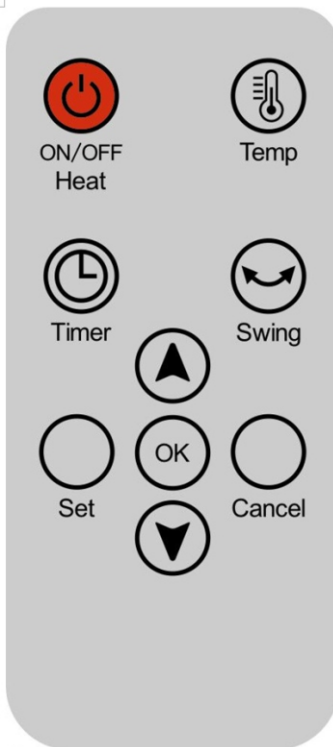
Fare due fori sulla parete a 2 metri sopra il pavimento e vicino all'angolo a più di 25 mm, assicurarsi di avere il diametro uguale al tubo a espansione. Fissare due viti sul tubo a espansione, tenere le punte delle viti fuori per 5 mm e riagganciare la macchina dopo che le viti sono state fissate a sufficienza.





FUNZIONAMENTO





1. Collegare a qualsiasi fonte CA 220-240 V, 50 Hz. Premere l'interruttore di alimentazione sul retro, il riscaldatore entra in standby, e il LED visualizzerà la temperatura ambiente, e poi utilizzare il telecomando o il pulsante sul pannello di controllo per funzionare.

2. Premere per una volta il pulsante "ON/OFF Heat" sul pannello di controllo del riscaldatore o premere il pulsante "ON/OFF" sul telecomando, la spia del calore dell'indicatore si accende in blu e soffia il vento a bassa temperatura.

E poi premere il pulsante "ON/OFF Heat" sul pannello di controllo del riscaldatore per la seconda volta, oppure premere il pulsante "Heat" sul telecomando, la spia del calore dell'indicatore diventerà verde e soffierà il vento riscaldato.

E poi premere il pulsante "ON/OFF Heat" sul pannello di controllo del riscaldatore per la terza volta, oppure premere il pulsante "ON/OFF" sul telecomando, smetterà di riscaldarsi. Dopo circa 15 secondi, il deflettore si chiude. L'apparecchio entra in Standby.

3. Quando il prodotto sta funzionando, premere per una volta il pulsante "Swing" sul pannello di controllo o sul telecomando, la spia dell'oscillazione si accende, il prodotto oscilla per soffiare. Premere il pulsante due volte, la spia dell'oscillazione si spegne, si ferma l'oscillazione.

4. Quando il prodotto sta funzionando, premere il "Timer" sul pannello di controllo o sul telecomando, la spia del timer si accende, il LED visualizzerà: 00-01-02....11-12-00. "00" significa annullare il timer, "01-12" significa impostare da 1 a 12 ore. Dopo l'impostazione, il display LED lampeggerà per circa 3 secondi.

Se si annulla il timer, il LED visualizzerà la temperatura ambiente e la spia del timer si spegnerà. Se è impostato il timer, il LED visualizzerà la temperatura ambiente e la spia del timer si accenderà.

Dopo scade la temporizzazione, il prodotto smette di riscaldarsi. Dopo circa 15 secondi, il deflettore si chiude. entra in standby. Quando sta in funzione la temporizzazione, premere "Timer" per una volta, mostrerà il tempo rimasto per lo spegnimento. Premere "Timer" per più di una volta, si ripristinerà per il temporizzazione.

5. Quando il prodotto sta funzionando, premere "Temperature" sul pannello di controllo o sul telecomando, la spia della temperatura si accende, il LED visualizzerà: 00-20-21....29-30-00. "00" significa annullare la temperatura, "21-30" significa impostare la temperatura da 21 a 30. Dopo l'impostazione, il display a LED lampeggerà per circa 3 secondi.

Se si annulla la temperatura, il LED visualizzerà la temperatura ambiente e la spia della temperatura sarà spenta. Se la temperatura è stata impostata, il LED visualizzerà la temperatura ambiente e la spia della temperatura sarà accesa.

Dopo aver raggiunto la temperatura, l'apparecchio smetterà di riscaldarsi e soffierà per 15 secondi. L'altra spia è ancora accesa. Se il timer è stato impostato in precedenza, continua a funzionare ancora. Quando la temperatura ambiente è 2 gradi in più rispetto alla temperatura impostata, il prodotto inizierà a riscaldarsi.

lavoro di temperatura, premere "Temperatura" per una volta, mostrerà la temperatura impostata.

Premere "Temperatura" più di una volta, si ripristinerà per la temperatura.

6. Se si preme il pulsante ON/OFF e la temperatura di lavoro non è stata impostata, l'apparecchio continua a riscaldarsi.



7.00H significa che il tempo di funzionamento non è stato impostato, quindi l'apparecchio non funzionerà.





8. L'impostazione della temperatura è 00, l'apparecchio continuerà a funzionare.

Impostazione del Timer settimanale

1. Dopo aver collegato l'apparecchio all'alimentazione elettrica, accendere l'interruttore di alimentazione, il cicalino del prodotto suona e si mostra la temperatura ambiente. Il prodotto entra in modalità standby.
2. Premere il pulsante di impostazione per entrare nella modalità di impostazione dello tempo effettivo Attuale. Premere "aggiungi" e "riduci" per regolare il tempo. Fare clic sul pulsante "ok" quando il tempo è selezionato in ogni momento. Premere il pulsante Annulla per tornare alla precedente passaggio, fare doppio clic sul pulsante Annulla per tornare alla modalità standby o annullare il timer settimanale.
3. Dopo la conferma del tempo effettivo, il Sun (domenica) lampeggia nella parte superiore del display. Fare clic sui pulsanti Su e Giù per scegliere i giorni effettivi. Dopo aver selezionato il giorno effettivo di oggi, ad esempio Mon (lunedì), premere il pulsante di conferma. In questo momento il lunedì è spesso luminoso, premere i pulsanti Su e Giù per impostare l'orario di funzionamento del lunedì, dopo l'orario di funzionamento, premere i pulsanti Su e Giù per impostare l'orario di chiusura. Al termine dell'orario di chiusura, premere Su e Giù per impostare la temperatura desiderata nel lunedì. Il resto della giornata viene condotto a base di questa procedura fino al completamento di una settimana. Se scegli l'orario di lavoro alle 00 e premi il pulsante di conferma, cioè scegli di non fare lavorare l'apparecchio in questo giorno della settimana.
4. Quando il timer settimanale è impostato, il normale funzionamento del prodotto non influirà sui tempi della settimana quando il timer settimanale non sta funzionando. Se l'orario è attivato all'orario settimanale, ma il prodotto è ancora in regolare funzionamento, l'orario settimanale non sarà valido. Durante il funzionamento del timer settimanale, se si preme un qualsiasi pulsante del telecomando e del prodotto, anche il timer settimanale non è valido in quel giorno. Il prodotto viene spento direttamente e può essere solo riorganizzato o impostato. Dopo aver impostato il timer settimanale, il display verrà visualizzato secondo la normale modalità di lavoro. Dopo il regolare arresto del lavoro, ripristinare il tempo di standby del timer settimanale. Premere il pulsante Annulla due volte, oppure spegnere l'interruttore di alimentazione, o estrarre il cavo di alimentazione, o si verifica un'interruzione di corrente. Devi ripristinarlo.

Controllo del lancio adattivo

Quando il prodotto è in modalità standby, o il prodotto non funziona quando è stato impostato il timer settimanale, se il prodotto si trova in temperatura ambiente inferiore a 5 o 5 centigradi, il prodotto si attiva automaticamente, finché la temperatura ambiente non arriva fino a 10 centigradi, e a questo punto il prodotto si spegne automaticamente. Questa funzione è disattivata se il prodotto funziona regolarmente o funziona con il timer settimanale.

Telecomando

1. Tutte le funzioni eseguite con il telecomando funzionano in modo identico al controllo del pannello.
2. Quando non si utilizza il telecomando, rimuovere le batterie prima di conservarlo.

PROTEZIONE DA SURRISCALDAMENTO

Il riscaldatore è protetto da una protezione contro il surriscaldamento che spegne automaticamente il riscaldatore in caso di surriscaldamento, per esempio, a causa di ostruzione totale o parziale delle griglie. In tale caso, scollegare l'apparecchio, attendere circa 30 minuti che si raffreddi e rimuovere l'oggetto che ostruisce le griglie, e poi riaccenderlo come descritto sopra.

SPECIFICHE TECNICHE:

Modello	R-6065
Voltaggio nominale	220-240V~
Frequenza nominale	50Hz/60Hz
Potenza nominale	2000W
Classe di protezione	II

PULIZIA E MANUTENZIONE

1. Se non usi il riscaldatore per molto tempo, pulisci la superficie e mettilo nella scatola di cartone. Metti la scatola in un luogo ventilato e asciutto. Sono vietate l'umidità e la pressione forzata.
2. Attendi che l'apparecchio si raffreddi ed estrai la spina, e poi lo pulisci. Puliscilo con un panno umido o un detergente. Non lavare mai direttamente con acqua; non far cadere l'acqua nell'apparecchio. Non pulirlo mai con acidi, diluenti chimici, benzina, benzene ecc.
3. Prima di utilizzarlo di nuovo, controlla e assicurati che non ci sono gli oggetti estranei nella ventilazione dell'uscita.

INFORMAZIONE IMPORTANTE PER IL CORRETTO SMALTIMENTO DEL PRODOTTO AI SENSI DELLA DIRETTIVA CE 2002/96/CE.

Alla fine della sua vita di servizio, il prodotto non deve essere smaltito come rifiuto urbano. Deve essere restituito presso un apposito centro di raccolta differenziata di enti locali o presso un rivenditore che fornisce tale servizio. Lo smaltimento separato di un elettrodomestico evita possibili conseguenze negative per l'ambiente e la salute, derivanti da uno smaltimento inadeguato e consente il recupero dei materiali costituenti per ottenere un notevole risparmio di energia e risorse. Per ricordare la necessità di smaltire separatamente gli elettrodomestici, il prodotto è contrassegnato da un bidone della spazzatura con ruote barrato.



UK

If you have any questions, please contact our customer care center.

Our contact details are below:



0044-800-240-4004



enquiries@mhstar.co.uk

IMPORTER ADDRESS:

MH STAR UK LTD

Unit 27, Perivale Park,

Horsenden lane South

Perivale, UB6 7RH

MADE IN CHINA

ES

Si tiene alguna pregunta, comuníquese con nuestro Centro de Atención al Cliente.

Nuestros datos de contacto son los siguientes:



0034-931294512



atencioncliente@aosom.es

IMPORTADOR:

SPANISH AOSOM, S.L.

C/ ROC GROS, N° 15. 08550, ELS HOSTALETS DE

BALENYÀ, SPAIN.

B66295775

WWW.AOSOM.ES

ATENCIONCLIENTE@AOSOM.ES

TEL: 931294512

HECHO EN CHINA

FR

Si vous avez la moindre question, veuillez contacter notre centre d'assistance à la clientèle.

Nos coordonnées sont les suivantes:



0033-1-84166106



aosom@mhfrance.fr

Importé par:

MH France

2, rue Maurice Hartmann

92130 Issy-les-Moulineaux

France

Fabriqué en Chine

IT

In caso di dubbio, si prega di contattare il nostro centro assistenza clienti.

I nostri dettagli di contatto sono di seguito:



0039-0249471447



clienti@aosom.it

IMPORTATO DA:

AOSOM Italy srl

Centro Direzionale Milanofiori

Strada 1 Palazzo F1

20057 Assago (MI)

P.I.: 08567220960

FATTO IN CINA

