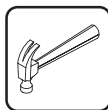
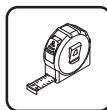




IN221200547V02_UK_FR_IT

820-195V70_820-195V90

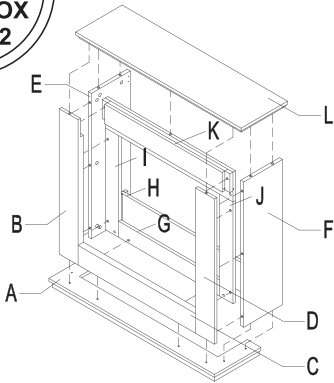


IMPORTANT, RETAIN FOR FUTURE REFERENCE: READ CAREFULLY

Tools Recommended

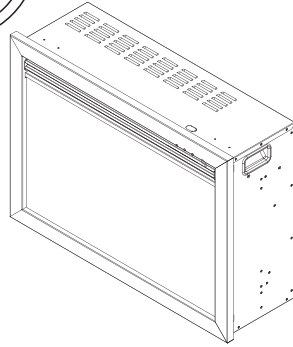
ASSEMBLY & INSTRUCTION MANUAL

**BOX
1-2**



Hardware Kit

**BOX
2-2**



Installation

The Electric heater is supplied with approximately 1.7 meters of flexible mains cable (1mm²). The appliance and surround should be located close to a suitable mains socket and **MUST** be easily accessible to allow proper connection.

This heater **MUST** be earthed. If in any doubt consult the manufacturer, its service center or a qualified person.

Installation

Le foyer est fourni avec environ 1,7 mètre de câble d'alimentation flexible (1 mm²).

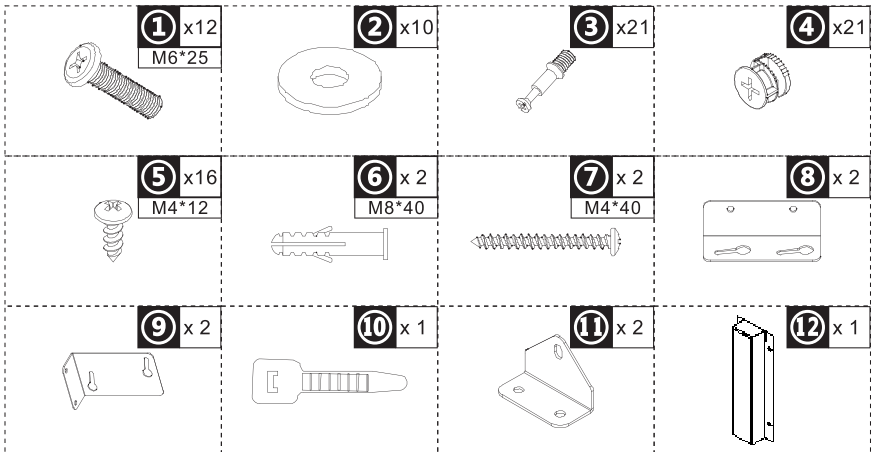
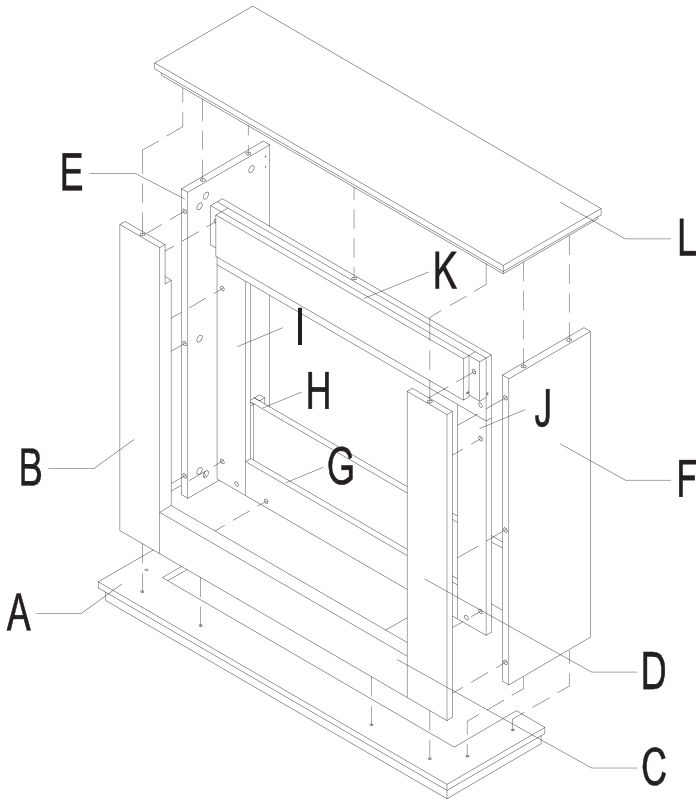
L'appareil et son entourage doivent être situés à proximité d'une prise de courant appropriée et **DOIVENT** être facilement accessibles pour permettre un raccordement correct.

Ce foyer **DOIT** être mis à la terre. En cas de doute, consultez le fabricant, son centre de service ou une personne qualifiée.

Installazione

Il Camino elettrico viene fornito con circa 1,7 metri di cavo di alimentazione flessibile (1mm²). Il dispositivo deve essere posizionato vicino ad una presa di corrente adeguata e deve essere facilmente accessibile per consentire il corretto collegamento.

Questo camino **DEVE** essere messo a terra. In caso di dubbio consultare il produttore, il suo centro di assistenza o una persona qualificata.

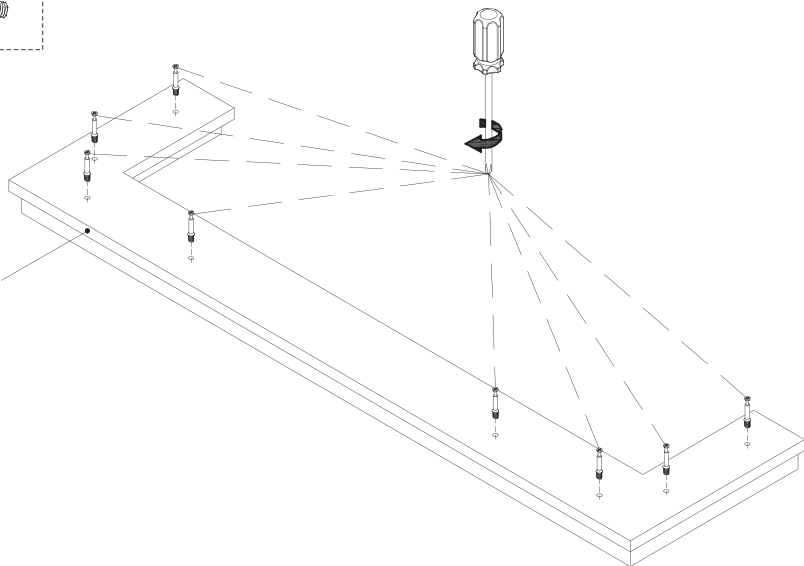


01

③ x 8



A



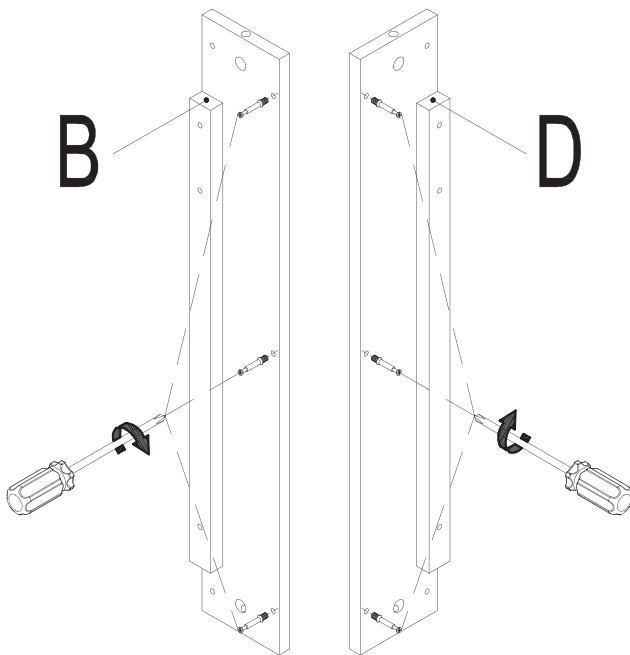
02

③ x 6



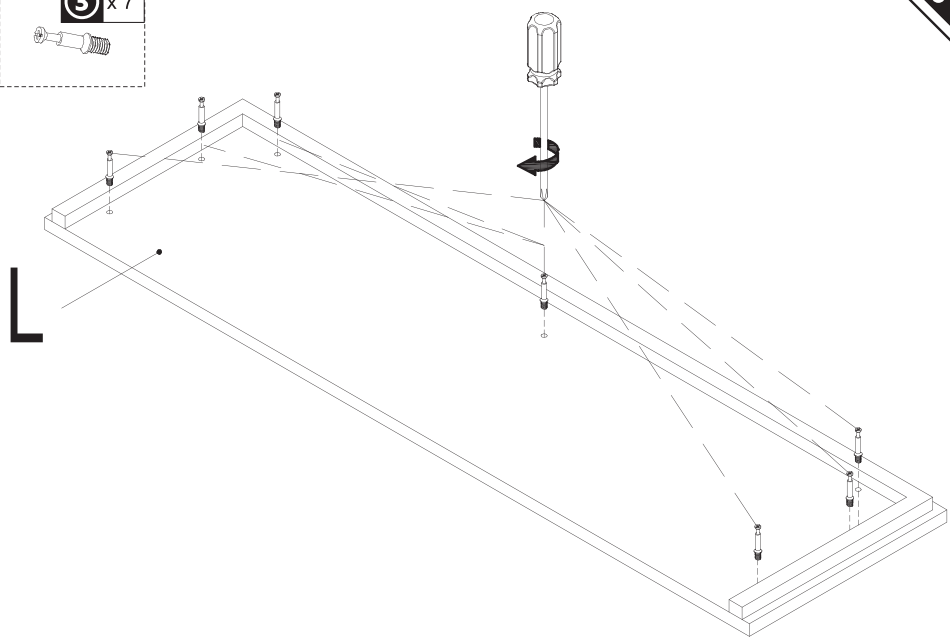
B

D



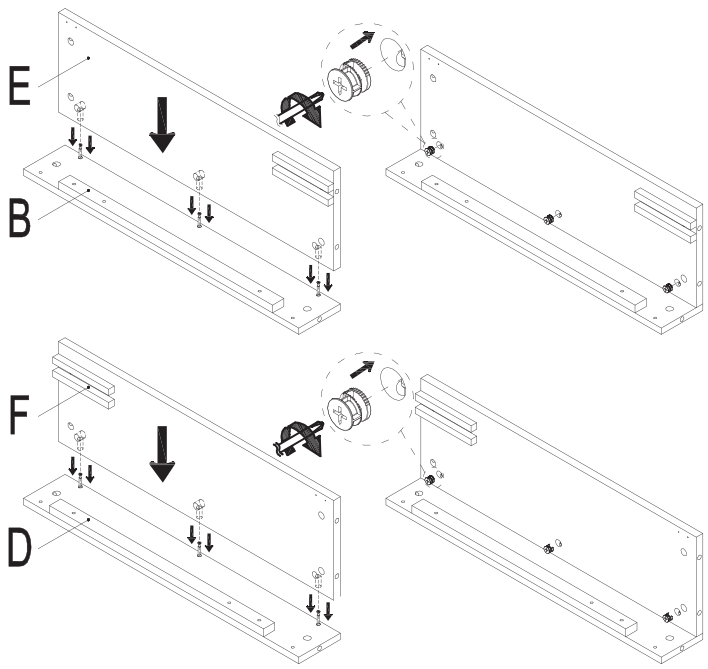
03

3 x 7

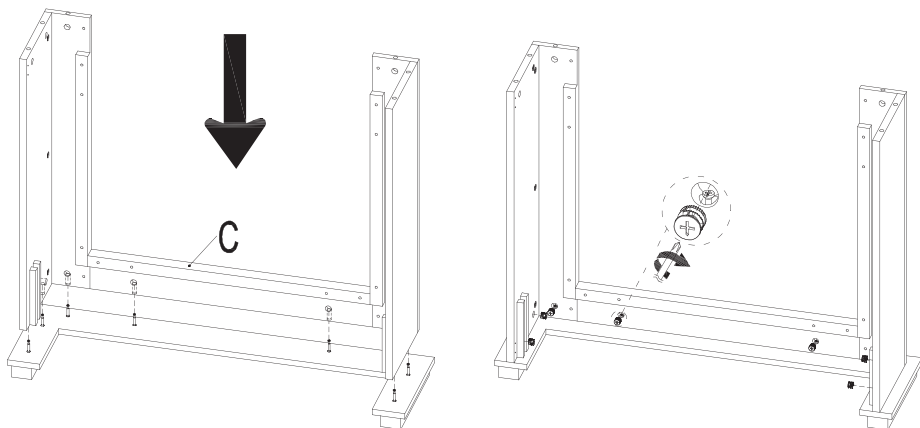


04

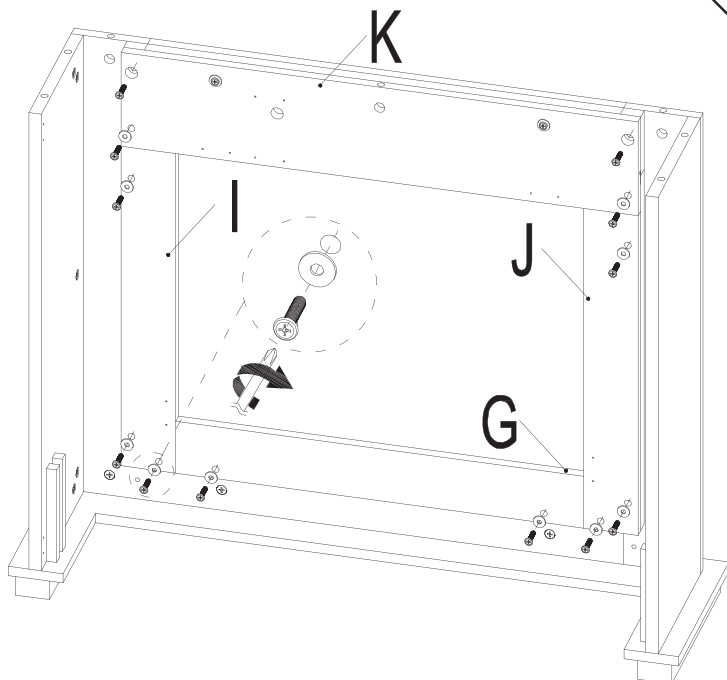
4 x 6



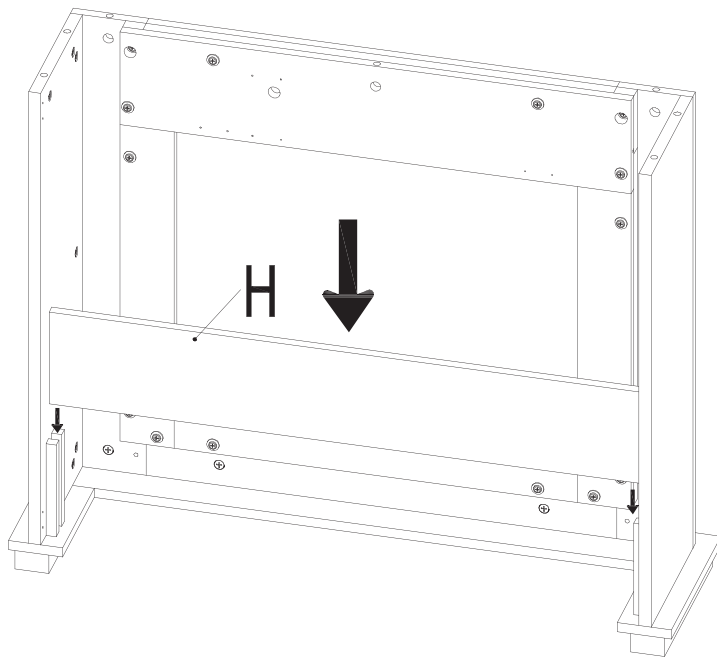
4 x 8

1 x 12
M6*25

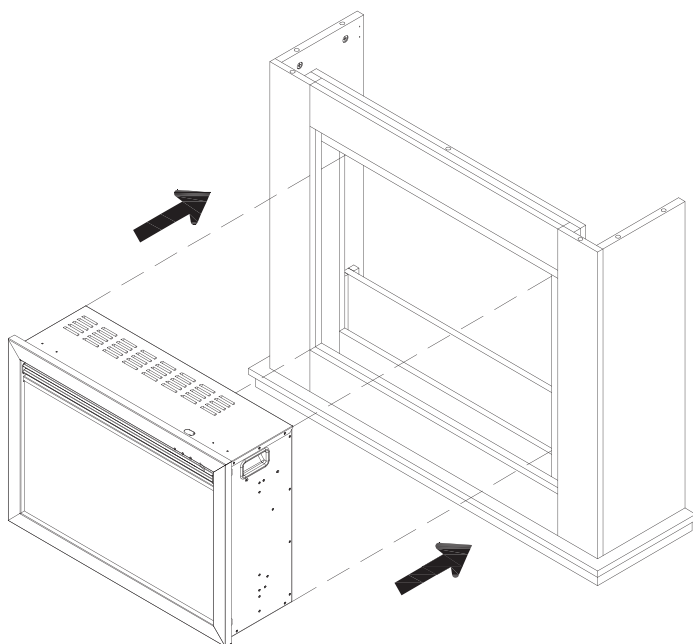
2 x 10

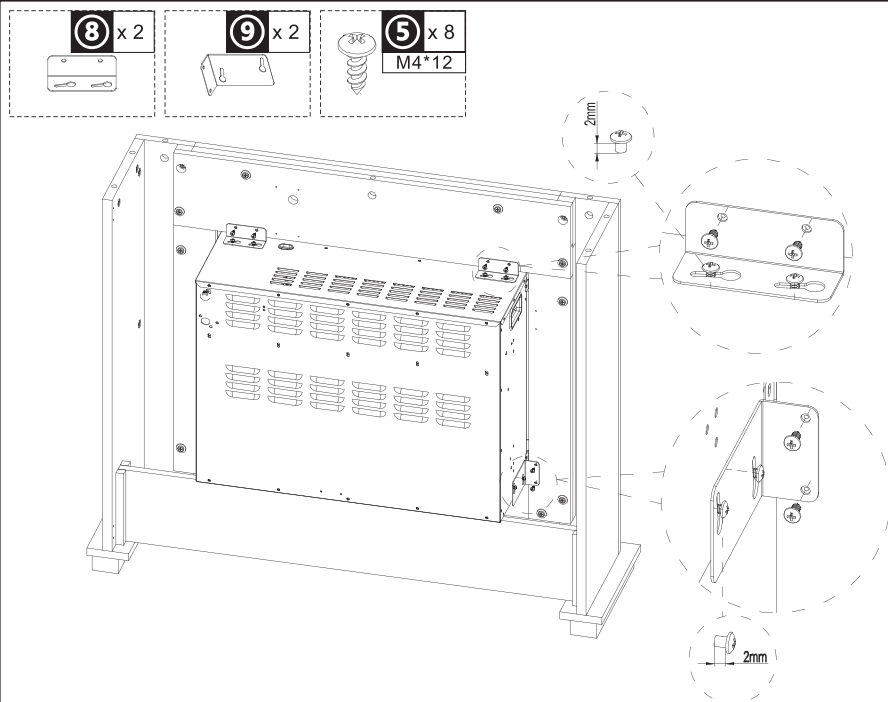


07



08





EN_Note: After inset the heater into the wooden mantel: .

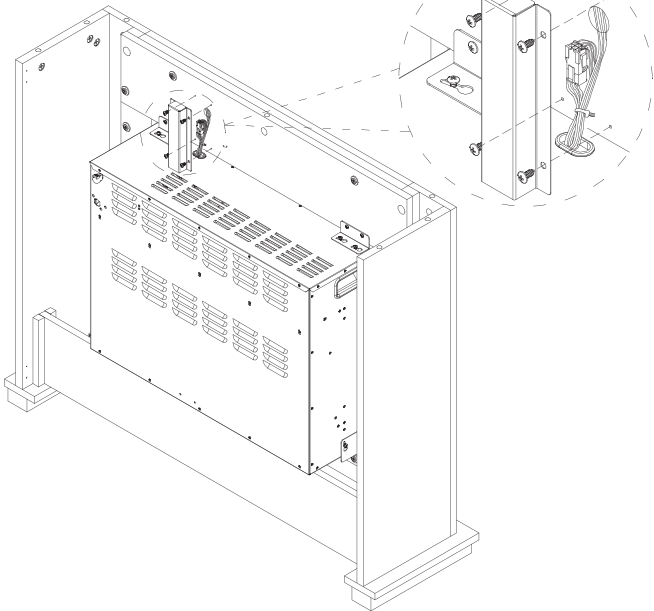
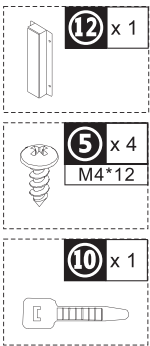
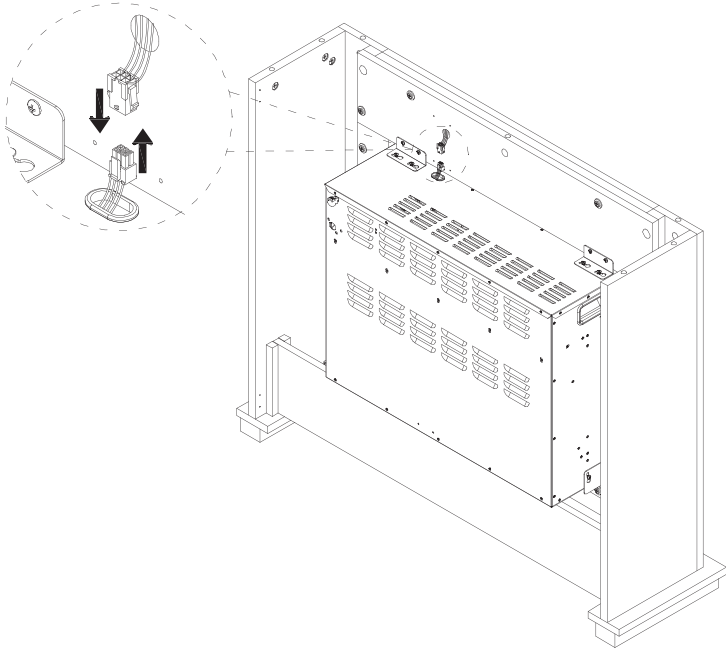
1. Loose 4pc silver screws on the top, 2pc silver screws on the left and 2pc silver screws on the right out a little, and leave 2mm gap.
2. The two keyhole slots of fixing bracket alignment with the two loose silver screws
2. Slide the top fixing bracket rightward and slide the left bottom and right bottom fixing brackets downward to lock the fixing bracket in place
3. Fix the heater to the inside wall of the surround firmly using the 8pcs ST4x12 screws.

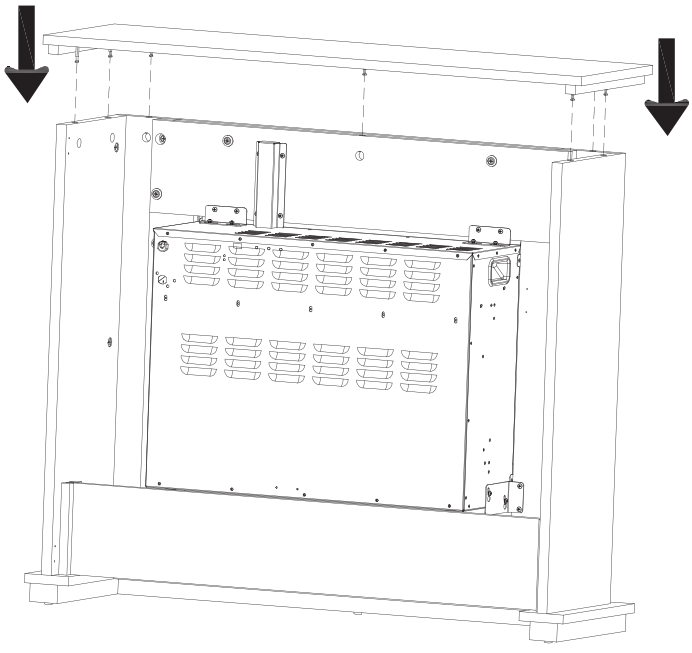
FR_Remarque: Après avoir inséré le chauffage dans la cheminée en bois :

1. Laissez un espace de 2 mm en desserrant un peu les 4 vis argentées du haut, les 2 vis argentées de gauche et les 2 vis argentées de droite.
2. Les deux fentes en trou de serrure du support de fixation doivent être alignées avec les deux vis en argent desserrées.
2. Ajustez le support de fixation supérieur vers la droite et faites glisser les supports de fixation inférieur gauche et inférieur droit vers le bas pour maintenir le support de fixation en place.
3. Montez solidement le chauffage sur la paroi intérieure de l'enceinte à l'aide des 8 vis ST4x12.

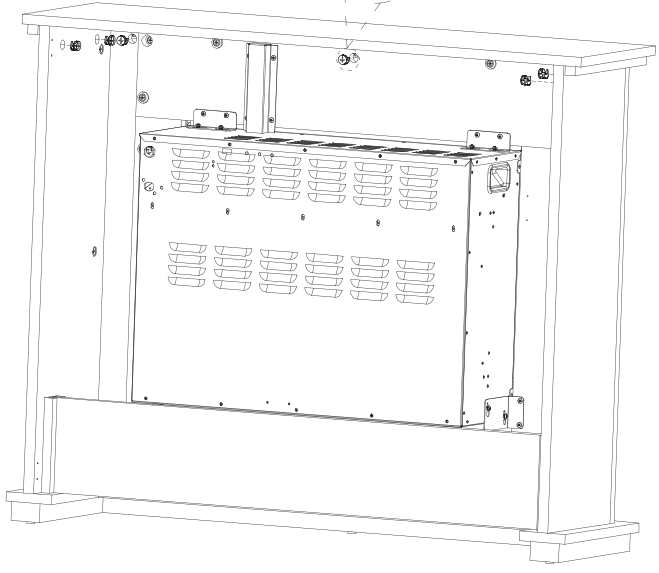
IT_Nota: Dopo aver inserito il riscaldatore nella cappa del camino in legno:

1. Allentare le 4 viti in metallo sulla parte superiore, 2 viti in metallo a sinistra e 2 viti in metallo a destra svitandole leggermente fuori, e lasciare uno spazio di 2 mm.
2. Le due fessure del foro del montante sono allineate con le due viti allentate.
2. Far scorrere la staffa montante superiore verso destra e far scorrere le staffe montanti inferiore sinistra e inferiore destra verso il basso per bloccarla in posizione.
3. Fissare saldamente il riscaldatore alla parete interna della cappa utilizzando 8 pezzi delle viti ST4x12.

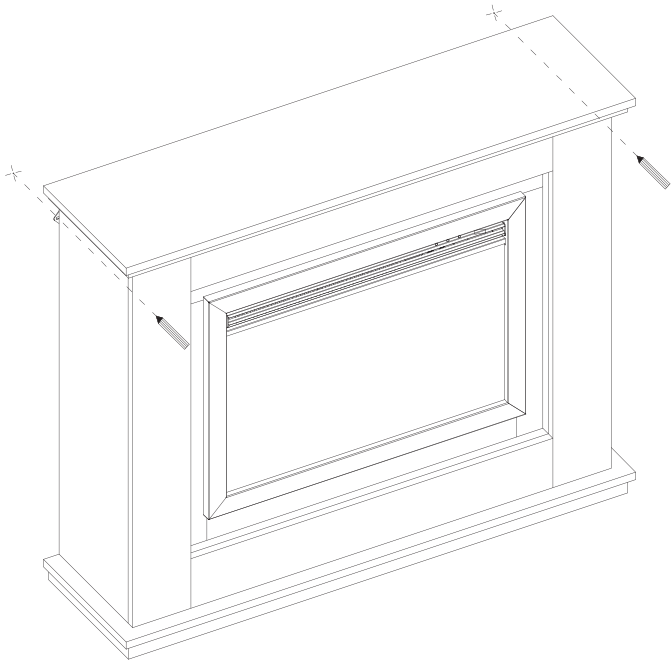
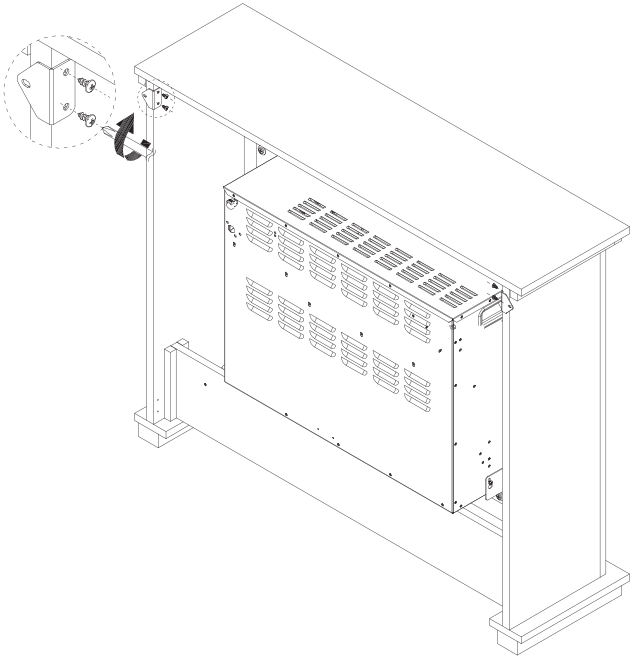




4 x 7



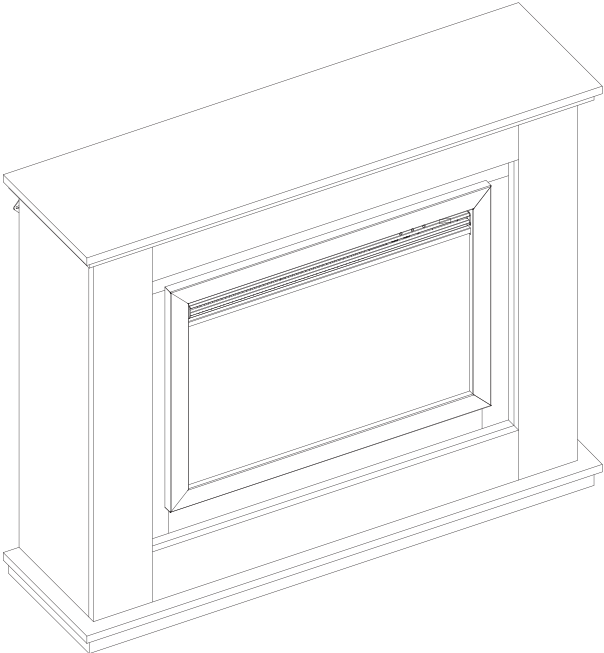
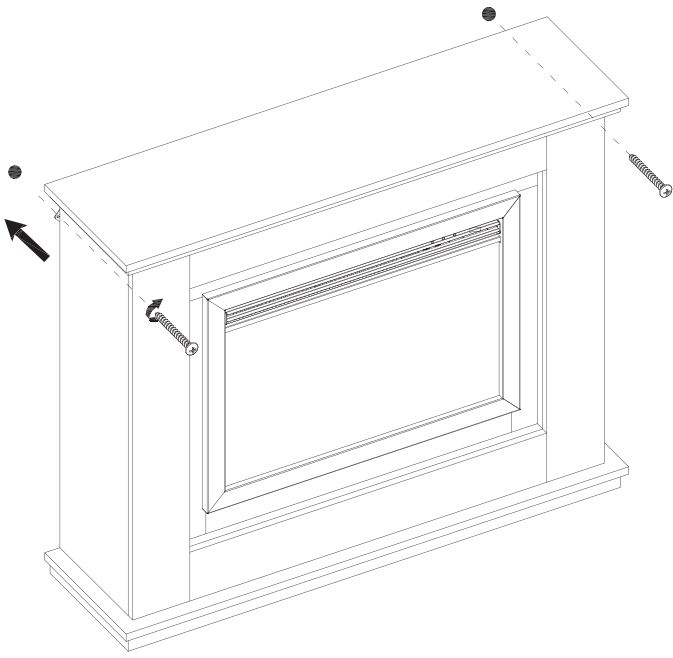
- 1** x 2
- 5** x 4
M4*12



6 x 2
M8*40



7 x 2
M4*40



Important Safety Instructions

When using this electrical appliance, basic precautions should be followed to reduce the risk of fire, electric shock, and injury to person, including the following:

- This heater must be used on an AC supply only and the voltage marked on the heater must correspond to the supply voltage.
- Do not switch the appliance on until it properly installed as described in this manual.
- The heater must not be located immediately below a socket outlet.
- Keep furniture, curtains and other flammable material at least 1 meter away from the appliance. Never closed to curtains and other combustible material, otherwise may cause risk
- Do not leave the appliance unattended during use.
- Do not leave the appliance unattended whilst connected to the mains supply.
- Keep out of reach of children and do not allow them to operate this appliance.
- This appliance is intended for household use and should not be used for industrial purposes.
- From time to time, check the cord for damage. Never use the appliance if the cord or any part of the appliance shows signs of damage.
- If the supply cord is damaged, it must be replaced by the manufacturer, its service agent or similarly qualified persons in order to avoid a hazard.
- Do not operate this appliance with a damaged plug or cord, after a malfunction or after being dropped or damaged in any way.
- Repairs to electrical appliances should only be performed by a qualified electrician. Improper repairs may place the user at serious risk.
- Do not run the mains cable under carpets, rugs etc.
- Do not allow the mains cable to hang over sharp edges or come into contact with hot surfaces.



- **WARNING:** In order to avoid overheating, do not cover the heater.
- Never immerse the product in water or any other liquids.
- Do not use this heater in the immediate surroundings of a bath, a shower or a swimming pool.
- Do not use this heater with a programmer, timer or any other device that switches the heater on automatically, since a fire risk exists if the heater is covered or positioned incorrectly.
- Do not use the appliance outdoors.
- Do not use if you have wet hands.
- Never use the appliance on or near hot surfaces.
- Do not operate with a damaged cord.
- Before cleaning the appliance, ensure it is unplugged from the power and that it is completely cooled.
- Do not clean the appliance with abrasive chemicals.
- Never use accessories that are not recommended or supplied by the manufacturer. It could cause danger to the user or damage to the appliance.
- This appliance can be used by children aged from 8 years and above and persons with reduced physical, sensory or mental capabilities or lack of experience and knowledge if they have been given supervision or instruction concerning use of the appliance in a safe way and understand the hazards involved. Children shall not play with the appliance.
- Cleaning and user maintenance shall not be made by children without supervision.
- Do not lift the appliance by the front panel.
- **CAUTION:** In order to avoid a hazard due to inadvertent resetting of the thermal cutout, this appliance must not be supplied through an external switching device, such as a timer, or connected to a circuit that is regularly switched on and off by the utility.
- **WARNING:** This heater is not equipped with a device to control the room temperature.
- Do not use this heater in small rooms when they are occupied by persons not capable of leaving the room on their own, unless constant supervision is provided.
- Children of less than 3 years should be kept away unless continuously supervised.

- Children aged from 3 years and less than 8 years shall only switch on/off the appliance provided that it has been placed or installed in its intended normal operating position and they have been given supervision or instruction concerning use of the appliance in a safe way and understand the hazards involved. Children aged from 3 years and less than 8 years shall not plug in, regulate and clean the appliance or perform user maintenance.
- **CAUTION:** some parts of this product can become very hot and cause burns. Particular attention has to be given where children and vulnerable people are present.
- Regarding the instructions for replacing lamp and installation, thanks to refer to the below paragraphs of the manual.
- Regarding the information for installation, refer to the following parts.

A. Do not use two high-power appliances in the same socket.

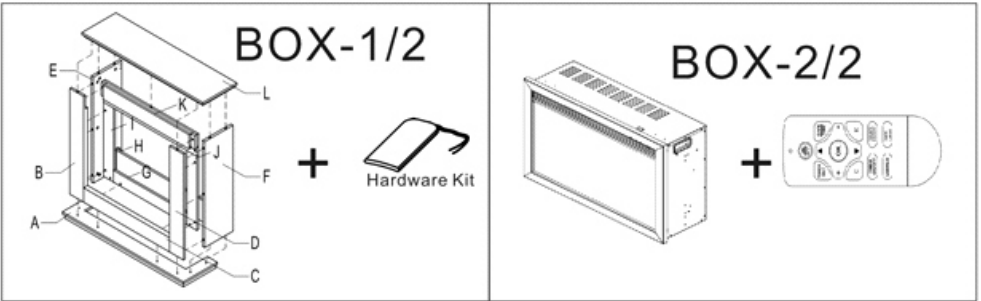
B. The plug needs to be plugged in fully.

C. Product socket cannot use extension cord.

The socket need to be conformed to BS1363, The maximum withstand current value needs to be greater than 13A (Only for UK market).

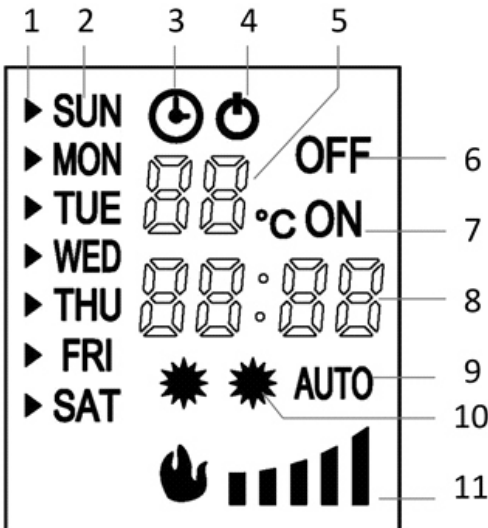
Contents of Carton

- Heater.
- Remote control.
- 1 Instruction Manual.



Instructions for Use

The appliance can be operated either by the switches located at the front right hand side above the fire or by the supplied remote control.



1	Cursor	2	Day time
3	Timer	4	Standby
5	Temperature/serial number display	6	Timer off
7	Timer on	8	Time/Temperature display
9	Automatic control of heating	10	Heating position
11	Flame brightness		

Temperature and serial number display: Normally it displays the room temperature; while setting the temperature, the setting temperature is displayed; When setting the timer, serial number is displayed.

Time/ Temperature display: Normally it displays the current time; while setting the timer, the setting time is displayed. When setting the temperature of the week timer, the setting temperature is displayed.

Time on and time off: It is displayed while setting the timer, and it is used in combination with serial number setting.

Flame brightness: It displays the current brightness of the flame, which ranges from one to five positions.

Manual Operation

This is done by operating the switches located at the front of the fire .The standby rocker switch must first be switched on, the fire will beep to indicate that it is powered up.

Press the O/I button once to turn the heater and flame effect on. A red indicator light will appear to indicate that the function is ON. Press the O/I button for 3 seconds this will operate the flame brightness setting. Hold the button down until the desired flame brightness is obtained and there will be 5 levels flame brightness available.

Press the POWER button once for the low heat setting 1000W; press twice for the high heat setting 2000W; press three to switch off the heat setting.

Press the BACK LIGHT button to adjust the colors of LED decoration, 7 colors available.

Remote Operation

The standby rocker switch located at the front of the fire must first be switched on; the fire will beep to indicate that it is powered up.

It takes a little time for the receiver to respond to the transmitter. Do not press the buttons more than once within two seconds for the fire to operate normally.

1. Boot steps

1) Connect the power

2) Turn on the power switch

3) Press the control switch or "ON/OFF" key of the remote controller to start up

4) Press the 1000W/2000W button once for the low heat setting 1000W; press twice for the high heat setting 2000W; press three to switch off the heat setting.

5) Press the DIMMER button to operate the dimmer mode, repeat pressing will raise and lower the brightness.

6) Press the BACK LIGHT button to adjust the colors of LED decoration, 7 colors available.

2. Automatic heating

Press "IC" button on the remote controller to start or exit the automatic heating.

The heater displays AUTO symbol at automatic heating status. The heater will adjust the heat settings between 1000W and 2000W automatically according to the room temperature and temperature setting. During a timed starting process, it is possible to start heating ahead of schedule.

NOTE: Maybe the heater will turn the heating on automatically prior to the set time maximum 20 minutes.

3. Setting the day and time

1) Settings are done on the remote controller

2) Press "DATE TIME" button, then press the "▲" or "▼" key to select the day

3) Press "DATE TIME" button again, then press the "+" or "-" to set the hour

4) Press "DATE TIME" button again, then press the "+" or "-" to set the minute

5) Press "OK" button to complete

4. Temperature setting

The default set temperature is 20 °C, press "+" or "-" on the remote controller to set the temperature, which ranges from 15 to 30°C. And this setting is only for the temperature in the normally mode, not for the temperature in the timer mode.

NOTE: The set temperature must be higher than the room temperature for the heat working.

5. Timer setting

1) Description of timer setting

There are up to 10 items for timer setting

Each setting item has its date, power-on time and shutdown time

The max. duration of each setting item is 23 hours 50 minutes

The setting date for each item can be any day or days of a week

The date in each setting item represents the date of power-on time

If the shutdown time of the setting falls on the second day, it is unnecessary to set the date – you just set the shutdown time

2) Steps to view the timer setting

Press the "TIMER SET" button

Press the "+" or "-" to check the power-on time of the timer one by one.

For checking the shutdown time, press the "▲" button

Press the "+" or "-" to continue viewing

For deleting the current item of setting, press "C" to delete

3) Steps for timer setting

(I) Select the settings of the serial number

Press the "TIMER SET" button, and the serial number starts blinking

Press the "+" or "-" to change the serial number until you get the serial number that you need to set or modify.

(II) Select date

Press "TIMER SET" button once again, and the cursor on the left side of day starts blinking

Press the "▲" or "▼" keys to move the cursor to the corresponding day, press the "+" to add the corresponding day, or press "-" to delete the day until you have completed the selection of all dates

(III) Set the start time

Continue to press the "TIMER SET" button, the hour starts blinking

Press the "+" or "-" to adjust the hour

Continue to press the "TIMER SET" button, the minute starts blinking

Press the "+" or "-" to adjust minute

(IV) Set the shutdown time

Then press the "TIMER SET" button, the display is off, and the hour starts blinking

Press the "+" or "-" to adjust the hour.

Continue to press the "TIMER SET" button, the minute starts blinking

Press the "+" or "-" to adjust minute

(V) Set temperature

Then press the "TIMER SET" button, and the temperature set starts blinking. At this moment, the temperature displayed is normally set temperature, which can be adjusted by pressing "+" or "-"

(VI) Press "TIMER SET" button to continue setting, and press "OK" complete the setting

6. Timer switch

"TIMER ON/OFF" is to control the timed opening and closing

Restart the machine after power is cut off, the timer setting is kept, but the current date and time must be reset

NOTE 1: Press the 1000W button or 2000W button, or IC button to active the heating when timer ON after finish a timing setting. The heater only has flame effect working if you have not selected the desired heating.

NOTE 2: Repeat the same procedures to set more timing cycles if required after the 01 timing cycle is finished.

NOTE 3: When the week timer setting is finished, "TIMER ON/OFF" function can be effective.

Safety Cut-Off

This appliance is fitted with a safety cut-off which will operate if the fire overheats (e.g. Due to blocked air vents). For safety reasons, the fire will NOT automatically reset.

To reset the appliance, disconnect the appliance from the mains supply for at least 15 minutes. Reconnect the supply to the mains and switch on the appliance.

Troubleshooting

Symptom	Solution
No operation/ no fan.	Check if put the electric plug into the socket. Check for safety cut-off operation.
No fire effect light.	Check the LED system by qualified electrician.

Cleaning and Maintenance

Warning- Always disconnect from the mains supply before cleaning heater.

For general cleaning use a soft clean duster - never use harsh abrasive or cleaners.

The glass viewing screen should be cleaned carefully with a soft cloth. DO NOT use proprietary glass cleaners.

This product does not use a standard bulb for its flame effect. The appliance uses an electronically controlled LED system to create the effect, therefore no parts need to be replaced. There are no user-serviceable parts on this appliance. Under no circumstances should the appliance be serviced by anyone other than a qualified electrician.

Disposal

At the end of the product's serviceable life it should be disposed of thoughtfully and safely in accordance with local authority regulations. The plug should be Removed from the power supply cord and the power cord cut from the heater

Technical Specification

Supply: 220-240V~ 50Hz

Rated power: 2000W

Illumination: LED system (no replaceable parts)



Meaning of crossed –out wheeled dustbin:

Do not dispose of electrical appliances as unsorted municipal waste, use separate collection facilities.

Contact you local government for information regarding the collection systems available.

If electrical appliances are disposed of in landfills or dumps, hazardous substances can leak into the groundwater and get into the food chain, damaging your health and well-being.

If you have any questions, please contact our customer care center.

Our contact details are below:



0044-800-240-4004



enquiries@mhstar.co.uk

IMPORTER ADDRESS:

MH STAR UK LTD

Unit 27, Perivale Park,

Horsenden lane South

Perivale, UB6 7RH

MADE IN CHINA

Table for information requirements for electric local space heaters.

Model identifier(s):820-195V70					
Item	Symbol	Value	Unit	Item	Unit
Heat output				Type of heat input, for electric storage local space heaters only (select one)	
Nominal heat output	P_{nom}	2.0	kW	Manual heat charge control with integrated thermostat	N/A
Minimum heat output (indicative)	P_{min}	1.0	kW	Manual heat charge control with room and/or outdoor temperature feedback	N/A
Maximum continuous heat output	P_{max}	2.0	kW	Electronic heat charge control with room and/or outdoor temperature feedback	N/A
Auxiliary electricity consumption				Fan assisted heat output	N/A
At nominal heat output	$e_{l,max}$	0.014 (fan motor)	kW	Type of heat output/room temperature control (select one)	
At minimum heat output	$e_{l,min}$	0.014 (fan motor)	kW	Single stage heat output and no room temperature control	[no]
In standby mode	$e_{l,SB}$	0.48	W	Two or more manual stages, no room temperature control	[no]
				With mechanic thermostat room temperature control	[no]
				With electronic room temperature control	[no]
				Electronic room temperature control plus day timer	[no]
				Electronic room temperature control plus week timer	[yes]
				Other control options (multiple selections possible)	
				Room temperature control, with presence detection	[no]
				Room temperature control, with open window detection	[no]
				With distance control option	[no]
				With adaptive start control	[yes]
				With working time limitation	[no]
				With black bulb sensor	[no]
Contact details:	IMPORTER ADDRESS: MH STAR UK LTD Unit 27, Perivale Park, Horsenden lane South Perivale, UB6 7RH MADE IN CHINA				
Remark:	For electric local space heaters, the measured seasonal space heating energy efficiency η_s cannot be worse than the declared value at the nominal heat output of the unit.				

Consignes Importantes de Sécurité

Lors de l'utilisation de cet appareil électrique, des précautions de base doivent être prises afin de réduire les risques d'incendie, de choc électrique et de blessures corporelles, notamment les suivantes:

- Ce foyer doit être utilisé sur une alimentation en courant alternatif uniquement et la tension indiquée sur le foyer doit correspondre à la tension d'alimentation.
- N'allumez pas l'appareil avant de l'avoir installé correctement, comme décrit dans ce manuel.
- Le foyer ne doit pas être placé immédiatement sous une prise de courant.
- Maintenez les meubles, rideaux et autres matériaux inflammables à au moins 1 mètre de l'appareil. Ne jamais fermer aux rideaux et autres matériaux combustibles, sinon cela peut causer des risques.
- Ne laissez pas l'appareil sans surveillance pendant son utilisation.
- Ne laissez pas l'appareil sans surveillance lorsqu'il est branché au réseau électrique.
- Tenir l'appareil hors de portée des enfants et ne pas leur permettre de le faire fonctionner.
- Cet appareil est destiné à un usage domestique et ne doit pas être utilisé à des fins industrielles.
- Vérifiez de temps en temps que le cordon n'est pas endommagé. N'utilisez jamais l'appareil si le cordon ou une partie de l'appareil présente des signes d'endommagement.
- Si le cordon d'alimentation est endommagé, il doit être remplacé par le fabricant, son agent de service ou des personnes de qualification similaire afin d'éviter tout danger.
- Ne faites pas fonctionner cet appareil avec une fiche ou un cordon endommagé, après un dysfonctionnement ou après une chute ou un dommage quelconque.
- Les réparations des appareils électriques ne doivent être effectuées que par un électricien qualifié. Des réparations incorrectes peuvent faire courir de graves risques à l'utilisateur.
- Ne pas faire passer le câble d'alimentation sous les tapis, les moquettes, etc.
- Ne laissez pas le câble d'alimentation pendre au-dessus d'arêtes vives ou entrer en contact avec des surfaces chaudes.

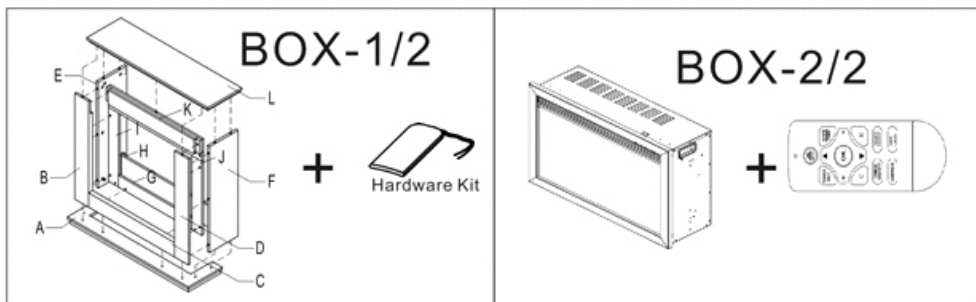


- **AVERTISSEMENT** : Afin d'éviter toute surchauffe, ne couvrez pas le foyer.
- Ne jamais immerger le produit dans l'eau ou tout autre liquide.
- N'utilisez pas ce foyer à proximité immédiate d'une baignoire, d'une douche ou d'une piscine.
- N'utilisez pas ce foyer avec un programmateur, une minuterie ou tout autre dispositif qui allume le foyer automatiquement, car il existe un risque d'incendie si le foyer est couvert ou mal positionné.
- N'utilisez pas l'appareil à l'extérieur.
- N'utilisez pas l'appareil si vous avez les mains mouillées.
- N'utilisez jamais l'appareil sur ou près de surfaces chaudes.
- Ne pas utiliser l'appareil avec un cordon endommagé.
- Avant de nettoyer l'appareil, assurez-vous qu'il est débranché du secteur et qu'il est complètement refroidi.
- Ne nettoyez pas l'appareil avec des produits chimiques abrasifs.
- N'utilisez jamais d'accessoires qui ne sont pas recommandés ou fournis par le fabricant. Cela pourrait mettre en danger l'utilisateur ou endommager l'appareil.
- Cet appareil peut être utilisé par des enfants âgés de 8 ans et plus et par des personnes dont les capacités physiques, sensorielles ou mentales sont réduites ou qui manquent d'expérience et de connaissances, à condition qu'ils soient supervisés ou qu'ils aient reçu des instructions concernant l'utilisation de l'appareil en toute sécurité et qu'ils comprennent les risques encourus. Les enfants ne doivent pas jouer avec l'appareil.
- Le nettoyage et l'entretien par l'utilisateur ne doivent pas être effectués par des enfants sans surveillance.
- Ne soulevez pas l'appareil par le panneau avant.

- **ATTENTION** : Afin d'éviter tout risque de réenclenchement par inadvertance du coupe-circuit thermique, cet appareil ne doit pas être alimenté par un dispositif de commutation externe, tel qu'une minuterie, ni raccordé à un circuit qui est régulièrement mis en marche et arrêté par le service public.
- **AVERTISSEMENT** : Ce foyer n'est pas équipé d'un dispositif de contrôle de la température ambiante.
- N'utilisez pas ce foyer dans les petites pièces lorsqu'elles sont occupées par des personnes incapables de quitter la pièce par leurs propres moyens, sauf si une surveillance constante est assurée.
- Les enfants de moins de 3 ans doivent être tenus à l'écart, à moins qu'une surveillance constante ne soit assurée.
- Les enfants âgés de 3 ans à moins de 8 ans ne peuvent allumer/éteindre l'appareil que s'il a été placé ou installé dans la position normale de fonctionnement prévue et qu'ils sont accompagnés ou ont reçu des instructions concernant l'utilisation de l'appareil en toute sécurité et comprennent les risques encourus. Les enfants âgés de 3 ans à moins de 8 ans ne doivent pas brancher, régler et nettoyer l'appareil ou effectuer l'entretien de l'utilisateur.
- **ATTENTION** : certaines parties de ce produit peuvent devenir très chaudes et provoquer des brûlures. Une attention particulière doit être accordée aux endroits où des enfants et des personnes vulnérables sont présents.
- En ce qui concerne les instructions pour le remplacement de la lampe et l'installation, merci de vous référer aux paragraphes ci-dessous du manuel.
- En ce qui concerne les instructions pour l'installation, se référer aux paragraphes suivants.

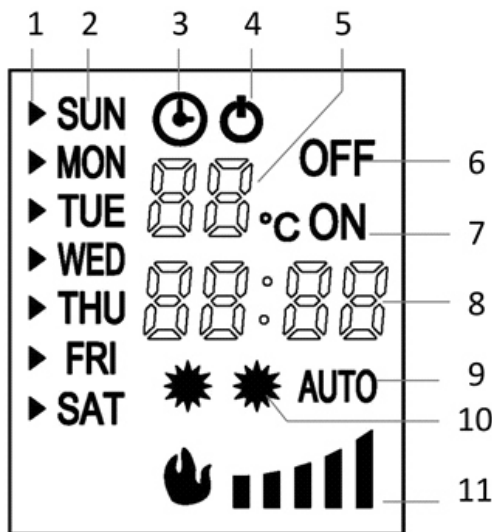
Contenu de l'emballage

- Foyer.
- Télécommande.
- 1 Manuel d'instructions.



Instructions d'utilisation

L'appareil peut être commandé soit par les touches situées à l'avant, à droite, au-dessus du feu, soit par la télécommande fournie.



1	Curseur	2	Jour et Heure
3	Minuterie	4	Veille
5	Affichage de la température/numéro de série	6	Arrêt de la minuterie
7	Minuterie activée	8	Affichage de l'heure et de la température
9	Contrôle automatique du chauffage	10	Contrôle du chauffage
11	Intensité des flammes		

Affichage de la température et du numéro de série: Normalement, il affiche la température ambiante ; lors du réglage de la température, la température de réglage est affichée ; lors du réglage de la minuterie, le numéro de série est affiché.

Affichage de l'heure et de la température: Normalement, il affiche l'heure actuelle ; lors du réglage de la minuterie, l'heure de réglage est affichée. Lors du réglage de la température de la minuterie hebdomadaire, la température de réglage est affichée.

Heure de mise en marche et d'arrêt: Il est affiché pendant le réglage de la minuterie, et il est utilisé en combinaison avec le réglage du numéro de série.

Intensité des flammes : Elle affiche la luminosité actuelle de la flamme, qui va de une à cinq positions.

Commande manuelle

Pour ce faire, il faut appuyer sur les touches situées à l'avant du foyer. La touche de veille à bascule doit d'abord être allumée, le feu émet un bip pour indiquer qu'il est sous tension.

Appuyez une fois sur le bouton O/I pour allumer le foyer et l'effet de flamme. Un témoin lumineux rouge apparaît pour indiquer que la fonction est activée. Appuyez sur le bouton O/I pendant 3 secondes ; ceci fera fonctionner le réglage de la luminosité de la flamme. Maintenez le bouton enfoncé jusqu'à ce que vous obteniez la luminosité de flamme souhaitée. Il y aura 5 niveaux de luminosité de flamme disponibles.

Appuyez une fois sur la touche POWER pour obtenir le réglage de chaleur faible 1000W ; appuyez deux fois pour obtenir le réglage de chaleur élevée 2000W ; appuyez trois fois pour éteindre le réglage de chaleur.

Appuyez sur la touche BACK LIGHT pour régler les couleurs de la décoration LED, 7 couleurs disponibles.

Commande à distance

Il faut d'abord mettre en marche la touche à bascule de veille située à l'avant du foyer ; le foyer émet un bip pour indiquer qu'il est sous tension.

Il faut un peu de temps pour que le récepteur réponde à l'émetteur. N'appuyez pas plus d'une fois sur les touches en l'espace de deux secondes pour que le feu se déclenche normalement.

1. Étapes de démarrage

1) Brancher l'alimentation

- 2) Allumer la touche d'alimentation
- 3) Appuyez sur la touche de commande ou sur la touche "ON/OFF" de la télécommande pour démarrer.
- 4) Appuyez une fois sur la touche 1000W/2000W pour le réglage de la chaleur basse 1000W ; appuyez deux fois pour le réglage de la chaleur haute 2000W ; appuyez trois fois pour éteindre le réglage de la chaleur.
- 5) Appuyez sur le bouton DIMMER (gradateur) pour faire fonctionner le mode gradateur, appuyez plusieurs fois pour augmenter et diminuer la luminosité.
- 6) Appuyez sur la touche BACK LIGHT pour régler les couleurs de la décoration LED, 7 couleurs disponibles.

2. Chauffage automatique

Appuyez sur le bouton "IC" de la télécommande pour démarrer ou quitter le chauffage automatique.

Le foyer affiche le symbole AUTO lorsque le chauffage est automatique. Le foyer ajuste automatiquement les réglages de chaleur entre 1000W et 2000W en fonction de la température de la pièce et du réglage de la température. Lors d'un démarrage programmé, il est possible de commencer le chauffage avant la date prévue.

REMARQUE : Peut-être que le foyer mettra le chauffage en marche automatiquement avant la durée programmée de 20 minutes maximum.

3. Réglage du jour et de l'heure

- 1) Les réglages se font sur la télécommande
- 2) Appuyez sur la touche "DATE TIME", puis sur la touche "▲" ou "▼" pour sélectionner le jour.
- 3) Appuyez à nouveau sur la touche "DATE TIME", puis appuyez sur la touche "+" ou "-" pour régler l'heure
- 4) Appuyez à nouveau sur la touche "DATE TIME", puis sur les touches "+" ou "-" pour régler les minutes.
- 5) Appuyez sur la touche "OK" pour terminer.

4. Réglage de la température

La température réglée par défaut est de 20°C, appuyez sur "+" ou "-" sur la télécommande pour régler la température, qui va de 15 à 30°C. Et ce réglage ne concerne que la température en mode normal, pas la température en mode minuterie.

REMARQUE: La température réglée doit être supérieure à la température ambiante pour que le chauffage fonctionne.

5. Réglage de la minuterie

1) Description du réglage de la minuterie

Il y a jusqu'à 10 éléments pour le réglage de la minuterie.

Chaque élément de réglage a sa date, son heure de mise en marche et son heure d'arrêt.

La durée maximale de chaque élément de réglage est de 23 heures 50 minutes.

La date de réglage de chaque élément peut être n'importe quel jour ou jours de la semaine.

La date de chaque élément de réglage représente la date de l'heure de mise en marche.

Si l'heure d'arrêt du réglage tombe le deuxième jour, il est inutile de régler la date - il suffit de régler l'heure d'arrêt.

2) Appuyez sur le bouton "TIMER SET".

Appuyez sur les touches "+" ou "-" pour vérifier l'heure de mise en marche de la minuterie une par une.

Pour vérifier l'heure d'arrêt, appuyez sur le bouton "▲".

Appuyez sur la touche "+" ou "-" pour poursuivre la consultation.

Pour effacer l'élément de réglage en cours, appuyez sur "C"

3) Étapes pour le réglage de la minuterie

(I) Sélectionner les réglages du numéro de série

Appuyez sur le bouton "TIMER SET", et le numéro de série commence à clignoter.

Appuyez sur "+" ou "-" pour changer le numéro de série jusqu'à ce que vous obteniez le numéro de série que vous devez régler ou modifier.

(II) Sélection de la date

Appuyez une fois de plus sur le bouton "TIMER SET", et le curseur à gauche du jour commence à clignoter.

Appuyez sur les touches "▲" ou "▼" pour déplacer le curseur sur le jour correspondant, appuyez sur le "+" pour ajouter le jour correspondant, ou appuyez sur le "-" pour supprimer le jour jusqu'à ce que vous ayez terminé la sélection de toutes les dates.

(III) Régler l'heure de départ

Continuez à appuyer sur le bouton "TIMER SET", l'heure commence à clignoter.

Appuyez sur les touches "+" ou "-" pour régler l'heure.

Continuez à appuyer sur la touche "TIMER SET", les minutes commencent à clignoter.

Appuyez sur les touches "+" ou "-" pour régler les minutes.

(IV) Régler l'heure d'arrêt

Appuyez sur la touche "TIMER SET", l'écran est éteint et l'heure commence à clignoter.

Appuyez sur les touches "+" ou "-" pour régler l'heure.

Continuez à appuyer sur la touche "TIMER SET", les minutes commencent à clignoter.

Appuyez sur les touches "+" ou "-" pour régler les minutes.

(V) Régler la température

Appuyez sur le bouton "TIMER SET", la température réglée commence à clignoter. A ce moment, la température affichée est la température normalement réglée, qui peut être ajustée en appuyant sur "+" ou "-".

(VI) Appuyez sur le bouton "TIMER SET" pour continuer le réglage, et appuyez sur "OK" pour terminer le réglage.

6. Interrupteur à minuterie

La touche "TIMER ON/OFF" permet de programmer les heures de mise en marche et d'arrêt du foyer.

Si vous redémarrez la machine après une coupure de courant, le réglage des heures de mise en marche et d'arrêt est conservé, mais la date et l'heure actuelles doivent être réinitialisées.

REMARQUE 1: Appuyez sur le bouton 1000W ou 2000W, ou sur le bouton IC pour activer le chauffage lorsque la minuterie est activée après avoir terminé le réglage du temps. Le foyer ne fonctionne que par effet de flamme si vous n'avez pas sélectionné le chauffage souhaité.

REMARQUE 2: Répétez les mêmes procédures pour régler d'autres cycles de minuterie si nécessaire après avoir terminé le cycle de minuterie 01.

REMARQUE 3: Lorsque le réglage de la minuterie hebdomadaire est terminé, la fonction "TIMER ON/OFF" peut être utilisée.

Coupe-circuit de sécurité

Cet appareil est équipé d'un dispositif de sécurité qui se déclenche en cas de surchauffe du feu (par exemple, en raison de l'obstruction des orifices d'aération). Pour des raisons de sécurité, le feu ne se réinitialisera PAS automatiquement.

Pour réinitialiser l'appareil, débranchez l'appareil du secteur pendant au moins 15 minutes. Rebranchez l'alimentation au réseau et mettez l'appareil en marche.

Dépannage

Problème	Solution
Pas de fonctionnement/ pas de ventilateur.	Vérifiez si la fiche électrique est bien branchée dans la prise. Vérifiez le fonctionnement du coupe - circuit de sécurité.
Pas de lumière à effet de feu	Vérifiez le système LED par un électricien qualifié.

Nettoyage et entretien

Avertissement - Débranchez toujours l'alimentation électrique avant de nettoyer le foyer. Pour le nettoyage général, utilisez un chiffon doux et propre - n'utilisez jamais de produits abrasifs ou de nettoyants agressifs.

L'écran de visualisation en verre doit être nettoyé soigneusement avec un chiffon doux. N'utilisez PAS de nettoyants pour verre de marque déposée.

Ce produit n'utilise pas d'ampoule standard pour son effet de flamme. L'appareil utilise un système LED contrôlé électroniquement pour créer l'effet, il n'y a donc aucune pièce à remplacer. Il n'y a aucune pièce à réparer par l'utilisateur sur cet appareil. En aucun cas, l'appareil ne doit être réparé par une personne autre qu'un électricien qualifié.

Mise au rebut

A la fin de son cycle de vie, cet appareil doit être éliminé de manière réfléchie et sûre, conformément aux réglementations locales. La fiche doit être retirée du cordon d'alimentation et le cordon d'alimentation coupé du foyer.

Spécifications techniques

Alimentation : 220-240V~ 50Hz

Puissance nominale : 2000W

Illumination : Système LED (pas de pièces remplaçables)



Signification de la poubelle à roulettes barrée :

Ne pas jeter les appareils électriques avec les déchets municipaux non triés, utiliser des installations de collecte séparée.

Contactez votre administration locale pour obtenir des informations sur les systèmes de collecte disponibles.

Si les appareils électriques sont mis au rebut dans des décharges ou des dépotoirs, des substances dangereuses peuvent s'infiltrer dans les eaux souterraines et passer dans la chaîne alimentaire, nuisant ainsi à votre santé et à votre bien-être..

Si vous avez la moindre question, veuillez contacter notre centre d'assistance à la clientèle. Nos coordonnées sont les suivantes:



0033-1-84166106



aosom@mhfrance.fr

Importé par :

MH France

2, rue Maurice Hartmann

92130 Issy-les-Moulineaux

France

Fabriqu  en Chine

Tableau des exigences en matière d'information pour les appareils de chauffage décentralisés électriques

Identificateur(s) du modèle: 820-195V90					
Article	Symbole	Valeur	Unité	Article	Unité
Production de chaleur				Type d'apport de chaleur, uniquement pour les appareils de chauffage locaux à accumulation électrique (sélectionnez-en un)	
Puissance calorifique nominale	P_{nom}	2,0	kW	Contrôle manuel de la charge thermique avec thermostat intégré	[Non applicable]
Puissance calorifique minimale (à titre indicatif)	P_{min}	1,0	kW	Contrôle manuel de la charge thermique avec rétroaction de la température ambiante et / ou extérieure	[Non applicable]
Puissance thermique continue maximale	P_{max}	2,0	kW	Contrôle électronique de la charge thermique avec rétroaction de la température ambiante et / ou extérieure	[Non applicable]
Consommation d'électricité auxiliaire				Sortie de chaleur assistée par ventilateur	[Non applicable]
À la puissance calorifique nominale	eI_{max}	0,014 (moteur de ventilateur)	kW	Type de contrôle de la puissance thermique/de la température ambiante (sélectionnez-en un)	
Au minimum de puissance thermique	eI_{min}	0,014 (moteur de ventilateur)	kW	Sortie de chaleur à un étage et pas de contrôle de la température ambiante	[non]
En mode veille	eI_{SB}	0,48	W	Deux étapes manuelles ou plus, pas de contrôle de la température ambiante	[non]
				Contrôle de la température ambiante avec thermostat mécanique	[non]
				Avec contrôle électronique de la température ambiante	[non]
				Contrôle électronique de la température ambiante et minuterie	[non]
				Contrôle électronique de la température ambiante plus minuterie hebdomadaire	[oui]
				Autres options de contrôle (sélections multiples possibles)	
				Contrôle de la température ambiante, avec détection de présence	[non]
				Contrôle de la température ambiante, avec détection de fenêtre ouverte	[non]
				Avec option de commande à distance	[non]
				Avec contrôle de démarrage adaptatif	[oui]
				Avec limitation du temps de fonctionnement	[non]
				Avec capteur d'ampoule noire	[non]
Coordonnées:	ADRESSE D'IMPORTATION: MH FRANCE 2 Rue Maurice Hartmann 92130 Issy Les Moulineaux France/ FABRIQUÉ EN CHINE				
Note: Pour les appareils de chauffage décentralisés électriques, l'efficacité énergétique saisonnière mesurée en matière de chauffage des locaux ne peut être inférieure à la valeur déclarée à la puissance calorifique nominale de l'unité.					

Importanti istruzioni di sicurezza

Quando si utilizza il presente dispositivo elettrico, devono essere seguite le ATTENZIONI di base per ridurre il rischio di incendio, scosse elettriche e lesioni personali, incluse le seguenti:

- Questo camino deve essere utilizzato solo con alimentazione AC e la tensione indicata sul Camino che deve corrispondere alla tensione di alimentazione.
- Non accendere il dispositivo finché non è stato installato correttamente come descritto in questo manuale.
- Il Camino non deve essere posizionato esattamente sotto una presa di corrente.
- Tenere mobili, tende e altro materiale infiammabile ad almeno 1 metro di distanza dal dispositivo. Mai vicino a tende e altro materiale infiammabile, altrimenti potrebbe causare rischi
- Non lasciare il dispositivo incustodito durante l'utilizzo.
- Non lasciare il dispositivo incustodito mentre è collegato alla rete elettrica.
- Tenere fuori dalla portata dei bambini e non consentire loro di utilizzare questo dispositivo.
- Questo dispositivo è destinato all'uso domestico e non deve essere utilizzato per scopi industriali.
- Verificare regolarmente che il cavo non sia danneggiato. Non utilizzare mai il dispositivo se il cavo o qualsiasi parte del dispositivo mostra segni di danneggiamento.
- In caso che il cavo di alimentazione sia danneggiato, si deve sostituirlo dal produttore, dal suo agente di servizio o da persone similmente qualificate per evitare pericoli.
- Non utilizzare questo dispositivo con una spina o un cavo danneggiati, dopo un malfunzionamento o dopo essere caduto o danneggiato in qualsiasi modo.
- Le riparazioni agli apparecchi elettrici devono essere eseguite solo da un elettricista qualificato. Riparazioni improprie possono esporre l'utente a gravi rischi.
- Non far attraversare il cavo di alimentazione sotto tappeti, moquette, ecc.
- Non lasciare che il cavo di alimentazione penda da spigoli vivi o venga a contatto con superfici calde.

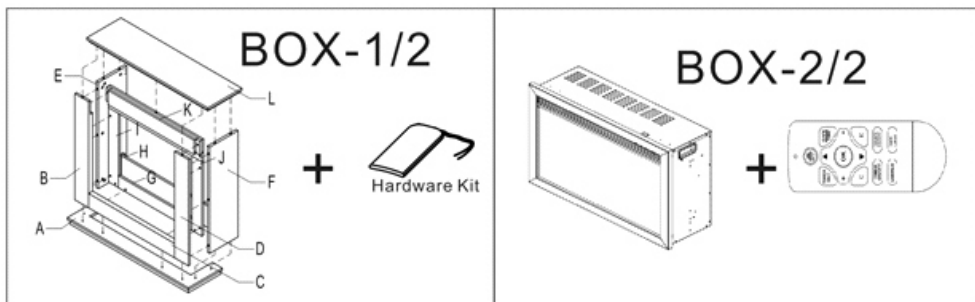


- **AVVERTENZA:** Per evitare il surriscaldamento, non coprire il Camino.
- Non immergere mai il prodotto in acqua o altri liquidi.
- Non utilizzare questo camino nelle immediate vicinanze di un bagno, una doccia o una piscina.
- Non utilizzare questo camino con un programmatore, un timer o qualsiasi altro dispositivo che accenda automaticamente il camino, perché esiste il rischio di incendio se il Camino è coperto o posizionato in modo errato.
- Non utilizzare il dispositivo all'aperto.
- Non utilizzare quando le mani sono bagnate.
- Non utilizzare mai il dispositivo sopra o vicino a superfici calde.
- Non utilizzare con un cavo danneggiato.
- Prima di pulire il dispositivo, assicurarsi che sia scollegato dall'alimentazione e che si sia completamente raffreddato.
- Non pulire il dispositivo con prodotti chimici abrasivi.
- Non utilizzare mai accessori non consigliati o forniti dal produttore. Potrebbe causare pericolo per l'utente o danni al dispositivo.
- Questo dispositivo può essere utilizzato da bambini di età pari o superiore a 8 anni e da persone con ridotte capacità fisiche, sensoriali o mentali o prive di esperienza e conoscenza, a condizione che siano sorvegliate o istruite sull'uso del dispositivo in modo sicuro e ne comprendano le pericoli coinvolti. I bambini non devono giocare con il dispositivo.
- La pulizia e la manutenzione da parte dell'utente non devono essere eseguite da bambini senza supervisione.
- Non sollevare il dispositivo dal pannello frontale.

- **ATTENZIONE:** per evitare un pericolo dovuto a un involontari ripristino dell'interruttore termico, questo dispositivo non deve essere alimentato tramite un dispositivo di commutazione esterno, come un timer, o collegato a un circuito regolarmente acceso e spento dall'utenza .
- **AVVERTENZA:** Questo camino non è dotato di dispositivo per il controllo della temperatura ambiente.
- Non utilizzare questo camino in stanze piccole quando sono occupate da persone non in grado di lasciare la stanza da sole, a meno che non sia fornita una supervisione costante.
- I bambini di età inferiore a 3 anni devono essere tenuti lontani a meno che non siano continuamente sorvegliati.
- I bambini di età compresa tra 3 anni e meno di 8 anni devono accendere/spegnere il dispositivo solo a condizione che sia stato collocato o installato nella normale posizione di funzionamento prevista e siano stati supervisionati o istruiti sull'uso del dispositivo in modo sicuro e comprendere i rischi coinvolti. I bambini di età compresa tra 3 anni e meno di 8 anni non devono collegare, regolare e pulire il dispositivo o eseguire la manutenzione dell'utente.
- **ATTENZIONE**—Alcune parti di questo prodotto possono diventare molto calde e causare ustioni. Particolare attenzione deve essere prestata dove sono presenti bambini e persone vulnerabili.
- Per quanto riguarda le istruzioni per la sostituzione della lampada e l'installazione, fare riferimento ai paragrafi seguenti del manuale.
- Per quanto riguarda le informazioni per l'installazione, fare riferimento alle istruzioni seguenti.

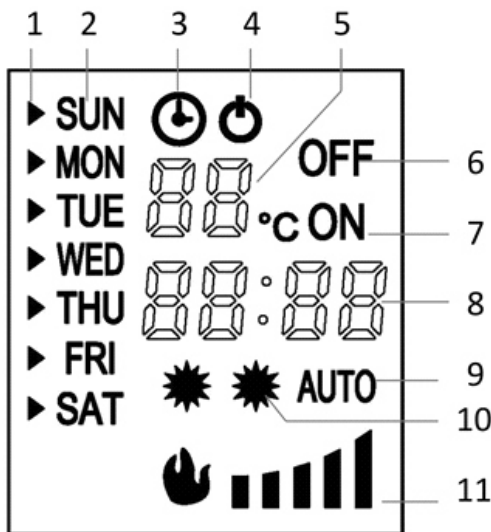
Contenuto della scatola

- Camino.
- Telecomando.
- Un Manuale d'Istruzione.



Istruzioni per l'uso

Il dispositivo può essere operato sia dall'interruttore che si trova in alto a destra del camino, sia dal telecomando in dotazione.



1	cursore	2	Giorno della settimana
3	Timer	4	Standby
5	Temperatura/Display nr. seriale	6	Timer Off
7	Timer On	8	Display Timer/Temperatura
9	Controllo automatico del riscaldamento	10	Posizione riscaldamento
11	Luminosità fiamma		

Display Temperatura/ nr. seriale: Normalmente visualizza la temperatura ambiente; durante l'impostazione della temperatura viene visualizzata la temperatura impostata; Quando si imposta il timer, viene visualizzato il numero di serie.

Display Tempo/Temperatura: Normalmente visualizza il tempo corrente; durante l'impostazione del timer, viene visualizzato il tempo di impostazione. Quando si imposta la temperatura del timer settimanale, viene visualizzata la temperatura impostata.

Timer On and Timer Off: viene visualizzato durante l'impostazione del timer e viene utilizzato in combinazione con l'impostazione del numero di serie.

Luminosità fiamma: Visualizza la luminosità attuale della fiamma che cambia con 5 livelli.

Controllo Manuale

L'operazione manuale viene fatta operando l'interruttore che si trova nella parte anteriore del camino. L'interruttore a bilanciere in attesa deve essere prima acceso, il camino emetterà un segnale acustico per indicare che è acceso.

Premere una volta il pulsante O/I per accendere il dispositivo con la funzione fuoco. Un indicatore luminoso rosso mostrerà per indicare che il fuoco è acceso. Premere il pulsante O/I per 3 secondi per attivare la modalità dimmer (regolatore di luce), tenere premuto il pulsante fino a ottenere la luminosità desiderata. ci saranno 5 livelli di Luminosità disponibili.

Premere una volta il pulsante POWER per l'impostazione a fuoco basso 1000W; premere due volte per l'impostazione di fuoco elevato 2000W; e premere tre volte per disattivare l'impostazione del riscaldamento.

Premere il pulsante BACK LIGHT per regolare i colori decorativi LED, 7 colori disponibili.

Controllo A Distanza

L'interruttore a bilanciere in attesa si trova nella parte anteriore del camino, e deve essere prima acceso, e poi il camino emetterà un segnale acustico per indicare che è acceso.

Ci vuole un po' di tempo prima che il ricevitore risponda al trasmettitore. Non premere i pulsanti più di una volta entro due secondi affinché il fuoco funzioni normalmente.

1. Passaggi di avvio

- 1) Collegare l'alimentazione
- 2) Accendere l'interruttore di alimentazione

- 3) Premere l'interruttore di comando o il tasto "ON/OFF" del telecomando per avviare
- 4) Premere una volta il pulsante 1000W/2000W per l'impostazione a fuoco basso 1000W; premere per la seconda volta per l'impostazione a fuoco elevato 2000W; premere per la terza volta per disattivare l'impostazione del riscaldamento.
- 5) Premere il pulsante DIMMER per attivare la modalità dimmer, premendo ripetutamente si aumenterà e diminuirà la luminosità.
- 6) Premere il pulsante BACK LIGHT per regolare i colori decorativi LED, 7 colori disponibili.

2. Riscaldamento automatico

Premere il pulsante "IC" sul telecomando per avviare o uscire dal riscaldamento automatico.

Il camino visualizza il simbolo AUTO allo stato di riscaldamento automatico. il Camino regolerà automaticamente le impostazioni di calore tra 1000W e 2000W in base alla temperatura ambiente e all'impostazione della temperatura. Durante un processo di avvio temporizzato, è possibile avviare il riscaldamento prima del previsto.

NOTA: Probabilmente il camino accenderà automaticamente il riscaldamento prima dell'orario impostato massimo 20 minuti.

3. Impostazione del giorno e dell'ora

- 1) Le impostazioni si fanno con il telecomando
- 2) Premere il pulsante "DATE TIME (Data/Ora)", e poi premere il tasto "▲" o "▼" per selezionare il giorno
- 3) Premere di nuovo il pulsante "DATE TIME ", e poi premere "+" o "-" per impostare l'ora
- 4) Premere di nuovo il pulsante "DATE TIME ", e poi premere "+" o "-" per impostare i minuti
- 5) Premere il pulsante "OK" per completare

4. Impostazione della temperatura

La temperatura impostata di default è 20 °C, premere "+" o "-" sul telecomando per impostare la temperatura, che va da 15°C a 30°C. E questa impostazione è solo per la temperatura in modalità normale, non per la temperatura in modalità timer.

NOTA: La temperatura impostata deve essere superiore alla temperatura ambiente per il funzionamento in riscaldamento.

5. Impostazione del Timer

1) Descrizione dell'impostazione del timer

Sono disponibili fino a 10 voci per l'impostazione del timer.

Ogni voce di impostazione ha la sua data, ora di accensione e ora di spegnimento.

La durata massima di ogni voce di impostazione è di 23 ore e 50 minuti.

La data di impostazione per ogni voce può essere uno o più giorni della settimana.

La data in ciascuna voce di impostazione rappresenta la data dell'ora di accensione.

Se l'orario di spegnimento dell'impostazione accade al secondo giorno, non è necessario impostare la data: è sufficiente impostare l'orario di spegnimento.

2) Passaggi per visualizzare l'impostazione del timer

Premere il pulsante "TIMER SET»

Premere "+" o "-" per controllare uno per uno l'orario di accensione del timer.

Per controllare l'orario di spegnimento premere il pulsante "▲".

Premere "+" o "-" per continuare la visualizzazione.

Per eliminare la voce di impostazione corrente, premere "C" per eliminare

3) Passi per l'impostazione del timer

(I) Selezionare le impostazioni del numero di serie

Premere il pulsante "TIMER SET" e il numero di serie inizia a lampeggiare.

Premere "+" o "-" per modificare il numero di serie fino a ottenere il numero di serie che hai bisogno di impostare o modificare.

(II) Selezionare data

Premere di nuovo il pulsante "TIMER SET" e il cursore sul lato sinistro del giorno inizia a lampeggiare.

Premere i tasti "▲" o "▼" per spostare il cursore sul giorno corrispondente, premere "+" per aggiungere il giorno corrispondente, oppure premere "-" per eliminare il giorno fino a quando non è stata completata la selezione di tutte le date.

(III) Impostare l'ora di inizio

Continuare a premere il pulsante "TIMER SET", l'ora inizia a lampeggiare.

Premere "+" o "-" per regolare l'ora.

Continuare a premere il tasto "TIMER SET", il minuto inizia a lampeggiare.

Premere "+" o "-" per regolare i minuti.

(IV) Impostare l'ora di spegnimento

Poi premere il pulsante "TIMER SET", il display si spegne e l'ora inizia a lampeggiare.

Premere "+" o "-" per regolare l'ora.

Continuare a premere il tasto "TIMER SET", il minuto inizia a lampeggiare.

Premere "+" o "-" per regolare i minuti.

(V) Impostare la temperatura

E poi premere il pulsante "TIMER SET" e l'impostazione di temperatura inizia a lampeggiare. In questo momento la temperatura visualizzata è normalmente la temperatura impostata, che può essere regolata premendo "+" o "-".

(VI) Premere il pulsante "TIMER SET" per continuare l'impostazione e premere "OK" per completare l'impostazione

6. Interruttore Timer

"TIMER ON/OFF" serve per controllare l'accensione e lo spegnimento temporizzati.

Riavviare il dispositivo dopo l'interruzione dell'alimentazione, l'impostazione originale viene mantenuta, ma la data e l'ora correnti devono essere reimpostate.

NOTA 1: premere il pulsante 1000W o 2000W, o il pulsante IC per attivare il riscaldamento quando il timer è ON dopo aver avuto un'impostazione di temporizzazione. Il camino funziona solo con effetto fiamme se non è stato selezionato il riscaldamento desiderato.

NOTA 2: Ripetere le stesse procedure per impostare più cicli di temporizzazione se necessario dopo che il ciclo di temporizzazione 01 è terminato.

NOTA 3: Al termine dell'impostazione del timer settimanale, la funzione "TIMER ON/OFF" può essere attiva.

Interruzione di Sicurezza

Questo apparecchio è dotato di un interruttore di sicurezza che interviene in caso di surriscaldamento del fuoco (ad es. a causa di prese d'aria ostruite). Per motivi di sicurezza, il fuoco NON si ripristinerà automaticamente.

Per ripristinare il dispositivo, scollegare il dispositivo dalla rete di alimentazione per almeno 15 minuti. Ricollegare alla rete elettrica e riaccendere il dispositivo.

Risoluzione dei problemi

Sintomo	Soluzione
Nessuna operazione / nessuna ventola.	Controllare se è stata inserita la spina nella presa elettrica. Controllare l'auto bloccaggio di sicurezza.
Nessuna luce ad effetto fuoco.	Fare controllare il sistema LED da un elettricista qualificato.

Pulizia e Manutenzione

AVVERTENZA- Scollegare sempre dalla rete elettrica prima di pulire il camino.

Per la pulizia generale, utilizzare uno spolverino morbido e pulito, non utilizzare mai oggetti abrasivi o detergenti aggressivi.

Lo schermo di visualizzazione in vetro deve essere pulito accuratamente con un panno morbido. NON utilizzare detergenti esclusivi per vetri.

Questo prodotto non utilizza una lampadina standard per il suo effetto fiamma. Il dispositivo utilizza un sistema LED a controllo elettronico per creare l'effetto, quindi non è necessario sostituire qualche parte. Non ci sono parti riparabili dall'utente su questo apparecchio. In nessun caso la manutenzione del dispositivo venisse eseguita da persone non qualificate come elettricista qualificato.

Smaltimento

Alla fine della vita utile del prodotto, questo dispositivo deve essere smaltito in modo accurato e sicuro in conformità con le normative delle autorità locali. La spina deve essere rimossa dal cavo di alimentazione e il cavo di alimentazione viene tagliato dal Camino.

Dati Tecnici

Alimentazione: 220-240V~ 50Hz

Potenza nominale: 2000W

Illuminazione: sistema LED (nessuna parte sostituibile)



Significato del barrato bidone della spazzatura con ruote:


Non smaltire i dispositivi elettrici come rifiuti urbani indifferenziati, utilizzare sistemi di raccolta differenziata.

Contatta il tuo governo locale per informazioni sui sistemi di raccolta disponibili.

Se i dispositivi elettrici vengono smaltiti in luogo di discariche o mondezzaio, sostanze pericolose possono fuoriuscire nelle acque sotterranee ed entrare nella catena alimentare, danneggiando la salute e il benessere.

In caso di dubbio, si prega di contattare il nostro centro assistenza clienti.

I nostri dettagli di contatto sono di seguito:

 0039-0249471447

 clienti@aosom.it

IMPORTATO DA:

AOSOM Italy srl

Centro Direzionale Milanofiori

Strada 1 Palazzo F1

20057 Assago (MI)

P.I.: 08567220960

FATTO IN CINA

Requisiti d'informazione per gli apparecchi di riscaldamento locali elettrici

Identificatore (i) del modello: 820-195V90					
Oggetto	Simbolo	Valore	Unità	Oggetto	Unità
Potenza termica			Questo tipo di ingresso di calore è solo per gli apparecchi di riscaldamento locali per lo stoccaggio elettrico (selezionare uno)		
Potenza termica nominale	P_{nom}	2,0	kW	controllo della carica termica manuale, con termostato integrato	[Non applicabile]
Potenza termica minima (indicativa)	P_{min}	1,0	kW	controllo manuale della carica termica con risposta sulla temperatura ambiente e / o esterno	[Non applicabile]
Massima potenza termica continua	$P_{max,c}$	2,0	kW	controllo elettronico della carica termica con risposta sulla temperatura ambiente e / o esterno	[Non applicabile]
Consumo di energia ausiliaria			potenza termica ventilata		[Non applicabile]
Alla potenza termica nominale	eI_{max}	0,014 (motore della ventola)	kW	Tipo di potenza termica / controllo della temperatura ambiente (selezionare uno)	
Alla potenza termica minima	eI_{min}	0,014 (motore della ventola)	kW	emissione di calore monostadio e controllo della temperatura ambiente	[no]
In modalità standby	eI_{SB}	0,48	W	Due o più fasi manuali, senza controllo della temperatura ambiente	[no]
				con controllo della temperatura ambiente del termostato meccanico	[no]
				con controllo elettronico della temperatura ambiente	[no]
				controllo elettronico della temperatura ambiente e contaminuti giornaliero	[no]
				controllo elettronico della temperatura ambiente e contaminuti settimanale	[si]
Altre opzioni di controllo (più selezioni possibili)					
				controllo della temperatura ambiente, con rilevamento di presenza	[no]
				controllo della temperatura ambiente, con rilevamento finestra aperta	[no]
				con opzione di controllo a distanza	[no]
				con comando di avviamento adattivo	[si]
				con limitazione tempo di lavoro	[no]
				con sensore a bulbo nero	[no]
Dettagli del contatto:	IMPORTATO DA: AOSOM Italy srl Centro Direzionale Milanofiori Strada 1 Palazzo F1 20057 Assago (MI) P.I.: 08567220960 FATTO IN CINA				
Osservazioni:					
Per gli apparecchi elettrici per il riscaldamento di un ambiente ristretto, l'efficienza energetica stagionale del riscaldamento dell'ambiente η_s misurata non può essere minore del valore dichiarato alla potenza termica nominale dell'unità.					



Aosom