



# USER MANUAL

**MCE**  
**MASTER**<sup>®</sup>  
CLIMATE SOLUTIONS

**Master Dual Voltage  
181,000 Btu Propane Heater**

**Product Code:  
E165DV**



Serial Number Range:

From:

To:

Year Of Manufacture:

**\*Please note, when ordering online via our website if the part number is not recognised,  
please Email [spares@hscgroupuk.co.uk](mailto:spares@hscgroupuk.co.uk) or Telephone 0115 946 1988**

**KEEP THIS BOOKLET FOR FUTURE REFERENCE**

Nottingham: 0115 946 1988 • London: 0208 830 3333 ✉ Nottingham: [sales@hscgroupuk.co.uk](mailto:sales@hscgroupuk.co.uk) • London: [sean@hscgroupuk.co.uk](mailto:sean@hscgroupuk.co.uk) 🌐 [www.hscgroupuk.co.uk](http://www.hscgroupuk.co.uk)

The Hire Supply Company Terms & Conditions Apply At All Time E&OE



**CLIMATE SOLUTIONS**  
**SCW**



**Dantherm S.p.A.**

Via Gardesana 11, -37010-  
Pastrengo (VR), Italy

**Dantherm Sp. z o.o.**

ul. Magazyłnowa 5A,  
62-023 Gądkı, Poland

**Dantherm LLC**

ul. Transportnaya - 22 ownership 2,  
142802, STUPINO, Moscow region, Russia

**Dantherm China LTD**

Unit 2B, 512 Yunchuan Rd.,  
Shanghai, 201906, China

**Dantherm SP S.A.**

C/Calabozos, 6 Poligono Industrial, 28108  
Alcobendas (Madrid) Spain

**Dantherm S.p.A.**

Via Gardesana 11, 37010  
Pastrengo (Verona), Italia

**Dantherm Sp. z o.o.**

ул. Магазинова, 5А,  
62-023 Гадки, Польша

**ООО «Дантерм»**

Ул. Транспортная, владение 22/2,  
142802, г.Ступино, Московская обл., РФ

**Dantherm China LTD**

Юньчуань роад, 512, строение 2В,  
Шанхай, 201906, Китай

**Dantherm SP S.A.**

Ц/Калабозос, 6 Полигоно Индустриал,  
28108 Алкобендас (Мадрид) Испания

en	USER AND MAINTENANCE BOOK
it	LIBRETTO USO E MANUTENZIONE
de	BEDIENUNGS- UND WARTUNGSANLEITUNG
es	MANUAL DE INSTRUCCIONES PARA EL USO Y MANTENIMIENTO
fr	MANUEL D'UTILISATION ET DE MAINTENANCE
nl	HANDLEIDING VOOR GEBRUIK EN ONDERHOUD
pt	MANUAL DE USO E MANUTENÇÃO
da	VEJLEDNING OM BRUG OG VEDLIGEHOLDELSE
fi	KÄYTTÖ- JA HUOLTO-OHJE
no	HEFTE FOR BRUK OG VEDLIKEHOLD
sv	ANVÄNDAR- OCH UNDERHÅLLSHANDBOK
pl	INSTRUKCJA OBSŁUGI I KONSERWACJI
ru	РУКОВОДСТВО ПО ЭКСПЛУАТАЦИИ И ТЕХНИЧЕСКОМУ ОБСЛУЖИВАНИЮ
cs	PŘÍRUČKA PRO POUŽÍTELE A ÚDRŽBU
hu	HASZNÁLATI ÉS KARBANTARTÁSI KÉZIKÖNYV
sl	PRIROČNIK Z NAVODILI ZA UPORABO IN VZDRŽEVANJE
tr	KULLANIM VE BAKIM KİTAPÇIĞI
hr	KNJIŽICA O UPORABI I ODRŽAVANJU
lt	NAUDOJIMO IR PRIEŽIŪROS KNYGELĖ
lv	LIETOŠANĀS UN TEHNISKĀS APKOPES GRĀMATIŅA
et	KASUTUS- JA HOOLDUSJUHEND
ro	MANUAL DE UTILIZARE ŞI ÎNTREȚINERE
sk	PRÍRUČKA PRE POUŽITEĽA ÚDRŽBU
bg	НАРЪЧНИК ЗА ИЗПОЛЗВАНЕ И ПОДДРЪЖКА
uk	КЕРІВНИЦТВО З ЕКСПЛУАТАЦІЇ І ТЕХНІЧНОГО ОБСЛУГОВУВАННЯ
bs	KNJIŽICOM O UPOTREBI I ODRŽAVANJU
el	ΕΓΧΕΙΡΙΔΙΟ ΧΡΗΣΗΣ ΚΑΙ ΣΥΝΤΗΡΗΣΗΣ
zh	使用和维护手册
kk	ПАЙДАЛАҢУ ЖӘНЕ ТЕХНИКАЛЫҚ ҚЫЗМЕТ КӨРСЕТУ ЖЕТЕКШІЛІГІ

BLP 11  
BLP 16  
BLP 17M  
BLP 26  
BLP 27








BLP 27M  
BLP 33M  
BLP 53M  
BLP 73M


BLP 26DV  
BLP 33DV  
BLP 53DV  
BLP 73DV  
BLP 103M DV

BLP 33E  
BLP 53E  
BLP 73E  
BLP 103E

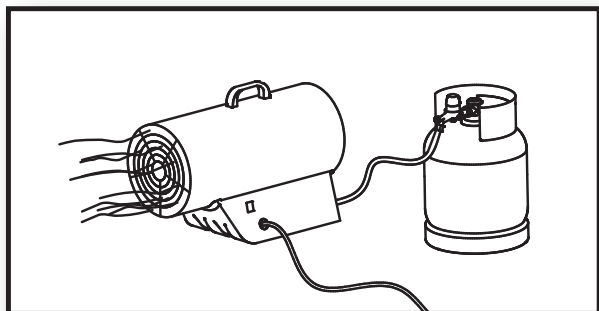
BLP 27ET  
BLP 33ET  
BLP 53ET  
BLP 73ET  
BLP 103ET

TECHNICAL DATA - DATI TECNICI - TECHNISCHE DATEN - DATOS TÉCNICOS - DONNÉES TECHNIQUES - TECHNISCHE GEGEVENS - DADOS TÉCNICOS - TEKNISCHE DATA - TEKNISSET TIEDOT - TEKNISCHE DATA - TEKNISKA DATA - DANE TECHNICZNE - **ТЕХНИЧЕСКИЕ ДАННЫЕ** - TECHNICKÉ ÚDAJE - **MŰSZAKI ADATOK** - **TEHNIČNI PODATKI** - **TEKNİK VERİLER** - **TEHNIČKI PODACI** - TECHNINIAI DUOMENYS - TEHNISKIE DATI - TEHNILISED ANDMED - DATE TEHNICE - TECHNICKÉ ÚDAJE - **ТЕХНИЧЕСКИ ДАНИ** - **ТЕХНІЧНІ ДАНІ** - **TEHNIČKI PODACI** - **ТЕХНІКА ДАДОМЕНА** - 技术参数 - **ТЕХНИКАЛЫҚ КӨРСЕТКІШТЕР**

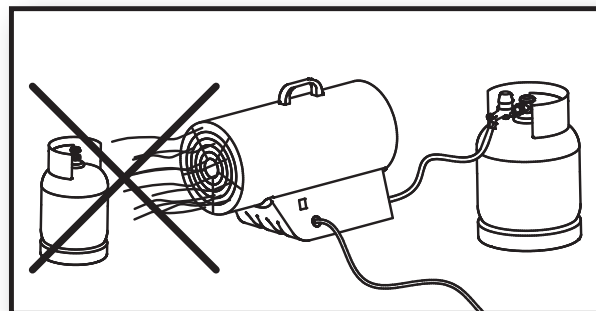
	<b>BLP 26DV</b>	<b>BLP 33DV</b>	<b>BLP 53DV</b>	<b>BLP 73DV</b>	<b>BLP 103M DV</b>
	~110/240 V-B 50 Hz-Гц  0,71/0,54 A 81/124 W-Вт	~110/240 V-B 50 Hz-Гц  0,71/0,54 A 81/124 W-Вт	~110/240 V-B 50 Hz-Гц  0,90/0,56 A 103/128 W-Вт	~110/240 V-B 50 Hz-Гц  1,64/0,98 A 188/225 W-Вт	~110/240 V-B 50 Hz-Гц  3/1,2 A 330/300 W-Вт
 MAX	<b>33 kW-кВт</b> 28.400 kcal/h-ккал/ч 112.800 Btu/h-БТЕ/ч	<b>33 kW-кВт</b> 28.400 kcal/h-ккал/ч 112.800 Btu/h-БТЕ/ч	<b>53 kW-кВт</b> 45.600 kcal/h-ккал/ч 181.000 Btu/h-БТЕ/ч	<b>73 kW-кВт</b> 62.800 kcal/h-ккал/ч 249.300 Btu/h-БТЕ/ч	<b>103 kW-кВт</b> 88.600 kcal/h-ккал/ч 351.700 Btu/h-БТЕ/ч
 MIN		<b>18 kW-кВт</b> 15.500 kcal/h-ккал/ч 61.500 Btu/h-БТЕ/ч	<b>36 kW-кВт</b> 31.000 kcal/h-ккал/ч 123.000 Btu/h-БТЕ/ч	<b>49 kW-кВт</b> 42.100 kcal/h-ккал/ч 167.100 Btu/h-БТЕ/ч	<b>57 kW-кВт</b> 49.000 kcal/h-ккал/ч 194.500 Btu/h-БТЕ/ч
	2,4 kg/h-кг/ч	2,4 kg/h-кг/ч	3,78 kg/h-кг/ч	5,02 kg/h-кг/ч	6,66 kg/h-кг/ч
	1.000 m³/h-м³/ч	1.000 m³/h-м³/ч	1.450 m³/h-м³/ч	2.300 m³/h-м³/ч	3.260 m³/h-м³/ч
	1.500 mbar-мбар	750÷1.500 mbar-мбар			750÷2.000 mbar-мбар
	150 kPa-кПа	75÷150 kPa-кПа			75÷200 kPa-кПа
	I3B/P				
	ΔT 1,5m-м:<70K IP 44				

 **IMPORTANT:** In order to have a correct function you must use an electrical generator in class G3 or more (frequency variation ±1%, tension variation ±2%). The maximum power of electrical generator must be three time the nominal power of device that you must connect.

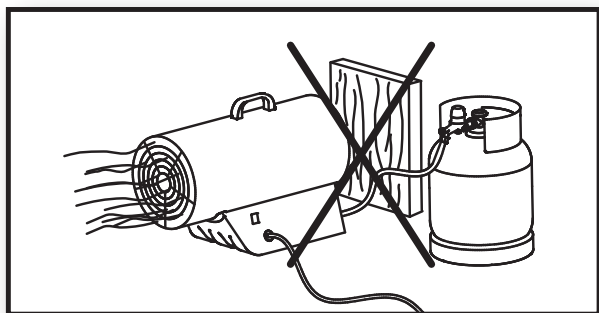
**PICTURES - FIGURE - ABBILDUNGEN - FIGURAS - FIGURES - FIGUREN - FIGURAS - FIGURER - KUVAT - FIGURER - FIGURER - ILUSTRACJE - ИЛЛЮСТРАЦИИ - OBRÁZKY - ÁBRÁK - SLIKE - ŞEKİLLER - SLIKE - ILIUSTRACIJOS - ΑΤΤΕΛΙ - JOONISED - IMAGINI - OBRÁZKY - СХЕМИ - МАЛЮНКИ - SLIKE - ΕΙΚΟΝΕΣ - 图示 - СУРЕТТЕМЕЛЕР**



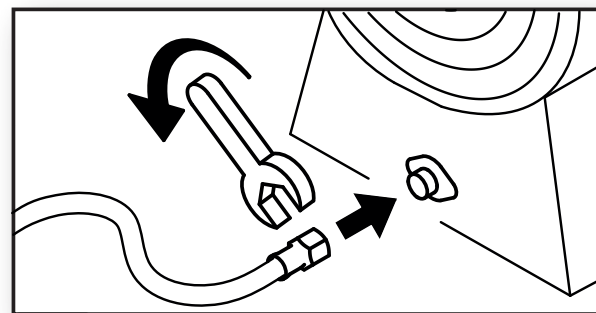
1



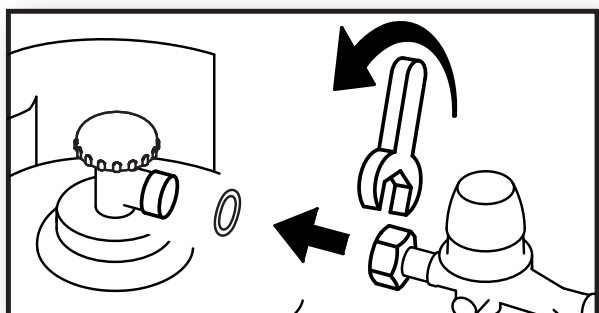
2



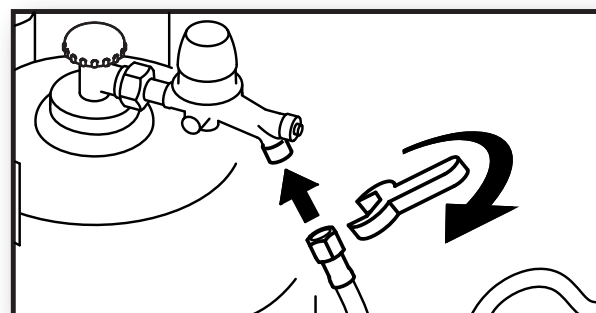
3



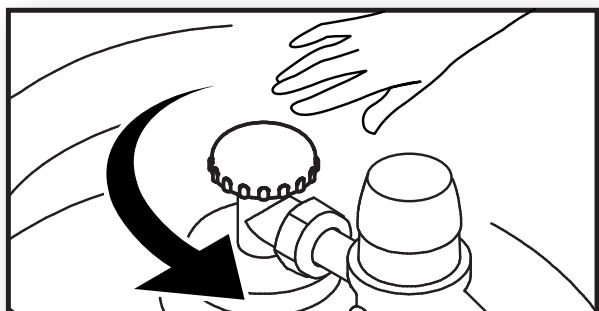
4



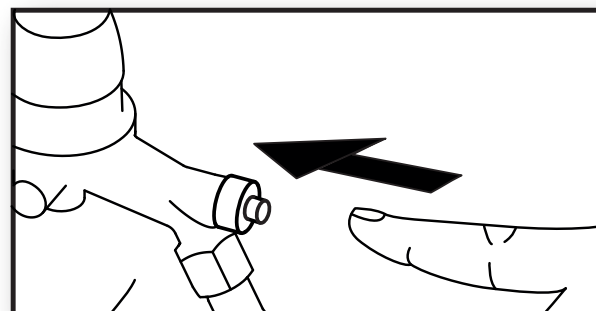
5



6

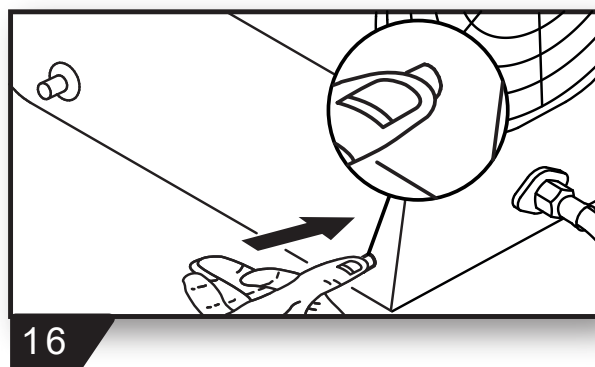
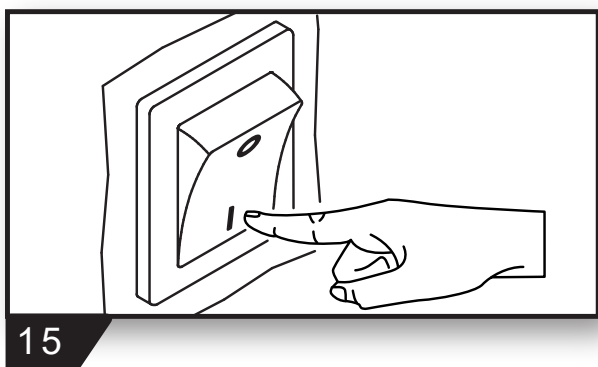
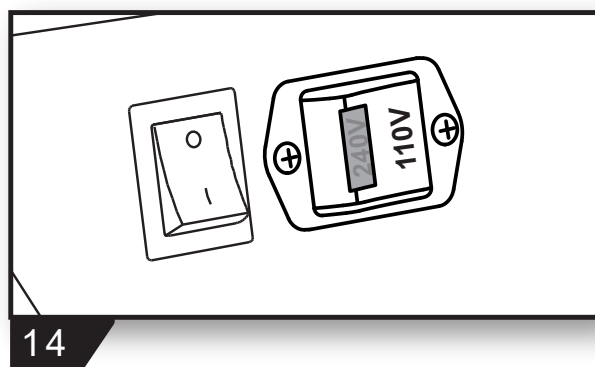
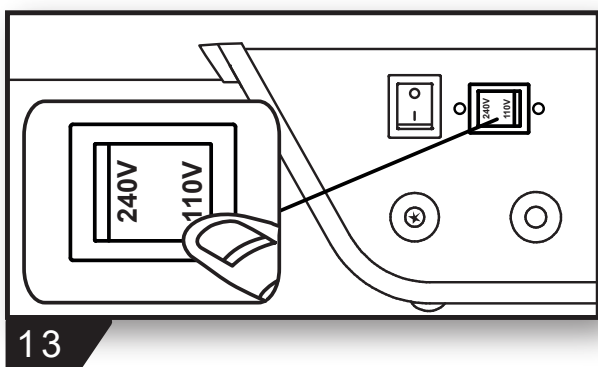
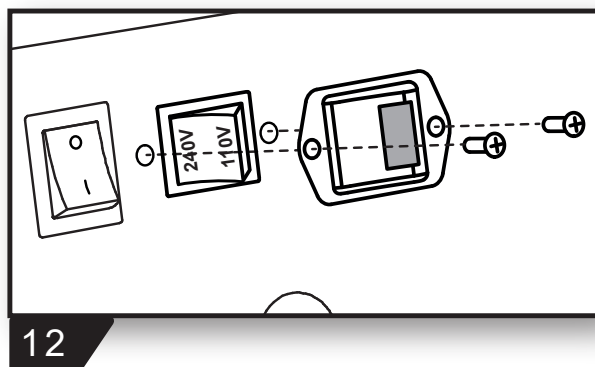
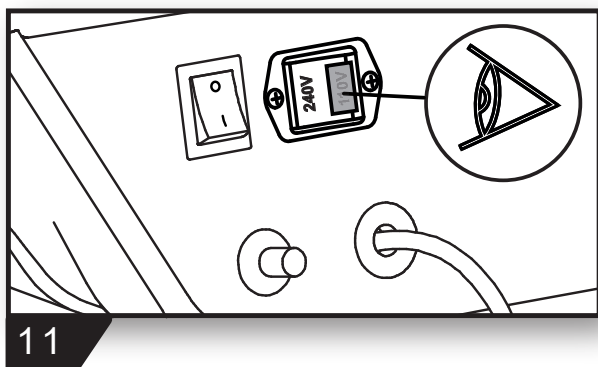
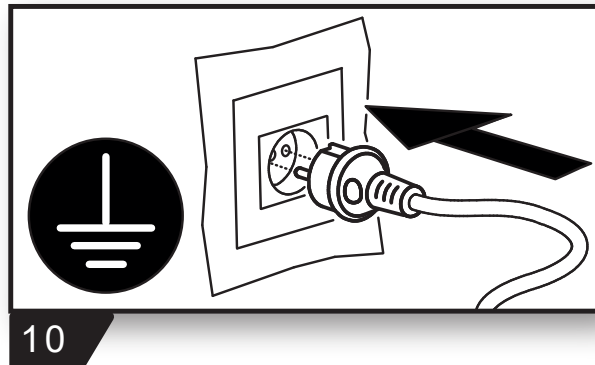
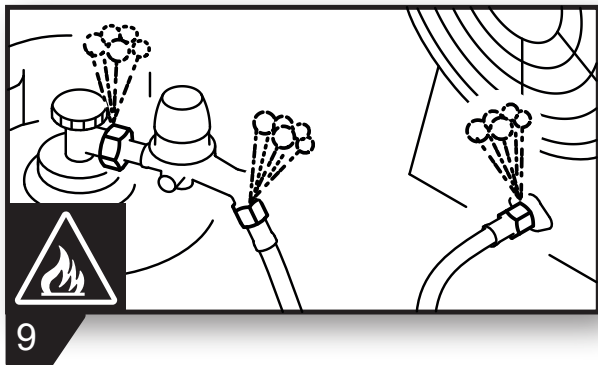


7

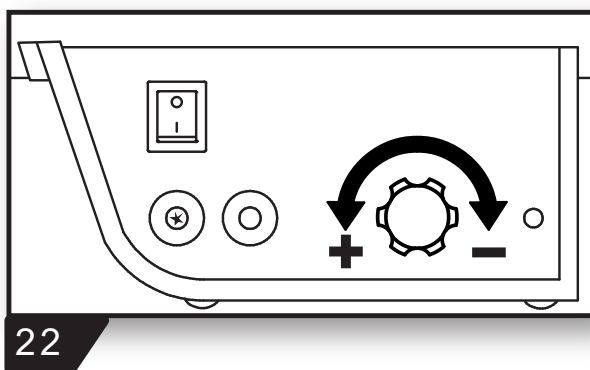
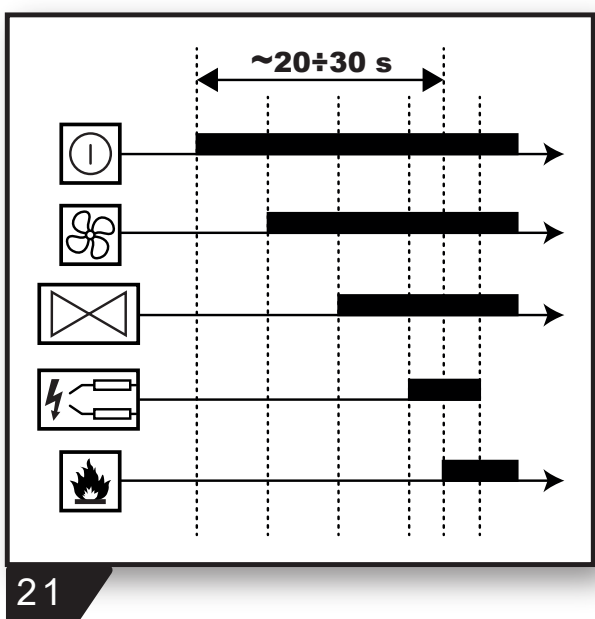
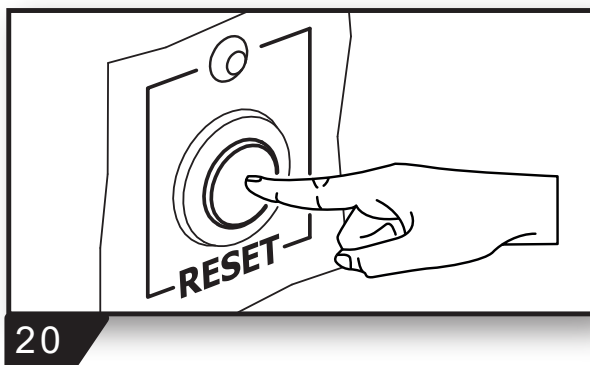
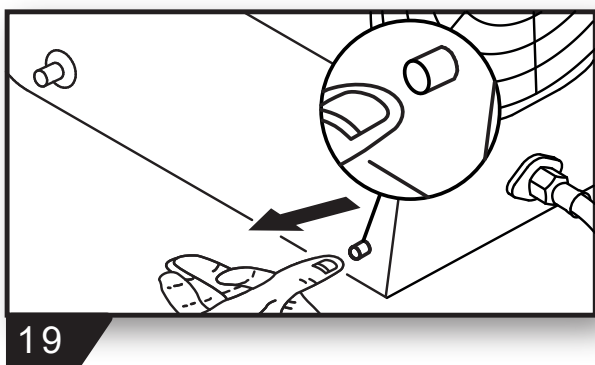
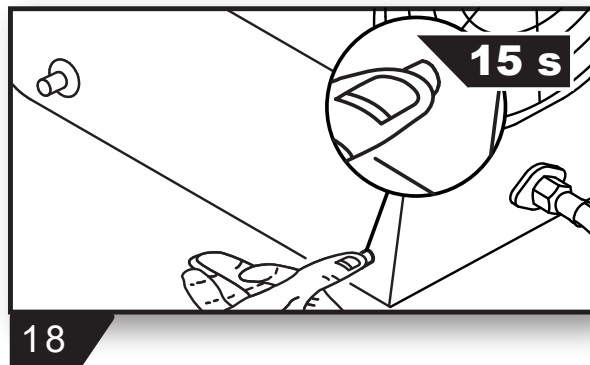
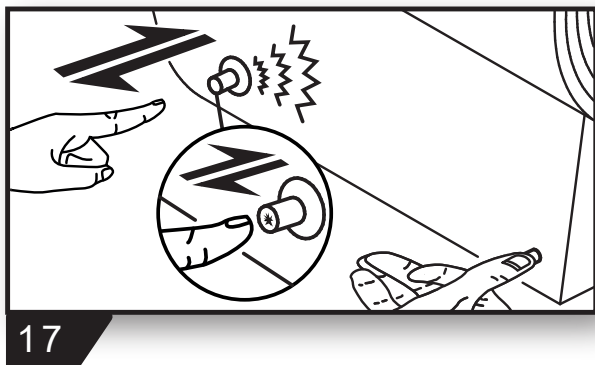


8

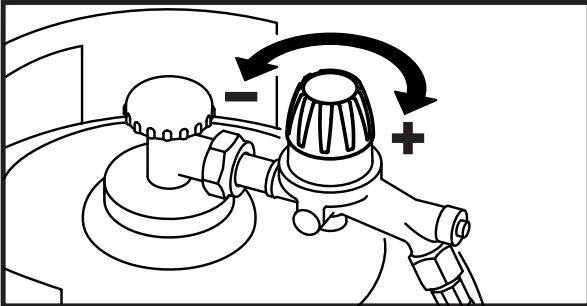
**PICTURES - FIGURE - ABBILDUNGEN - FIGURAS - FIGURES - FIGUREN**  
- FIGURAS - FIGURER - KUVAT - FIGURER - FIGURER - ILUSTRACJE  
- **ИЛЛЮСТРАЦИИ** - OBRÁZKY - ÁBRÁK - SLIKE - **ŞEKİLLER** - SLIKE -  
ILIUSTRACIJOS - **ΑΤΤΕΛΙ** - JOONISED - IMAGINI - OBRÁZKY - **СХЕМИ** -  
**МАЛЮНКИ** - SLIKE - **ΕΙΚΟΝΕΣ** - 图示 - **СУРЕТТЕМЕЛЕР**



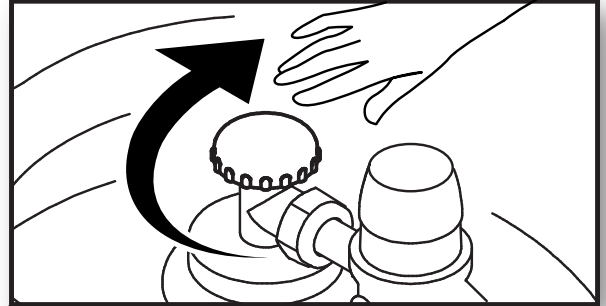
**PICTURES - FIGURE - ABBILDUNGEN - FIGURAS - FIGURES - FIGUREN - FIGURAS - FIGURER - KUVAT - FIGURER - FIGURER - ILUSTRACJE - ИЛЛЮСТРАЦИИ - OBRÁZKY - ÁBRÁK - SLIKE - ŞEKİLLER - SLIKE - ILIISTRACIJOS - ΑΤΤΕΛΙ - JOONISED - IMAGINI - OBRÁZKY - СХЕМИ - МАЛЮНКИ - SLIKE - ΕΙΚΟΝΕΣ - 图示 - СУРЕТТЕМЕЛЕР**



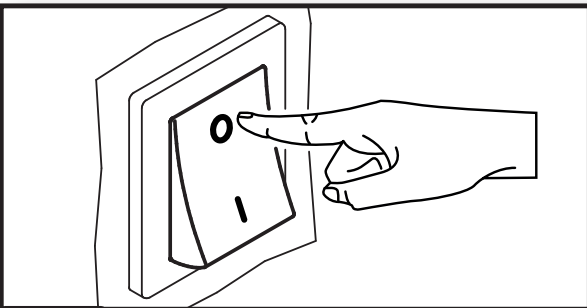
**PICTURES - FIGURE - ABBILDUNGEN - FIGURAS - FIGURES - FIGUREN**  
- FIGURAS - FIGURER - KUVAT - FIGURER - FIGURER - ILUSTRACJE  
- **ИЛЛЮСТРАЦИИ** - OBRÁZKY - ÁBRÁK - SLIKE - **ŞEKİLLER** - SLIKE -  
ILUSTRACIJOS - **ΑΤΤΕΛΙ** - JOONISED - IMAGINI - OBRÁZKY - **СХЕМИ** -  
**МАЛЮНКИ** - SLIKE - **ΕΙΚΟΝΕΣ** - 图示 - **СУРЕТТЕМЕЛЕР**



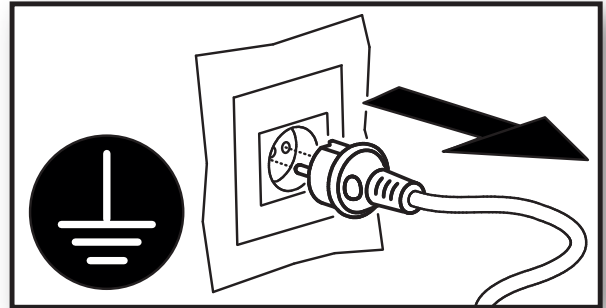
23



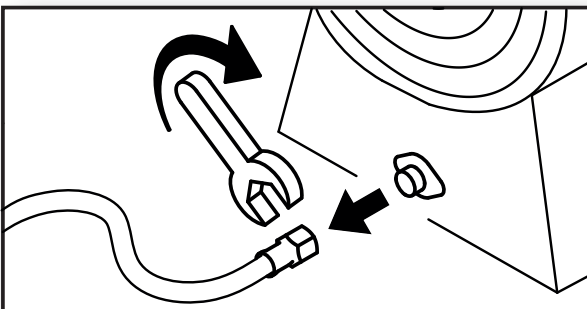
24



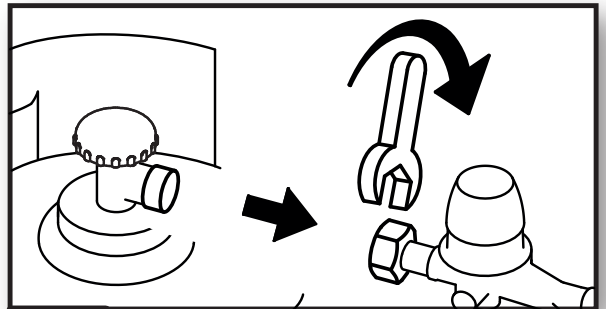
25



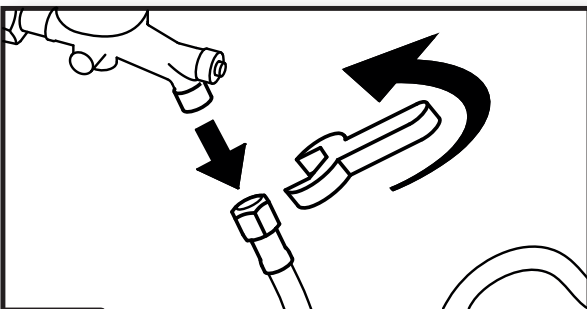
26



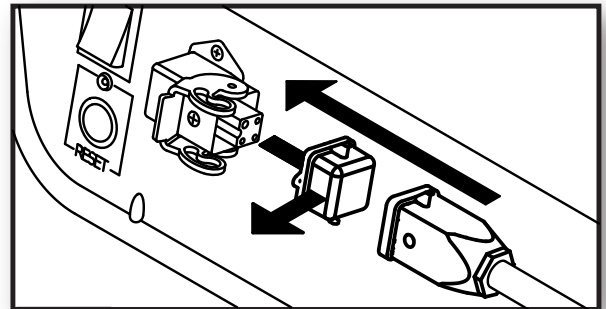
27



28



29



30

## PARAGRAPH SUMMARY

1...	DESCRIPTION
2...	WARNINGS
3...	TYPE OF FUEL
4...	CONNECTION AND REPLACEMENT OF THE GAS CYLINDER
5...	CONNECTION TO THE MAINS ELECTRICITY
6...	IGNITION FOR MANUAL MODELS (... / ...M / ...DV / ...M DV)
7...	IGNITION FOR ELECTRONIC MODELS (...E / ...ET)
8...	HEAT CAPACITY REGULATION
9...	SWITCH-OFF FOR MANUAL MODELS (... / ...M / ...DV / ...M DV)
10...	SWITCH-OFF FOR ELECTRONIC MODELS (...E / ...ET)
11...	CLEANING AND MAINTENANCE
12...	ROOM THERMOSTAT CONNECTION (...E / ...ET)
13...	TROUBLESHOOTING

**IMPORTANT: READ AND UNDERSTAND THIS OPERATIONAL MANUAL BEFORE PERFORMING ASSEMBLY, COMMISSIONING OR MAINTENANCE ON THIS HEATER. INCORRECT USE OF THE HEATER CAN CAUSE SERIOUS INJURY. KEEP THIS MANUAL FOR FURTHER REFERENCE.**

### ►► 1. DESCRIPTION

This heater is a portable air heater functioning with liquid gas, characterised by the total use of the fuel, by heat exchange due to direct mixing of the intake air and the combustion products. It has a practical handle for easier transport and handling. The appliance is manufactured in compliance with the EN 1596 Standard.

### ►► 2. WARNINGS

►⚠️ **IMPORTANT:** This air heater has been designed for mobile and temporary professional applications. It has not been designed for domestic use nor for thermal comfort of human.

►⚠️ **IMPORTANT:** Do not use to heat homes and residential buildings; for use in public buildings, refer to national regulations.

►⚠️ **IMPORTANT:** This appliance is not suitable for use by persons (including

children) with reduced physical, sensory and mental capacities or with lack of experience or knowledge unless supervised by a person responsible for their safety. Children must be supervised to make sure they do not play with the appliance. Keep animals at a safe distance from the appliance.

►⚠️ **IMPORTANT:** Improper use of this heater can cause damage, injuries, burns, explosions, electric shock **poisoning or endanger life. The first symptoms of suffocation by carbon monoxide are similar to those of flu** with headache, light-headedness and/or nausea. These symptoms could be caused by the faulty functioning of the heater. **IF THESE SYMPTOMS SHOULD OCCUR, GO OUTDOORS IMMEDIATELY** and have the heater repaired by the technical after-sales assistance.



▶ **⚠ IMPORTANT:** All cleaning, maintenance and repairs that envision access to dangerous parts (such as replacement of a damaged power supply cable) must be performed by the manufacturer, by its technical after-sales service, by a person with similar **qualification, in a way to prevent all risks, even if disconnection from the mains power supply is envisioned.**

▶ **⚠ IMPORTANT:** Do not use the heater if damaged. In case of any damage, contact the after-sales assistance.

▶ 2.1. For correct use of the heater and for preservation of the fuel, follow all local regulations and the Standard in force.

▶ 2.2. The heater requires suitable fresh air in order to function. It is therefore used outdoors or in rooms with assured and continuous supply of fresh air. Good airing is supplied when the volume of the room is calculated on the heat capacity, using the formula of 1 m<sup>3</sup> every 100 W of power. In no case the recommended volume of the room must be smaller than 100 m<sup>3</sup>. Good ventilation is guaranteed by an opening that satisfies the formula stating 25 cm<sup>2</sup> per kW of heat power, with minimum of 250 cm<sup>2</sup>, equally divided between the upper and lower part of the room. National Standards in force are valid for installation, including the Technical Standards and the provisions regarding accident-prevention and the prevention of fires.

▶ 2.3. The appliance must only be used as a hot air heater (heating mode) or fan (ventilation mode, for models that envision this functionality). Follow these instructions scrupulously.

▶ 2.4. The Manufacturer declines all liability for damage/injury to objects/persons deriving from improper use of the appliance.

▶ 2.5. Only power the heater using the type of fuel expressly specified and with current having the voltage and frequency

indicated on the data plate applied to the heater.

▶ 2.6. Make sure the heater is only connected to suitable electric networks with differential switch and suitable earth.

▶ 2.7. Only use extensions with suitable section, appropriately connected to earth.

▶ 2.8. The heater must function on a stable level and fire-proof surface, in a way to prevent the risk of fire.

▶ 2.9. It is prohibited to use the appliance in basements and rooms below ground level.

▶ 2.10. The heater must not be used in places where explosive dusts, fumes, gases, fuels, solvents and paints are present.

▶ 2.11. Whenever the heater is used in proximity of tarpaulin, awnings or similar covering materials, it is considered to use additional fire-proof protections. Make sure the hot parts of the heater are kept at a suitable distance from inflammable materials (material, paper, wood, etc.) or thermolabile materials (including the power supply cable), which in no case is less than 2,5 m.

▶ 2.12. Position the gas cylinder in a protected position, behind the appliance (Pic. 1). The heater must never face the gas cylinder (Pic. 2).

▶ 2.13. The air vent (rear side) and/or the air outlet vent (front side) cannot be totally or partially obstructed for any reason (Pic. 3). Do not use any air ducting from or to the heater. Make sure air intake slots, present on the bottom of the base, are not obstructed (for models using this solution).

▶ 2.14. If the heater does not switch on or switch-on is anomalous, consult the relative section (Par. 13. "TROUBLESHOOTING").

▶ 2.15. The heater must never be moved, handled or subjected to any maintenance interventions when it is running.

▶ 2.16. In any condition of use or appliance standstill, make sure that the flexible gas

en hose is not damaged (crushed, bent, twisted, taught).

▶2.17.If the smell of gas is perceived, switch the appliance off immediately, close the gas cylinder, disconnect the mains plug and then contact the after-sales assistance.

▶2.18.If the gas hose must be replaced, only use the flexible type suitable for the pressure used, referring to national regulations. The gas hose must measure 1,5 m.

▶2.19.When the appliance is controlled by a room thermostat (optional article), the heater can switch back on at any time i.e. when the temperature drops below the threshold set.

▶2.20.When it is not used, disconnect the heater from the network plug, close the gas supply, disconnect the gas hose from the heater and plug the gas inlet on the heater.

▶2.21.Have the after-sales assistance check correct functioning of the heater at least once a year and/or according to need.

### ▶▶3. TYPE OF FUEL

Use category I3B/P gas only.

### ▶▶4. CONNECTION AND REPLACEMENT OF THE GAS CYLINDER

The gas cylinder must be replaced in the open air, away from heat sources, in an atmosphere without flames.

Only the following accessories must be used for connection of the gas cylinder to the heater:

- Liquid gas flexible pipe.
- Liquid gas pressure regulator complete with safety valve.

CHECK THE INTEGRITY OF THE GAS SUPPLY PIPE. IF THE GAS HOSE MUST BE REPLACED, ONLY USE THE FLEXIBLE TYPE SUITABLE FOR THE

PRESSURE USED, REFERRING TO NATIONAL REGULATIONS.

▶To connect the heater to the gas cylinder:

ATTENTION: ALL THREADING IS SINISTRAL, I.E. THEY ARE TIGHTENED IN AN ANTI-CLOCKWISE DIRECTION.

▶4.1.Screw the gas hose to the heater fitting (Pic. 4).

▶4.2.Install the pressure regulator on the gas cylinder. Make sure there is a gasket present on the regulator (if envisioned by the type of connection) (Pic. 5).

▶4.3.Connect the gas hose to the pressure regulator (Pic. 6).

▶4.4.Open the gas cylinder cock (Pic. 7).

▶4.5.Press the regulator release button (Pic. 8).

**Check tightness of fittings** using soapy water: bubbles indicate a gas leak (Pic. 9). Several gas cylinders can be fitted together to obtain greater autonomy. The use of 30 kg gas cylinders is recommended, up to heating capacity of 33 kW. Over the power of 33 kW use gas cylinders with greater capacity. The use of gas cylinders with suitable capacity is recommended in order to prevent problems due to lack **of gasification of the fuel**. The correct functioning pressure (see data plate applied to the heater) is given by the regulator supplied or an equivalent model.

### ▶▶5. CONNECTION TO THE MAINS ELECTRICITY CHECK YOUR ELECTRIC SYSTEM IS EARTHED CORRECTLY.

Before connecting the heater to the mains electricity, make sure that the power supply voltage and frequency are correct (see data plate applied to the heater). The connection to the mains electricity (Pic. 10) must be made in compliance with the National Standards in force.

▶▶ 6. IGNITION FOR MANUAL MODELS (... / ...M / ...DV / ...M DV)  
**IMPORTANT:** For ...DV / ...M DV models, check the position of the transformer switch (220-240V / 110-120V) (Pic. 11). If the voltage set on the appliance does not correspond to that supplied by the mains, the voltage must be adapted. Loosen the 2 lid screw fasteners (Pic. 12), shift the switch onto the voltage value supplied (Pic. 13) and re-mount the lid (Pic. 14).

VERIFY THE CONGRUENCE BETWEEN POWER TENSION SUPPLY, SETTING OF DUAL VOLTAGE SWITCH AND TYPE OF PLUG, BECAUSE IMPROPER USE MAY CAUSE DAMAGE TO THE HEATER.

### ● 6.1. HEATING MODE:

▶ 6.1.1. Take the “O/I” switch to position “I” (Pic. 15).

▶ 6.1.2. Press the gas button fully home and hold it down (Pic. 16).

▶ 6.1.3. Activate the piezoelectric igniter fully home and repeatedly (Pic. 17), keeping the gas button pressed (Pic. 16).

▶ 6.1.4. After ignition of the flame, hold the gas button down for about 15 s (Pic. 18).

▶ 6.1.5. Release the gas button (Pic. 19).

In the event of a power cut or if there is no gas supply, the appliance will switch off. The heater does not switch back on automatically. It must be switched on manually by repeating the switch-on procedure.

If the appliance does not switch on, consult the relative section (Par. 13. “TROUBLESHOOTING”).

### ● 6.2. VENTILATION MODE:

The heater can also be used as a fan. Connect the heater to the mains electricity (Pic. 10) and take the “O/I” switch to position “I” (Pic. 15).

N.B.: With the heater functioning in heating mode, before passing to ventilation mode, carry out the correct **switch off sequence for the manual models** [Par. 9. “SWITCH-OFF FOR MANUAL MODELS (... / ...M / ...DV / ...M DV)”].

### ▶▶ 7. IGNITION FOR ELECTRONIC MODELS (...E / ...ET)

▶ 7.1. Take the “O/I” switch to position “I” (Pic. 15).

▶ 7.2. Press the “RESET” button (Pic. 20). The heater starts the analysis sequence and the flame ignites after about 20÷30 s (see functioning layout Pic. 21).

In the event of a power cut or if there is no gas supply, the appliance will switch off. The heater does not switch back on automatically. It must be switched on manually by pressing the “RESET” button (Pic. 20).

If the appliance does not switch on, consult the relative section (Par. 13. “TROUBLESHOOTING”).

**ATTENTION:** If the heater stops due to the intervention of the room thermostat (optional article), the appliance will switch back on automatically when the temperature drops below the threshold set.

### ▶▶ 8. HEAT CAPACITY REGULATION

Depending on the type of heater, the appliance heat capacity can be regulated. The heat capacity can be regulated by acting on the knob positioned on the base of the heater (Pic. 22) or on the pressure regulator installed on the gas cylinder (Pic. 23), depending on the model.

### ▶▶ 9. SWITCH-OFF FOR MANUAL MODELS (... / ...M / ...DV / ...M DV)

▶ 9.1. Close the gas cylinder (Pic. 24).

► 9.2. Leave the fan to cool for about 60 s, in order to prevent internal damage due to overheating (heater internal cooling).

► 9.3. Take the “O/I” switch to position “O” (Pic. 25).

► 9.4. Disconnect the heater from the mains electricity (Pic. 26).

► 9.5. Disconnect the heater from the gas supply pipe (Pic. 27-28-29).

## ►► 10. SWITCH-OFF FOR ELECTRONIC MODELS (...E / ...ET)

► 10.1. Take the “O/I” switch to position “O” (Pic. 25). The flame goes out and the heater performs the post-ventilation phase. Wait for the cycle to be completed in order to prevent internal damage due to overheating (the phase is automatic and can last 50 s÷5 min depending on the internal/external temperature at the heater).

► 10.2. Close the gas cylinder (Pic. 24).

► 10.3. Disconnect the heater from the mains electricity (Pic. 26).

► 10.4. Disconnect the heater from the gas supply pipe (Pic. 27-28-29).

N.B.: Do not disconnect the heater from the mains electricity, before the end of the post-ventilation phase, in order to prevent internal damage due to overheating.

## ►► 11. CLEANING AND MAINTENANCE

Have the after-sales assistance check correct functioning of the heater at least once a year and/or as required. The appliance must be cleaned before it is put away after use.

► 11.1. Before starting any type of maintenance, care and repairs of the appliance, carry out the switch-off sequence [Par. 9. “SWITCH-OFF FOR MANUAL MODELS (... / ...M / ...DV / ...M DV)” or “10. SWITCH-OFF FOR ELECTRONIC MODELS (...E / ...ET)"].

► 11.2. Cleaning only concerns the air vent (rear side) of the heater.

► 11.3. When the appliance is used again, check the state of integrity of the gas hose and power supply cable. If in doubt regarding their integrity, request the assistance of the technical after-sales service.

► 11.4. Do not carry out unauthorised interventions.

## ►► 12. ROOM THERMOSTAT CONNECTION (...E / ...ET) (optional)

Remove the plug connected to the appliance and connect the room thermostat (optional) (Pic. 30).

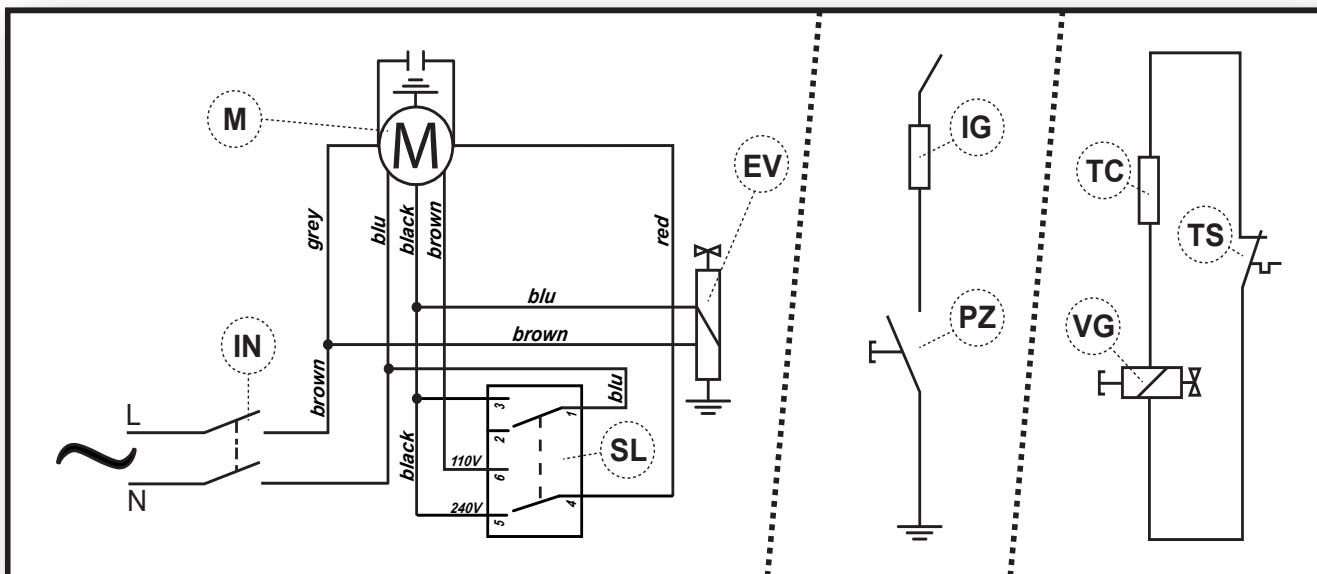
See wiring diagram (...E / ...ET).

## ►► 13. TROUBLESHOOTING

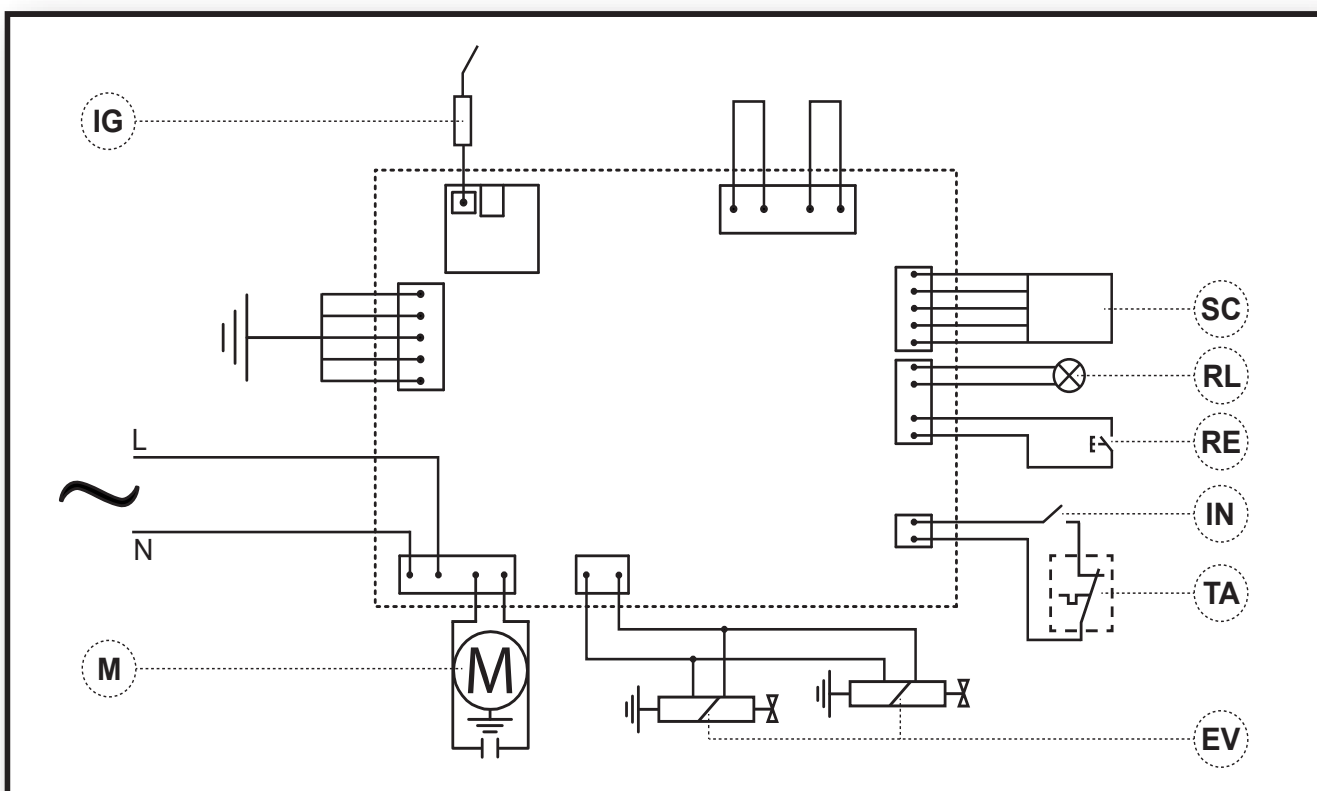
en

FUNCTIONING ANOMALIES	... ...M ...DV ...M DV	...E ...ET	CAUSES	SOLUTIONS
The motor does not start	X	X	No voltage	1°Check the mains system 2°After-sales assistance
	X	X	Power supply cable faulty/damaged	After-sales assistance
	X	X	Faulty motor	After-sales assistance
		X	Incorrect connection of the room thermostat	Connect the room thermostat correctly
The flame does not ignite	X	X	Gas cylinder empty	Replace the gas cylinder (Par. 4)
	X	X	Regulator safety valve blocked	1°Press the regulator gas release button (Pic. 8) 2°After-sales assistance
	X	X	Gas cylinder cock closed	Open the gas cylinder cock (Pic. 7)
	X	X	Faulty ignition circuit	After-sales assistance
		X	Inefficient earthing	Check your system is earthed correctly
The flame does not stay on	X		Gas button not pressed for long enough	Press the gas button for longer (Par. 6.1.4.)
	X	X	Faulty heater	After-sales assistance
Flame goes out during functioning	X	X	Insufficient gas supply	1°Replace the gas cylinder (Par. 4) 2°After-sales assistance
	X	X	No gasification of the fuel	Use gas cylinders with suitable capacity (Par. 4)
	X	X	Appliance overheating	1°Clean the air vent (rear side) 2°After-sales assistance
	X	X	Faulty heater	After-sales assistance

ELECTRIC SYSTEM - **IMPIANTO ELETTRICO** - ELEKTRISCHE ANLAGE - **INSTALACIÓN ELÉCTRICA** - INSTALLATION ELECTRIQUE - ELEKTRISCHE INSTALLATIE - SISTEMA ELÉTRICO - **EL-ANLÆG** - **SÄHKÖLAITTEISTO** - ELEKTRISK ANLEGG - ELANORDNING - INSTALACJA ELEKTRYCZNA - **ЭЛЕКТРОПРОВОДКА** - **ELEKTRICKÉ ZAŘÍZENÍ** - ELEKTROMOS RENDSZER - **ELEKTRIČNA NAPELJAVA** - **ELEKTRİK TESİSATI** - **ELEKTRIČNI UREĐAJ** - ELEKTROS SISTEMA - **ELEKTRISKĀ SISTĒMA** - ELEKTRISÜSTEEM - **INSTALAȚIA ELECTRICĂ** - ELEKTRICKÉ ZARIADENIE - **ЭЛЕКТРИЧЕСКА ИНСТАЛАЦИЯ** - **ЭЛЕКТРИЧНЕ ОБЛАДНАННЯ** - **ELEKTRIČNI UREĐAJ** - ΗΛΕΚΤΡΙΚΗ ΕΓΚΑΤΑΣΤΑΣΗ - 电路系统 - **ЭЛЕКТРЖЕЛІСІ**



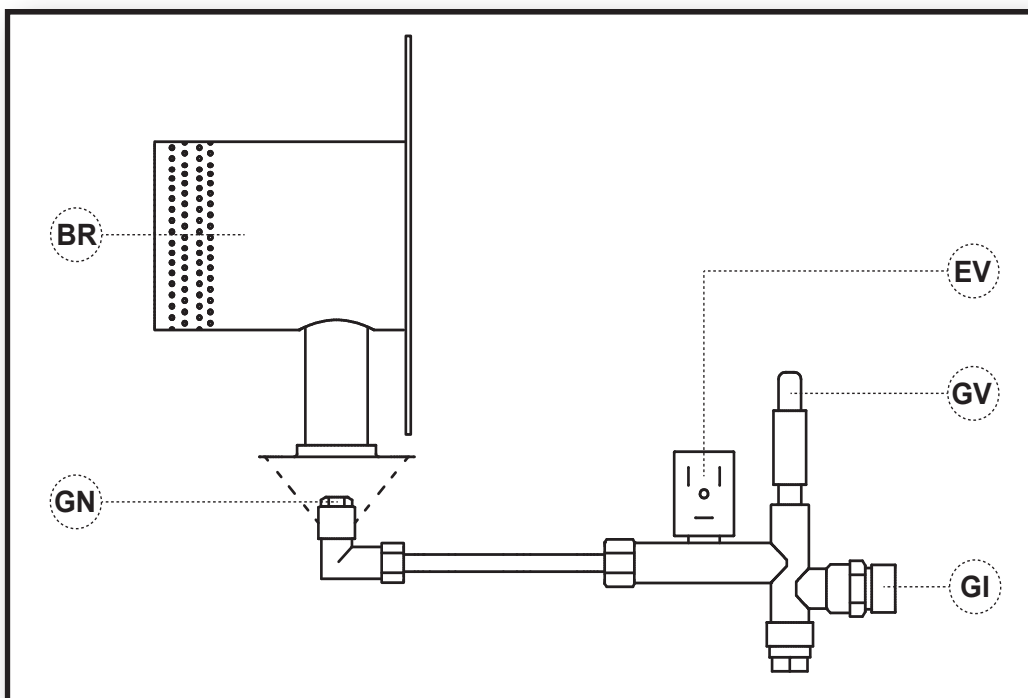
**BLP 26DV - BLP 33DV - BLP 53DV - BLP 73DV - BLP 103M DV**



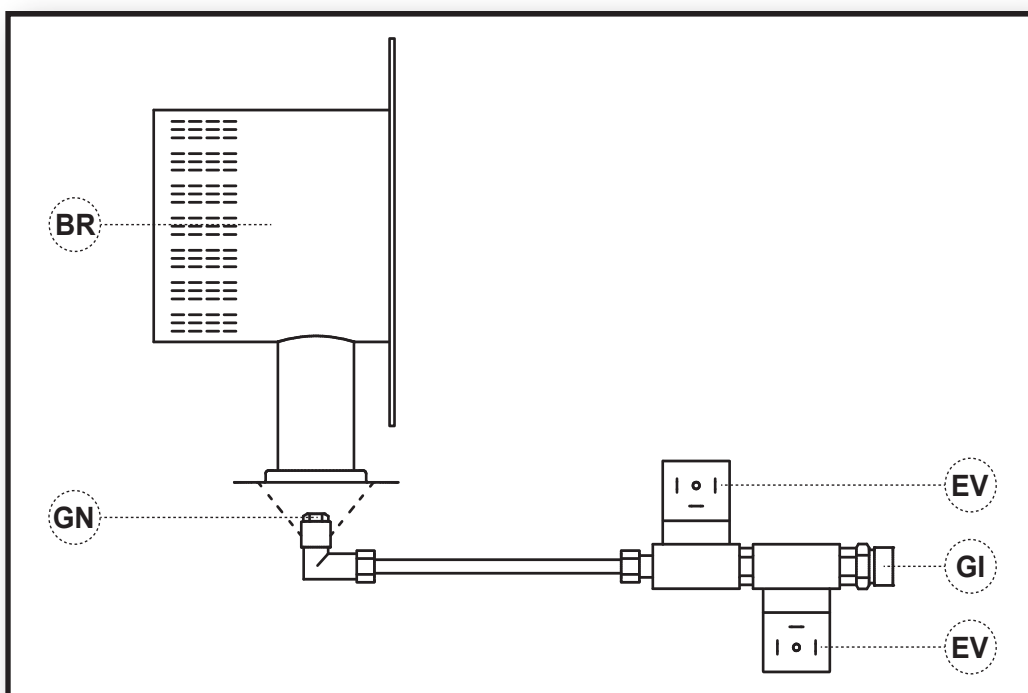
**BLP 33E - BLP 53E - BLP 73E - BLP 103E**

<b>IN</b>	Switch - Interruttore - Schalter - Interruptor - Interrupteur - Schakelaar - Interruptor - Afbryder - Katkaisin - Bryter - Brytare - Włącznik - Включатель - Вырiнач - Kapcsoló - Stikalo - Açma kapama düğmesi - Prekidač - Jungiklis - Slēdzis - Lüliiti - Întreupător - Вырiнач - Прекъсвач - Вимикач - Prekidač - Διακόπτης - 开关 - Қосқыш
<b>M</b>	Motor - Motore - Motor - Motor - Moteur - Motor - Motor - Motor - Moottori - Motor - Motor - Silnik - Двигатель - Motor - Motor - Motor - Motor - Motor - Motor - Variklis - Dzinējs - Mootor - Motor - Motor - Двигател - Двигун - Motor - Κινητήρας - 电机 - Мотор
<b>EV</b>	Solenoid valve - Elettrovalvola - Elektroventil - Electroválvula - Électrovalve - Elektroklep - Eletroválvula - Magnetventil - Solenoidiventtiili - Magnetventil - Magnetventil - Zawór elektromagnetyczny - Соленоид - Elektrický ventil - Mágnesszelep - Elektromagnetni ventil - Elektrovalf - Električni ventil - Elektrinis vožtuvas - Elektrovārsts - Solenoidventiil - Electrovalvă - Elektrický ventil - Електроклапан - Электроклапан - Električni ventil - Ηλεκτροβαλβίδα - 电磁阀 - Электромагнитті клапан
<b>IG</b>	Igniter - Accenditore - Anzünder - Encendedor - Allumeur - Ontsteker - Acendedor - Tænder - Sytytin - Tenner - Tändare - Zapalnik - Зажигатель - Zapalovač - Begyújtó kacsoló - Vžigalo - Ateşleyici - Uraljač - Uždegiklis - Uguns slēdzis - Süütur - Aprinzător - Zapalovač - Запалване - П'єзоелектричний - Uraljač - Έναυσμα - 点火器 - Воспламенитель
<b>PZ</b>	Piezoelectric - Piezoelettrico - Piezoelektrisch - Piezoeléctrico - Piézoélectrique - Piézoelektrisch - Piezoeléctrico - Piezoelektrisk - Pietosāhkō - Piezoelektrisk - Pizoelektrisk - Piezoelektryczny - Пьезоэлектрический - Piezoelekt. komp. - Pizoelektromos kacsoló - Piezoelektrično vžigalo - Piezoelektrik - Piezoelektrični dio - Pjezoelektrinis įtaisas - Pjezoelektriskā ierīce - Piesoelektriline - Piezoelectric - Piezoelekt. komp. - Пьезоэлектрическа - Запальник - Piezoelektrični - Πιεζοηλεκτρικό - 压电开关 - Пьезоэлектрические
<b>TC</b>	Thermocouple - Termocoppia - Thermoelement - Termopar - Thermocouple - Thermokoppel - Termopar - Thermoelement - Lämpöpari - Thermoelement - Thermoelement - Przewód termoelektryczny - Термоэлектрический провод - Termočlánek - Hőelem - Termočlen - Isılçift - Termopar - Termopora - Thermoelements - Thermoelement - Termocuplu - Termočlánok - Термодвойка - Термопара - Termopar - Θερμοστοιχείο - 热电偶 - Термопара
<b>VG</b>	Gas valve - Valvola gas - Gasventil - Válvula de gas - Soupape de gaz - Gasklep - Válvula do gás - Gasventil - Kaasuventtiili - Gassventil - Gasventil - Zawór gazu - Вентиль газа - Plynový ventil - Gázszelep - Plinski ventil - Gaz vanası - Plinski ventil - Dujų vožtuvas - Gāzes vārsts - Gaasiklapp - Valvă gaz - Plynový ventil - Газов клапан - Газовий клапан - Plinski/gasni ventil - Βαλβίδα φυσικού αερίου - 燃气阀门 - Газ клапаны
<b>TS</b>	Safety thermostat - Termostato sicurezza - Sicherheitsthermostat - Termostato de seguridad - Thermostat de sécurité - Veiligheidsthermostaat - Termóstato de segurança - Sikkerhedsthermostat - Turvatermostaatti - Sikkerhetsthermostat - Säkerhetsthermostat - Termostat bezpieczeństwa - Термостат безопасности - Bezpečnostní termostat - Biztonsági termosztát - Varnostni termostat - Emniyet termostati - Sigurnosni termostat - Apsaugos termostatas - Drošības termostats - Ohutustermostaat - Termostat de siguranță - Bezpečnostný termostat - Предпазен термостат - Запобіжний термостат - Sigurnosni termostat - Θερμοστάτης ασφαλείας - 过热保护 - Қауіпсіздік термостат
<b>SC</b>	Control sensor - Sensore di controllo - Kontrollsensor - Sensor de control - Senseur de contrôle - Controlesensor - Sensor de control - Kontrollsensor - Ohjauanturi - Kontrollsensor - Kontrollsensor - Czuinik kontrolny - Контрольный датчик - Kontrolní senzor - Vezérlő érzékelő - Kontrolni senzor - Kontrol sensörü - Sensor za kontrolu - Valdymo jutiklis - Kontroles sensors - Kontrollandur - Sensor de control - Kontrolný senzor - Контролен сензор - Світлодіодний - Sensor kontrolle - Αισθητήρας ελέγχου - 控制感应器 - бақылау датчик
<b>RL</b>	LED - Led - LED - Led - Led - Led - Led - Led - Led-lys - Led-valo - Led - Led - LED - Жидкокристаллический индикатор ЖК - Led - Led - LED lučka - Led ışığı - Ind.svjetlo - Šviesos diodas - Led - Led - Led - Led - Индикатор - Контрольный датчик - Led - Led - LED - Жарық диодты индикатор
<b>RE</b>	Reset - Reset - Reset - Reset - Redémarrage - Reset - Reset - Reset - Reset - Reset - Reset - RESET - RESET - Reset - Reset - Ponastavitev - Reset - Reset - Reset - Reset - Reset - Reset - Reset - Reset - Reset - Reset - Reset - Reset - 复位 - Reset
<b>TA</b>	Room thermostat - Termostato ambiente - Raumthermostat - Termostato ambiente - Thermostat d'ambiance - Omgevingsthermostaat - Termóstato ambiente - Rumtermostat - Huonetermostaatti - Romtermostat - Rumstermostat - Termostat pokojowy - Комнатный термостат - Termostat prostředí - Szobatermosztát - Sobni termostat - Oda termostati - Ambijentalni termostat - Aplinkos termostatas - Vides termostats - Ümbritseva keskkonna termostaat - Termostat ambiental - Termostat prostredia - Печет - Термостат температури зовнішнього середовища - Ambijentalni termostat - Θερμοστάτης περιβάλλοντος - 温控器 - Room термостат
<b>SL</b>	Transformer - Cambiatensione - Spannungsänderung - Cambia tensión - Régulateur de tension - Spanningsomschakeling - Permutador de tensão - Transformer - Jännityksen vaihdin - Transformator - Spänningsomkopplare - Transformator - Трансформатор - Změna napětí - Feszültségváltó kacsoló - Stikalo za preklop napetosti - Gerilim değıştirici - Izmjenjivač napona - Įtampoms keitiklis - Sprieguma mainītājs - Pingemuundur - Schimbător de tensiune - Zmena napätia - Смяна напрежение - Перемикач напруги - Transformator napona - Αλλαγή τάσης - 变压器 - Трансформатор

**GAS PLANT - IMPIANTO GAS - GASANLAGE - INSTALACIÓN DE GAS -**  
**SYSTÈME À GAZ - GASINSTALLATIE - SISTEMA DO GÁS - GAS-ANLÆG**  
**- KAASULAITTEISTO - GASSANLEGG - GASANORDNING - INSTALACJA**  
**GAZOWA - ГАЗОВАЯ СИСТЕМА - PLYNOVÉ ZAŘÍZENÍ - GÁZ HÁLÓZAT**  
**- PLINSKI SISTEM - GAZ TESİSATI - UREĐAJ NA PLIN - DUJU SISTEMA**  
**- GĀZES SISTĒMA - GAASISŪSTEEM - INSTALAȚIA DE GAZ - PLYNOVÉ**  
**ZARIADENIE - ГАЗОВА ИНСТАЛАЦИЯ - ГАЗОВЕ ОБЛАДНАННЯ -**  
**PLINSKI/GASNI UREĐAJ - ΕΓΚΑΤΑΣΤΑΣΗ ΦΥΣΙΚΟΥ ΑΕΡΙΟΥ - 供气图 -**  
**ГАЗ ЖҮЙЕСІ**



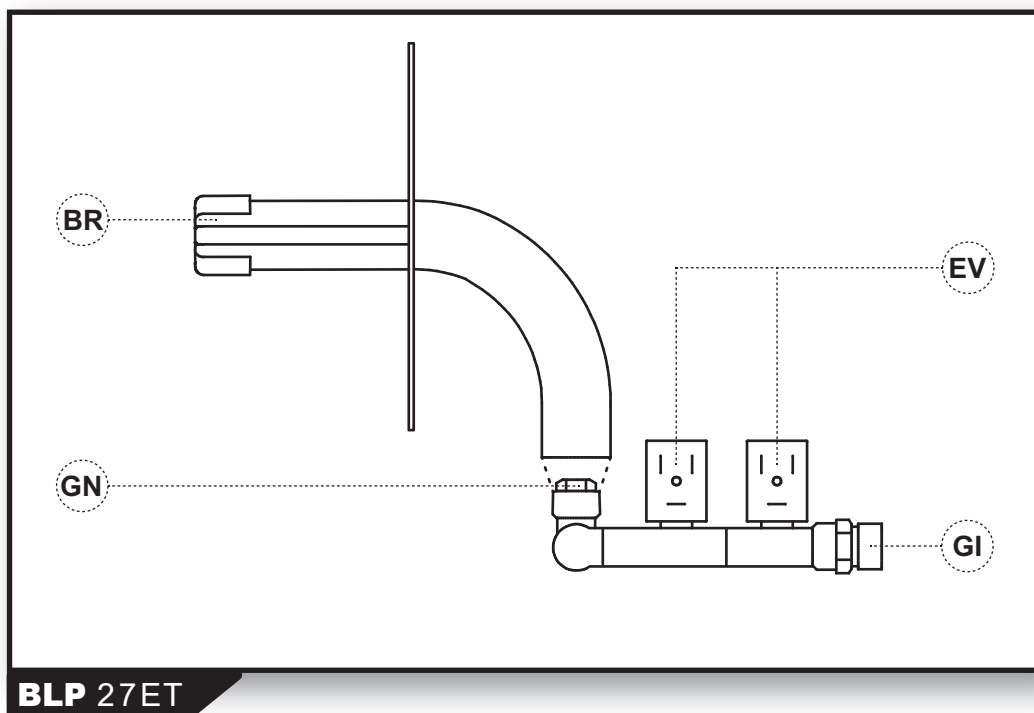
**BLP 26 - BLP 33M - BLP 53M - BLP 73M**  
**BLP 26DV - BLP 33DV - BLP 53DV - BLP 73DV - BLP 103M DV**



**BLP 33E - BLP 53E - BLP 73E - BLP 103E**  
**BLP 33ET - BLP 53ET - BLP 73ET - BLP 103ET**

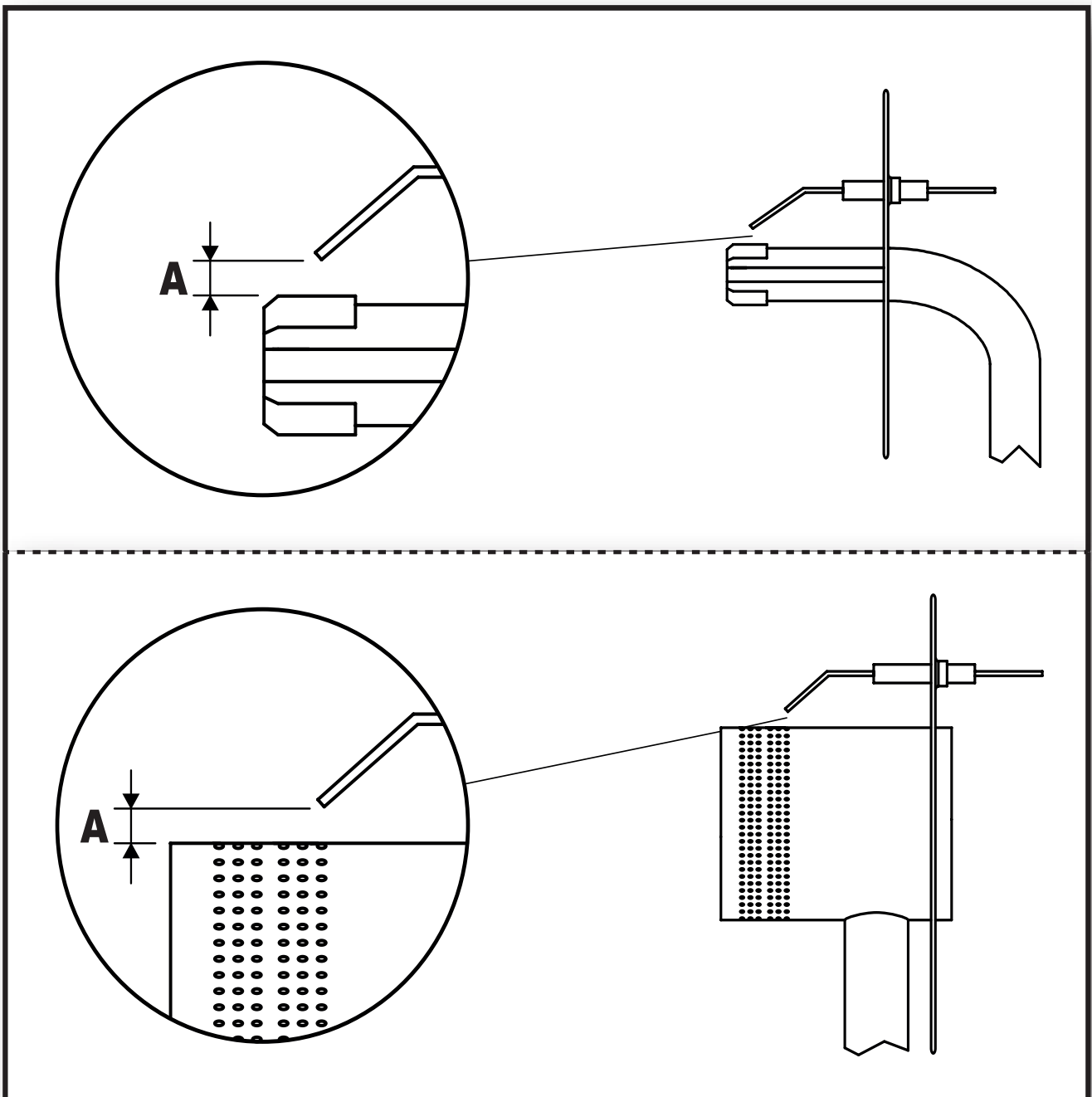


**GAS PLANT - IMPIANTO GAS - GASANLAGE - INSTALACIÓN DE GAS - SYSTÈME À GAZ - GASINSTALLATIE - SISTEMA DO GÁS - GAS-ANLÆG - KAASULAITTEISTO - GASSANLEGG - GASANORDNING - INSTALACJA GAZOWA - ГАЗОВАЯ СИСТЕМА - PLYNOVÉ ZAŘÍZENÍ - GÁZ HÁLÓZAT - PLINSKI SISTEM - GAZ TESISATI - UREĐAJ NA PLIN - DUJŮ SISTEMA - GĀZES SISTĒMA - GAASISŪSTEEM - INSTALAȚIA DE GAZ - PLYNOVÉ ZARIADENIE - ГАЗОВА ИНСТАЛАЦИЯ - ГАЗОВЕ ОБЛАДНАННЯ - PLINSKI/GASNI UREĐAJ - ΕΓΚΑΤΑΣΤΑΣΗ ΦΥΣΙΚΟΥ ΑΕΡΙΟΥ - 供气图 - ГАЗ ЖҮЙЕСІ**



<b>GI</b>	Gas inlet fitting - Raccordo entrata gas - Anschluss Gaszufuhr - Racor de entrada del gas - Raccord entrée gaz - Koppeling gasingang - Ligação da entrada de gás - Gastilførselssamling - Kaasun sisäänmenoliitos - Kobling gassinløp - Kopplingsrør gasinløpp - Wlot gazu złącza - Вход газа ниппель - Spoj přívod plynu - Bemenő oldali gázcsanak - Vhodni priključek za plin - Gaz giriş rakoru - Spojnica ulaza za plin - Dujų įleidimo jungtis - Gāzes ieejas savienojums - Gaasi sissevooluliitmik - Racord intrare gaz - Spoj prívod plynu - Съединение подаване газ - Патрубок подачи газу - Plinska/gasna ulazna spojka - Σύνδεση εισόδου φυσικού αερίου - 进气套件 - Газ қүятын фитингтер
<b>GV</b>	Gas valve - Valvola gas - Gasventil - Válvula de gas - Valve du gaz - Gasklep - Válvula do gás - Gasventil - Kaasuventtiili - Gassventil - Gasventil - Zawór gazu - Вентиль газа - Plynový ventil - Gázszelep - Plinski ventil - Gaz vanası - Ventil za plin - Dujų vožtuvas - Gāzes vārsts - Gaasiklapp - Valvã gaz - Plynový ventil - Газов клапан - Газовий клапан - Plinski/gasni ventil - Βαλβίδα φυσικού αερίου - 气阀 - Газ клапаны
<b>EV</b>	Solenoid valve - Elettrovalvola - Elektroventil - Electroválvula - Électrovalve - Elektroklep - Eletroválvula - Magnetventil - Solenoidiventtiili - Magnetventil - Magnetventil - Zawór elektromagnetyczny - Соленоид - Elektrický ventil - Mágnesszelep - Elektromagnetni ventil - Elektroalf - Električni ventil - Elektrinis vožtuvas - Elektrovārsts - Solenoidventiil - Electrovalvã - Elektrický ventil - Електроклапан - Електроклапан - Električni ventil - Ηλεκτροβαλβίδα - 电磁阀 - Электромагнитті клапан
<b>GT</b>	Gas cock - Rubinetto gas - Gashahn - Llave de gas - Robinet du gaz - Gaskraan - Torneira do gás - Gashane - Kaasuhana - Gasskran - Gaskran - Kurek gazu - Краник газа - Plynový kohout - Gázcsap - Plinska pipa - Gaz musluğu - Slavina za plin - Dujų kranelis - Gāzes krāns - Gaasikraan - Robinet de gaz - Plynový kohútik - Кран за газ - Газовий вентиль - Slavina za plin/gas - Στρόφιγγα φυσικού αερίου - 燃气开关 - Газ краны
<b>GN</b>	Gas nozzle - Ugello gas - Gasdüse - Tobera de gas - Gicleur gaz - Gasstraalpijp - Bico ejetor de gás - Gasdyse - Kaasusuutin - Gassdyse - Gasmunstycke - Dysza gazu - Сопло газа - Plynová tryska - Gáz fúvóka - Plinska šoba - Gaz nozulu - Mlaznica plina - Dujų purkštukas - Gāzes izplūdes caurums - Gaasidüüs - Duzã gaz - Plynová tryska - Дюза за газ - Газова форсунка - Mlaznica plina/gasa - Ακροφύσιο φυσικού αερίου - 进气口 - Газ саптама
<b>BR</b>	Burner - Bruciatore - Brenner - Quemador - Bruleur - Brander - Queimador - Brænder - Poltin - Brenner - Brännare - Palnik - Горелка - Hořák - Égő - Gorilnik - Brülör - Plamenik - Degiklis - Deglis - Põleti - Arzător - Horák - Горелка - Пальник - Gorionik - Καυστήρας - 燃烧器 - Оттық

ELECTRODES REGULATION - REGOLAZIONE ELETTRODI - REGULIE-  
 RUNG DER ELEKTRODEN - **REGULACIÓN DE LOS ELECTRODOS** - REGU-  
 LATION DES ELECTRODES - AFSTELLING ELEKTRODEN - REGULAÇÃO  
 DE ELÉTRODOS - REGULERING AF ELEKTRODER - **ELEKTRODIEN SÄÄTÖ**  
 - REGULERING AV ELEKTRODER - ELEKTRODREGLERING - REGULACJA  
 ELEKTROD - **РЕГУЛЯЦІЯ ЕЛЕКТРОДОВ** - NASTAVENÍ ELEKTROD - AZ  
**ELEKTÓRÓDÁK BEÁLLÍTÁSA** - NASTAVITEV ELEKTROD - ELEKTROT AYARI  
 - REGULIRANJE ELEKTRODA - **ELEKTRODU REGULIAVIMAS** - ELEK-  
**TRODU REGULĚŠANA** - ELEKTROODIDE REGULEERIMINE - REGLAREA  
 ELECTROZILOR - **NASTAVENIE ELEKTÓRÓD** - **РЕГУЛІРАНЕ ЕЛЕКТРОДИ**  
 - **РЕГУЛЮВАННЯ ЕЛЕКТРОДОВ** - KONTROLA ELEKTRODE - **ΡΥΘΜΙΣΗ**  
**ΗΛΕΚΤΡΟΔΙΩΝ** - 电极规定 - **ЭЛЕКТРОДТАРДЫ РЕТТЕУ**



A = 4 ÷ 6 mm-мм

# CE CONFORMITY CERTIFICATE



CE CONFORMITY CERTIFICATE - DICHIARAZIONE DI CONFORMITÀ CE - EG-KONFORMITÄT-SERKLÄRUNG - DECLARACIÓN DE CONFORMIDAD CE - DECLARATION DE CONFORMITE CE - EG-CONFORMITEITVERKLARING - DECLARAÇÃO DE CONFORMIDADE CE - EU-OVERENSSTEMMELSESERKLÆRING - EY-VAATIMUSTENMUKAISUUSVAKUUTUS - CE-SAMSVAR-SERKLÆRING - EG-FÖRSÄKRAN OM ÖVERENSSTÄMMELSE - DEKLARACJA ZGODNOŚCI WE - ДЕКЛАРАЦИЯ О СООТВЕТСТВИИ CE - PROHLÁŠENÍ O SHODĚ CE - EK MEGFELELŐSÉGI NYILATKOZAT - IZJAVA O SKLADNOSTI IN OZNAKA CE - CE UYGUNLUK BEYANI - IZJAVA CE O SUKLADNOSTI - ES ATITIKTIES DEKLARACIJA - EK ATBILSTĪBAS - DEKLARĀCIJA - EÜ VA-STAVUSDEKLARATSIOON - DECLARAȚIE DE CONFORMITATE CE - PREHLÁSENIE O ZHODE CE - ДЕКЛАРАЦИЯ ЗА СЪВМЕСТИМОСТ CE - ДЕКЛАРАЦИЯ ВІДПОВІДНОСТІ CE - IZJAVA CE O PRIKLAADNOSTI ΔΗΛΩΣΗ ΣΥΜΜΟΡΦΩΣΗΣ CE - CE 符合性声明

**DANTHERM S.p.A. Via Gardesana 11, -37010- Pastrengo (VR), ITALY**

Product: - Prodotto: - Produkt: - Producto: - Produit: - Product: - Produto: - Produkt: - Tuote: - Produkt: - Produkt: - Produkt: - Изделие: - Výrobek: - Termék: - Izdelek: - Ürün: - Proizvod: - Gaminys: - Ieīce: - Toode: - Produsul: - Výrobok: - Продукт: - Виріб: - Proizvod: - Προϊόν: - 产品:

BLP 11 - BLP 16 - BLP 17M - BLP 26 - BLP 27 - BLP 27M  
BLP 33M - BLP 53M - BLP 73M  
BLP 26DV - BLP 33DV - BLP 53DV - BLP 73DV - BLP 103M DV  
BLP 33E - BLP 53E - BLP 73E - BLP 103E  
BLP 27ET - BLP 33ET - BLP 53ET - BLP 73ET - BLP 103ET

We declare that it is compliant with: - Si dichiara che è conforme a: - Es wird als konform mit den folgenden Normen erklärt: - Se declara que está en conformidad con: - Nous déclarons sa conformité à: - Hierbij wordt verklaard dat het product conform is met: - Declara-se que está em conformidade com: - Vi erklærer at produktet er i overensstemmelse med: - Vakuutetaan olevan yhdenmukainen: - Man erklærer at apparatet er i overensstemmelse med: - Härmed intygas det att produkten är förenlig med följande: - Oświadczam, że jest zgodny z: - Заявляем о соответствии требованиям: - Prohlašuje se, že je v souladu s: - Kijelentjük, hogy a termék megfelel az alábbiaknak: - Izpolnjuje zahteve: - Aşağıdaki standartlara uygun olduğunu beyan ederiz: - Izjavljuje se da je u skladu s: - Pareiškiame, kad atitinka: - Tiek deklarēts, ka atbilst: - Kāesolevaga deklareeritakse, et toode vastab: - Declarăm că este conform următoarelor: - Prehlasuje sa, že je v súlade s: - Декларира се че отговаря на: - Відповідає вимогам: - Izjavljuje se da je u skladu s: - Δηλώνουμε ότι είναι σύμφωνο με: - 兹证明符合:

2014/30/EU, 2014/35/EU, 2016/426/EU

EN 62233:2008, EN 61000-3-2:2014, EN 61000-3-3:2013, EN 55014-1:2006/A2:2011, EN 55014-2:2015, EN 60335-1:2012/A11:2014, EN 60335-2-102:2016, EN 1596:1998/A1:2004

The notified body performed the type testing and issued the certificate: - L'organismo autorizzato ha svolto il test relativo al tipo e ha emesso il certificato: - Die notifizierte stelle führte die baumusterprüfung aus und stellte die bescheinigung aus: - El organismo notificado que ha realizado la prueba de tipo y ha expedido el certificado: - L'organisme notifié a effectué le test de type et a délivré le certificat: - De aangemelde instantie heeft het type testen uitgevoerd en het volgende certificaat afgegeven: - A entidade notificada realizou o teste de tipo e emitiu o certificado: - Det bemyndigede organ har udført typeafprøvningen og udstedt certifikatet: - Jednostka notyfikowana wykonała badanie typu i wydała certyfikat:

DVGW CERT GmbH (CE-0085), Josef-Wirmer-Strasse 1-3, DE-53123 Bonn  
2016/426/EU (21/04/2018<CE-0085BM0132<07/12/2027)

Pastrengo, 2019

Stefano Verani (Member of the Board)

---

► en - LIMITED WARRANTY AND AFTER-SALES SERVICE

KEEP THIS LIMITED WARRANTY

During the period of twelve (12) months starting from the date of purchase of this product, the manufacturer guarantees that the appliance, all of its parts, do not have flaws due to manufacturing or the materials used, as long as the appliance has been used following the instructions and maintenance indicated in the manual. This warranty is only valid for the original purchaser of the appliance, which must present the purchase invoice. This warranty only includes the cost of the parts necessary to return the appliance to its normal functioning state. Therefore, costs relative to transport or other material associated with the parts covered by this warranty are excluded. The faults produced by incorrect use, manipulation, negligence, insufficient maintenance, alterations, modifications, normal wear of the product are not covered by this warranty, as also the use of non-compliant fuel, repairs using non-original spare parts or repairs performed by staff not working for the dealer or the authorised technical after-sales service. Routine maintenance is the owner's responsibility. The manufacturer does not guarantee, nor is directly or indirectly responsible, for any other warranty including that of a commercial nature or for appropriation for a particular use. In no case is the manufacturer liable for direct, indirect, accidental or consequent damage, deriving from use of the appliance. The manufacturer reserves the right to modify this warranty at any time and without forewarning. This is the only valid warranty. The manufacturer does not assume any expressed or implicit warranty.

► it - GARANZIA LIMITATA E SERVIZIO ASSISTENZA SERVICE

CONSERVARE LA PRESENTE GARANZIA LIMITATA

Durante il periodo di dodici (12) mesi a partire dalla data di acquisto di questo prodotto, il costruttore garantisce che l'apparecchio, come ogni sua parte, non presenta difetti dovuti alla fabbricazione o ai materiali utilizzati, sempre che lo stesso sia stato usato seguendo le istruzioni di funzionamento e mantenimento indicate nel manuale. La presente garanzia si estende unicamente al compratore originale dell'apparecchio, il quale dovrà presentare la fattura di acquisto. La presente garanzia include solo il costo delle parti necessarie per restituire l'apparecchio nel suo stato normale di funzionamento. Restano pertanto esclusi i costi relativi ai trasporti o altro materiale associato con le parti coperte dalla presente garanzia. Sono escluse dalla copertura di garanzia, le avarie prodotte da errato uso, manipolazioni, negligenza, manutenzione insufficiente, alterazioni, modificazioni, normale usura del prodotto, così anche per l'uso di combustibile non conforme, riparazioni con ricambi inadeguati o per riparazioni fatte da personale differente dal distributore o dal servizio tecnico autorizzato. La normale manutenzione è a carico del proprietario. Il costruttore non garantisce, né si fa carico diretto o indiretto, di nessuna altra garanzia inclusa quella di carattere commerciale o per l'appropriazione per una particolare utilizzazione. In nessun caso il costruttore sarà responsabile per i danni diretti, indiretti, accidentali o conseguenti, derivanti dall'uso dell'apparecchio. Il costruttore si riserva il diritto di modificare in qualsiasi momento e senza preavviso la presente garanzia. L'unica garanzia valida è la presente scrittura, il costruttore non assume nessuna garanzia espressa o implicita.

► de - BESCHRÄNKTE GARANTIE UND KUNDENDIENST

VORLIEGENDE BESCHRÄNKTE GARANTIE GUT AUFBEWAHREN

Während der Garantie von zwölf (12) Monaten, ab Kaufdatum dieses Produkts, garantiert die Herstellerfirma, dass das Gerät und seine Bauteile keine Defekte verursacht durch Herstellung oder aufgrund verwendeter Materialien aufweist. Voraussetzung hierfür ist die Befolgung der im Handbuch angegebenen Betriebs- und Wartungsanleitungen. Die vorliegende Garantie gilt ausschließlich für die ursprünglichen KäuferInnen des Geräts. Hierfür muss die Rechnung vorgelegt werden. Eingeschlossen von der vorliegenden Garantie sind nur die Kosten für die Bauteile, welche notwendig sind, damit das Gerät seinen ordnungsgemäßen Betrieb wieder aufnehmen kann. Ausgeschlossen von der Garantie sind Transportkosten oder Kosten für Materialien, welche an die von der Garantie abgedeckten Bauteile gebunden sind. Ausgeschlossen von der Garantie sind Schäden die durch falschen Gebrauch, nicht autorisierte Eingriffe und Veränderungen, Vernachlässigung sowie unzureichende Wartung, Modifizierungen und die normale Abnutzung des Produkts verursacht werden. Gleichermaßen ausgeschlossen sind Schäden, die durch die Verwendung von nicht geeigneten Brennstoffen sowie Reparaturen mit Verwendung ungeeigneter Ersatzteile oder durchgeführt von Personen, die nicht zur Herstellungsfirma oder autorisierten Kundendiensten gehören. Die normale Wartung liegt in der Verantwortung der BesitzerInnen. Die Herstellerfirma gibt keine weitere direkte oder indirekte Garantie bezüglich des Vertriebs oder des Einsatzes für eine spezielle Verwendung des Geräts. In keinem Fall übernimmt die Herstellerfirma die Verantwortung für direkte oder indirekte Schäden, Unfälle oder Folgen, die durch den Gebrauch des Gerätes entstehen können. Die Herstellerfirma behält sich das Recht vor zu jeder Zeit und ohne Vorankündigung die vorliegende Garantie ändern zu können. Das vorliegende Schriftstück ist die einzig gültige Garantie und die Herstellerfirma übernimmt keine weitere ausdrückliche oder implizierte Garantie.

► es - GARANTÍA LIMITADA Y SERVICIO DE ASISTENCIA SERVICE

CONSERVE LA PRESENTE GARANTÍA LIMITADA

Durante el período de doce (12) meses a partir de la fecha de compra de este producto, el fabricante garantiza que el equipo, y todas sus partes, no presentan defectos debidos a la fabricación o a los materiales empleados, siempre que el mismo se use en el respeto de las instrucciones de funcionamiento y mantenimiento indicadas en el manual. Esta garantía se extiende solo al comprador original del equipo, el cual debe presentar la factura de compra. La presente garantía incluye solo el coste de las partes necesarias para que el equipo vuelva a funcionar normalmente. Por lo tanto se excluyen los costes relativos a los transportes o a otro material asociado con las partes cubiertas por la garantía. La garantía no cubre las averías producidas por el uso incorrecto, las manipulaciones, la negligencia, el mantenimiento insuficiente, las alteraciones, las modificaciones, el desgaste normal del producto, el uso de un combustible no conforme, las reparaciones con recambios inadecuados o las reparaciones hechas por personal diferente del distribuidor o del servicio técnico autorizado. El mantenimiento ordinario es a cargo del propietario. El fabricante no

---

garantiza, ni se hace cargo directo o indirecto de ninguna otra garantía incluyendo la de carácter comercial o por la apropiación de un uso particular. El fabricante no es responsable por ninguna razón de los daños directos, indirectos, accidentales o consiguientes, debidos al uso del equipo. El fabricante se reserva el derecho de modificar la presente garantía en cualquier momento y sin previo aviso. La única garantía válida es la presente escritura, el fabricante no asume ninguna garantía expresa o implícita.

► fr - GARANTIE ET SERVICE APRES-VENTE  
CONSERVER CETTE GARANTIE LIMITÉE

Pendant une durée de douze (12) mois à partir de la date de l'achat de ce produit, le constructeur garantit que l'appareil, comme tout élément qui le compose, sont exempts de vices de matière et défauts de main d'œuvre, à condition que l'appareil fonctionne et soit entretenu conformément aux instructions de fonctionnement et de maintenance illustrées dans ce manuel. Cette garantie s'étend uniquement au premier acheteur de l'appareil, qui devra présenter la facture d'achat. La présente garantie inclut seulement le coût des parties nécessaires pour restituer l'appareil dans son normal état de fonctionnement. Sont exclus donc le coût relatif au transport ou autre matériel associé avec des parties couvertes par la présente garantie. Cette garantie ne couvre pas les défauts qui résultent d'une utilisation abusive, de mauvais traitement, de négligences, d'accidents, d'absence d'entretien correct, ni l'usure normale, la modification, l'altération, l'utilisation de combustible non conforme, les réparations à l'aide de pièce inadéquate ou les réparations par une autre personne que le revendeur ou le service après vente autorisé. L'entretien normal s'opère sous la responsabilité du propriétaire. Le constructeur ne garantit pas ni prend en charge directement ou indirectement de tout autre garantie incluse la garantie commerciale ou d'appropriation pour une utilisation particulière. Le constructeur ne prend aucune responsabilité pour les dommages directs, indirect, incidents ou conséquents, qui dérivent de l'utilisation de l'appareil. Le constructeur se réserve le droit de modifier les présentes spécifications à tout moment quelconque sans préavis. La seule garantie applicable est cette garantie écrite. Le constructeur ne fait aucune garantie expresse ou implicite.

► nl - BEPERKTE GARANTIE EN TECHNISCHE DIENST  
ONDERHAVIGE BEPERKTE GARANTIE MOET WORDEN BEWAARD

Gedurende een periode van twaalf (12) maanden vanaf de datum van aankoop van dit product garandeert de constructeur dat het toestel evenals elk onderdeel ervan geen defecten vertoont te wijten aan fabricatiefouten of aan de gebruikte materialen, zolang het toestel gebruikt wordt volgens de instructies voor werking en onderhoud die in de handleiding worden gegeven. Deze garantie heeft enkel betrekking op de oorspronkelijke koper van het toestel, die de aankoopfactuur moet kunnen voorleggen. Deze garantie omvat enkel de kosten voor de onderdelen die nodig zijn om het toestel weer in zijn normale werkingsstatus te herstellen. De kosten met betrekking tot transport of ander materiaal dat betrekking heeft op de onderdelen die door deze garantie gedekt zijn, blijven van deze garantie uitgesloten. De schade die voortvloeit uit een foutief gebruik, forceren, veronachtzaming, onvoldoende onderhoud, aanpassingen, wijzigingen, en normale slijtage van het product zijn niet door de garantie gedekt, evenals schade door gebruik van brandstof die niet conform is, reparaties met ongeschikte wisselstukken of wegens reparaties uitgevoerd door ander personeel dan die van de verdeler of van de bevoegde technische dienst. Het gewone onderhoud is voor rekening van de eigenaar. De constructeur garandeert geen enkele andere garantie, en neemt die ook niet rechtstreeks of onrechtstreeks op zich, met inbegrip van commerciële garantie of voor de aanpassing voor een specifieke toepassing. De constructeur is in geen enkel geval verantwoordelijk voor rechtstreekse, onrechtstreekse, onopzettelijke of andere schade die voortvloeit uit het gebruik van het toestel. De constructeur behoudt zich het recht voor om op elk ogenblik en zonder vooraf te verwittigen deze garantie te wijzigen. De enige geldige garantie is dit geschreven document, de constructeur verzekert geen enkele speciale of impliciete garantie.

► pt - GARANTIA LIMITADA E SERVIÇO DE ASSISTÊNCIA SERVIÇO  
CONSERVAR A PRESENTE GARANTIA LIMITADA

Durante o período de doze (12) meses a partir da data de aquisição deste produto, o fabricante garante que o aparelho, como suas partes, não apresenta defeitos devidos à fabricação ou materiais utilizados, desde que seja utilizado segundo as instruções de funcionamento e manutenção indicadas no manual. A presente garantia estende-se unicamente ao comprador original do aparelho, que deve apresentar a fatura de compra. A presente garantia inclui somente o custo das partes necessárias para restituir o aparelho em seu estado normal de funcionamento. Portanto, estão excluídos os custos referentes ao transporte ou outro material associado com as partes cobertas pela presente garantia. Estão excluídas da garantia as avarias produzidas por uso errado, manipulações, negligência, manutenção insuficiente, alterações, modificações, desgaste normal do produto, assim como para o uso de combustível não em conformidade, consertos com peças inadequadas ou por consertos feitos por pessoas que não sejam o distribuidor ou o serviço técnico autorizado. A normal manutenção é por conta do proprietário. O fabricante não garante, e não se responsabiliza direta ou indiretamente, por outras garantias, inclusive a de caráter comercial, ou por usos diversos. De modo algum o fabricante é responsável por danos diretos, indiretos, acidentais ou consequências devido ao uso do aparelho. O fabricante reserva-se o direito de efetuar modificações na presente garantia a qualquer momento e sem prévio aviso. Este documento representa a única garantia válida e o fabricante não assume nenhuma garantia expressa ou implícita.

► da - BEGRÆNSET GARANTI OG ASSISTANCESERVICE  
GEM DENNE BEGRÆNSEDE GARANTI

I en periode på tolv (12) måneder fra købsdatoen garanterer fabrikanten, at apparatet og alle dets dele er fri for defekter i udførsel og materiale, forudsat at apparatet har været anvendt i overensstemmelse med manualens drifts- og vedligeholdelsesinstrukser. Denne garanti gælder udelukkende for den oprindelige køber, der skal fremvise købsfaktura. Garantien omfatter kun udgifter til

de reservedele, der er nødvendige for at bringe apparatet tilbage i normal driftstilstand. Fragtomkostninger og andet materiale forbundet med delene, der dækkes af denne garanti, er derfor ikke inkluderet. Garantien dækker ikke fejl, der skyldes forkert brug, misbrug, uagtsomhed, utilstrækkelig vedligeholdelse, ændringer, normalt slid samt anvendelse af ikke-egnet brændstof, reparationer udført med uegnede reservedele eller reparationer foretaget af andre end forhandlerens eller teknisk assistances personale. Den almindelige vedligeholdelse skal afholdes af ejeren. Fabrikanten garanterer eller påtager sig ikke direkte eller indirekte nogen anden garanti, herunder garantier for salgbarhed eller for egnethed til et bestemt formål. Fabrikanten kan under ingen omstændigheder holdes ansvarlig for direkte, indirekte, utilsigtede skader eller skader som følge af brug af apparatet. Fabrikanten forbeholder sig ret til at ændre nærværende garanti på et hvilket som helst tidspunkt og uden forudgående varsel. Kun den nærværende garanti er gyldig, fabrikanten påtager sig ingen udtrykkelige eller underforståede garantier.

► fi - RAJOITETTU TAKUU JA HUOLTOPALVELU  
SÄILYTÄ TÄMÄ RAJOITETTU TAKUU

Valmistaja takaa kahdentoista (12) kuukauden ajalle tämän tuotteen hankintapäivästä lähtien, että laitteessa ja kaikissa siihen kuuluvissa osissa ei esiinny valmistukseen tai käyttöihin materiaaleihin liittyviä vikoja jos sitä on käytetty käyttöoppaassa annettujen käyttö- ja huolto-ohjeiden mukaisesti. Tämä takuu annetaan yksinomaan alkuperäiselle laitteen hankkijalle, jonka todistuksena on oltava ostokuitti. Tämän takuun piiriin kuuluu vain tarvittavien osien hinta, jotta laitteen normaali toiminta saataisiin palautettua ennalleen. Toimitukseen tai muihin materiaaleihin liittyvät kustannukset eivät näin ollen kuulu tämän takuun piiriin. Takuun piiriin eivät kuulu tuotteen väärästä käytöstä, peukaloinnista, huolimattomuudesta, riittämättömästä huollosta, vaihdoista, muutoksista, tuotteen normaalista käytöstä kuten myös ei-yhdenmukaisen polttoaineen käytöstä, väärin tehdyistä korjaustoimenpiteistä tai muiden kuin jälleenmyyjän osoittamien huoltohenkilöiden tai valtuutetun teknisen huollon suorittamista korjaustoimenpiteistä aiheutuvat viat. Säännöllinen huolto kuuluu valmistajan tehtäväksi. Valmistaja ei takaa eikä vastaa suoraan tai epäsuoraan mistään muusta takuusta mukaan lukien kaupallinen takuu tai sen haltuunotto erityistä käyttöä varten. Missään tapauksessa valmistaja ei ole vastuussa suorista, epäsuorista, vahingossa syntyvistä tai laitteen käytöstä johtuvista vahingoista. Valmistaja pidättää oikeuden muuttaa tätä takuuta milloin tahansa ilman erillistä ilmoitusta. Kyseinen takuu on ainoa voimassa oleva. Valmistaja ei anna mitään nimenomaista tai viitteellistä takuuta.

► no - BEGRENSET GARANTI OG ETTERSALGSSERVICE  
TA VARE PÅ DENNE GARANTIEN

I løpet av tolv (12) måneder fra salgsdatoen til dette produktet, garanterer produsenten at apparatet, og alle dens deler, ikke har feil på grunn av produksjon eller materialer som brukes, så lenge apparatet har vært brukt ved å følge instruksjonene for drift og vedlikehold angitt i manualen. Denne garantien er kun gyldig for den første kjøperen av apparatet som også må presentere fakturaen. Denne garantien omfatter kun kostnaden av de delene som er nødvendig for å sette apparatet tilbake i normal driftsstatus. Derfor er kostnader som gjelder transport eller annet materiale til de delene som dekkes av garantien utelatt. Feil som oppstår på grunn av feil bruk, manipulering, uaktsomhet, utilstrekkelig vedlikehold, endringer og normal slitasje av produktet omfattes ikke av denne garantien. Dette gjelder også ved bruk av feil brennstoff, reparasjoner som utføres med uegnede reservedeler eller reparasjoner som utføres av uautoriserte personer. Normalt vedlikehold er eierens ansvar. Produsenten garanterer ikke, og påtar seg heller ikke direkte eller indirekte ansvar for andre garantier, inkludert kommersielle garantier eller for tilegnelse for en bestemt bruk. Ikke i noe tilfelle er produsenten ansvarlig for direkte, indirekte, tilfeldige eller påfølgende skader, som stammer fra bruk av apparatet. Produsenten forbeholder seg retten til å endre denne garantien når som helst og uten forvarsel. Dette er den eneste gyldige garantien. Produsenten påtar seg ikke noe uttrykt eller underforstått garanti.

► sv - BEGRÄNSAD GARANTI OCH SUPPORT SERVICE  
FÖRVARA DEN BEGRÄNSADE GARANTISEDELN

Under en tidsperiod om tolv (12) år från och med inköpsdatumet för produkten garanterar tillverkaren att apparaten och samtliga av dess delar inte uppvisar brister som kan tillskrivas tillverkningen eller använda material, på villkor att produkten har använts genom att följa instruktionerna för drift och underhåll som anges i manualen. Garantin täcker endast apparatens ursprungliga köpare som även bör uppvisa inköpsfaktura. Garantin täcker bara kostnaden för delar som krävs för att återställa apparaten till sitt normala driftsskick. Därmed utesluts kostnaderna för frakt eller för övriga material som förknippas med dem som täcks av denna garanti. Från garantitäckningen utesluts även produkter som använts felaktigt, manipuleringar, försumlighet, otillräckligt underhåll, försämringar, förändringar, normalslitage av produkten, såsom en oförenlig bränsleanvändning, reparationer med olämpliga reservdelar eller som ingår i reparationer som utförts av annan personal än återförsäljaren och den auktoriserade serviceteknikern. Det normala underhållet tillkommer kunden. Tillverkaren garanterar inte och tar inte heller direkt eller indirekt ansvar för någon annan garanti som ingår i den kommersiella garantin eller för ett beslagtagande för en viss användning. Tillverkaren är på inga villkor ansvarig för direkta, indirekta, oavsiktliga eller resulterande skador som uppkommit från en användning av apparaten. Tillverkaren förbehåller sig rätten att när som helst och utan förvarning ändra denna garanti. Denna skrift utgör den enda giltiga garantin och tillverkaren tar inte på sig någon uttrycklig eller implicit garanti.

► pl - OGRANICZONA GWARANCJA I SERWIS POSPRZEDAŻOWY  
ZACHOWAJ NIENIEJSZĄ GWARANCJĘ

Producent zapewnia, że niniejszy produkt jest wolny od wad fabrycznych i udziela (12) miesięcznego okresu gwarancji od momentu zakupu produktu pod warunkiem, że urządzenie będzie eksploatowane i konserwowane zgodnie z zaleceniami zawartymi w

podręczniku użytkownika. Niniejsza gwarancja dotyczy wyłącznie oryginalnego zakupu i jest ważna tylko z fakturą sprzedaży. Gwarancja obejmuje tylko koszty części niezbędnych do przywrócenia urządzenia do stanu normalnego funkcjonowania. Niniejsza gwarancja nie obejmuje kosztów związanych z transportem lub innymi materiałami związanymi z częściami objętymi niniejszą gwarancją. Usterki wynikłe na skutek nieprawidłowej eksploatacji, zaniedbań, niedostatecznej konserwacji, przeróbek i modyfikacji, normalnego zużycia urządzenia jak również stosowania paliwa niezgodnego ze specyfikacją, napraw z użyciem nieoryginalnych części zamiennych lub napraw wykonanych przez osoby do tego nieupoważnione nie są objęte usługą gwarancyjną. Rutynowa konserwacja leży w gestii posiadacza urządzenia. Producent nie udziela gwarancji ani nie bierze bezpośredniej ani pośredniej odpowiedzialności za każdą inną wydaną gwarancję wliczając gwarancje natury handlowej. W żadnym wypadku producent nie ponosi odpowiedzialności za bezpośrednie, pośrednie, przypadkowe uszkodzenia wynikłe w trakcie użytkowania urządzenia. Producent zastrzega sobie prawo do zmiany niniejszej gwarancji w dowolnym czasie i bez uprzedniego zawiadomienia. Niniejsza gwarancja jest jedyną obowiązującą. Producent nie uznaje żadnej innej gwarancji wyrażonej lub dorozumianej.

#### ► ru - ОГРАНИЧЕННАЯ ГАРАНТИЯ И ПОСЛЕПРОДАЖНОЕ СЕРВИСНОЕ ОБСЛУЖИВАНИЕ СОХРАНИТЕ ДАННУЮ ИНСТРУКЦИЮ НА БУДУЩЕЕ

Производитель гарантирует, что данный продукт не имеет фабричных дефектов и недостатков, и тем самым предоставляет на него 12-месячную гарантию от момента покупки продукта при условии, что прибор будет использоваться и проходить техобслуживание согласно рекомендациям, содержащимся в руководстве для пользователя. Данная гарантия распространяется исключительно на оригинальный купленный продукт и действительна только при наличии документа, подтверждающего покупку (инвойс). Гарантия распространяется только на части, необходимые для обеспечения прибора нормального состояния функционирования. Данная гарантия не предусматривает покрытие расходов, связанных с транспортом или другими материалами, связанными с частями, на которые данная гарантия распространяется. Гарантия не будет распространяться на неисправности, возникшие в результате неправильной эксплуатации, пренебрежительного отношения, неправильного техобслуживания, переработок и модификаций, нормального износа прибора, а также применения топлива, не соответствующего данным в спецификации, ремонтов с использованием неоригинальных запчастей или ремонтов, выполненных некомпетентными лицами. Обычные периодические работы по техобслуживанию относятся к сфере обязанностей владельца прибора. Производитель не предоставляет гарантии и не берет на себя ни косвенной, ни непосредственной ответственности за любую другую выданную гарантию, в том числе гарантию коммерческого характера. Ни в коем случае производитель не несет ответственности за непосредственные, косвенные, случайные повреждения, возникшие в процессе эксплуатации прибора. Производитель оставляет за собой право вносить изменения в данной гарантии в любой момент и без предварительного предупреждения. Данная гарантия является единственной действующей гарантией. Производитель не признает никакой другой гарантии, выраженной или подразумеваемой.

#### ► cs - OMEZENÁ ZÁRUKA A ASISTENČNÍ SLUŽBA UCHOVÁVEJTE TUTO OMEZENOU ZÁRUKU

Během období dvanácti (12) měsíců od data nákupu tohoto produktu výrobce zaručuje, že zařízení, jako všechny jeho části, je bez vad vzniklých v důsledku výroby nebo použitých materiálů, za předpokladu, že samotný přístroj byl používán podle pokynů v příručce na provoz a údržbu. Tato záruka se vztahuje pouze na původního nákupce přístroje, který musí předložit fakturu o zakoupení. Tato záruka pokrývá pouze náklady dílů nezbytných pro navrácení výrobku do normálního stavu fungování. Proto vylučuje náklady na dopravu či dalších materiálů, spojených s částmi, na něž se vztahuje tato záruka. Ze záruky jsou vyloučena poškození, způsobená nesprávným používáním, nedbalostí, špatnou údržbou, modifikacemi a úpravami, běžným opotřebením výrobku; jakož i škody, zapříčiněné používáním nevhodného paliva, opravami s nevhodnými náhradními díly anebo opravami, prováděnými personálem odlišným od personálu prodejce anebo autorizované technické servisní služby. Běžná údržba je úkolem majitele. Výrobce nezaručuje ani nepřebírá, přímo či nepřímo, jakékoli jiné záruky, včetně záruky obchodní povahy anebo záruky pro přizpůsobení výrobku na zvláštní použití. Výrobce není v žádném případě odpovědný za jakékoliv přímé, nepřímé, náhodné nebo následné škody, vyplývající z použití zařízení. Výrobce si vyhrazuje právo kdykoliv a bez předchozího upozornění změnit tuto záruku. Jedinou platnou zárukou je tato písemná listina, výrobce neuznává žádnou jinou záruku, ani vyjádřenou, ani implicitní.

#### ► hu - KORLÁTOZOTT JÓTÁLLÁS ÉS SZERVIZSZOLGÁLAT ŐRIZZE MEG AZ ALÁBBI JÓTÁLLÁST

A jótállás időtartama alatt (a vásárlás napjától számított 12 hónap) a gyártó garantálja, hogy a termék vagy annak egyes alkatrészei - amennyiben azokat a vevő rendeltetésszerűen használja - nem mutatnak gyártási vagy anyaghibát. A jelen jótállás csak a termék vásárlójára terjed ki, aki a jótálláshoz való jogával kizárólag a vásárlást igazoló számla felmutatása ellenében élhet. A jelen jótállás kizárólag a berendezés normál üzemi körülményeinek helyreállításához szükséges alkatrészek költségére terjed ki. Így nem terjed ki a szállítási vagy a jótállás tárgyát képező anyagok járulékos költségeire.

A jótállás nem terjed ki a nem megfelelő használatból, nem engedélyezett módosításokból, hanyagságból, elégtelen karbantartásból, változtatásokból eredő károokra vagy a normál üzemi körülmények között kopásnak kitett alkatrészekre. A berendezés időszakos karbantartását a vevő felelőssége elvégezni. A gyártó a termékre semmilyen további közvetett vagy közvetlen jótállást (beleértve a kereskedelmi természetű vagy különleges felhasználásra vállalt jótállásokat) nem vállal. A gyártó semmilyen a berendezés használatából eredő közvetett vagy közvetlen kárért ill. balesetért nem vonható felelősségre. A gyártó fenntartja magának a jogot, hogy a jelen jótállást a vevő előzetes megrendelése nélkül módosítsa.

Az egyetlen érvényes jótállást a jelen szerződés képezi, semmilyen egyéb szóbeli vagy hallgatólagosan beleértett jótállás nem érvényes.

► **sl - OMEJENO JAMSTVO IN SERVISNA SLUŽBA  
TO OMEJENO JAMSTVO SHRANITE**

Proizvajalec jamči, da bo naprava in vsi njeni deli brezhibno delovali brez napak v izdelavi in materialih za dvanajst (12) mesecev po nakupu, vendar le v primeru uporabe naprave po navodilih glede delovanja in vzdrževanja, ki so navedena v tem priločniku. To jamstvo velja izključno za prvega kupca naprave, ob predložitvi računa. To jamstvo vključuje samo strošek delov, ki so potrebni za ponovno vzpostavitev normalnega delovnega stanja naprave. Ne vključuje pa stroškov za prevoz in drugi material, povezan z deli, ki jih to jamstvo ne krije. Jamstvo ne vključuje poškodb, ki bi bile posledica napačne uporabe ali ravnanja z napravo, malomarnosti, nezadostnega vzdrževanja, predelav, sprememb, običajne obrabe izdelka, kot tudi ne uporabe neprimerne goriva, popravil z neustreznimi nadomestnimi deli ali popravil s strani nepooblaščenih oseb oziroma takih, ki jih ne bi opravil pooblaščen prodajalec ali serviser. Redno vzdrževanje je v breme lastnika. Proizvajalec ne jamči kot tudi ne prevzema neposredne ali posredne odgovornosti za nobeno drugo obliko jamstva, vključno s komercialnim ali tistim za odobritev posebne vrste uporabe. Proizvajalec v nobenem primeru ne odgovarja za neposredne, posredne ali nenamerne poškodbe oziroma poškodbe, ki bi bile posledica ali ki bi nastale zaradi uporabe naprave. Proizvajalec si pridržuje pravico do sprememb tega jamstva kadarkoli in brez vnaprejšnjega obvestila. Edino veljavno jamstvo je ta dokument. Proizvajalec ne prevzema nikakršnega izrecnega ali implicitnega jamstva.

► **tr - SINIRLI GARANTİ VE TEKNİK SERVİS HİZMETİ  
İŞBU SINIRLI GARANTİ BELGESİNİ SAKLAYIN**

Bu ürünün satın alındığı tarihten itibaren on iki (12) aylık süre boyunca, üretici firma cihazın ve bütün kısımlarının, kullanım kılavuzunda belirtilen çalıştırma ve bakım talimatlarına uygun şekilde kullanıldığı takdirde, üretime veya kullanılan malzemelere bağlı kusurlar bulundurmadiğini garanti eder. İşbu garantiden sadece cihazı satın alan kişi, ürünün faturasını ibraz ederek yararlanabilir. Söz konusu garanti, sadece cihazı normal işletimin koşullarına döndürmek için gerekli parçaların masraflarını kapsar. Dolayısıyla, nakliye veya garanti kapsamındaki parçalarla birlikte kullanılacak diğer malzemelerin masrafları garanti kapsamının dışındadır. Hatalı kullanım, manipülasyon, ihmal, yetersiz bakım, üründe yapılan değişiklikler, ürünün normal aşınması ve uygun olmayan yakıt kullanımı, uygun olmayan yedek parçalarla veya tedarikçi veya yetkili teknik servis dışındaki personel tarafından yapılan tamiratlardan kaynaklanan arızalar garanti kapsamının dışındadır. Cihazın normal bakımı satın alan kişinin sorumluluğudur. Üretici firma, ticari garanti veya özel bir kullanım için tahsisat dâhil olmak üzere başka hiçbir türlü garanti sağlamamakta ve ne doğrudan ne de dolaylı olarak sorumluluğunu almamaktadır. Üretici firma, hiçbir durumda cihazın kullanımından kaynaklanan doğrudan veya dolaylı, kaza eseri veya sonuç olarak meydana gelen hasarlara ait sorumluluk kabul etmemektedir. Üretici firmanın işbu garanti belgesini istediği zaman haber vermeksizin değiştirme hakkı saklıdır. Geçerli olan tek garanti işbu yazılı metindir, üretici firma başka açık ya da dolaylı olarak ifade edilen her türlü garantiyi reddeder.

► **hr - OGRANIČENO JAMSTVO I SERVISNA SLUŽBA  
ČUVAJTE OVO OGRANIČENO JAMSTVO**

Tijekom perioda od dvanaest (12) mjeseci polazeći od datuma kupnje ovog proizvoda, proizvođač jamči da aparat i svi njegovi dijelovi neće imati na sebi mane koje se posljedica proizvodnje ili korištenih materijala, pod uvjetom da se isti koristi pridržavajući se uputa o radu i održavanju koje navodi ovaj priručnik. Ovo se jamstvo odnosi samo na izvornog kupca aparata koji će trebati pokazati račun o kupnji. Ovo jamstvo uključuje samo troškove potrebne da bi se aparat povratio u svoje prvobitno stanje funkcioniranja. Stoga ostaju isključenim troškovi prijevoza ili drugog materijala koji je u vezi sa dijelovima pokrivenim jamstvom. Nisu pokriveni jamstvom, kvarovi koji su posljedica neprikladne uporabe, neovlaštenog mijenjanja, nemara, nedovoljnog održavanja, izmjena, preinaka, normalnog trošenja aparata kao također i korištenje neprikladnog goriva, popravljivanja neprikladnim rezervnim dijelovima ili popravki od strane osoblja koje nije distributer tog proizvoda ili tehničkog servisa kojeg je on ovlastio. Uobičajeno normalno održavanje je na teret vlasnika. Proizvođač neće jamčiti niti će se obavezivati direktno i indirektno za nikakvo drugo jamstvo uključujući ono komercijalne prirode ili prisvajanje za određenu uporabu. Ni u kojem slučaju proizvođač neće biti odgovoran za bilo kakvu izravnu ili neizravnu, slučajnu ili posljedičnu štetu koja proizlazi iz uporabe aparata. Proizvođač ostavlja sebi na pravo da unese izmjene u bilo kojem trenutku u ovo jamstvo bez davanja prethodnog obavještenja. Jedino važeće jamstvo je ovo pismeno, proizvođač ne preuzima na sebe nikakvo izraženo ili podrazumijevajuće jamstvo.

► **lt - RIBOTA GARANTIJA IR PAGALBOS TARNYBA  
SAUGOKITE ŠIĄ RIBOTĄ GARANTIJĄ**

Per dvylika (12) mėnesių nuo šio gaminio pirkimo datos gamintojas suteikia garantiją, kad visas prietaisas bendrai ir kiekviena jo detalė neturi gamybinių defektų ar su naudotomis medžiagomis susijusių defektų, nes prietaisas buvo gaminamas laikantis vadove pateiktų veikimo ir priežiūros instrukcijų. Ši garantija yra asmeninė ir pratęsiamą išskirtinai tik prietaiso pirkėjui; jis turės pateikti pirkimo faktūrą. Garantija taikoma tik išlaidoms toms svarbioms detalėms, be kurių prietaisas negali įprastai veikti. Garantija netaikoma gabenimo išlaidoms ar kitoms medžiagoms, susijusioms su garantinėmis detalėmis. Garantija netaikoma dėl netinkamo, neatsargaus, nepakankamo naudojimo, pakeitimų ar modifikacijų kilusiems gedimams, įprastai nusidėvėjusiam gaminiui, dėl netinkamo degalų naudojimo, taisyso naudojant netinkamas atsargines detales ar kai taisyso atlieka ne platintojo ar įgaliotosios techninės pagalbos tarnybos darbuotojai. Įprastą priežiūrą turi atlikti savininkas. Ši garantija teikiama vietoj kitos garantijos ir ja neteikiamos jokios aiškiai nustatytos arba numanomos garantijos, įskaitant bet kokią numanomą įstatymų nustatytą prekinės būsenos arba atitikties specialiajai paskirčiai garantiją. Jokiu gamintojas neprisiima atsakomybės už tiesioginę, netiesioginę žalą, žalą dėl nelaimingų atsitikimų ar logiškai jų sukeltą naudojantis prietaisu. Gamintojas pasilieka teisę bet kuriuo metu ir be išankstinio įspėjimo keisti šią garantiją. Vienintelė galiojanti garantija yra šis raštiškas dokumentas, gamintojas neprisiima jokios aiškiai nustatytos ar numanomos garantijos.



#### ►lv - IEROBEŽOTĀ GARANTIJA UN TEHNISKĀS APKALPOŠANAS SERVISS SAGLABĀT ŠO IEROBEŽOTU GARANTIJU

Divpadsmit (12) mēnešu laikā no šī produkta iegādāšanās datuma, ražotājs garantē, ka šī ierīce, kā arī jebkura tās daļa, neuzrāda defektus ražošanas dēļ vai izmantoto materiālu dēļ, ja tā tika lietota sekojot darbošanās instrukcijām un tehniskās apkopes instrukcijām, kas ir uzrādītas rokasgrāmatā. Šī garantija ir domāta tikai pirmajam ierīces pircējam, kuram būs jāuzrāda pirkuma rēķins. Šī garantija iekļauj tikai to daļu izmaksas, kas ir nepieciešamas, lai atjaunotu ierīci tās normālajā darbībā, un tādēļ tiek izklautas izmaksas saistībā ar transportu vai citiem materiāliem, kas ir saistīti ar daļām, kuras sedz šī garantija. Garantija nesedz, ja bojājumu izraisīja kļūdaina lietošana, iejaukšanās, neuzmanība, nepietiekoša tehniskā apkope, modifikācijas, izmaiņas, normāla produkta nolietošana, kā arī ja tika izmantota neatbilstoša degviela, remonts ar neatbilstošām rezerves daļām vai ja remontu veic personas, kas nav ražotājs vai autorizēts Tehniskās Apkalpošanas Serviss. Normāla tehniskā apkope ir uz īpašnieka rēķina. Ražotājs nedod nekādu citu garantiju, izņemot to, kas ir uzrādīta augstāk un neuzņemas nekādu citu saistību, ne tiešo ne netiešo, saistībā ar citām garantijām, iekļaujot komerciālā rakstura garantiju, vai īpašai izmantošanai. Nekādā gadījumā ražotājs nebūs atbildīgs par tiešiem, netiešiem, gadījuma vai izraisītiem bojājumiem, kas nāk no ierīces lietošanas. Ražotājs patur tiesības veikt šīs garantijas izmaiņas jebkurā brīdī un bez iepriekšējās paziņošanas. Vienīgā derīgā garantija ir šī, ražotājs neizsniedz nekādu citu izteiktu vai neizteiktu garantiju.

#### ►et - PIIRATUD GARANTII JA TEHNILINE TEENINDUS HOIDKE SEE PIIRATUD GARANTII ALLES

Kaheteistkümne (12) kuu jooksul alates selle toote ostmisest garanteerib tootja, et seadmel ega ühelgi selle osal ei esine tootmisest või kasutatud materjalidest tulenevaid defekte, kui seadet kasutatakse juhendis antud töö- ja hooldusjuhiste järgi. Käesolev garantii puudutab ainult seadme algset ostjat, kes peab esitama ostutšeki. Käesolev garantii hõlmab ainult nende osade maksumust, mida on vaja, et seade uuesti normaalsesse töökorda viia. Seega jäävad selle alt välja veokulud ja käesoleva garantiiga kaetud osadega seotud materjali maksumus. Garantiiga ei ole kaetud avariid, mis tulenevad väärust kasutamisest, käsitsemisest, hooletusest, ebapiisavast hooldusest, toote kallal tehtud teisendustest ja muudatustest, normaalsest kulumisest ja ka ebasobiva kütuse kasutamisest, ebasobivate varuosadega parandamisest või parandustöödest, mida on teinud muud töötajad kui edasimüüja või volitatud tehnilise teeninduse omad. Tavapärane hooldus on omaniku ülesanne. Tootja ei garanteeri ega võta enda kanda otseselt ega kaudselt ühtegi muud garantiid, sh kaubagarantiid või mõneks spetsiaalseks otstarbeks omandamise puhuks. Tootja ei ole mingil juhul vastutav seadme kasutamisest põhjustatud otsese, kaudse, juhusliku või muu kahju eest. Tootja jätab endale õiguse käesolevat garantiid mis tahes hetkel etteteatamata muuta. Ainus kehtiv garantii on käesolev dokument, tootja ei anna muud selgesõnalist ega vaikimisi garantiid.

#### ►ro - GARANȚIE LIMITATĂ ȘI SERVICIU DE ASISTENȚĂ - SERVICE PĂSTRAȚI ACEASTĂ GARANȚIE LIMITATĂ

În intervalul de timp de doisprezece (12) luni de la data cumpărării acestui produs, producătorul garantează că aparatul, precum și fiecare componentă a acestuia, nu prezintă defecte de fabricație sau datorate materialelor folosite; aparatul trebuie folosit conform instrucțiunilor de funcționare și întreținere indicate în manual. Prezenta garanție se acordă numai cumpărătorului direct al aparatului care va trebui să prezinte factura de cumpărare. Prezenta garanție acoperă numai costul componentelor necesare pentru ca aparatul să funcționeze în condiții normale. Sunt excluse costuri privind transportul sau al altor materiale asociate componentelor acoperite de prezenta garanție. Nu sunt acoperite de garanție defectele datorate utilizării incorecte, manipulărilor, neglijenței, întreținerii insuficiente, modificărilor, uzurii normale a produsului, precum și datorate utilizării combustibilului neconform, reparațiilor sau utilizării pieselor de schimb neadecvate și reparațiilor realizate de personal altul decât distribuitorul sau serviciul tehnic autorizat. Întreținerea ordinară este în sarcina proprietarului. Producătorul nu garantează și nici nu își asumă responsabilitatea directă sau indirectă pentru nici un alt fel de garanție, inclusiv cea cu caracter comercial sau în cazul cumpărării acestuia cu un anumit scop de folosire. În nici un caz producătorul nu poate fi considerat responsabil pentru daune directe, indirecte, accidentale sau derivate din utilizarea aparatului. Producătorul își rezervă dreptul de a aduce modificări prezentei garanții în orice moment și fără preaviz. Singura garanție valabilă este cea de față, producătorul nu oferă nici un alt fel de garanție, fie ea explicită sau implicită.

#### ►sk - OBMEDZENÁ ZÁRUKA A ASISTENČNÁ SLUŽBA USCHOVÁVAJTE TÚTO OBMEDZENÚ ZÁRUKU

Počas obdobia dvanástich (12) mesiacov od dátumu nákupu tohto produktu výrobca zaručuje, že zariadenie, ako všetky jeho časti, je bez závad vzniknutých v dôsledku výroby alebo použitých materiálov, za predpokladu, že samotný prístroj bol používaný podľa pokynov v príručke na použitie a údržbu. Táto záruka sa vzťahuje len na pôvodného nákupcu prístroja, ktorý musí predložiť faktúru o kúpe. Táto záruka pokrýva iba náklady dielov, potrebných pre navrátenie výrobku do normálneho stavu fungovania. Preto vylučuje náklady na dopravu či ďalšie materiály, spojené s časťami, na ktoré sa vzťahuje táto záruka. Zo záruky sú vylúčené poškodenia, spôsobené nesprávnym používaním, nedbalosťou, špatnou údržbou, modifikáciami a úpravami, bežným opotrebovaním výrobku; ako aj škody, zapríčinené používaním nevhodného paliva, opravami s nevhodnými náhradnými dielmi alebo opravami, vykonávanými personálom odlišným od personálu predajcu alebo autorizovanej technickej servisnej služby. Bežná údržba je úlohou majiteľa. Výrobca nezaručuje ani nepreberá, priamo či nepriamo, akékoľvek iné záruky, vrátane záruky obchodnej povahy alebo záruky pre prispôbenie výrobku na zvláštne použitie. Výrobca nie je v žiadnom prípade zodpovedný za akékoľvek priame, nepriame, náhodné alebo následné škody, vyplývajúce z použitia zariadenia. Výrobca si vyhradzuje právo kedykoľvek a bez predchádzajúceho upozornenia zmeniť túto záruku. Jedinou platnou zárukou je táto písomná listina, výrobca neuznáva žiadnu inú záruku, ani vyjadrenú, ani implicitnú.

► **bg - ОГРАНИЧЕНА ГАРАНЦИЯ И СЕРВИЗ ЗА ТЕХНИЧЕСКО ОБСЛУЖВАНЕ  
ДА СЕ СЪХРАНЯВА НАСТОЯЩАТА ОГРАНИЧЕНА ГАРАНЦИЯ**

По време на периода от дванадесет (12) месеца, смятано от датата на покупка на това изделие, производителят покрива гаранцията на уреда, и на всяка негова част, по отношение на наличие на производствени дефекти или използвани материали, при всички случаи само когато изделието се използва, в съответствие с указанията за работа и поддръжка, указани в наръчника. Настоящата гаранция важи единствено за първоначалният купувач на уреда, който трябва да представи фактура за извършена покупка. Настоящата гаранция покрива и разходите за частите, необходими за възстановяване нормално действие на уреда. В нея не се включват, съответните транспортни разходи или други материали в тази връзка, за частите покрити от настоящата гаранция. Не влизат в гаранцията, аварии вследствие на неправилна употреба, манипулации, невнимание, недостатъчна поддръжка, промени, модификации, нормално износване на изделието, както и вследствие ползване на неодобрен горивен газ, смени с неподходящи резервни части или ремонти извършвани от друг персонал, освен от дистрибутора или оторизиран технически сервиз. Нормалната поддръжка е за сметка на собственика. Производителят не гарантира, нито поема пряк или непряк ангажимент, във връзка с каквато и да е друга гаранция, включително и търговската или вследствие на придобиване за специална употреба. При никакви обстоятелства, производителят не носи отговорност за преки, косвени, случайни или последващи щети, свързани с употреба на уреда. Производителят си запазва правото да променя настоящата гаранция, по всяко време и без предварително предизвестие. Единствената гаранция в сила е настоящият текст, производителят не приема никаква друга словесна или несловесна гаранция.

► **uk - ОБМЕЖЕНА ГАРАНТИЯ І ТЕХНІЧНЕ ОБСЛУГОВУВАННЯ  
ЗБЕРІГАЙТЕ ЦЮ ОБМЕЖЕНУ ГАРАНТІЮ**

Протягом дванадцяти (12) місяців, починаючи з дати придбання цього виробу, виробник гарантує, що пристрій, як і всі його комплектуючі, не має дефектів, спричинених процесом вироблення або використаними матеріалами, за умови, що пристрій використовується з дотриманням інструкцій з експлуатації й обслуговуванню, які містяться в даному посібнику. Ця гарантія поширюється лише на справжнього покупця пристрою, який має представити чек або рахунок. Ця гарантія поширюється лише на вартість деталей, необхідних для повернення пристрою до нормального робочого стану. Тому гарантія не поширюється на витрати на транспортування або на інші деталі, пов'язані з деталями, на які поширюється ця гарантія. Гарантія не поширюється на поломки, що сталися в результаті неправильної експлуатації пристрою, неналежного обслуговування, деформації, внесення конструктивних змін, звичайного зношення виробу, а також через використання невідповідного пального, ремонт з використанням неналежних запчастин, або через ремонт, проведений фахівцями, які не мають відношення до виробника або авторизованої служби технічного обслуговування. Відповідальність за повсякденне обслуговування несе власник. Виробник не гарантує і не несе прямої або непрямой відповідальності за будь-яку іншу гарантію, включаючи гарантію торговельного характеру або наслідки особливої експлуатації. Ні в якому разі виробник не несе відповідальність за прямі, непрямі, випадкові збитки, які є наслідком використання пристрою. Виробник залишає за собою право в будь-який момент і без попереднього оповіщення вносити зміни до цієї гарантії. Єдиною чинною гарантією є цей документ, і виробник не бере на себе жодних чітких або ймовірних гарантій.

► **bs - OGRANIČENA GARANCIJA I SERVISNA USLUGA  
SAČUVAJTE OVU OGRANIČENU GARANCIJU**

Tokom perioda od dvanaest (12) mjeseci polazeći od datuma kupovine ovog proizvoda, proizvođač garantira da proizvod kao i svi njegovi dijelovi nemaju mana koje su posljedica proizvodnje i korištenih materijala ali samo ako se on koristi pridržavanjem uputstava o radu i održavanju navednih u priručniku. Ova se garancija odnosi isključivo na prvobitnog kupca aparata koji mora pokazati račun o kupovini. Ova garancija obuhvaća samo troškove dijelova koji su potrebni da bi se aparat vratio u svoje normalno stanje rada. Zato ostaju isključenima troškovi vezani za transport ili drugi materijali u vezi sa dijelovima pokrivenim ovom garancijom. Nisu pokriveni garancijom kvarovi koji su posljedica pogrešne upotrebe, nepar, nedovoljno održavanje, izmjene, promjene, normalno trošenje proizvoda kao također i korištenje neprikladnog goriva, popravke neprikladnim rezervnim dijelovima ili one koje je obavilo drugačije osoblje od onog zaduženog za servisiranje i distributeri proizvoda. Obično održavanje je na teret vlasnika. Proizvođač ne garantira, niti preuzima na sebe direktno ili indirektno bilo kakvu drugu garanciju uključujući i onu komercijalne prirode ili aproprijacije za neku posebnu upotrebu. Proizvođač neće biti odgovoran ni u kom slučaju za štetu direktnu ili indirektnu, slučajnu ili posljedičnu koja proističe iz korištenja aparata. Proizvođač ostavlja sebi na pravo da promijeni u bilo kojem trenutku i bez davanja prethodnog obavještenja ovu garanciju. Jedino važeća garancija je ova napisana, proizvođač ne preuzima na sebe nikakvu izraženu ili impliciranu garanciju.

► **el - ΠΕΡΙΟΡΙΣΜΕΝΗ ΕΓΓΥΗΣΗ ΚΑΙ ΥΠΗΡΕΣΙΑ ΤΕΧΝΙΚΗΣ ΥΠΟΣΤΗΡΙΞΗΣ  
ΦΥΛΑΞΤΕ ΤΗΝ ΠΑΡΟΥΣΑ ΠΕΡΙΟΡΙΣΜΕΝΗ ΕΓΓΥΗΣΗ**

Κατά την περίοδο των δώδεκα (12) μηνών από την ημερομηνία αγοράς του προϊόντος αυτού, ο κατασκευαστής εγγυάται ότι η συσκευή, όπως κάθε άλλο εξάρτημά της, δεν παρουσιάζει ελαττώματα λόγω κατασκευής ή χρησιμοποιημένων υλικών, υπό τον όρο ότι η ίδια χρησιμοποιήθηκε πάντα σύμφωνα με τις οδηγίες λειτουργίας και συντήρησης που ενδείκνυνται στο εγχειρίδιο. Η παρούσα εγγύηση καλύπτει μόνο τον αρχικό αγοραστή της συσκευής, ο οποίος θα πρέπει να παρουσιάσει την απόδειξη αγοράς. Η παρούσα εγγύηση αποκλείει μόνο το κόστος των απαραίτητων μερών για την επαναφορά της συσκευής στην κανονική κατάσταση λειτουργίας. Αποκλείεται επομένως το κόστος μεταφοράς ή άλλων υλικών που συνδέονται με τα μέρη που καλύπτονται από την παρούσα εγγύηση. Εξαιρούνται από το κόστος της εγγύησης, οι ζημιές που προκαλούνται από λάθος χρήση, χειρισμό, αμέλεια, κακή συντήρηση, παραποιήσεις, μετατροπές, φυσική φθορά του προϊόντος, καθώς επίσης και από τη χρήση καυσίμων που δεν είναι σύμφωνα, επισκευές με ακατάλληλα ανταλλακτικά ή επισκευές από προσωπικό ή από υπηρεσία τεχνικής υποστήριξης που δεν είναι

εξουσιοδοτημένη από τον αντιπρόσωπο. Η κανονική συντήρηση είναι αρμοδιότητα του ιδιοκτήτη. Ο κατασκευαστής δεν εγγυάται και ούτε ευθύνεται άμεσα ή έμμεσα για οποιαδήποτε άλλη εγγύηση, συμπεριλαμβανομένης εκείνης που είναι εμπορικής φύσης ή για την ιδιοποίηση μιας συγκεκριμένης χρήσης. Σε καμία περίπτωση ο κατασκευαστής δεν ευθύνεται για άμεσες, έμμεσες, τυχαίες ή κατά συνέπεια ζημιές, που προέρχονται από τη χρήση της συσκευής. Ο κατασκευαστής διατηρεί το δικαίωμα να τροποποιεί οποιαδήποτε στιγμή και χωρίς προειδοποίηση την παρούσα εγγύηση. Η μόνη εγγύηση που ισχύει είναι η παρούσα γραφή, ο κατασκευαστής δεν αναλαμβάνει καμία εγγύηση ρητή ή και υπονοούμενη.

► zh - 有限责任和售后服务

生产者对设备负有有限责任

从此产品被购买的当天开始计算的(12个月内，在用户严格按照使用维护手册对设备进行操作和维护的前提下，生产商保证这台设备和其所有零件不会因为在生产过程中产生的错误或者因为生产所使用的材料而发生问题，损坏或无效。此项质量保证只对原始购买者有效，并必须提供对应的发票单据。在上述情况下，当设备发生故障而停止工作后，此项质量保证仅承担将设备还原到原始正常的工作状态所必须零件的成本，不包括因此引起的运输或者其他相关材料的成本费用。因为以下原因引起的故障，不在上述质保范围内：错误的使用，操作，疏忽失误，缺少维护，随意变更替换，修改，正常损耗，使用不符合规定的燃料，使用不符合规定的零件，通过没有售后服务技术授权的人员或者非授权经销商进行维修等。设备进行定期维护属于最终用户的责任。生产商不承担任何商业性质或者某些特殊用途所引起的直接或间接责任。在任何情况下，生产商对在正常使用过程中产生的直接，间接，偶然或必然的损失负责。生产商对此质量保证条款保留最终解释权和修改权，且无需提前告知。此份质量保证是唯一生效的，生产商不对任何未表述的或者暗示的条款负责。

► kk - ШЕКТЕУЛІ КЕПІЛДІК ЖӘНЕ САТУДАН КЕЙІНГІ СЕРВИСТІК ҚЫЗМЕТ КӨРСЕТУ

ОСЫ ЖЕТЕКШІЛІКТІ САҚТАП ҚОЙЫҢЫЗ

Өндіруші бұл өнімде фабрикалық ақаулар мен кемшіліктер жоқ екендігіне кепілдік береді, осыған орай оған 12 айға сатып алу күнінен бастап кепілдеме береді, пайдаланушыға арналған жетекшілікте сипатталған ұсыныстарға сәйкес техникалық қызмет көрсетілуін және сол мақсаттарда пайдаланылатын болса жағдайда. Бұл кепілдеме сатылып алынған түпнұсқалы өнімге ғана тарайды және сатып алуды растайтын құжаттың болуында (инвойс) ған тарайды. Кепілдеме қондырғының дұрыс қалыпта функционалдануын қамтамасыз етуге арналған қажетті бөлшектеріне ғана таралады. Бұл кепілдеме транспортпен байланысты, немесе осы кепілдеме таралатын бөлшектерге байланысты басқа материалдардың шығындарды өтеуге таралмайды. Кепілдеме қондырғыны дұрыс пайдаланбау нәтижесінде, дұрыс қарамау, дұрыс техникалық қызмет көрсетпеген, көп жұмыс істеу және модификация, құралдың тозуында таралмайды, сонымен қатар спецификацияда көрсетілген жанармайдың сәйкес болмауы, түпнұсқалы емес бөлшектерді жөндеу кезінде орнатқанда немесе мамандығы жоқ адамдармен жөндеу жұмыстары жүргізілгенде таралмайды. Техникалық қызмет көрсету бойынша жалпы кезеңді жұмыстар қондырғының иесіне тиесілі. Өндіруші кез келген берілген, соның ішінде коммерциялы сипаттағы, кепілдемеге өзіне тікелей және жанама жауапкершілік алмайды. Өндіруші қондырғыны пайдалану кезеңінде пайда болған кездейсоқ, жанама, тура ақауларға жауапкершілік алмайды. Өндіруші өзіне осы кепілдемеге кез келген уақытта алдын ала ескертусіз өзгертулер енгізу құқығын қалдырады. Бұл кепілдеме әрекет ететін жалғыз кепілдеме болып табылады. Өндіруші басқа ешқандай кепілдеме қабылдамайды, көрсетілген немесе қисынды.

Model: \_\_\_\_\_

Serial Number: \_\_\_\_\_

Date of Purchase: \_\_\_\_\_

► en - DISPOSAL OF THE PRODUCT

-This product has been designed and manufactured with top-quality materials and components, which can be re-cycled and re-used. When a crossed-wheely bin symbol is attached to the product, it means that the product is protected by the, 2012/19/UE European Directive.

-Please obtain information regarding the local differentiated collection system for electrical and electronic products.

-Respect local Standards in force and do not dispose of old products as normal domestic waste. Correct disposal of the product helps to prevent possible negative consequences for health, the environment and mankind.

► it - SMALTIMENTO DEL PRODOTTO

-Questo prodotto è stato progettato e fabbricato con materiali e componenti di alta qualità, che possono essere riciclati e riutilizzati.

-Quando ad un prodotto è attaccato il simbolo del bidone con le ruote segnato da una croce, significa che il prodotto è tutelato dalla Direttiva Europea 2012/19/UE.

-Si prega di informarsi in merito al sistema locale di raccolta differenziata per i prodotti elettrici ed elettronici.

-Rispettare le norme locali in vigore e non smaltire i prodotti vecchi nei normali rifiuti domestici. Il corretto smaltimento del prodotto aiuta ad evitare possibili conseguenze negative per la salute dell'ambiente e dell'uomo.

► de - ENTSORGUNG DES PRODUKTS

-Dieses Produkt wurde unter Verwendung von Qualitätsmaterialien und -bauteilen entwickelt und hergestellt, die recycelt und wieder verwendet werden können.

-Ist ein Produkt gekennzeichnet durch die Mülltonne mit Rädern und einem Kreuz, wird hier angezeigt, dass dieses Produkt durch die europäische Direktive 2012/19/UE überwacht ist.

-Es wird gebeten, sich über die vor Ort bestehende Mülltrennung bezüglich elektrischer und elektronischer Produkte zu informieren.

-Die vor Ort geltenden Vorschriften zur Müllentsorgung müssen eingehalten werden und alte Produkte dürfen nicht zusammen mit dem Hausmüll entsorgt werden. Die ordnungsgemäße Entsorgung des Produkts hilft mögliche negative Folgen für Gesundheit und Umwelt zu vermeiden.

► es - ELIMINACIÓN DEL PRODUCTO

-Este producto ha sido diseñado y fabricado con materiales y componentes de alta calidad que se pueden reciclar y reutilizar.

-Cuando en el producto se encuentra el símbolo del contenedor con las ruedas tachado con una cruz, significa que el producto está tutelado por la Directiva europea 2012/19/UE.

-Se ruega informarse acerca del sistema local de recogida selectiva para los productos eléctricos y electrónicos.

-Respete las normas locales vigentes y no elimine los productos viejos junto con los residuos domésticos normales. La eliminación correcta del producto ayuda a evitar posibles consecuencias negativas para la salud del ambiente y del hombre.

► fr - SE DÉBARRASSER DE VOTRE PRODUIT USAGÉ

-Ce produit a été conçu et fabriqué avec des matériaux et des composants de haute qualité, qui peuvent être recyclés et utilisés de nouveau.

-Lorsque le symbole d'une poubelle à roue barrée est appliqué à un produit, cela signifie que le produit est couvert par la Directive Européenne 2012/19/UE.

-Veuillez vous informer du système local de séparation des déchets électriques et électroniques.

-Veuillez agir selon les règles locale set ne pas jeter vos produits usagés avec les déchets domestiques usuels. Jeter correctement votre produit usagé aidera à prévenir les conséquences négatives potentielles contre l'environnement et la santé humaine.

► nl - VERWIJDERING VAN HET PRODUCT

-Dit product werd ontworpen en gemaakt met hoogwaardige materialen en componenten, die gerecycleerd en herbruikt kunnen worden.

-Wanneer op een product het symbool van de afvalbak op wielen met een kruis erdoor is aangebracht, betekent dit dat het product valt onder de Europese Richtlijn 2012/19/UE.

-Gelieve inlichtingen in te winnen betreffende het plaatselijke systeem voor gedifferentieerde inzameling van elektrische en elektronische toestellen.

-Respecteer de plaatselijke normen die van kracht zijn, en verwijder de oude toestellen niet als gewoon huishoudelijk afval. Een correcte verwijdering van het product helpt om mogelijke negatieve gevolgen voor de gezondheid van mens en milieu te voorkomen.

► pt - ELIMINAÇÃO DO PRODUTO

-Este produto foi projetado e fabricado com materiais e componentes de alta qualidade que podem ser reciclados e reutilizados.

-Quando for afixado em um produto o símbolo do bidão com rodas marcado com uma cruz, significa que o produto é protegido pela Diretiva Europeia 2012/19/UE.

-Solicitamos informar-se sobre o sistema local de recolha diferenciada para os produtos elétricos e eletrônicos.

-Respeitar as normas locais em vigor e não eliminar os produtos antigos como normais detritos domésticos. A correta eliminação do produto ajuda a evitar possíveis consequências negativas para a saúde do ambiente e do homem.

#### ► da - BORTSKAFFELSE

- Dette produkt er designet og fremstillet med materialer og dele af høj kvalitet, der kan genanvendes.
- Når et produkt er mærket med symbolet, der viser en affaldsspand på hjul med et kryds over, betyder det, at produktet er beskyttet af EF-Direktiv 2012/19/UE.
- Der henstilles til, at man informerer sig angående det lokale affaldssorteringssystem for elektriske og elektroniske produkter.
- De gældende lokale regler skal overholdes, og de gamle produkter må ikke bortskaffes sammen med husholdningsaffaldet. Ved at bortskaffe dette produkt korrekt, medvirker De til at forhindre eventuelle negative påvirkninger af miljøet og folkesundheden.

#### ► fi - TUOTTEEN HÄVITTÄMINEN

- Tämä tuote on suunniteltu ja valmistettu korkealaatuisia materiaaleja ja osia käyttämällä, jotka voidaan kierrättää ja käyttää uudelleen.
- Kun tuotteeseen on kiinnitetty viivattu roskasäiliön merkki, se tarkoittaa, että tuotetta suojaa Euroopan yhteisön direktiivi 2012/19/UE.
- Hanki tietoja paikallisesta sähkö- ja elektroniikkaromujen erilliskeräyksestä.
- Noudata voimassa oleva määräyksiä äläkä hävitä vanhoja tuotteita kotitalousjätteiden mukana. Tuotteen oikea hävittäminen auttaa suojelemaan luontoa ja välttää väärän romutuksen aiheuttamien terveysriskien syntymistä.

#### ► no - AVFALLSHÅNTERING

- Dette produktet er utformet og produsert med materialer og deler av høy kvalitet, og som kan gjenvinnes.
- Når det på et produkt finnes et symbol som forestiller en avfallsbeholder med et kryss over, betyr dette at produktet er underlagt EU-direktiv 2012/19/UE.
- Vennligst informer dere angående de lokale reglene som gjelder kassering av elektrisk og elektronisk avfall.
- Ta hensyn til gjeldende regelverk og ikke kast gamle produkter sammen med husholdningsavfall. Riktig avfallshåndtering av produktet bidrar til å unngå potensielle negative konsekvenser for miljøet og menneskenes helse.

#### ► sv - PRODUKTENS BORTSKAFFANDE

- Den här produkten har projekterats och tillverkats med material och komponenter av hög kvalitet som kan återvinnas och återanvändas.
- När ett klistermärke med en symbol med överkorsad soptunna med hjul sitter på produkten, betyder detta att produkten är skyddad av Eu-direktiv 2012/19/UE.
- Vi ber er inhämta upplysningar vid er lokala återvinningsstation för elektriska och elektroniska produkter.
- Följ lokala gällande bestämmelser och skaffa inte bort förbrukade produkter i det vanliga hushållsavfallet. Ett korrekt bortskaffande av produkten hjälper till att undvika möjliga negativa effekter på miljö- och människohälsa.

#### ► pl - UTYLIZACJA PRODUKTU

- Niniejszy produkt został wyprodukowany z najwyższej jakości materiałów, które mogą być poddane recyklingowi i zostać ponownie użyte.
- Symbol przekreślonego kosza na śmieci umieszczony na sprzęcie, opakowaniu lub dokumentach do niego dołączonych oznacza, że produktu nie wolno wyrzucać łącznie z innymi odpadami. Obowiązkiem użytkownika jest przekazanie zużytego sprzętu do wyznaczonego punktu zbiórki w celu właściwego jego przetworzenia. Oznakowanie oznacza jednocześnie, że sprzęt został wprowadzony do obrotu po dniu 13 sierpnia 2005 r.
- Należy zapoznać się z lokalnym systemem zbiórki produktów elektronicznych i elektrycznych.
- Informacje o dostępnym systemie zbierania zużytego sprzętu elektrycznego można znaleźć w punkcie informacyjnym sklepu oraz w urzędzie miasta/gminy.
- Odpowiednie postępowanie ze użytym sprzętem zapobiega negatywnym konsekwencjom dla środowiska i ludzkiego zdrowia!

#### ► cs - LIKVIDACE VÝROBKU

- Tento výrobek byl navržen a vyroben z vysoce kvalitních materiálů a komponentů, které lze recyklovat a znovu použít.
- Je-li na výrobku symbol přeškrtnutého kontejneru, znamená to, že na výrobek se vztahuje Evropská Směrnice 2012/19/UE.
- Informujte se o místním systému pro oddělený sběr elektrických a elektronických výrobků.
- Dodržujte místní předpisy a nelikvidujte staré produkty spolu s běžným komunálním odpadem. Správná likvidace výrobku pomůže předcházet možným negativním dopadům na životní prostředí a lidské zdraví.

#### ► hu - HULLADÉKBA HELYEZÉS

- A termék kiváló minőségű újrahazsnosítható és újból felhasználható alkotóelemek felhasználásával készült.
- Ha terméken elhelyezésre került az áthúzott hulladékgyűjtőt ábrázoló jel, az azt jelenti, hogy a termékre a 2012/19/UE irányelv vonatkozik.
- Kérjük, tájékozódjon az elektromos és elektronikus hulladékok szelektív gyűjtéséről.
- Tartsa be a helyben hatályos előírásokat, és ne a terméket ne helyezze a háztartási hulladékgyűjtőbe. A megfelelő hulladékgyűjtéssel elkerülhető, hogy a hulladékok károsítsák a környezetet ill. az emberi egészséget.

#### ►sl - ODLAGANJE IZDELKA

- Ta izdelek je bil zasnovan in izdelan iz materialov in komponent visoke kakovosti, ki jih je mogoče reciklirati in ponovno uporabiti.
- Ko je izdelek označen z znamenjem prekrižanega smetnjaka na kolesih, pomeni, da zanj veljajo določbe evropske Direktive 2012/19/UE.
- Pozanimajte se o načinu ločenega zbiranja električne in elektronske opreme, ki velja v vašem kraju.
- Upoštevajte veljavne predpise in odsluženih izdelkov ne odlagajte med gospodinjske odpadke. Pravilno odlaganje izdelka prispeva k izogibanju morebitnim negativnim posledicam za zdravje okolja in ljudi.

#### ►tr - ÜRÜNÜN İMHA EDİLMESİ

- Bu ürün, geri dönüştürülüp tekrar kullanılabilen, yüksek kaliteli malzeme ve bileşenler kullanılarak tasarlanıp üretilmiştir.
- Herhangi bir üründe, üzerinde çarpı işareti bulunan tekerlekli bidon bulunuyorsa bu, ürünün 2012/19/UE Avrupa Direktifi tarafından konurduğunu belirtir.
- Lütfen bulunduğunuz bölgedeki elektrikli ve elektronik aletler için olan çöp ayrıştırma sistemi ile ilgili bilgi edininiz.
- Konuyla ilgili yerel düzenlemelere uyunuz ve eski ürünleri normal evsel atıklarla beraber atmayınız. Ürünün doğru şekilde imha edilmesi, çevre ve insan sağlığını tehdit edici olumsuz sonuçların önlenmesine yardımcı olur.

#### ►hr - ODBACIVANJE PROIZVODA

- Ovaj je proizvod osmišljen i izrađen s visokokvalitetnim materijalima i komponentama koje se mogu reciklirati i ponovno iskoristiti.
- Kada se na proizvod stavi simbol prekrižene kante na kotačima, to znači da je on podvrgnut Europskoj Smjernici 2012/19/UE.
- Informirajte se u svezi s lokalnim načinom diferencijalnog sakupljanja električnih i elektronskih proizvoda.
- Pošaljite lokalne propise na snazi i ne odbacujte stare proizvode zajedno sa običnim kućnim otpadom. Pravilnim odbacivanjem proizvoda spriječit ćete moguće negativne posljedice za okoliš i za zdravlje ljudi.

#### ►lt - GAMINIO SUNAIKINIMAS

- Šis gaminys buvo sukurtas ir pagamintas iš aukštos kokybės medžiagų bei dalių, kurios gali būti perdirbtos arba panaudotos dar kartą.
- Kai gaminys yra pažymėtas perbraukto atliekų konteinerio su ratukais ženklų, tai reiškia, kad gaminys yra saugomas pagal ES direktyvą 2012/19/UE.
- Prašome pasidomėti apie vietinę elektros ir elektronikos atliekų rūšiavimo sistemą.
- Laikykites vietinių galiojančių taisyklių ir nemeskite senų gaminių su įprastomis buitinėmis atliekomis. Tinkamai sunaikinę gaminį išvengsite galimų neigiamų pasekmių aplinkai ir žmonių sveikatai.

#### ►lv - PRODUKTA IZNĪCINĀŠANA

- Šis produkts tika izveidots un ražots ar augstas kvalitātes materiāliem un sastāvdaļām, kas var būt savāktas un atkārtoti izmantotas.
- Kad pie produkta ir piestiprināts atkritumu tvertnes simbols ar riteņiem, kas ir pārsvītrots ar krustu, tas nozīmē, ka produktu aizstāv Eiropas Direktīva 2012/19/UE.
- Lūdzam Jūs gūt informāciju par vietēju centru, kas savāc elektriskās un elektroniskā ierīces.
- Ievērot vietējās pastāvošās normas un neiznīcināt vecus produktus, kā parastus mājas atkritumus. Produkta pareizā iznīcināšana palīdz izvairīties no iespējamām negatīvām sekām vides un cilvēku veselībai.

#### ►et - TOOTE KASUTUSEST KÕRVALDAMINE

- See toode on projekteeritud ja toodetud kvaliteetsetest materjalidest ja osadest, mida võib uuesti ringlusse võtta ja korduskasutada.
- Kui tootel on märk, millel on ratastega prügikast, millele on rist peale tõmmatud, tähendab see, et toodet kaitseb Euroopa direktiiv 2012/19/UE.
- Palun tutvuge kohaliku elektri- ja elektroonikatoodete lahuskogumise süsteemiga.
- Täitke kehtivaid kohalikke õigusnorme ning ärge visake vana toodet olmejäätmete hulka. Toote õige kõrvaldamine aitab vältida võimalikke negatiivseid tagajärgi keskkonna ja inimeste tervisele.

#### ►ro - SCOATEREA DEFINITIVĂ DIN UZ A PRODUSULUI

- Acest produs a fost proiectat și fabricat cu materiale și componente de înaltă calitate care pot fi reciclate și refolosite.
- Când pe produs este aplicat simbolul unei pubele cu roți, marcată cu o cruce, înseamnă că produsul respectiv este conform Directivei Europene 2012/19/UE.
- Vă rugăm să vă informați în ceea ce privește colectarea separată a produselor electrice și electronice.
- Respectați normele locale în vigoare și nu depozitați produsele vechi împreună cu deșeurile menajere. Eliminarea corectă a produsului ajută la eliminarea consecințelor negative pe care acesta le poate avea asupra mediului înconjurător și a persoanelor.

#### ►sk - LIKVIDÁCIA VÝROBKU

- Tento výrobok bol navrhnutý a vyrobený z vysoko kvalitných materiálov a komponentov, ktoré je možné recyklovať a znovu použiť.
- Ak je na výrobku symbol prečiarknutého kontajnera, znamená to, že na výrobok sa vzťahuje Európska Smernica 2012/19/UE.
- Informujte sa o miestnom systéme pre oddelený zber elektrických a elektronických výrobkov.
- Dodržujte miestne predpisy a nelikvidujte staré produkty spolu s bežným komunálnym odpadom. Správna likvidácia výrobku pomôže predchádzať možným negatívnym dopadom na životné prostredie a ľudské zdravie.

► **bg - ИЗХВЪРЛЯНЕ НА УРЕДА**

-Това изделие е проектирано и произведено с материали и компоненти от високо качество, които могат да се рециклират или използват повторно.

-Когато на някое изделие е поставен символ с бидон на колелца, маркиран с хикс, това означава, че изделието е защитено съгласно Европейска Директива 2012/19/UE.

-Моля да се информирате относно местната система за разделно изхвърляне на електрически и електронни изделия.

-Спазвайте действащите местни нормативи и не изхвърляйте изделията, заедно с нормалните домакински отпадъци. Правилното изхвърляне на изделията, помага за избягване на възможни отрицателни последици, за здравето на хората и за опазване на околната среда.

► **uk - УТИЛІЗАЦІЯ ВИРОБУ**

-Цей виріб був спроектований і вироблений з використанням високоякісних матеріалів і комплектуючих, які можуть бути повторно перероблені і використані.

-Якщо на виріб нанесено символ перекресленого бака з колесами для сміття, це означає, що виріб відповідає Директиві Європейського Союзу 2012/19/UE.

-Просимо ознайомитися з інформацією щодо місцевої системи роздільного збору сміття для електричного і електронного обладнання.

-Дотримуйтеся чинних місцевих правил і не викидайте старі вироби до звичайних побутових відходів. Правильна утилізація виробу допомагає уникнути можливих негативних наслідків для довкілля і здоров'я людей.

► **bs - ODLAGANJE PROIZVODA**

-Ovaj je proizvod dizajniran i proizveden korištenjem materijala i komponenata visoke kvalitete koji se mogu reciklirati i ponovo koristiti.

-Kada se na ovaj proizvod postavi simbol prekrizene kante /obilježene krstom na točkovima, to znači da je proizvod podložan Evropskoj Direktivi 2012/19/UE.

-Molimo Vas da se informirate o lokalnom sistemu diferencijalnog sakupljanja električnih i elektronskih proizvoda.

-Poštujte lokalne propise na snazi i ne odbacujte stare proizvode u obični kućanski otpad. Pravilno odlaganje proizvoda pomaže i onemogućuje negativne posljedice za zdravlje ljudi i okoliša

► **el - ΔΙΑΘΕΣΗ ΤΟΥ ΠΡΟΪΟΝΤΟΣ**

-Το προϊόν αυτό σχεδιάστηκε και κατασκευάστηκε με υλικά και εξαρτήματα υψηλής ποιότητας, τα οποία μπορούν να ανακυκλωθούν και να ξαναχρησιμοποιηθούν.

-Όταν ένα προϊόν είναι συνδεδεμένο με το σύμβολο του διαγεγραμμένου τροχοφόρου σημειωμένο με ένα σταυρό, σημαίνει ότι το προϊόν καλύπτεται από την Ευρωπαϊκή Οδηγία 2012/19/UE.

-Σας συνιστούμε να ενημερωθείτε σχετικά με το τοπικό σύστημα συλλογής για την ανακύκλωση ηλεκτρικών και ηλεκτρονικών προϊόντων.

-Τηρήστε τους τοπικούς κανονισμούς που ισχύουν και μην απορρίπτετε τα παλαιά προϊόντα στα οικιακά απορρίμματα. Η σωστή διάθεση του προϊόντος βοηθά στην αποφυγή πιθανών αρνητικών συνεπειών για την υγεία του περιβάλλοντος και του ανθρώπου.

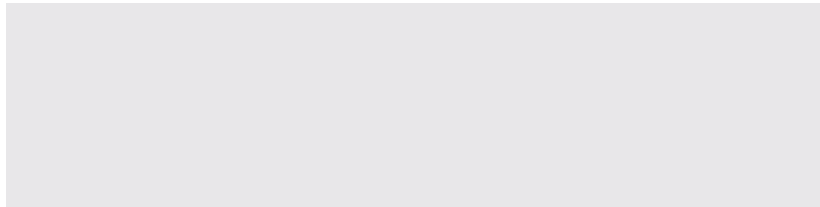
► **zh - 弃置旧的产品**

-该产品是由高质量的原材料和零配件生产而成的，可以进行回收再利用

-当这个标识标签出现在产品上时，它表明这个产品符合 European Directive 2012/19/UE 标准。

-请熟知产品实际使用地关于处理废弃的电子元件的相关法律规定。

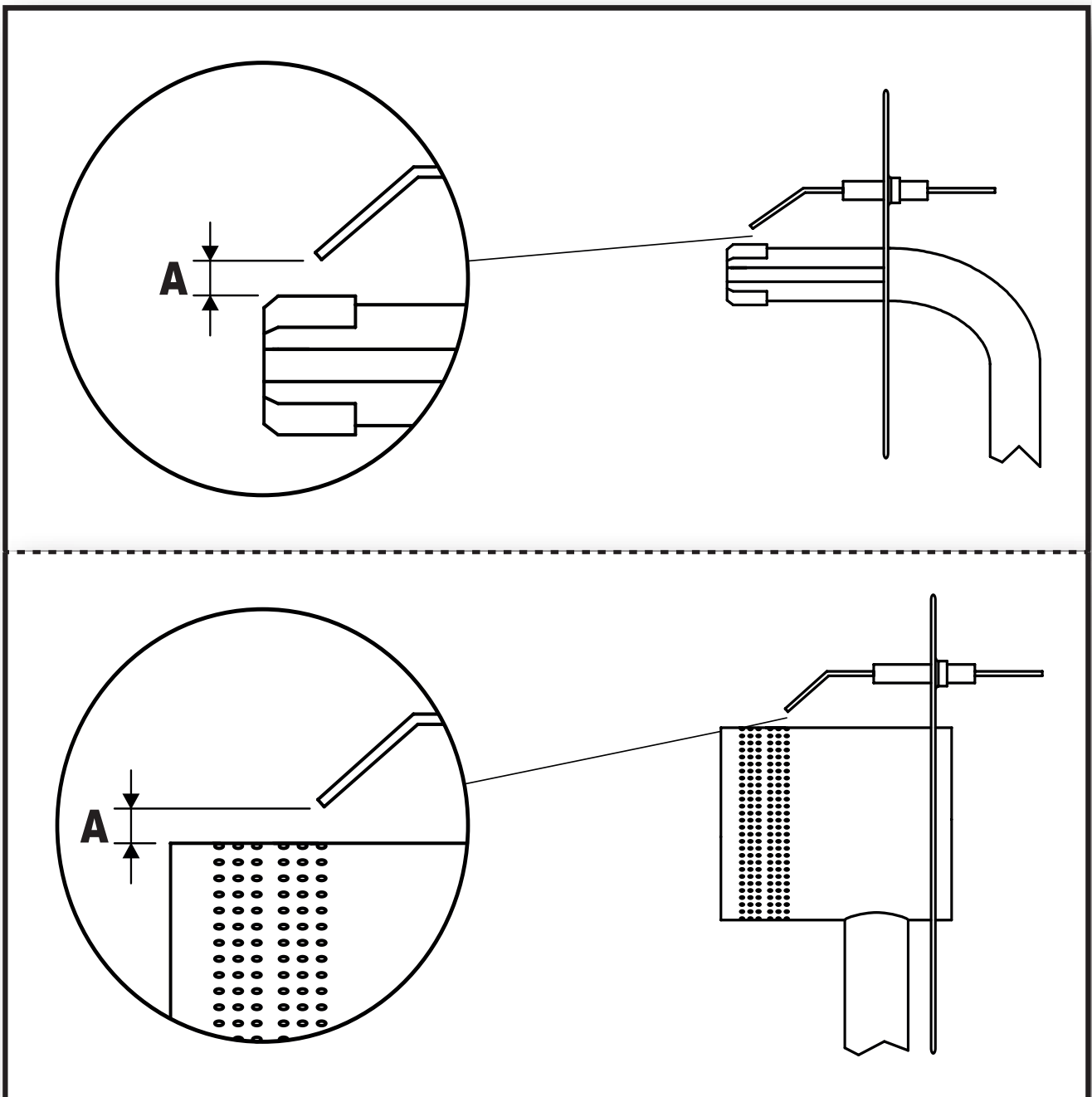
-请严格根据当地法规处理废弃的产品和包装，并确保不和生活垃圾混装。正确的处理方式可以避免对环境和人体健康产生的潜在威胁。







ELECTRODES REGULATION - REGOLAZIONE ELETTRODI - REGULIE-  
 RUNG DER ELEKTRODEN - **REGULACIÓN DE LOS ELECTRODOS** - REGU-  
 LATION DES ELECTRODES - AFSTELLING ELEKTRODEN - REGULAÇÃO  
 DE ELÉTODOS - REGULERING AF ELEKTRODER - **ELEKTRODIEN SÄÄTÖ**  
 - REGULERING AV ELEKTRODER - ELEKTRODREGLERING - REGULACJA  
 ELEKTROD - **РЕГУЛЯЦІЯ ЕЛЕКТРОДОВ** - NASTAVENÍ ELEKTROD - AZ  
**ELEKTÓRÓDÁK BEÁLLÍTÁSA** - NASTAVITEV ELEKTROD - ELEKTROT AYARI  
 - REGULIRANJE ELEKTRODA - **ELEKTRODU REGULIAVIMAS** - ELEK-  
**TRODU REGULĚŠANA** - ELEKTROODIDE REGULEERIMINE - REGLAREA  
 ELECTROZILOR - **NASTAVENIE ELEKTÓRÓD** - **РЕГУЛІРАНЕ ЕЛЕКТРОДИ**  
 - **РЕГУЛЮВАННЯ ЕЛЕКТРОДОВ** - KONTROLA ELEKTRODE - **ΡΥΘΜΙΣΗ**  
**ΗΛΕΚΤΡΟΔΙΩΝ** - 电极规定 - **ЭЛЕКТРОДТАРДЫ РЕТТЕУ**



A = 4 ÷ 6 mm-мм

# CE CONFORMITY CERTIFICATE



CE CONFORMITY CERTIFICATE - DICHIARAZIONE DI CONFORMITÀ CE - EG-KONFORMITÄT-SERKLÄRUNG - DECLARACIÓN DE CONFORMIDAD CE - DECLARATION DE CONFORMITE CE - EG-CONFORMITEITVERKLARING - DECLARAÇÃO DE CONFORMIDADE CE - EU-OVERENSSTEMMELSESERKLÆRING - EY-VAATIMUSTENMUKAISUUSVAKUUTUS - CE-SAMSVAR-SERKLÆRING - EG-FÖRSÄKRAN OM ÖVERENSSTÄMMELSE - DEKLARACJA ZGODNOŚCI WE - ДЕКЛАРАЦИЯ О СООТВЕТСТВИИ CE - PROHLÁŠENÍ O SHODĚ CE - EK MEGFELELŐSÉGI NYILATKOZAT - IZJAVA O SKLADNOSTI IN OZNAKA CE - CE UYGUNLUK BEYANI - IZJAVA CE O SUKLADNOSTI - ES ATITIKTIES DEKLARACIJA - EK ATBILSTĪBAS - DEKLARĀCIJA - EÜ VA-STAVUSDEKLARATSIOON - DECLARAȚIE DE CONFORMITATE CE - PREHLÁSENIE O ZHODE CE - ДЕКЛАРАЦИЯ ЗА СЪВМЕСТИМОСТ CE - ДЕКЛАРАЦИЯ ВІДПОВІДНОСТІ CE - IZJAVA CE O PRIKLADNOSTI ΔΗΛΩΣΗ ΣΥΜΜΟΡΦΩΣΗΣ CE - CE 符合性声明

**DANTHERM S.p.A. Via Gardesana 11, -37010- Pastrengo (VR), ITALY**

Product: - Prodotto: - Produkt: - Producto: - Produit: - Product: - Produto: - Produkt: - Tuote: - Produkt: - Produkt: - Produkt: - Изделие: - Výrobek: - Termék: - Izdelek: - Ürün: - Proizvod: - Gaminys: - Ieīce: - Toode: - Produsul: - Výrobek: - Продукт: - Виріб: - Proizvod: - Προϊόν: - 产品:

BLP 11 - BLP 16 - BLP 17M - BLP 26 - BLP 27 - BLP 27M  
BLP 33M - BLP 53M - BLP 73M  
BLP 26DV - BLP 33DV - BLP 53DV - BLP 73DV - BLP 103M DV  
BLP 33E - BLP 53E - BLP 73E - BLP 103E  
BLP 27ET - BLP 33ET - BLP 53ET - BLP 73ET - BLP 103ET

We declare that it is compliant with: - Si dichiara che è conforme a: - Es wird als konform mit den folgenden Normen erklärt: - Se declara que está en conformidad con: - Nous déclarons sa conformité à: - Hierbij wordt verklaard dat het product conform is met: - Declara-se que está em conformidade com: - Vi erklærer at produktet er i overensstemmelse med: - Vakuutetaan olevan yhdenmukainen: - Man erklærer at apparatet er i overensstemmelse med: - Härmed intygas det att produkten är förenlig med följande: - Oświadczam, że jest zgodny z: - Заявляем о соответствии требованиям: - Prohlašuje se, že je v souladu s: - Kijelentjük, hogy a termék megfelel az alábbiaknak: - Izpolnjuje zahteve: - Aşağıdaki standartlara uygun olduğunu beyan ederiz: - Izjavljuje se da je u skladu s: - Pareiškiame, kad atitinka: - Tiek deklarēts, ka atbilst: - Käesolevaga deklareeritakse, et toode vastab: - Declarăm că este conform următoarelor: - Prehlasuje sa, že je v súlade s: - Декларира се че отговаря на: - Відповідає вимогам: - Izjavljuje se da je u skladu s: - Δηλώνουμε ότι είναι σύμφωνο με: - 兹证明符合:

2014/30/EU, 2014/35/EU, 2016/426/EU

EN 62233:2008, EN 61000-3-2:2014, EN 61000-3-3:2013, EN 55014-1:2006/A2:2011, EN 55014-2:2015, EN 60335-1:2012/A11:2014, EN 60335-2-102:2016, EN 1596:1998/A1:2004

The notified body performed the type testing and issued the certificate: - L'organismo autorizzato ha svolto il test relativo al tipo e ha emesso il certificato: - Die notifizierte stelle führte die baumusterprüfung aus und stellte die bescheinigung aus: - El organismo notificado que ha realizado la prueba de tipo y ha expedido el certificado: - L'organisme notifié a effectué le test de type et a délivré le certificat: - De aangemelde instantie heeft het type testen uitgevoerd en het volgende certificaat afgegeven: - A entidade notificada realizou o teste de tipo e emitiu o certificado: - Det bemyndigede organ har udført typeafprøvningen og udstedt certifikatet: - Jednostka notyfikowana wykonała badanie typu i wydała certyfikat:

DVGW CERT GmbH (CE-0085), Josef-Wirmer-Strasse 1-3, DE-53123 Bonn  
2016/426/EU (21/04/2018<CE-0085BM0132<07/12/2027)

Pastrengo, 2019

Stefano Verani (Member of the Board)

---

► en - LIMITED WARRANTY AND AFTER-SALES SERVICE

KEEP THIS LIMITED WARRANTY

During the period of twelve (12) months starting from the date of purchase of this product, the manufacturer guarantees that the appliance, all of its parts, do not have flaws due to manufacturing or the materials used, as long as the appliance has been used following the instructions and maintenance indicated in the manual. This warranty is only valid for the original purchaser of the appliance, which must present the purchase invoice. This warranty only includes the cost of the parts necessary to return the appliance to its normal functioning state. Therefore, costs relative to transport or other material associated with the parts covered by this warranty are excluded. The faults produced by incorrect use, manipulation, negligence, insufficient maintenance, alterations, modifications, normal wear of the product are not covered by this warranty, as also the use of non-compliant fuel, repairs using non-original spare parts or repairs performed by staff not working for the dealer or the authorised technical after-sales service. Routine maintenance is the owner's responsibility. The manufacturer does not guarantee, nor is directly or indirectly responsible, for any other warranty including that of a commercial nature or for appropriation for a particular use. In no case is the manufacturer liable for direct, indirect, accidental or consequent damage, deriving from use of the appliance. The manufacturer reserves the right to modify this warranty at any time and without forewarning. This is the only valid warranty. The manufacturer does not assume any expressed or implicit warranty.

► it - GARANZIA LIMITATA E SERVIZIO ASSISTENZA SERVICE

CONSERVARE LA PRESENTE GARANZIA LIMITATA

Durante il periodo di dodici (12) mesi a partire dalla data di acquisto di questo prodotto, il costruttore garantisce che l'apparecchio, come ogni sua parte, non presenta difetti dovuti alla fabbricazione o ai materiali utilizzati, sempre che lo stesso sia stato usato seguendo le istruzioni di funzionamento e mantenimento indicate nel manuale. La presente garanzia si estende unicamente al compratore originale dell'apparecchio, il quale dovrà presentare la fattura di acquisto. La presente garanzia include solo il costo delle parti necessarie per restituire l'apparecchio nel suo stato normale di funzionamento. Restano pertanto esclusi i costi relativi ai trasporti o altro materiale associato con le parti coperte dalla presente garanzia. Sono escluse dalla copertura di garanzia, le avarie prodotte da errato uso, manipolazioni, negligenza, manutenzione insufficiente, alterazioni, modificazioni, normale usura del prodotto, così anche per l'uso di combustibile non conforme, riparazioni con ricambi inadeguati o per riparazioni fatte da personale differente dal distributore o dal servizio tecnico autorizzato. La normale manutenzione è a carico del proprietario. Il costruttore non garantisce, né si fa carico diretto o indiretto, di nessuna altra garanzia inclusa quella di carattere commerciale o per l'appropriazione per una particolare utilizzazione. In nessun caso il costruttore sarà responsabile per i danni diretti, indiretti, accidentali o conseguenti, derivanti dall'uso dell'apparecchio. Il costruttore si riserva il diritto di modificare in qualsiasi momento e senza preavviso la presente garanzia. L'unica garanzia valida è la presente scrittura, il costruttore non assume nessuna garanzia espressa o implicita.

► de - BESCHRÄNKTE GARANTIE UND KUNDENDIENST

VORLIEGENDE BESCHRÄNKTE GARANTIE GUT AUFBEWAHREN

Während der Garantie von zwölf (12) Monaten, ab Kaufdatum dieses Produkts, garantiert die Herstellerfirma, dass das Gerät und seine Bauteile keine Defekte verursacht durch Herstellung oder aufgrund verwendeter Materialien aufweist. Voraussetzung hierfür ist die Befolgung der im Handbuch angegebenen Betriebs- und Wartungsanleitungen. Die vorliegende Garantie gilt ausschließlich für die ursprünglichen KäuferInnen des Geräts. Hierfür muss die Rechnung vorgelegt werden. Eingeschlossen von der vorliegenden Garantie sind nur die Kosten für die Bauteile, welche notwendig sind, damit das Gerät seinen ordnungsgemäßen Betrieb wieder aufnehmen kann. Ausgeschlossen von der Garantie sind Transportkosten oder Kosten für Materialien, welche an die von der Garantie abgedeckten Bauteile gebunden sind. Ausgeschlossen von der Garantie sind Schäden die durch falschen Gebrauch, nicht autorisierte Eingriffe und Veränderungen, Vernachlässigung sowie unzureichende Wartung, Modifizierungen und die normale Abnutzung des Produkts verursacht werden. Gleichmaßen ausgeschlossen sind Schäden, die durch die Verwendung von nicht geeigneten Brennstoffen sowie Reparaturen mit Verwendung ungeeigneter Ersatzteile oder durchgeführt von Personen, die nicht zur Herstellungsfirma oder autorisierten Kundendiensten gehören. Die normale Wartung liegt in der Verantwortung der BesitzerInnen. Die Herstellerfirma gibt keine weitere direkte oder indirekte Garantie bezüglich des Vertriebs oder des Einsatzes für eine spezielle Verwendung des Geräts. In keinem Fall übernimmt die Herstellerfirma die Verantwortung für direkte oder indirekte Schäden, Unfälle oder Folgen, die durch den Gebrauch des Gerätes entstehen können. Die Herstellerfirma behält sich das Recht vor zu jeder Zeit und ohne Vorankündigung die vorliegende Garantie ändern zu können. Das vorliegende Schriftstück ist die einzig gültige Garantie und die Herstellerfirma übernimmt keine weitere ausdrückliche oder implizierte Garantie.

► es - GARANTÍA LIMITADA Y SERVICIO DE ASISTENCIA SERVICE

CONSERVE LA PRESENTE GARANTÍA LIMITADA

Durante el período de doce (12) meses a partir de la fecha de compra de este producto, el fabricante garantiza que el equipo, y todas sus partes, no presentan defectos debidos a la fabricación o a los materiales empleados, siempre que el mismo se use en el respeto de las instrucciones de funcionamiento y mantenimiento indicadas en el manual. Esta garantía se extiende solo al comprador original del equipo, el cual debe presentar la factura de compra. La presente garantía incluye solo el coste de las partes necesarias para que el equipo vuelva a funcionar normalmente. Por lo tanto se excluyen los costes relativos a los transportes o a otro material asociado con las partes cubiertas por la garantía. La garantía no cubre las averías producidas por el uso incorrecto, las manipulaciones, la negligencia, el mantenimiento insuficiente, las alteraciones, las modificaciones, el desgaste normal del producto, el uso de un combustible no conforme, las reparaciones con recambios inadecuados o las reparaciones hechas por personal diferente del distribuidor o del servicio técnico autorizado. El mantenimiento ordinario es a cargo del propietario. El fabricante no

---

► en - DISPOSAL OF THE PRODUCT

-This product has been designed and manufactured with top-quality materials and components, which can be re-cycled and re-used. When a crossed-wheely bin symbol is attached to the product, it means that the product is protected by the, 2012/19/UE European Directive.

-Please obtain information regarding the local differentiated collection system for electrical and electronic products.

-Respect local Standards in force and do not dispose of old products as normal domestic waste. Correct disposal of the product helps to prevent possible negative consequences for health, the environment and mankind.

► it - SMALTIMENTO DEL PRODOTTO

-Questo prodotto è stato progettato e fabbricato con materiali e componenti di alta qualità, che possono essere riciclati e riutilizzati.

-Quando ad un prodotto è attaccato il simbolo del bidone con le ruote segnato da una croce, significa che il prodotto è tutelato dalla Direttiva Europea 2012/19/UE.

-Si prega di informarsi in merito al sistema locale di raccolta differenziata per i prodotti elettrici ed elettronici.

-Rispettare le norme locali in vigore e non smaltire i prodotti vecchi nei normali rifiuti domestici. Il corretto smaltimento del prodotto aiuta ad evitare possibili conseguenze negative per la salute dell'ambiente e dell'uomo.

► de - ENTSORGUNG DES PRODUKTS

-Dieses Produkt wurde unter Verwendung von Qualitätsmaterialien und -bauteilen entwickelt und hergestellt, die recycelt und wieder verwendet werden können.

-Ist ein Produkt gekennzeichnet durch die Mülltonne mit Rädern und einem Kreuz, wird hier angezeigt, dass dieses Produkt durch die europäische Richtlinie 2012/19/UE überwacht ist.

-Es wird gebeten, sich über die vor Ort bestehende Mülltrennung bezüglich elektrischer und elektronischer Produkte zu informieren.

-Die vor Ort geltenden Vorschriften zur Müllentsorgung müssen eingehalten werden und alte Produkte dürfen nicht zusammen mit dem Hausmüll entsorgt werden. Die ordnungsgemäße Entsorgung des Produkts hilft mögliche negative Folgen für Gesundheit und Umwelt zu vermeiden.

► es - ELIMINACIÓN DEL PRODUCTO

-Este producto ha sido diseñado y fabricado con materiales y componentes de alta calidad que se pueden reciclar y reutilizar.

-Cuando en el producto se encuentra el símbolo del contenedor con las ruedas tachado con una cruz, significa que el producto está tutelado por la Directiva europea 2012/19/UE.

-Se ruega informarse acerca del sistema local de recogida selectiva para los productos eléctricos y electrónicos.

-Respete las normas locales vigentes y no elimine los productos viejos junto con los residuos domésticos normales. La eliminación correcta del producto ayuda a evitar posibles consecuencias negativas para la salud del ambiente y del hombre.

► fr - SE DÉBARRASSER DE VOTRE PRODUIT USAGÉ

-Ce produit a été conçu et fabriqué avec des matériaux et des composants de haute qualité, qui peuvent être recyclés et utilisés de nouveau.

-Lorsque le symbole d'une poubelle à roue barrée est appliqué à un produit, cela signifie que le produit est couvert par la Directive Européenne 2012/19/UE.

-Veuillez vous informer du système local de séparation des déchets électriques et électroniques.

-Veuillez agir selon les règles locale set ne pas jeter vos produits usagés avec les déchets domestiques usuels. Jeter correctement votre produit usagé aidera à prévenir les conséquences négatives potentielles contre l'environnement et la santé humaine.

► nl - VERWIJDERING VAN HET PRODUCT

-Dit product werd ontworpen en gemaakt met hoogwaardige materialen en componenten, die gerecycleerd en herbruikt kunnen worden.

-Wanneer op een product het symbool van de afvalbak op wielen met een kruis erdoor is aangebracht, betekent dit dat het product valt onder de Europese Richtlijn 2012/19/UE.

-Gelieve inlichtingen in te winnen betreffende het plaatselijke systeem voor gedifferentieerde inzameling van elektrische en elektronische toestellen.

-Respecteer de plaatselijke normen die van kracht zijn, en verwijder de oude toestellen niet als gewoon huishoudelijk afval. Een correcte verwijdering van het product helpt om mogelijke negatieve gevolgen voor de gezondheid van mens en milieu te voorkomen.

► pt - ELIMINAÇÃO DO PRODUTO

-Este produto foi projetado e fabricado com materiais e componentes de alta qualidade que podem ser reciclados e reutilizados.

-Quando for afixado em um produto o símbolo do bidão com rodas marcado com uma cruz, significa que o produto é protegido pela Diretiva Europeia 2012/19/UE.

-Solicitamos informar-se sobre o sistema local de recolha diferenciada para os produtos elétricos e eletrônicos.

-Respeitar as normas locais em vigor e não eliminar os produtos antigos como normais detritos domésticos. A correta eliminação do produto ajuda a evitar possíveis consequências negativas para a saúde do ambiente e do homem.



## Recycling



**ENVIRONMENTAL PROTECTION:** Please recycle any unwanted materials as opposed to disposing them as general waste. It is recommended the original is retained and used to store the product when not in use for prolonged periods of time. If this is not applicable ensure the materials are sorted and recycled in accordance with local regulations.



**SPECIFICATION CHANGE:** It is our policy to continually improve products to ensure these meet the rigours of the industry we serve. Therefore, as such we reserve the right to alter specifications, data, components & parts with-out prior notice.

**WARRANTY:** Please refer to the manufactures terms & conditions.

**IMPORTANT:** No liability will be accepted for the incorrect use of this product.

### KEEP THIS BOOKLET FOR FUTURE REFERENCE

📞 Nottingham: 0115 946 1988 • London: 0208 830 3333    ✉ Nottingham: [sales@hscgroupuk.co.uk](mailto:sales@hscgroupuk.co.uk) • London: [sean@hscgroupuk.co.uk](mailto:sean@hscgroupuk.co.uk)    🌐 [www.hscgroupuk.co.uk](http://www.hscgroupuk.co.uk)

The Hire Supply Company Terms & Conditions Apply At All Time E&OE