



PARTS DRAWING



**Master Dual Voltage
181,000 Btu Propane Heater**

**Product Code:
E165DV**



Serial Number Range:

From: 03034000216

To:

Year Of Manufacture: 2013

***Please note, when ordering online via our website if the part number is not recognised, please Email spares@hscgroupuk.co.uk or Telephone 0115 946 1988**

KEEP THIS BOOKLET FOR FUTURE REFERENCE

Nottingham: 0115 946 1988 • London: 0208 830 3333 ✉ Nottingham: sales@hscgroupuk.co.uk • London: sean@hscgroupuk.co.uk 🌐 www.hscgroupuk.co.uk

The Hire Supply Company Terms & Conditions Apply At All Time E&OE

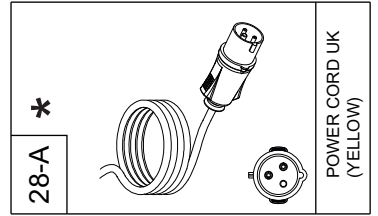
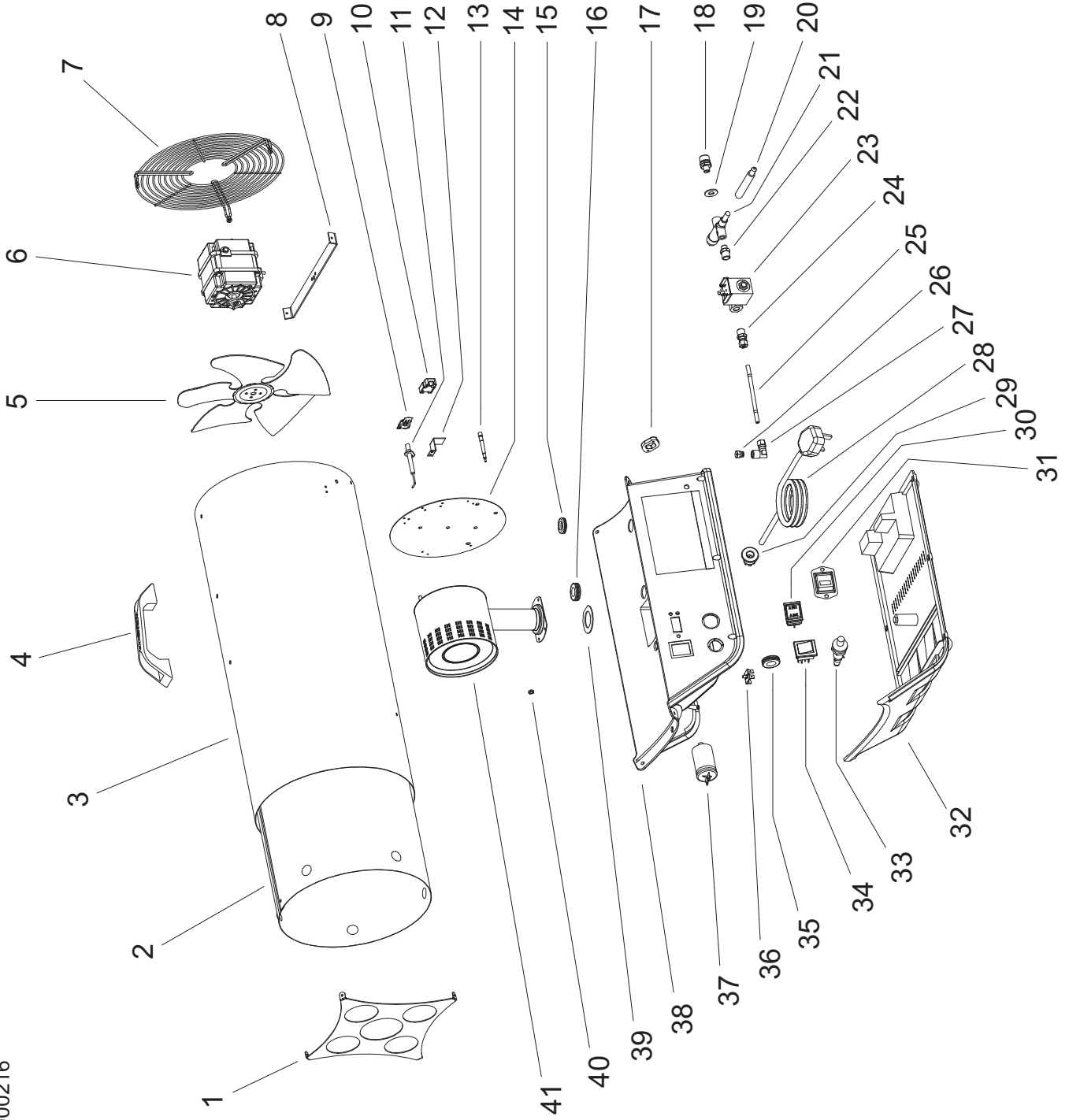
MODEL BLP 53DV

UNIT 1

ILLUSTRATED PARTS BREAKDOWN

From Serial Number : 03034000216

Rev.H - Nov. 2013



MODEL BLP 53DV

UNIT 2

PARTS LIST

Pos.	Code N°	Description	Rev.H - Nov. 2013
1	4100.814	OUTLET GRID	
2	4162.731	COMBUSTION CHAMBER	
3	4162.728	COVER	
4	4162.934	PLASTIC HANDLE	
5	4160.691	FAN	
6	4106.230	ELECTRIC MOTOR	
7	4160.739	INLET GRID	
8	4162.733	ELECTRIC MOTOR BRACKET	
9	4162.910	SAFETY THERMOSTAT	
10	4162.909	SAFETY THERMOSTAT COVER	
11	4160.731	IGNITION ELECTRICAL FOLDER	
12	4106.047	THERMOSTAT BRACKET	
13	4106.042	INTERRUPTED THERMOCOUPLE	
14	4162.869	PLATE BURNER	
15	4160.646	GROMMET	
16	4160.646	GROMMET	
17	4161.854	BLOCK FOR NOZZLE	
18	4160.048	GAS INLET NOZZLE	
19	4160.283	WASHER	
20	4162.479	VALVE ROD	
21	4160.688	SAFETY VALVE	
22	4160.299	REDUCTION NIPPLES	
23	4161.268	ELECTROVALVE	
24	4160.962	NIPPLES REDUCER	
25	4162.724	COPPER TUBE	
26	4160.527	GAS NOZZLE	
27	4160.967	ELBOW	
28	4160.540	POWER CORD UK	
28-A	4106.236	POWER CORD UK YELLOW	
29	4160.635	KEEPER WIRE	
30	4100.143	SWITCH DUAL VOLTAGE	
31	4106.233	COVER WITCH DUAL VOLTAGE	
32	4162.853	LOWER PLASTIC BASE	
33	4162.597	PIEZO IGNITOR	
34	4160.637	SWITCH	
35	4160.646	GROMMET	
36	4160.639	RIVET POP	
37	4106.277	CAPACITOR 2,5 µF	
38	4160.114	HIGHER PLASTIC BASE	
39	4160.769	NECK PLATE	
40	4106.043	THERMOCOUPLE NUT	
41	4160.467	GAS BURNER	

RECOMMENDED SPARE PARTS

Pos.	Code NR	Description	Rev.H - Nov. 2013
6	4106.230	ELECTRIC MOTOR	
9	4162.910	SAFETY THERMOSTAT	
10	4162.909	SAFETY THERMOSTAT COVER	
11	4160.731	IGNITION ELECTRICAL FOLDER	
13	4106.042	INTERRUPTED THERMOCOUPLE	
21	4160.688	SAFETY VALVE	
23	4161.268	ELECTROVALVE	
33	4162.597	PIEZO IGNITOR	



Recycling



ENVIRONMENTAL PROTECTION: Please recycle any unwanted materials as opposed to disposing them as general waste. It is recommended the original is retained and used to store the product when not in use for prolonged periods of time. If this is not applicable ensure the materials are sorted and recycled in accordance with local regulations.



SPECIFICATION CHANGE: It is our policy to continually improve products to ensure these meet the rigours of the industry we serve. Therefore, as such we reserve the right to alter specifications, data, components & parts with-out prior notice.

WARRANTY: Please refer to the manufactures terms & conditions.

IMPORTANT: No liability will be accepted for the incorrect use of this product.

KEEP THIS BOOKLET FOR FUTURE REFERENCE

📞 Nottingham: 0115 946 1988 • London: 0208 830 3333 ✉ Nottingham: sales@hscgroupuk.co.uk • London: sean@hscgroupuk.co.uk 🌐 www.hscgroupuk.co.uk

The Hire Supply Company Terms & Conditions Apply At All Time E&OE