



PARTS DRAWING

MCE MASTER
CLIMATE SOLUTIONS

**Master Dual Voltage
45.9ltr De Humidifier**

**Product Code:
DHP55DV**

Serial Number Range:

From:

To:

Year Of Manufacture: 2021



***Please note, when ordering online via our website if the part number is not recognised, please Email spares@hscgroupuk.co.uk or Telephone 0115 946 1988**

KEEP THIS BOOKLET FOR FUTURE REFERENCE

Nottingham: 0115 946 1988 • London: 0208 830 3333 ✉ Nottingham: sales@hscgroupuk.co.uk • London: sean@hscgroupuk.co.uk 🌐 www.hscgroupuk.co.uk

The Hire Supply Company Terms & Conditions Apply At All Time E&OE

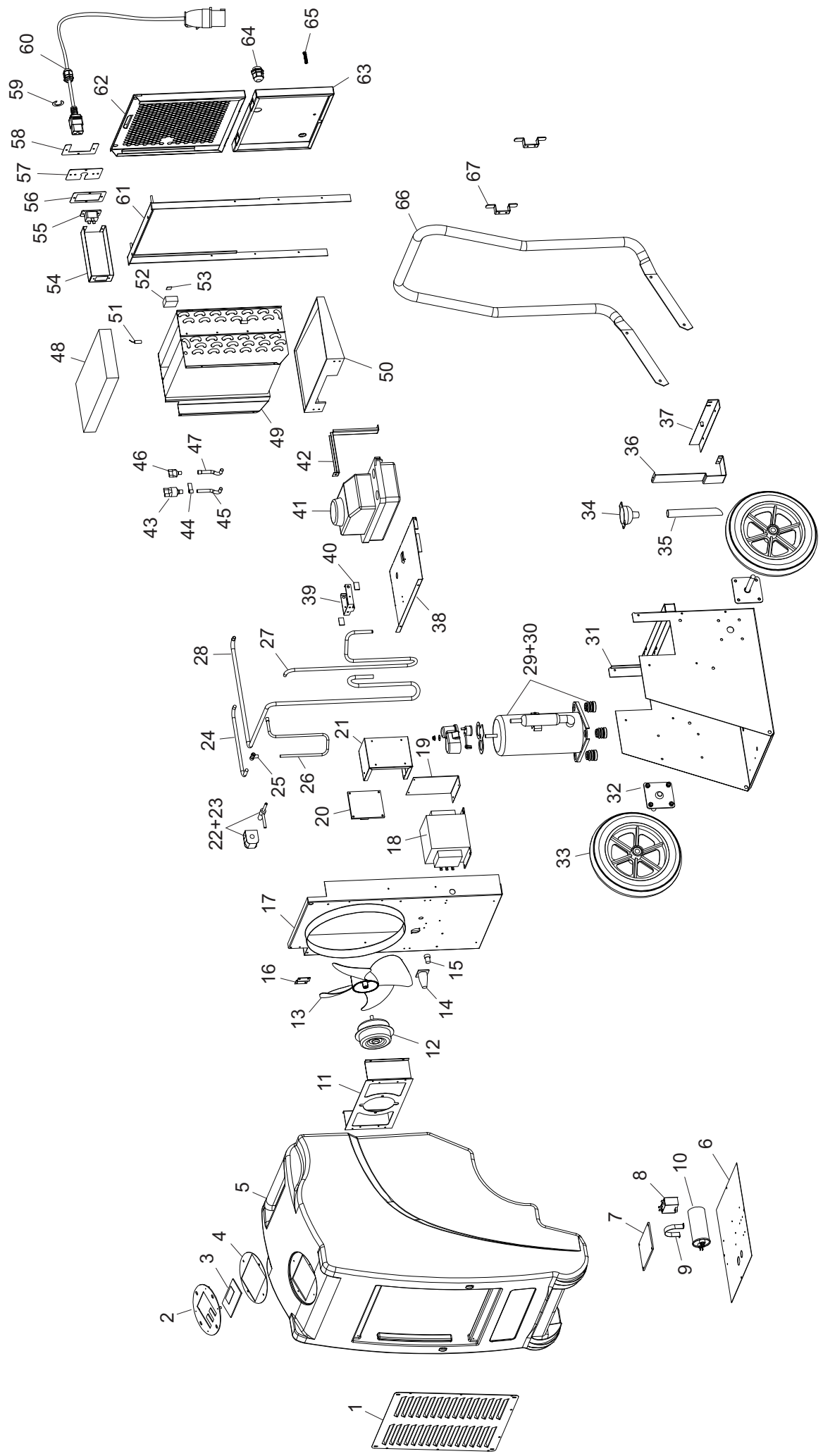
MODEL DHP 55 DV

UNIT 1

ILLUSTRATED PARTS BREAKDOWN

From Serial Number:

Rev -- Feb. 2021



MODEL DHP 55 DV

UNIT 2

PARTS LIST

N°	CODE	DESCRIPTION
1	4141.670	AIR OUTLET GRILL
2	4141.671	DISPLAY BOARD MOUNTING PLATE
3	4141.672	DISPLAY BOARD
4	4141.673	DISPLAY BOARD WATERPROOF RUBBER PAD
5	4141.674	HOUSE
6	4141.675	ELECTRICAL MOUNTING PLATE
7	4141.676	PCB BOARD
8	4141.677	FAN CAPACITOR
9	4141.678	COMPRESSOR CAPACITOR CLIPER
10	4141.679	COMPRESSOR CAPACITOR
11	4141.680	FAN MOTOR BRACKETS
12	4141.681	FAN MOTOR
13	4141.682	FAN BLADE
14	4141.683	THREE CORE PLUG
15	4141.684	FIVE CORE SOCKET
16	4141.685	SOLENOID VALVE MOUNTING PLATE
17	4141.686	MIDDLE SUPPORT BRACKET
18	4141.687	TRANSFORMMER
19	4141.688	TRANSFORMMER MOUNTING PLATE
20	4141.689	VOLTAGE SELECTION BOARD
21	4141.690	VOLTAGE SELECTION BOARD MOUNTING PLATE
22	4141.691	SOLENOID VALVE
23	4141.692	SOLENOID VALVE BODY
24	4141.693	FITTING-HIGH PRESSURE PIPE 1
25	4141.694	FITTING-TEE 1
26	4141.695	FITTING-CONNECTING PIPE
27	4141.696	FITTING-HIGH PRESSURE PIPE 2
28	4141.697	FITTING-LOW PRESSURE PIPE
29	4141.698	COMPRESSOR
30	4141.699	COMPRESSOR BRACKET
31	4141.700	CHASIS
32	4141.701	RUBBER WHEEL
33	4141.702	AXLE CLIPPER
34	4141.703	DRAIN
35	4141.704	SHORT WATER PIPE
36	4141.705	BRACKET
37	4141.706	BRACKET MOUNTING PLATE
38	4141.707	WASHER-DRAIN TANK
39	4141.708	WATER FULL SWITCH MOUNTING PLATE
40	4141.709	WATER FULL SWITCH
41	4141.710	DRAIN PUMP
42	4141.711	DRAIN PUMP CLIPER
43	4141.712	FILTER
44	4141.713	LABEL - FIRE WARNING
45	4141.714	FITTING - OUTLET PIPE
46	4141.715	FITTING - TEE II
47	4141.716	FITTING - INLET PIPE
48	4141.717	GASKET-EVAPORATE
49	4141.718	HEAT EXCHANGE ASSY.

MODEL DHP 55 DV

UNIT 2

PARTS LIST

N°	CODE	DESCRIPTION
50	4141.719	DRAIN WATER TRAY
51	4141.720	DEFROST SENSOR
52	4141.721	SENSOR BOX
53	4141.722	HUMIDITY SENSOR
54	4141.723	POWER CORD MOUNTING BOARD
55	4141.724	SOCKET C20
56	4141.725	WASHER I -POWER CORD GATE
57	4141.726	POWER CORD BOARD 1
58	4141.727	POWER CORD BOARD 2
59	4141.728	WASHER II -POWER CORD GATE
60	4141.729	UK TYPE PLUG POWER CORD
61	4141.730	BRACKET
62	4141.731	AIR INLET GRILL
63	4141.732	WATER TANK DOOR
64	4141.733	WATERPROOF CONNECTOR PG16
65	4141.734	CROSS SCREW-BLACK M5X30
66	4141.735	HANDLE
67	4141.736	CABLE BRACKET



Recycling



ENVIRONMENTAL PROTECTION: Please recycle any unwanted materials as opposed to disposing them as general waste. It is recommended the original is retained and used to store the product when not in use for prolonged periods of time. If this is not applicable ensure the materials are sorted and recycled in accordance with local regulations.



SPECIFICATION CHANGE: It is our policy to continually improve products to ensure these meet the rigours of the industry we serve. Therefore, as such we reserve the right to alter specifications, data, components & parts with-out prior notice.

WARRANTY: Please refer to the manufactures terms & conditions.

IMPORTANT: No liability will be accepted for the incorrect use of this product.

KEEP THIS BOOKLET FOR FUTURE REFERENCE

📞 Nottingham: 0115 946 1988 • London: 0208 830 3333 ✉ Nottingham: sales@hscgroupuk.co.uk • London: sean@hscgroupuk.co.uk 🌐 www.hscgroupuk.co.uk

The Hire Supply Company Terms & Conditions Apply At All Time E&OE