



USER MANUAL



Dual Voltage 41ltr Professional Dehumidifier

**Product Code:
DH44DV**

Serial Number Range:

From:

To:

Year Of Manufacture: 2013



***Please note, when ordering online via our website if the part number is not recognised, please Email spares@hscgroupuk.co.uk or Telephone 0115 946 1988**

KEEP THIS BOOKLET FOR FUTURE REFERENCE

Nottingham: 0115 946 1988 • London: 0208 830 3333 ✉ Nottingham: sales@hscgroupuk.co.uk • London: sean@hscgroupuk.co.uk 🌐 www.hscgroupuk.co.uk

The Hire Supply Company Terms & Conditions Apply At All Time E&OE

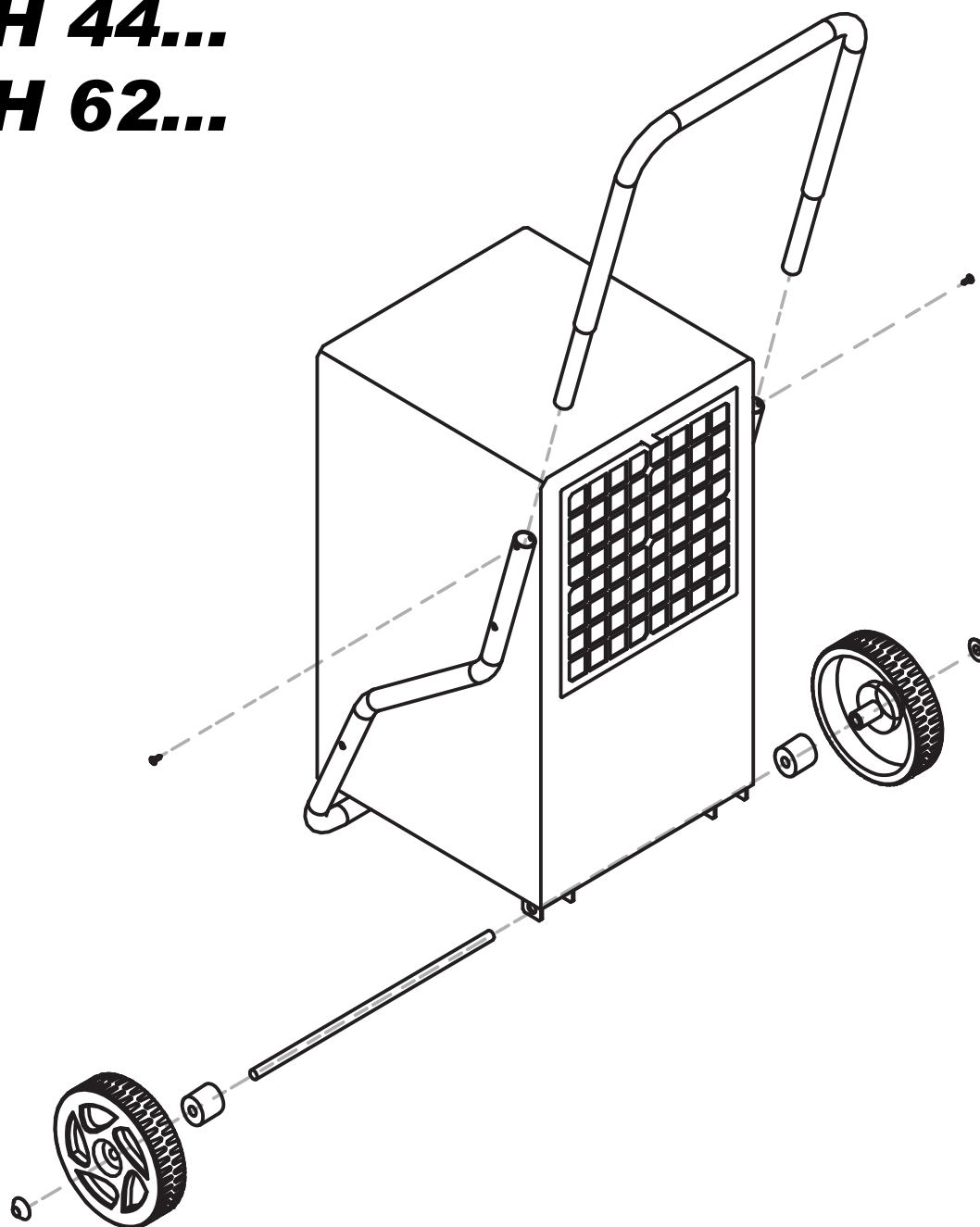




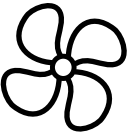


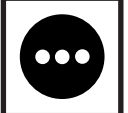



USER AND MAINTENANCE BOOK	en
LIBRETTO USO E MANUTENZIONE	it
BEDIENUNGS- UND WARTUNGSANLEITUNG	de
MANUAL DE INSTRUCCIONES PARA EL USO Y MANTENIMIENTO	es
MANUEL D'UTILISATION ET DE MAINTENANCE	fr
HANDLEIDING VOOR GEBRUIK EN ONDERHOUD	nl
MANUAL DE USO E MANUTENÇÃO	pt
VEJLEDNING OM BRUG OG VEDLIGEHODELSE	da
KÄYTTÖ- JA HUOLTO-OHJE	fi
HEFTE FOR BRUK OG VEDLIKEHOLD	no
ANVÄNDAR- OCH UNDERHÅLLSHANDBOK	sv
INSTRUKCJA OBSŁUGI I KONSERWACJI	pl
РУКОВОДСТВО ПО ЭКСПЛУАТАЦИИ И ТЕХНИЧЕСКОМУ ОБСЛУЖИВАНИЮ	ru
PŘÍRUČKA PRO POUŽITÍ A ÚDRŽBU	cs
HASZNÁLATI ÉS KARBANTARTÁSI KÉZIKÖNYV	hu
PRIROČNIK Z NAVODILI ZA UPORABO IN VZDRŽEVANJE	sl
KNJIŽICA O UPORABI I ODRŽAVANJU	hr
NAUDOJIMO IR PRIEŽIŪROS KNYGELĖ	lt
LIETOŠANAS UN TEHNISKĀS APKOPES GRĀMATIŅA	lv
KASUTUS- JA HOOLDUSJUHEND	et
LIVRET DE UTILIZARE ŞI ÎNTREȚINERE	ro
PŘÍRUČKA PRE POUŽITIE A ÚDRŽBU	sk
НАРЪЧНИК ЗА ИЗПОЛЗВАНЕ И ПОДДРЪЖКА	bg
使用和维护手册	zh



DH 26 - DH 44
DH 62 - DH 92
DH 44DV - DH 62DV

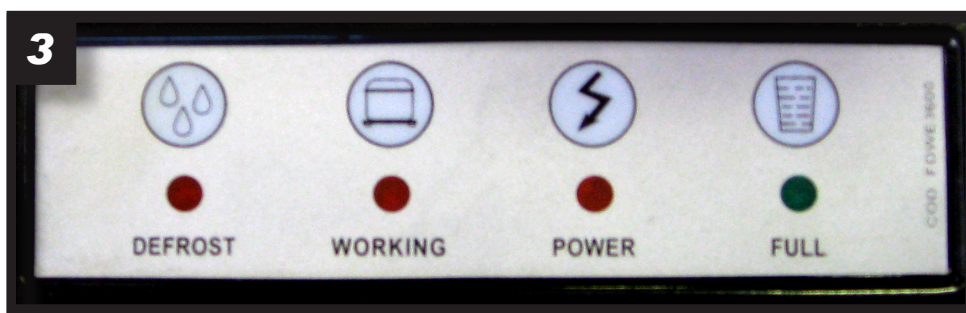
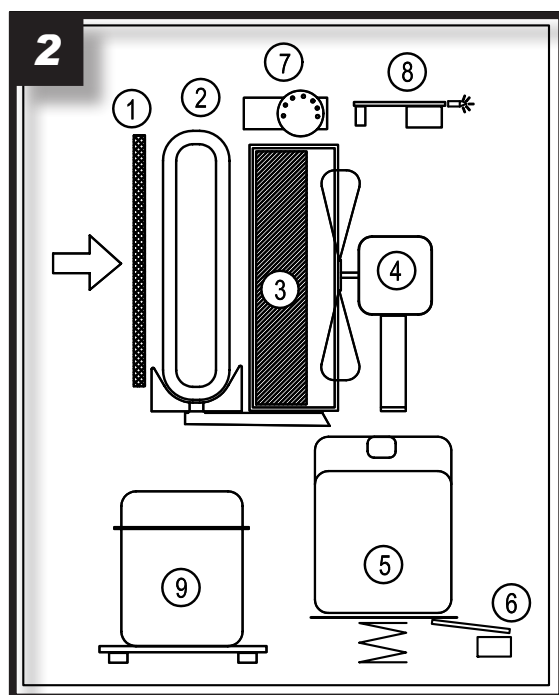
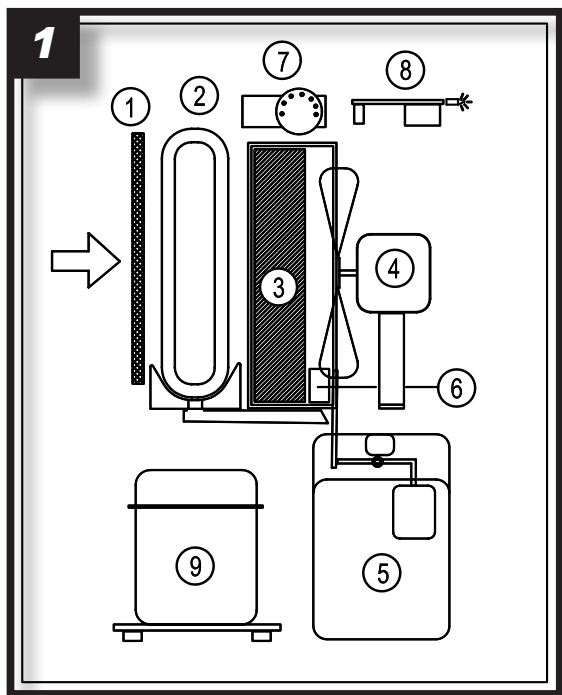
DH 26
DH 44...
DH 62...



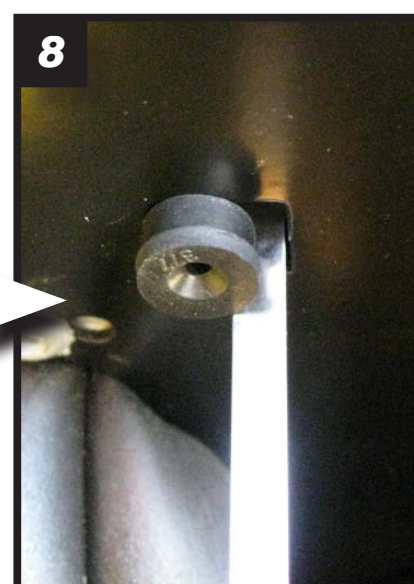
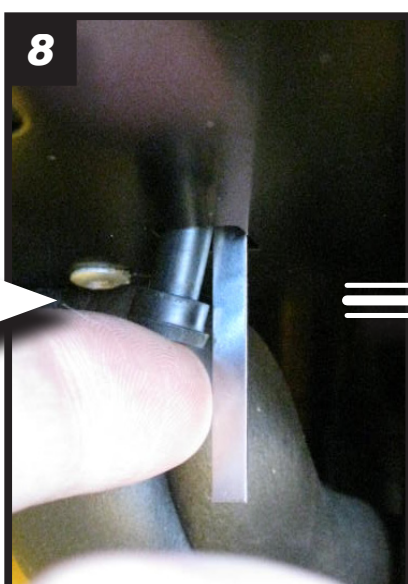
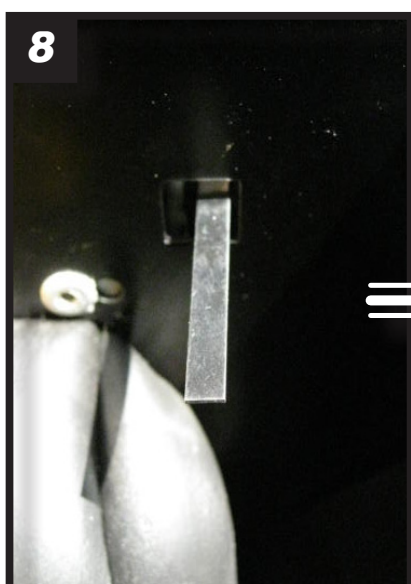
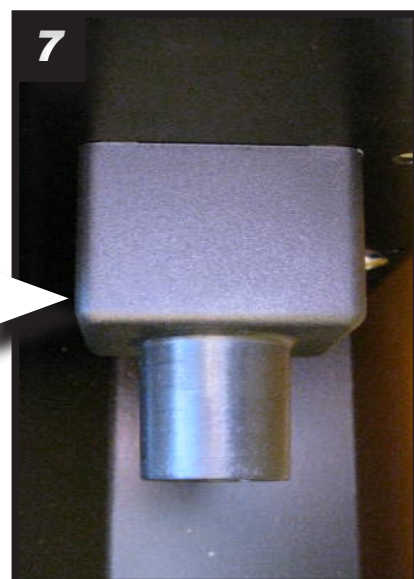
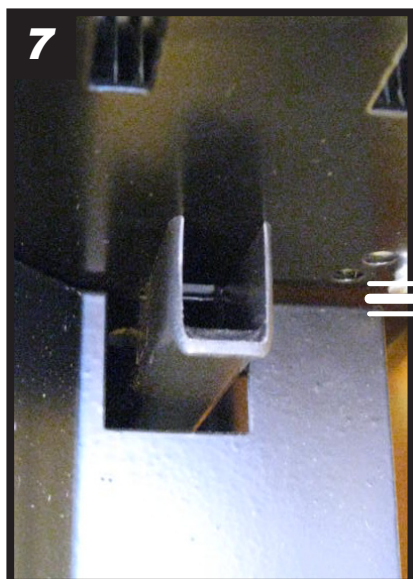
MODEL	DH 44DV	DH 62DV
	35 ÷ 99 %	35 ÷ 99 %
	3 ÷ 35 °C	3 ÷ 35 °C
	480 m³/h-m³/ч	480 m³/h-m³/ч
	41 л-л / 24 h-ч	52 л-л / 24 h-ч
	R410A / 620 г-г GWP-Потенциал глобального потепления 1975	R410A / 650 г-г GWP-Потенциал глобального потепления 1975
	~220-240 V-B 50 Hz-Гц 780 W-Вт / 3,9 A	~220-240 V-B 50 Hz-Гц 990 W-Вт / 4,5 A
	~110-120 V-B 50 Hz-Гц 800 W-Вт / 8,0 A	~110-120 V-B 50 Hz-Гц 1.020 W-Вт / 9,2 A
dB(A)	53 dB-дБ	53 dB-дБ
	11 л-л	11 л-л
	49 kg-кг	52 kg-кг
	PS 41,5 - 32,8 Бар-Бар TS 63 - 53 °C LRA 16 A (220-240 V-B) LRA 32 A (110-120 V-B)	PS 41,5 - 32,8 Бар-Бар TS 63 - 53 °C LRA 20,3 A (220-240 V-B) LRA 40,6 A (110-120 V-B)

* 30°C - UR 80% - при температуре 30°C и относительной влажности воздуха 80%

FIGURES - FIGURE - ABBILDUNGEN - FIGURAS - FIGURES - FIGUREN - FIGURAS - FIGURER - KUVAT - FIGURER - FIGURER - ILUSTRACJE - ИЛЛЮСТРАЦИИ - OBRÁZKY - ÁBRÁK - SLIKE - SLIKE - ILIUSTRACIJOS - ATTĒLI - JOONISED - IMAGINI - OBRÁZKY - CXEMI - 图示

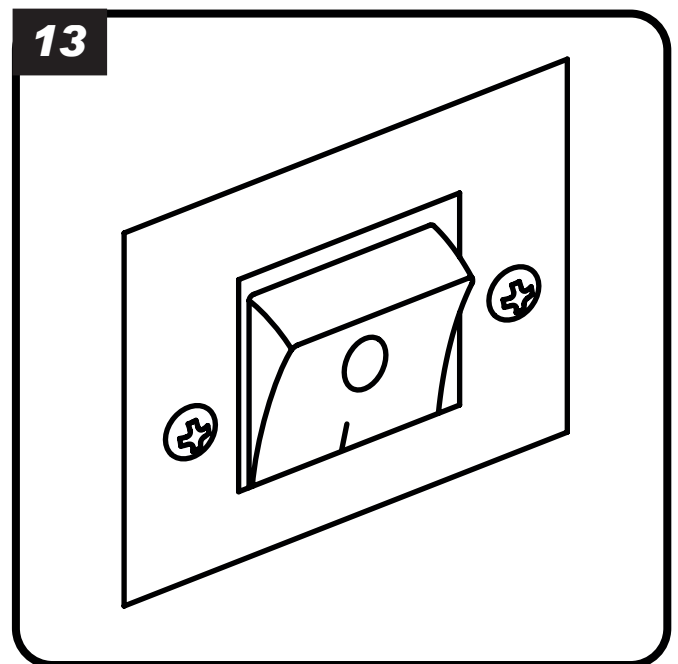
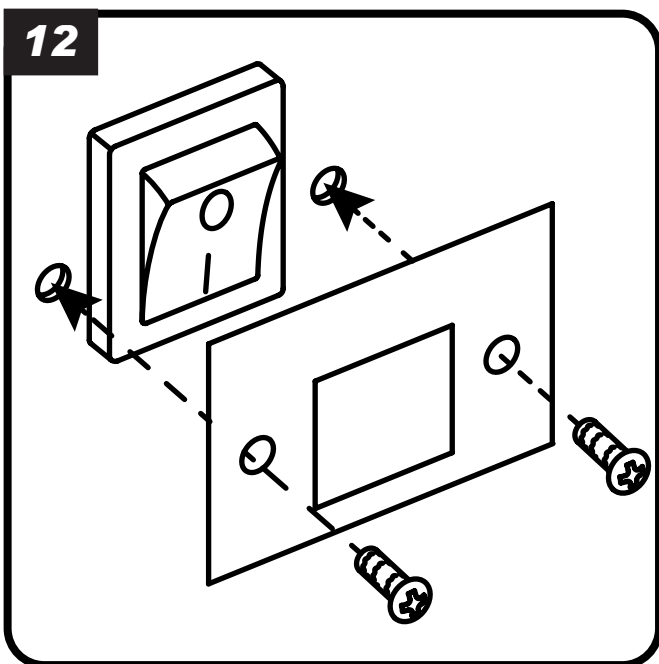
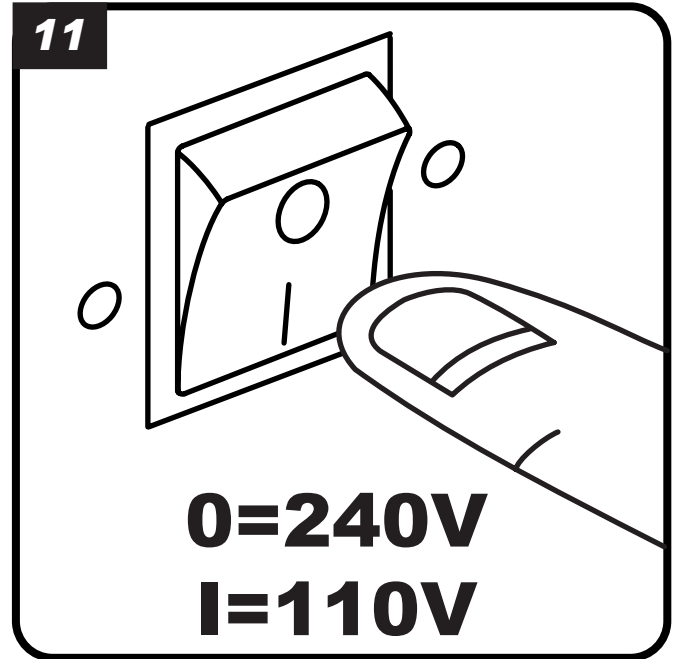
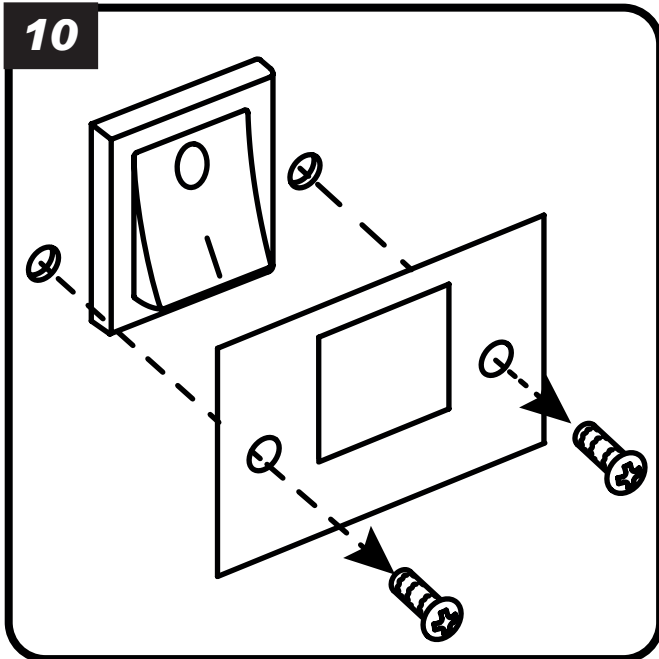


**FIGURES - FIGURE - ABBILDUNGEN - FIGURAS - FIGURES - FIGUREN - FIGURAS -
FIGURER - KUVAT - FIGURER - FIGURER - ILUSTRACJE - ИЛЛЮСТРАЦИИ - OBRÁZKY
- ÁBRÁK - SLIKE - SLIKE - ILIUSTRACIJOS - ATTĒLI - JOONISED - IMAGINI - OBRÁZKY
- CXEMI - 图示**



ONLY Vers. **DH ..DV**

**FIGURES - FIGURE - ABBILDUNGEN - FIGURAS - FIGURES - FIGUREN - FIGURAS -
FIGURER - KUVAT - FIGURER - FIGURER - ILUSTRACJE - ИЛЛЮСТРАЦИИ - OBRÁZKY
- ÁBRÁK - SLIKE - SLIKE - ILIUSTRACIJOS - ATTĒLI - JOONISED - IMAGINI - OBRÁZKY
- СХЕМИ - 图示**



THE UNIT IS SEALED AND CONTAINS FLUORINATED GREENHOUSE GASES COVERED BY KYOTO PROTOCOL. THE "GWP" IS LISTED IN THE "TECHNICAL SPECIFICATIONS TABLE".

SAFETY WARNINGS

The dehumidifier must always be connected to an efficiently grounded socket. As with all electrical appliances, failure to observe this safety measure is a potential source of danger that the constructor does not respond for in any way.

The appliance must only be dismantled by a qualified technician using the appropriate tools.

The appliance must always be in an upright position when it is plugged into an electric socket and must not be handled with sharp movements. Any water leaking from the tank or tray could wet the electric parts with the obvious risk of danger, therefore the dehumidifier must always be unplugged before it is moved and the tank emptied before it is lifted.

Should any water be spilt due to sharp movements, the dehumidifier must remain turned off and unplugged in an upright position for at least eight hours before it can be turned on again.

This dehumidifier takes the air in from the rear and expels it through the front grid, and therefore the rear panel which holds the air filter must be at a distance of at least 15 centimetres from the wall.

The appliance must not be turned on in confined spaces where the expelled air from the front grid is unable to circulate freely, however the side panels can be placed next to a wall without affecting the appliance efficiency.

This dehumidifier has been constructed to the strictest safety standards. No sharp items (such as screwdrivers, knitting needles or similar objects) must be introduced into the front grid or the opening in the rear panel when the filter is removed as that is extremely dangerous for human safety and can damage the appliance.

Do not wash the appliance with water; just use a damp cloth after unplugging it from the socket.

Do not cover the front grid with clothes or other items as this could damage the appliance and be a source of danger.

Clean the filter periodically; on average once a month but if the dehumidifier is used in very dusty surroundings the filter should be cleaned more frequently. Refer to the specific filter cleaning chapter. When the filter is dirty the expelled air is hotter than normal and can damage the appliance and reduces its efficiency.

DEHUMIDIFIER DESCRIPTION

All portable dehumidifiers use cooling cycles with compressor. The appliances are described below.

FUNCTIONS

This dehumidifier is an appliance working with a cooling cycle based on the physical principle whereby the air is exposed to a cold surface and wets it, giving off humidity as drops of condensation, or ice if the room temperature is very low.

In practice, a cooling machine keeps a coil cold that the air is passed through and therefore the air cools down and has the humidity removed. The air then passes through a hot heat exchanger and is heated up to return to the room dehumidified and slightly warmer than at the beginning.

Refer to the diagram (Fig. 1-2):

The air is taken in from the rear of the appliance and passes through the filter (1), the cold aluminium coil (evaporator) (2), the hot exchanger (condenser) (3), the fan (4) and finally the dehumidified air is expelled into the room through the front grid.

The condensed water is collected in the tank (5). A microswitch (6) stops the appliance when the water in the tank reaches a set level. The moisture gauge (7) enables the dehumidifier to work when the room humidity is higher than the required level. An electronic board (8) controls the defrosting and prevents any dangerous starting of the compressor (9) too soon and delays its ignition.

These appliances have hot gas defrosting devices installed, with a solenoid valve for the hot gas bypass, a special electronic board (with double relay) and a defrosting thermostat.

This defrosting system is exclusive to our appliances: in practice, a system with a thermostat and electronic control that uses the hot gas bypass only for the time that is strictly needed, which lengthens the life of the appliance and reduces the time of the hot gas phase.

CONTROL PANEL

The control panel is in the front of the appliance and contains four lighted signals (Fig. 3):

- **DEFROST** (red led): Comes on when the compressor is on pause or the first ignition is delayed or during the defrosting phase.
- **WORKING** (red led): Comes on when the humidity gauge requests the appliance functions.
- **POWER** (red led): Comes on when the appliance is powered.
- **FULL** (green led): Comes when the condenser tank is full; when this light is on the appliance stops/does not work.

HUMIDITY GAUGE

•DH 26

Positioned in the front of the appliance. It has a graduated scale from 1 to 5. When the humidity gauge is set on the minimum level (1), it means it will work until 80% of relative humidity is obtained in the room. When it is set on the maximum level (5), it means the appliance will work until 20% of relative humidity is obtained in the room. When it is set on "CONT", the appliance works continuously no matter what the relative humidity level is. When it is set on "OFF" the appliance will never start (single pole switch) (Fig. 4).

•DH 44-62-92

Positioned on the front of the machine. It has a graduated scale from a minimum of 80% to a maximum of 20% of relative humidity to be obtained in the room (Fig. 5).

HOUR COUNTER

•DH 26

The hour counter is positioned on the rear of the machine and indicates the number of hours the appliance has functioned (Fig. 6).

•DH 44-62-92

The hour counter is positioned on the front of the machine and indicates the number of hours the appliance has functioned (Fig. 6).

FIRST IGNITION

IMPORTANT: In models with dual voltage (...DV), check the position of the dual voltage switch (220-240V / 110-120V). If the voltage set does not correspond to the mains supplied voltage, it is necessary to adjust it. Unscrew the two securing screws of the cover (Fig. 10), adjust/press the switch to the correct voltage (Fig. 11) and reassemble the cover (Fig. 12-13).

Before starting the appliance it must have been in an upright position (the normal working position) for at least eight hours. Failure to observe this instruction could cause irreparable damage to the compressor.

After eight hours the dehumidifier can be plugged into a 220-240 V single-phase grounded socket. The "POWER" red led must switched on to shows that is correctly powered. If the "WORKING" led is off, turn the humidity gauge knob in a clockwise direction until it comes on. The "DEFROST" led will also come on and after about 5 minutes, the dehumidifier starts. If the green "FULL" led is on, the dehumidifiers doesn't start. The tank must be emptied.

IF THE DEHUMIDIFIER DOES NOT START OR DOES NOT DEHUMIDIFY

First of all check the red "POWER" led is on. this shows that it is correctly powered. Otherwise check if the plug is correctly connected to the energy supply and if power reach the appliance. If after these controls the light remains off, take the appliance to the retailer where it was purchased.

Check the green "FULL" led is off and check the tank is empty. Check the red "WORKING" led is on, this shows the humidity gauge required to be in function. When the appliance starts after a pause because the set humidity level has been reached or because the tank has been emptied, the "DEFROST" led will come on, besides the two "POWER" and "WORKING" leds. They will remain on for about 3 minutes when only the fan will be working and the compressor will be off.

This cycle is repeated about every 45 minutes to defrost the coil (evaporator). If the "DEFROST" led remains on for more than ten minutes take the dehumidifier to the retailer where it was purchased.

If the appliance seems to be working correctly with the "WORKING" and "POWER" leds on, but no water or very few is produced, check that the relative humidity in the room is not lower than 40-45%, otherwise take the dehumidifier to the retailer where it was purchased.

CONNECTION TO A DISCHARGE PIPE

•DH 26

This dehumidifier can be connected directly to a fixed discharge pipe, in which case the tank is removed to enable connecting the pipe to the coupling.

For the connection, insert the supplied coupling in the right side of the tank compartment (Fig. 7). Use the supplied rubber stopper to block the microswitch lever in the left side of the tank compartment (Fig. 8).

•DH 44-62-92

This dehumidifier can be connected directly to a fixed discharge pipe, in which case the tank is removed to enable connecting the pipe to the threaded male coupling (Fig. 9) (for the model DH 92 remove the plastic connection pre-installed).

For the connection use a pipe with a 3/4" female coupling.

PERIODIC MAINTENANCE

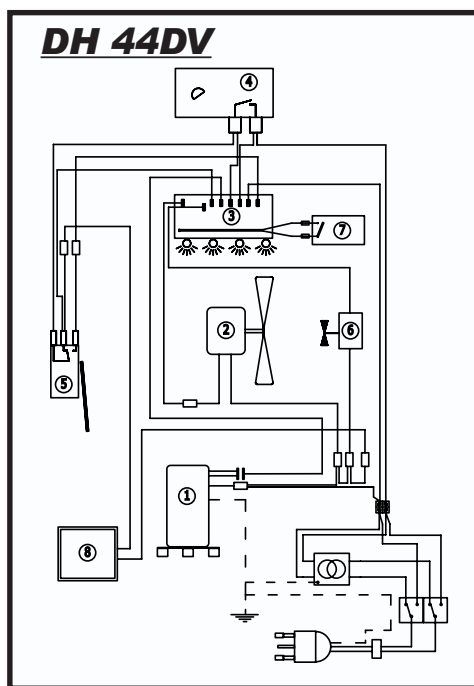
The only maintenance that is required is cleaning the filter, the frequency depending on how dusty the room is and how many hours the appliance actually works each day.

In normal use it is sufficient to clean the filter once a month, but if the room is very dusty it should be cleaned more frequently.

The filter is cleaned by washing it under a jet of water in the sink, flowing in the opposite direction to the air flow: the perforated front panel must face downwards so that the water pushes the filter against the panel.

After a few years, the hot heat exchanger (condenser) could need cleaning using compressed air and only a qualified technician must do this task. This cleaning improves the appliance efficiency and guarantees its long life.

WIRING DIAGRAMS - SCHEMI ELETTRICI - SCHALTPLÄNE - ESQUEMAS ELÉCTRICOS - SCHEMAS ELECTRIQUES - ELEKTRISCHE SCHEMA'S - ESQUEMAS ELÉTRICOS - ELEKTRISKE SKEMAER - SÄHKÖKAAVIOT - KOPLINGSSKJEMA - ELEKTRISKA KOPPLINGS-SCHEMAN - SCHEMATY ELEKTRYCZNE - ЭЛЕКТРИЧЕСКИЕ СХЕМЫ - ELEKTRICKÁ SCHÉMATA - VILLANYBEKÖTÉSI RAJZOK - ELEKTRIČNE SHEME - ELEKTRIČNE SHEME - ELEKTROS SCHEMOS - ELEKTRISKÅS SHĒMAS - ELEKTRISKEEMID - SCHEME ELECTRICE - ELEKTRICKÉ SCHÉMY - ЭЛЕКТРИЧЕСКИ СХЕМИ - 电路图



1	Compressor - Compressore - Kompressor - Compresor - Compresseur - Compressor - Compressor - Kompressor - Kompressori - Kompressor - Kompressor - Kompresor - Компрессор - Kompresor - Kompressor - Kompresor - Kompresor - Kompresorius - Kompresors - Kompressor - Compresor - Kompresor - Компрессор - 压缩机;
2	Motor - Motore - Motor - Motor - Moteur - Motor - Motor - Motor - Moottori - Motor - Motor - Silnik - Двигатель - Motor - Motor - Motor - Motor - Variklis - Dzinējs - Mootor - Motor - Motor - Мотор - 电机;
3	Electronic Board - Scheda Elettronica - Elektronische Steuerung - Ficha Electrónica - Carte Électronique - Elektronisch Schema - Placa eletrónica - Elektronisk Kredskort - Elektroninen Kortti - Elektronisk Kort - Kretskort - Tablice Elektroniczna - Электронная Таблица - Elektronická Deska - Vezérlő Tábla - Elektronska Kartica - Elektronski Panel - Elektronisk Panel - Elektronisk Plokkstél - Elektroniská Plate - Elektronpaneel - Tablou Electronic - Elektronický Panel - Электронно Табло - 电路板;
4	Humidity Gauge - Umidostato - Feuchtigkeitsmesser - Regulador De Humedad - Mesureur Régulateur D'humidité - Vochtighedsregelaar - Humidóstato - Hygrostat - Kosteussäadin - Fuktighetsregulator - Fuktvakt - Miernik Wilgotności - Измеритель Влажности - Měřič Vlhkosti - Páratartalommérő - Merilec Vlažnosti - Mjerač Vlažine - Drėgmės Matuoklis - Mitruma Mēritājs - Hügrostaat - Măsurător De Umiditate - Meradlo Vlhkosti - Индикатор На Влажността - 湿度计;
5	Microswitch - Microinterruptore - Mikroschalter - Microinterruptor - Micro-Interrupteur - Microschakelaar - Microinterruptor - Mikroafbryder - Mikroklytkin - Mikrobryter - Mikrobrytare - Mikrowyłącznik - Микровыключатель - Mikrovyurinač - Mikrokapcsoló - Mikrostickalo - Mikro-Prekidač - Mikro Išjungėjas - Mikroslēdzis - Mikrovājājūlīti - Microînterupător - Mikrovyurinač - Микро-Исключатель - 微型开关;
6	Solenoid Valve - Electrovalvola - Elektroventil - Electroválvula - Électrovanne - Magneetklep - Eletroválvula - Elektroventil - Magneettiventtiili - Magnetventil - Magnetventil - Zawór Elektromagnetyczny - Электромагнитный Клапан - Elektromagnetický Ventil - Elektromágneses Szelep - Avtomatski Ventil - Zawór Elektromagnetyczny Elektro-Ventil - Elektromagnetinis Vožtuvas - Elektromagnētiskais Vārsts - Elektromagnetklapp - Suparā Electromagneticā - Elektromagnetický Ventil - Электромагнетичен Клапан - 电磁阀;
7	Thermostat - Termosato - Thermostat - Termostato - Thermostat - Thermostaat - Termóstato - Termostat - Termostaatti - Termostat - Termostat - Termostat - Термостат - Termostat - Termostat - Termosztát - Termosat - Termostat - Termostatas - Termostats - Termostaat - Termostat - Termostat - Термостат - 温控器;
8	Hour Counter - Contaore - Stundenzähler - Contador Horario - Compteur D'heures - Ureñteller - Contador De Horas - Timetæller - Tuntilaskuri - Timeteller - Timräknare - Miernik Czasu - Измеритель Времени - Měřič Času - Idómérő - Števec Ur - Mjerač Vrijemena - Laikmatis - Laika Mēritājs - Ajaloendur - Măsurător De Timp - Časové Počítadlo - Часовник - 计时器;
9	Relay - Relè - Relais - Relé - Relais - Relais - Relé - Relæ - Rele - Relé - Relä - Przekaznik - Реле - Relé - Relé - Rele - Predajnik - Relé - Relejs - Ajaloendur - Releu - Relé - Предавател - 继电器;



CE CONFORMITY CERTIFICATE - DICHIARAZIONE DI CONFORMITÀ CE - EG-KONFORMITÄT-SERKLÄRUNG - DECLARACIÓN DE CONFORMIDAD CE - DECLARATION DE CONFORMITE CE - EG-CONFORMITEITVERKLARING - DECLARAÇÃO DE CONFORMIDADE CE - EU-OVERENSSTEMMELSESERKLÆRING - EY-VAATIMUSTENMUKAISUUSVAKUUTUS - CE-SAMSVAR-SERKLÆRING - EG-FÖRSÄKRAN OM ÖVERENSSTÄMMELSE - DEKLARACJA ZGODNOŚCI WE - ДЕКЛАРАЦИЯ О СООТВЕТСТВИИ CE - PROHLÁŠENÍ O SHODĚ CE - EK MEGFELELŐSÉGI NYILATKOZAT - IZJAVA O SKLADNOSTI IN OZNAKA CE - CE UYGUNLUK BEYANI - IZJAVA CE O SUKLADNOSTI - ES ATITIKTIES DEKLARACIJA - EK ATBILSTĪBAS - DEKLARĀCIJA - EŪ VA-STAVUSDEKLARĀCIJA - DECLARAȚIE DE CONFORMITATE CE - PREHLÁSENIE O ZHODE CE - ДЕКЛАРАЦИЯ ЗА СЪВМЕСТИМОСТ CE - ДЕКЛАРАЦИЯ ВІДПОВІДНОСТІ CE - IZJAVA CE O PRIKLADNOSTI ΔΗΛΩΣΗ ΣΥΜΜΟΡΦΩΣΗΣ CE - CE 符合性声明

MCS ITALY S.p.A. Via Tione, 12 - 37010 - Pastrengo (VR) ITALY

Product: - Prodotto: - Produkt: - Producto: - Produit: - Product: - Produto: - Produkt: - Tuote: - Produkt: - Produkt: - Produkt: - Изделие: - Výrobek: - Termék: - Izdelek: - Ürün: - Proizvod: - Gaminys: - Ieīce: - Toode: - Produsul: - Výrobok: - Продукт: - Виріб: - Proizvod: - Προϊόν: - 产品:

DH 26 - DH 44 - DH 62 - DH 92 - DH 44DV - DH 62DV

We declare that it is compliant with: - Si dichiara che è conforme a: - Es wird als konform mit den folgenden Normen erklärt: - Se declara que está en conformidad con: - Nous déclarons sa conformité à: - Hierbij wordt verklaard dat het product conform is met: - Declara-se que está em conformidade com: - Vi erklærer at produktet er i overensstemmelse med: - Vakuutetaan olevan yhdenmukainen: - Man erklærer at apparatet er i overensstemmelse med: - Härmed intygas det att produkten är förenlig med följande: - Oświadczam, że jest zgodny z: - Заявляем о соответствии требованиям: - Prohlašuje se, že je v souladu s: - Kijelentjük, hogy a termék megfelel az alábbiaknak: - Izpolnjuje zahteve: - Aşağıdaki standartlara uygun olduğunu beyan ederiz: - Izjavljuje se da je u skladu s: - Pareiškiame, kad atitinka: - Tiek deklarēts, ka atbilst: - Käesolevaga deklareeritakse, et toode vastab: - Declarăm că este conform următoarelor: - Prehlasuje sa, že je v súlade s: - Декларира се че отговаря на: - Відповідає вимогам: - Izjavljuje se da je u skladu s: - Δηλώνουμε ότι είναι σύμφωνο με: - 兹证明符合:

2006/95/CE, 2004/108/CE, 2006/42/CE, RoSH 2002/95/CE

CEI-EN 60335-2-40, CEI-EN 55014-1, CEI-EN 55014-2

97/23/CE (PED)

Pastrengo, 16/02/2015

Stefano Verani (CEO MCS Group)

► en - DISPOSAL OF THE PRODUCT

-This product has been designed and manufactured with top-quality materials and components, which can be re-cycled and re-used.

-When a crossed-wheely bin symbol is attached to the product, it means that the product is protected by the, 2002/96/EC European Directive.

-Please obtain information regarding the local differentiated collection system for electrical and electronic products.

-Respect local Standards in force and do not dispose of old products as normal domestic waste. Correct disposal of the product helps to prevent possible negative consequences for health, the environment and mankind.

► it - SMALTIMENTO DEL PRODOTTO

-Questo prodotto è stato progettato e fabbricato con materiali e componenti di alta qualità, che possono essere riciclati e riutilizzati.

-Quando ad un prodotto è attaccato il simbolo del bidone con le ruote segnato da una croce, significa che il prodotto è tutelato dalla Direttiva Europea 2002/96/CE.

-Si prega di informarsi in merito al sistema locale di raccolta differenziata per i prodotti elettrici ed elettronici.

-Rispettare le norme locali in vigore e non smaltire i prodotti vecchi nei normali rifiuti domestici. Il corretto smaltimento del prodotto aiuta ad evitare possibili conseguenze negative per la salute dell'ambiente e dell'uomo.

► de - ENTSORGUNG DES PRODUKTS

-Dieses Produkt wurde unter Verwendung von Qualitätsmaterialien und -bauteilen entwickelt und hergestellt, die recycelt und wieder verwendet werden können.

-Ist ein Produkt gekennzeichnet durch die Mülltonne mit Rädern und einem Kreuz, wird hier angezeigt, dass dieses Produkt durch die europäische Direktive 2002/96/EG überwacht ist.

-Es wird gebeten, sich über die vor Ort bestehende Mülltrennung bezüglich elektrischer und elektronischer Produkte zu informieren.

-Die vor Ort geltenden Vorschriften zur Müllentsorgung müssen eingehalten werden und alte Produkte dürfen nicht zusammen mit dem Hausmüll entsorgt werden. Die ordnungsgemäße Entsorgung des Produkts hilft mögliche negative Folgen für Gesundheit und Umwelt zu vermeiden.

► es - ELIMINACIÓN DEL PRODUCTO

-Este producto ha sido diseñado y fabricado con materiales y componentes de alta calidad que se pueden reciclar y reutilizar.

-Cuando en el producto se encuentra el símbolo del contenedor con las ruedas tachado con una cruz, significa que el producto está tutelado por la Directiva europea 2002/96/CE.

-Se ruega informarse acerca del sistema local de recogida selectiva para los productos eléctricos y electrónicos.

-Respete las normas locales vigentes y no elimine los productos viejos junto con los residuos domésticos normales. La eliminación correcta del producto ayuda a evitar posibles consecuencias negativas para la salud del ambiente y del hombre.



Recycling



ENVIRONMENTAL PROTECTION: Please recycle any unwanted materials as opposed to disposing them as general waste. It is recommended the original is retained and used to store the product when not in use for prolonged periods of time. If this is not applicable ensure the materials are sorted and recycled in accordance with local regulations.



SPECIFICATION CHANGE: It is our policy to continually improve products to ensure these meet the rigours of the industry we serve. Therefore, as such we reserve the right to alter specifications, data, components & parts with-out prior notice.

WARRANTY: Please refer to the manufactures terms & conditions.

IMPORTANT: No liability will be accepted for the incorrect use of this product.

KEEP THIS BOOKLET FOR FUTURE REFERENCE

📞 Nottingham: 0115 946 1988 • London: 0208 830 3333 ✉ Nottingham: sales@hscgroupuk.co.uk • London: sean@hscgroupuk.co.uk 🌐 www.hscgroupuk.co.uk

The Hire Supply Company Terms & Conditions Apply At All Time E&OE