



PARTS DRAWING



**Dual Voltage 41ltr
Professional Dehumidifier**

**Product Code:
DH44DV**

Serial Number Range:

From:

To:

Year Of Manufacture: 2020



***Please note, when ordering online via our website if the part number is not recognised, please Email spares@hscgroupuk.co.uk or Telephone 0115 946 1988**

KEEP THIS BOOKLET FOR FUTURE REFERENCE

Nottingham: 0115 946 1988 • London: 0208 830 3333 ✉ Nottingham: sales@hscgroupuk.co.uk • London: sean@hscgroupuk.co.uk 🌐 www.hscgroupuk.co.uk

The Hire Supply Company Terms & Conditions Apply At All Time E&OE

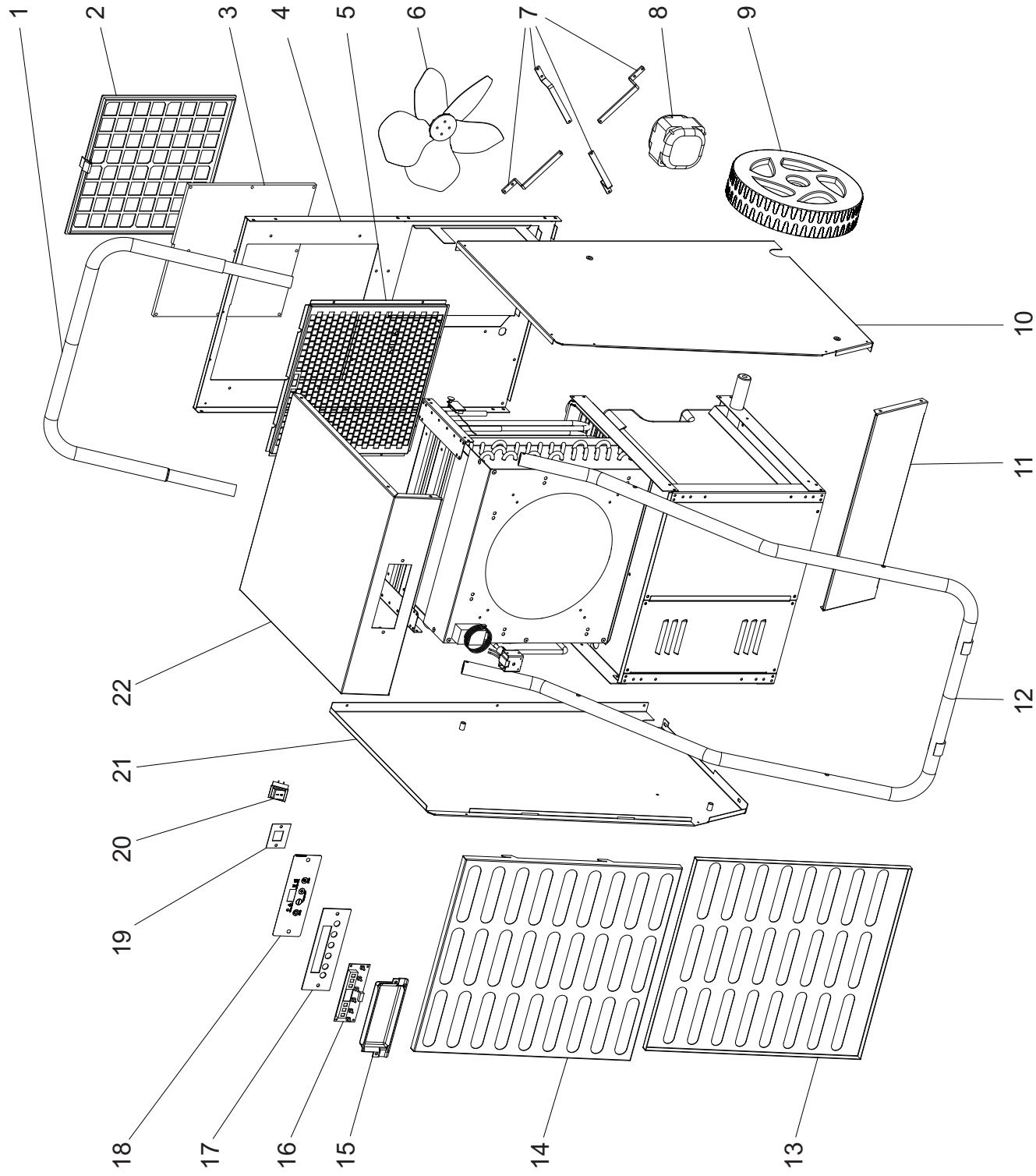
MODEL DH44DV (R1234)

UNIT 1

ILLUSTRATED PARTS BREAKDOWN

From Serial Number :

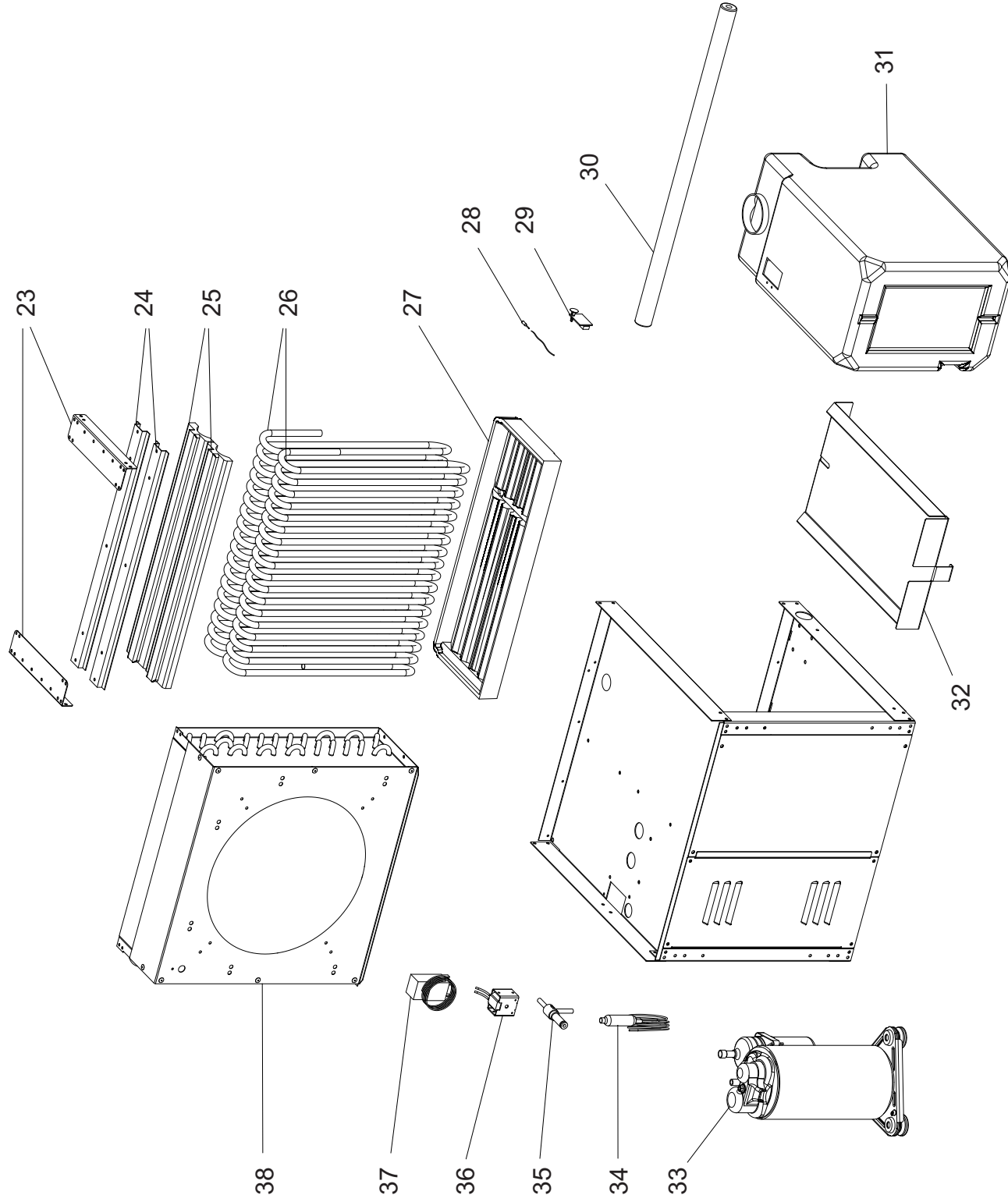
Rev.- - Nov. 2020



MODEL DH44DV (R1234)

UNIT 2

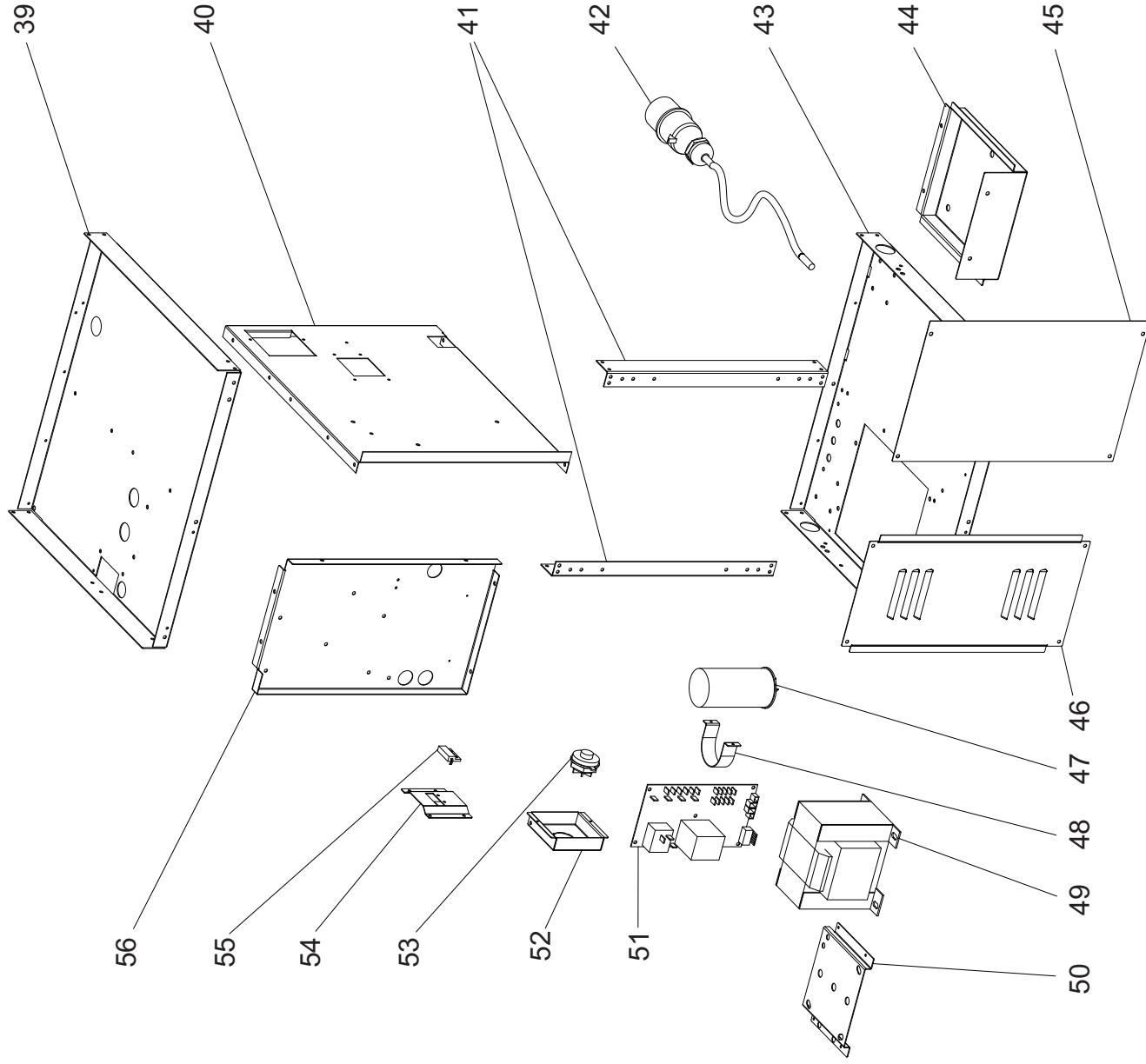
ILLUSTRATED PARTS BREAKDOWN



MODEL DH44DV (R1234)

UNIT 3

ILLUSTRATED PARTS BREAKDOWN



MODEL DH44DV

UNIT 2

PARTS LIST

N°	Part No	DESCRIPTION
1	4140.262	HANDLE
2+3	4515.991	FILTER SEAT
3	4515.991	AIR FILTER
4	4141.608	BACK PANEL
5	4141.596	INSIDE GRILLE
6	4141.590	IMPELLER
7	4141.591	FAN SUPPORT
8	4141.589	MOTORFAN
9	4140.219	WHEEL
10	4141.597	SIDE PANEL RIGHT
11	4141.577	LOWER FRONT PANEL
12	4141.594	HANDLE PIPE
13	4140.299	INSIDE GRILLE
14	4140.295	OUTSIDE GRILLE
15	4141.653	DISPLAY PROTECTION
16	4141.607	DIGIT DISPLAY
17	4141.585	DISPLAY SUPPORT
18	4141.600	DISPLAY LABEL
19	S/R	LOCK SWICTH
20	4140.346	SWICTH
21	4141.598	SIDE PANEL LEFT
22	4141.599	COVER
23+24	S/R	SUPPORT EVAPORATOR
26	4141.601	EVAPORATOR
25+27	4140.202	LOWER CONDENSATE COLLECTING TRAY + TOP TRY
28	4141.654	TEMPERATURE PROBE
29	4141.652	HUMIDITY SENSOR
30	4140.351	AXIL WHEEL
31	4141.603	TANK
32	S/R	TANK SUPPORT
33	4141.604	KIT COMPRESSOR
34	4141.605	REFRIGERANT FILTER WITH CAPILLARY
35	4141.587	SOLENOID VALVE
36	4141.588	COIL
37	4141.592	THERMOSTAT
38	4141.602	CONDENSER
39	S/R	PLANE INTERMEDIATE
40	S/R	VERTICAL PANEL
41	S/R	UPPERCUT
42	4140.487	CABLE
43	S/R	BOTTOM PANEL
44	S/R	COMPRESSOR BOX
45	S/R	TANK VANE PANNEL
46	S/R	ELETTRICAL VANE PANNEL
47	4141.650	RUN CAPACITOR
48	S/R	CONDENSER CAPACITOR BELT
49	4140.483	AUTOTRANSFORMER
50	4141.609	TRANSFORMER SUPPORT
51	4141.606	ELECTRONIC CARD
52	S/R	CONNECTOR SUPPORT
53	4141.651	CONNECTOR 6 PIN
54	S/R	SENSOR TANK SUPPORT
55	4140.430	SENSOR TANK
56	S/R	ELETRICAL VANE



Recycling



ENVIRONMENTAL PROTECTION: Please recycle any unwanted materials as opposed to disposing them as general waste. It is recommended the original is retained and used to store the product when not in use for prolonged periods of time. If this is not applicable ensure the materials are sorted and recycled in accordance with local regulations.



SPECIFICATION CHANGE: It is our policy to continually improve products to ensure these meet the rigours of the industry we serve. Therefore, as such we reserve the right to alter specifications, data, components & parts with-out prior notice.

WARRANTY: Please refer to the manufactures terms & conditions.

IMPORTANT: No liability will be accepted for the incorrect use of this product.

KEEP THIS BOOKLET FOR FUTURE REFERENCE

📞 Nottingham: 0115 946 1988 • London: 0208 830 3333 ✉ Nottingham: sales@hscgroupuk.co.uk • London: sean@hscgroupuk.co.uk 🌐 www.hscgroupuk.co.uk

The Hire Supply Company Terms & Conditions Apply At All Time E&OE