



PARTS DRAWING



**Dual Voltage 41ltr
Professional Dehumidifier**

**Product Code:
DH44DV**

Serial Number Range:

From:

To:

Year Of Manufacture: 2013

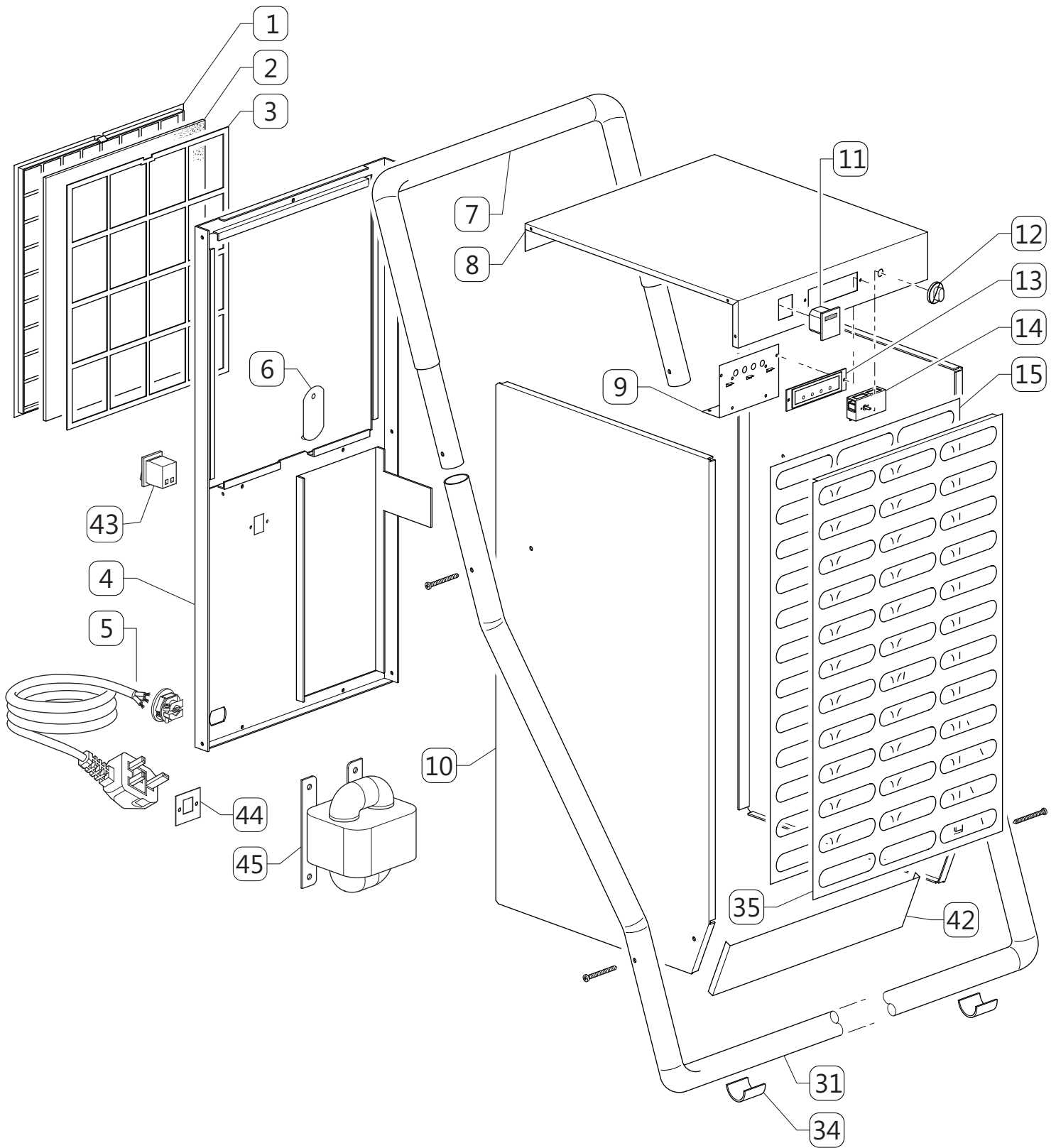


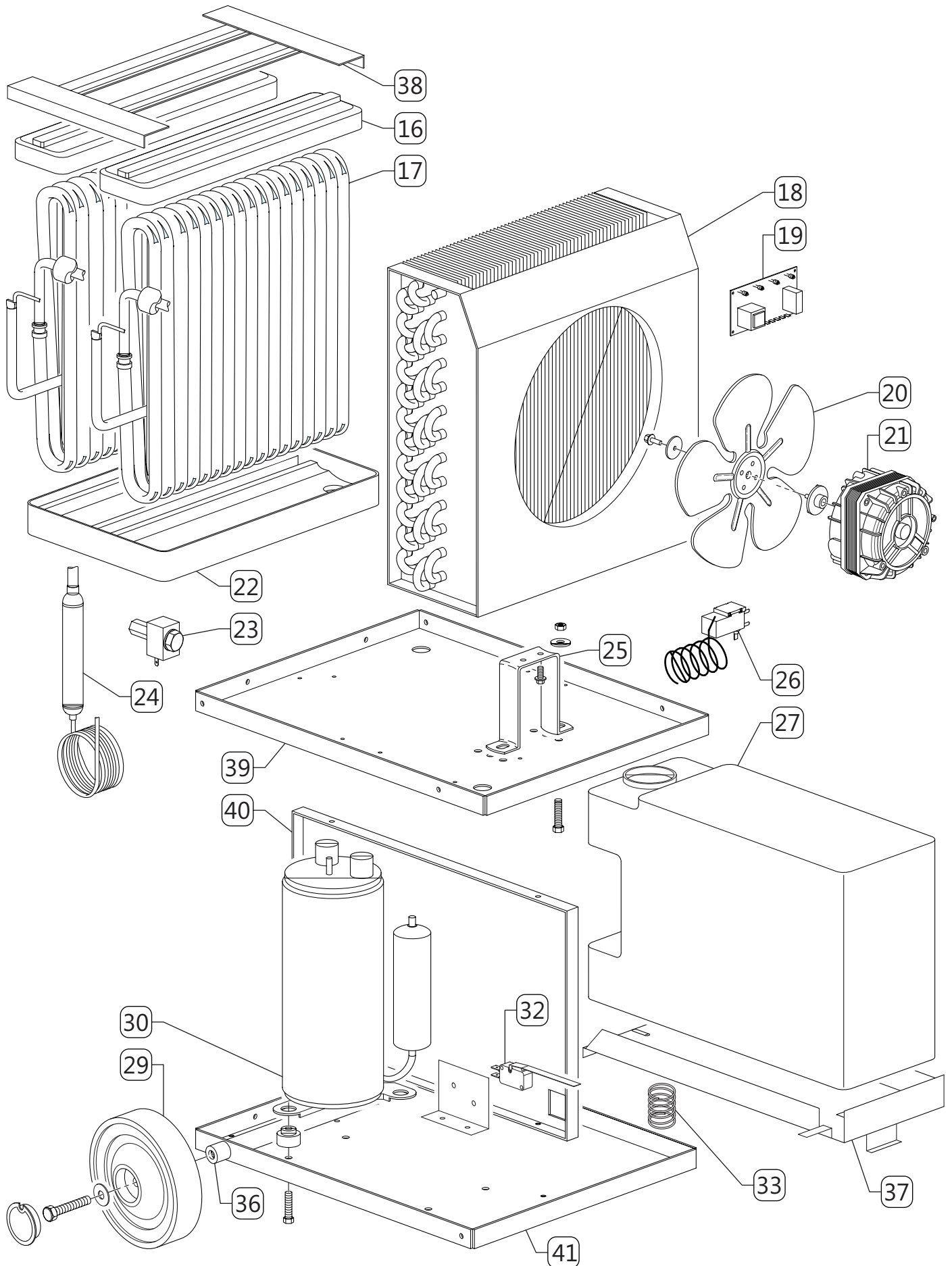
***Please note, when ordering online via our website if the part number is not recognised, please Email spares@hscgroupuk.co.uk or Telephone 0115 946 1988**

KEEP THIS BOOKLET FOR FUTURE REFERENCE

Nottingham: 0115 946 1988 • London: 0208 830 3333 ✉ Nottingham: sales@hscgroupuk.co.uk • London: sean@hscgroupuk.co.uk 🌐 www.hscgroupuk.co.uk

The Hire Supply Company Terms & Conditions Apply At All Time E&OE





Pos.	Part No	Description
1+2+3	4515.991	Air filter + lock and holder
4	4140.336	Back panel
5	S/R	Powerd cord UK
6	S/R	Lock block
7	4140.262	Handle
8	4515.942	Cover
9	4140.206	Support PCB
10	S/R	Side panel (left+right)
11	4140.158	Hour counter
12	4140.204	Knob
13	4140.205	Control panel with silkscreen printing
14	4140.245	Dehumidostat
15	4140.299	Inside grille
16	4140.247	Top tray
17	4140.246	Evaporator
18	4140.248	Condenser
19	4140.201	Electronic card
20	4140.249	Impeller
21	4140.250	Motorfan
22	4140.202	Lower condensate collecting tray
23	4140.261	Solenoid valve
24	4140.254	Refrigerant filter with capillary
25	4140.251	Fan braket
26	4140.230	Thermostat
27	4140.255	Tank
29	4032.094	Wheel
30	4140.252	Compressor + compr. starting group
31	4140.340	Pipe handle
32	4140.258	Microswitch
33	4140.256	Sprig
34	4140.234	Foot
35	4140.295	Outside grille
36	S/R	Wheel axle
37	4140.263	Tank support
38	S/R	Support evaporator
39	S/R	Upper bottom
40	S/R	Vertical panel
41	S/R	Bottom panel
42	4140.335	Lower front panel
43	4140.346	Switch
44	4140.347	Plate
45	4140.348	Transformer

S/R = Parts available on special request only



Recycling



ENVIRONMENTAL PROTECTION: Please recycle any unwanted materials as opposed to disposing them as general waste. It is recommended the original is retained and used to store the product when not in use for prolonged periods of time. If this is not applicable ensure the materials are sorted and recycled in accordance with local regulations.



SPECIFICATION CHANGE: It is our policy to continually improve products to ensure these meet the rigours of the industry we serve. Therefore, as such we reserve the right to alter specifications, data, components & parts with-out prior notice.

WARRANTY: Please refer to the manufactures terms & conditions.

IMPORTANT: No liability will be accepted for the incorrect use of this product.

KEEP THIS BOOKLET FOR FUTURE REFERENCE

📞 Nottingham: 0115 946 1988 • London: 0208 830 3333 ✉ Nottingham: sales@hscgroupuk.co.uk • London: sean@hscgroupuk.co.uk 🌐 www.hscgroupuk.co.uk

The Hire Supply Company Terms & Conditions Apply At All Time E&OE