



# PARTS DRAWING



**240v 27ltr Professional  
Dehumidifier**

**Product Code:  
DH26**



Serial Number Range:

From:

To:

Year Of Manufacture: 2020

**\*Please note, when ordering online via our website if the part number is not recognised,  
please Email [spares@hscgroupuk.co.uk](mailto:spares@hscgroupuk.co.uk) or Telephone 0115 946 1988**

**KEEP THIS BOOKLET FOR FUTURE REFERENCE**

Nottingham: 0115 946 1988 • London: 0208 830 3333 ✉ Nottingham: [sales@hscgroupuk.co.uk](mailto:sales@hscgroupuk.co.uk) • London: [sean@hscgroupuk.co.uk](mailto:sean@hscgroupuk.co.uk) 🌐 [www.hscgroupuk.co.uk](http://www.hscgroupuk.co.uk)

The Hire Supply Company Terms & Conditions Apply At All Time E&OE

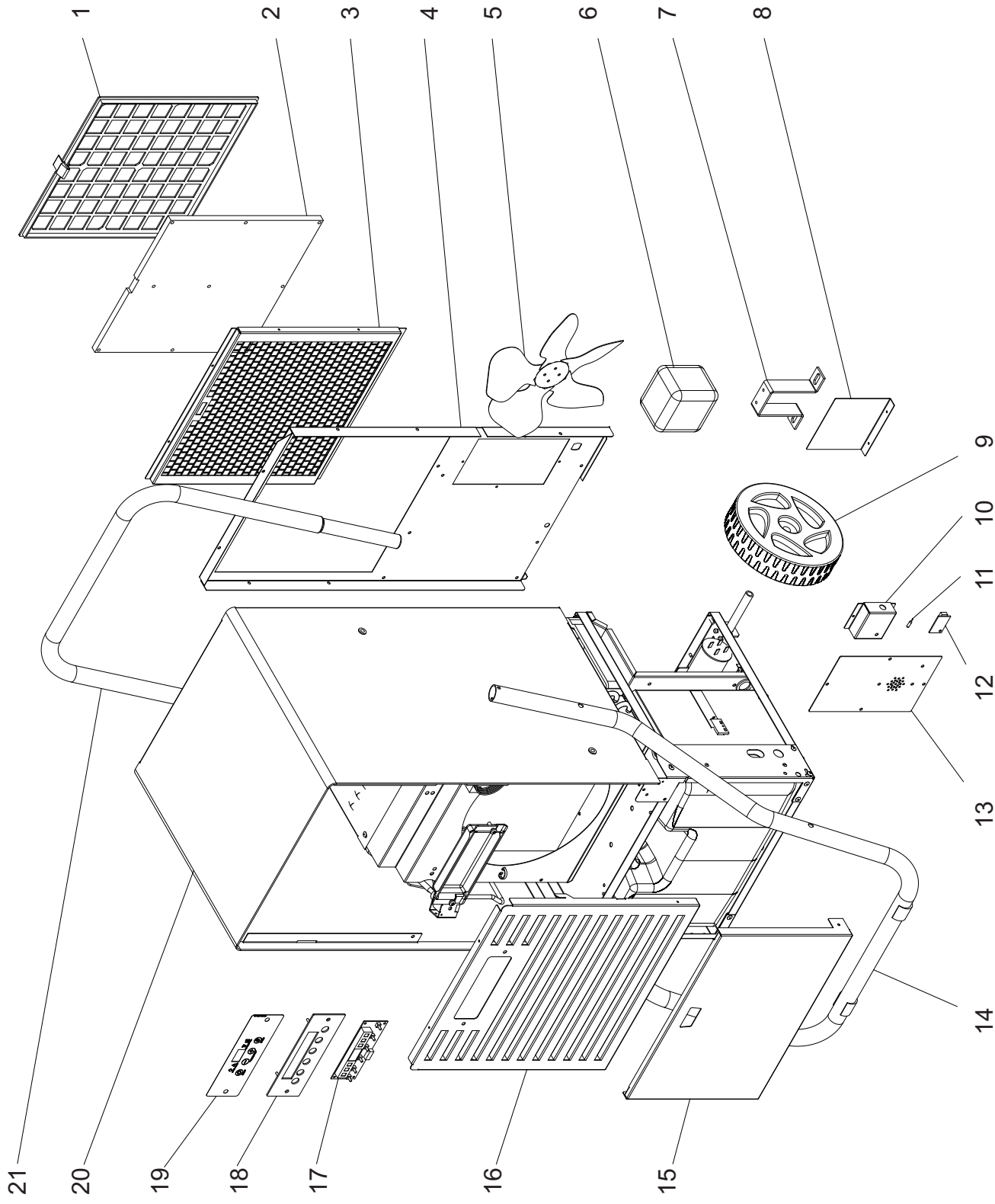
# MODEL DH 26 (R1234)

UNIT 1

ILLUSTRATED PARTS BREAKDOWN

From Serial Number :

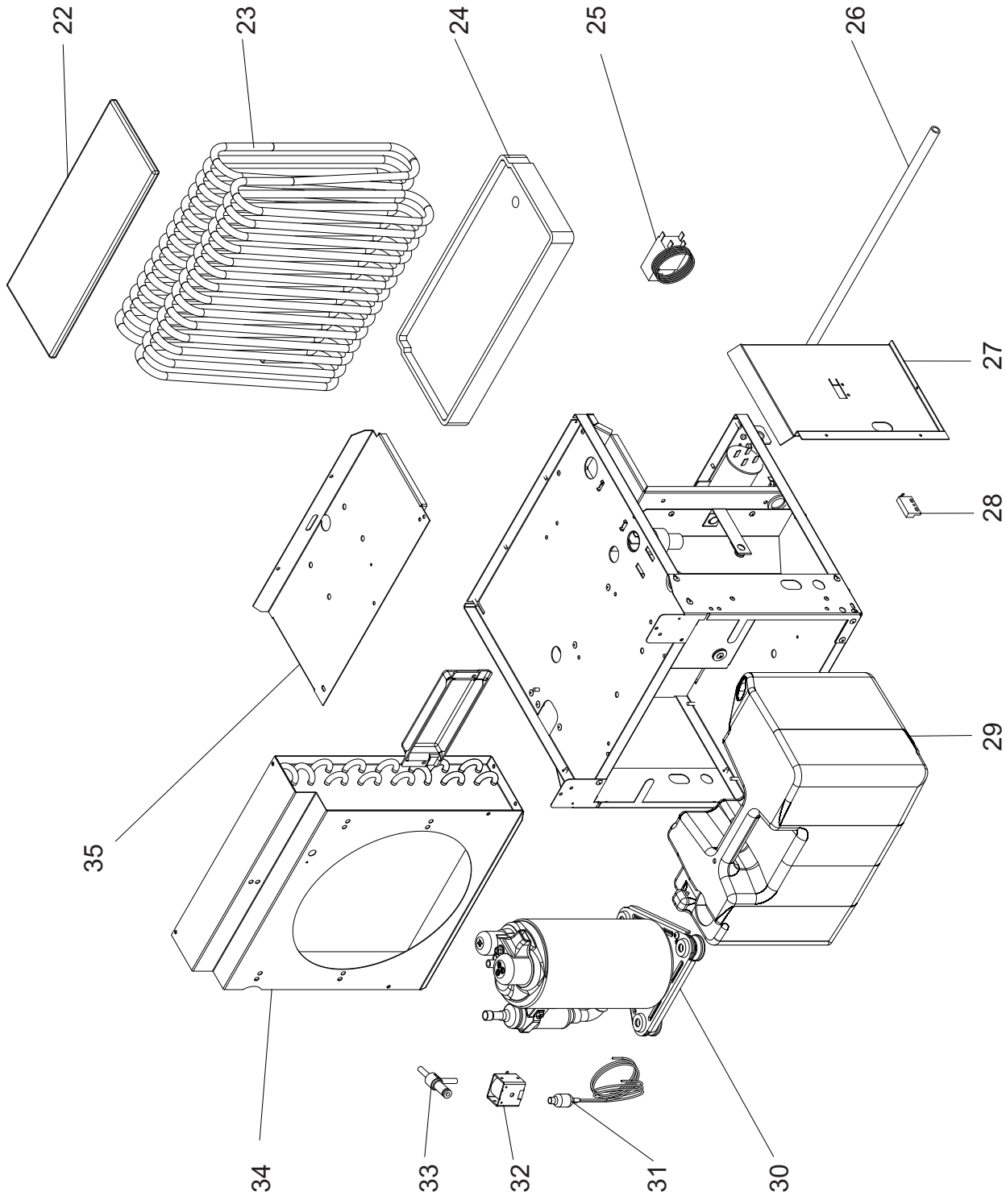
Rev.- - Nov. 2020



# MODEL DH 26 (R1234)

UNIT 2

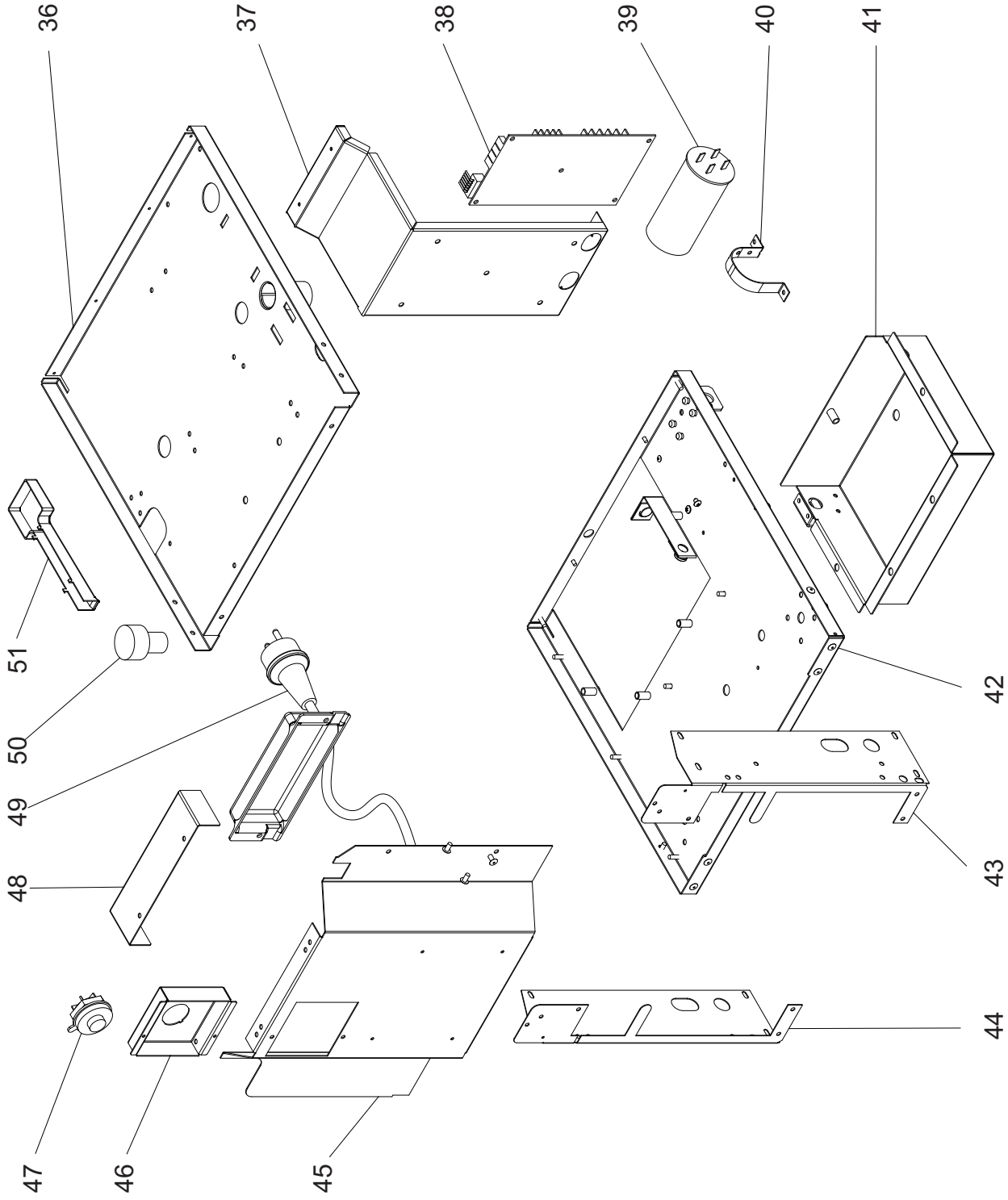
ILLUSTRATED PARTS BREAKDOWN



# MODEL DH 26 (R1234)

UNIT 3

ILLUSTRATED PARTS BREAKDOWN



# MODEL DH 26

UNIT 2

PARTS LIST

N°	CODE	DESCRIPTION
1	4141.614	FILTER SEAT
2	4141.579	AIR FILTER
3	4141.615	INSIDE GRILLE
4	4141.616	BACK PANEL
5	4140.270	IMPELLER
6	4140.271	MOTORFAN
7	4140.272	FAN SUPPORT
8	S/R	FAN PROTECTION
9	4141.578	WHEEL
10	S/R	BOX HUMIDITY PROBE
11	4141.654	TEMPERATURE PROBE
12	4141.652	HUMIDITY SENSOR
13	4141.617	PANNEL VANE SENSOR
14	4140.300	HANDLE PIPE
15	4141.618	DOOR
16	4141.619	FRONTAL GRILL
17	4141.607	DIGIT DISPLAY
18	4141.585	DISPLAY SUPPORT
19	4141.600	DISPLAY LABEL
20	4141.620	COVER
21	4140.342	HANDLE
22	4140.294	TOP TRY
23	4140.293	EVAPORATOR
24	4140.294	LOWER CONDENSATE COLLECTING TRAY
25	4141.592	THERMOSTAT
26	4141.091	AXIL WHEEL
27	S/R	SENSOR TANK SUPPORT
28	4140.430	SENSOR TANK
29	4141.621	TANK
30	4141.622	KIT COMPRESSOR
31	4141.623	REFRIGERANT FILTER WITH CAPILLARY
32	4141.588	COIL
33	4141.624	SOLENOID VALVE
34	4141.625	CONDENSER
35	S/R	SUPPORT EVAPORATOR
36	S/R	PLANE INTERMEDIATE
37	S/R	ELETTRICAL VANE
38	4141.606	ELECTRONIC CARD
39	4141.650	RUN CAPACITOR
40	S/R	CONDENSER CAPACITOR BELT
41	S/R	COMPRESSOR BOX
42	S/R	BOTTOM PANEL
43	S/R	UPPERCUT RIGHT
44	S/R	UPPERCUT LEFT
45	S/R	VERTICAL PANEL
46	S/R	CONNECTOR SUPPORT
47	4141.651	CONNECTOR 6 PIN
48	S/R	PROTECTION PANNEL
49	4140.479	CABLE
49A	4141.656	CABLE UK
50	S/R	DISCHARGE
51	4140.274	DISCHARGE CHANNEL



## Recycling



**ENVIRONMENTAL PROTECTION:** Please recycle any unwanted materials as opposed to disposing them as general waste. It is recommended the original is retained and used to store the product when not in use for prolonged periods of time. If this is not applicable ensure the materials are sorted and recycled in accordance with local regulations.



**SPECIFICATION CHANGE:** It is our policy to continually improve products to ensure these meet the rigours of the industry we serve. Therefore, as such we reserve the right to alter specifications, data, components & parts with-out prior notice.

**WARRANTY:** Please refer to the manufactures terms & conditions.

**IMPORTANT:** No liability will be accepted for the incorrect use of this product.

### KEEP THIS BOOKLET FOR FUTURE REFERENCE

📞 Nottingham: 0115 946 1988 • London: 0208 830 3333    ✉ Nottingham: [sales@hscgroupuk.co.uk](mailto:sales@hscgroupuk.co.uk) • London: [sean@hscgroupuk.co.uk](mailto:sean@hscgroupuk.co.uk)    🌐 [www.hscgroupuk.co.uk](http://www.hscgroupuk.co.uk)

The Hire Supply Company Terms & Conditions Apply At All Time E&OE