



# PARTS DRAWING



## Master DC61 Hybrid Infra-Red Oil-Fired Heater

**Product Code:  
DC61**



Serial Number Range:

From:

To:

Year Of Manufacture: 2017

**\*Please note, when ordering online via our website if the part number is not recognised, please Email [spares@hscgroupuk.co.uk](mailto:spares@hscgroupuk.co.uk) or Telephone 0115 946 1988**

### KEEP THIS BOOKLET FOR FUTURE REFERENCE

📞 Nottingham: 0115 946 1988 • London: 0208 830 3333    ✉ Nottingham: [sales@hscgroupuk.co.uk](mailto:sales@hscgroupuk.co.uk) • London: [sean@hscgroupuk.co.uk](mailto:sean@hscgroupuk.co.uk)    🌐 [www.hscgroupuk.co.uk](http://www.hscgroupuk.co.uk)

The Hire Supply Company Terms & Conditions Apply At All Time E&OE

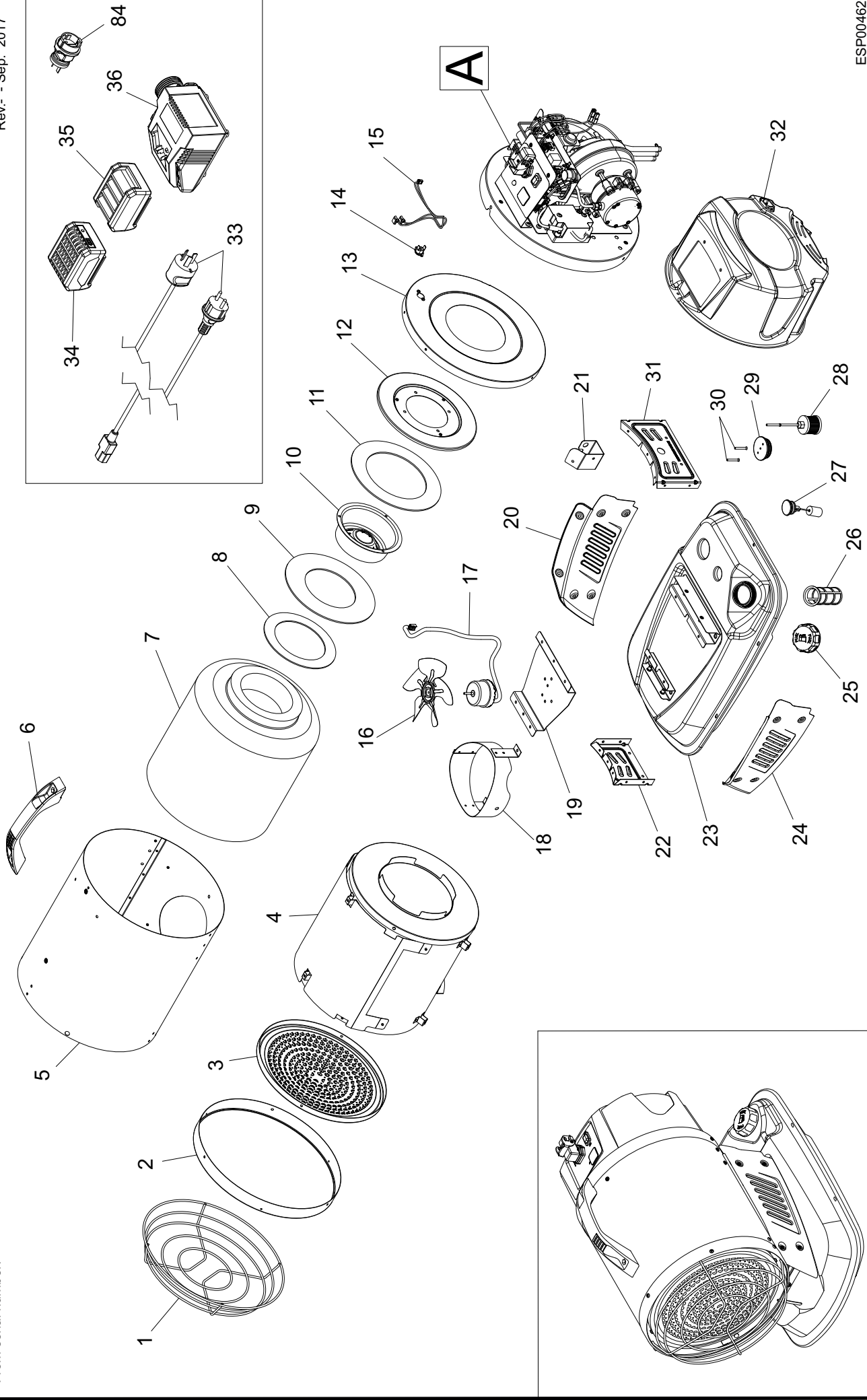
# MODEL DC61 - 12 V

## UNIT 1

## ILLUSTRATED PARTS BREAKDOWN

From serial number:

Rev. - Sep. 2017

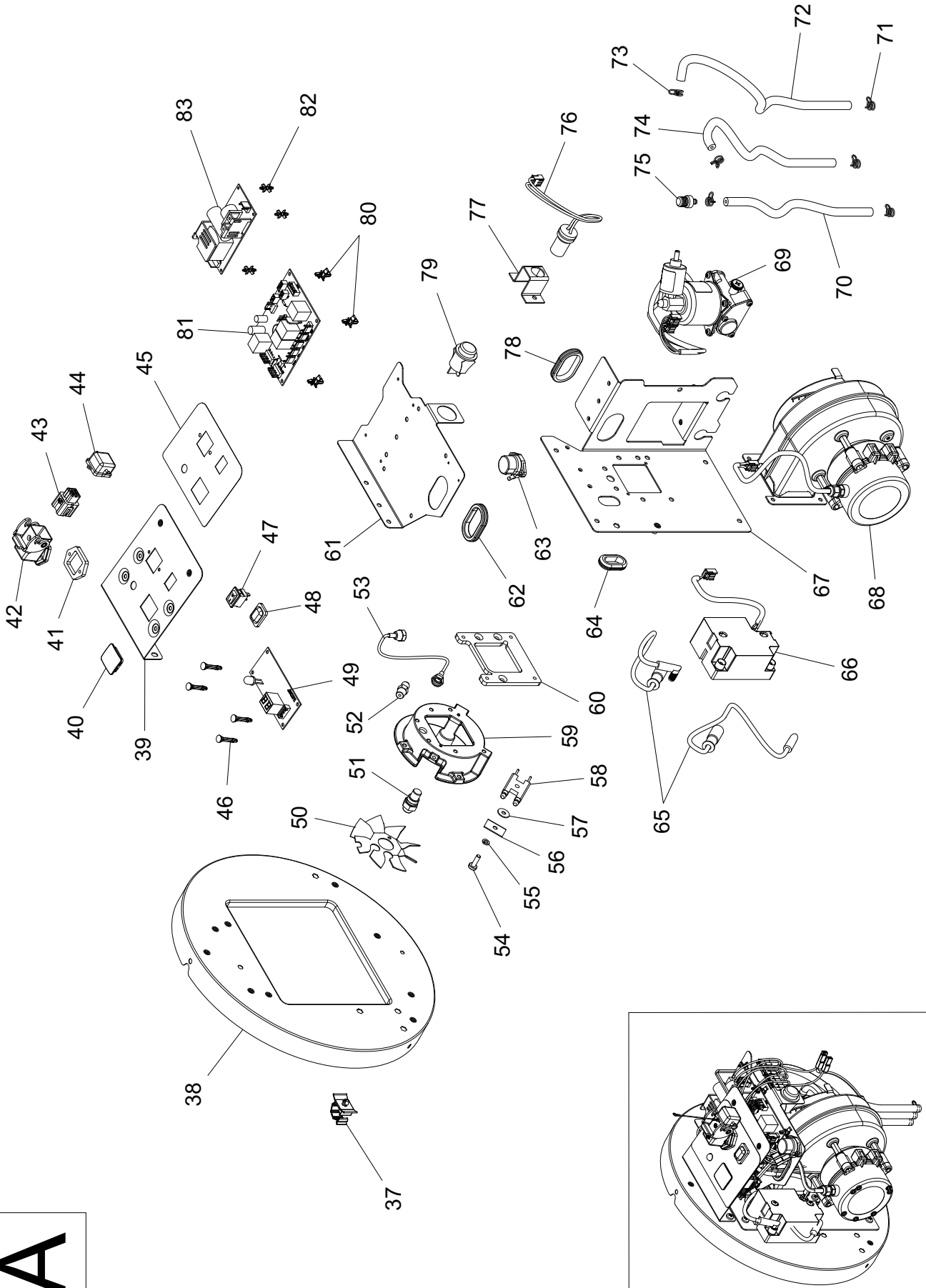


# MODEL DC61 - 12V

UNIT 2

ILLUSTRATED PARTS BREAKDOWN

# A



# MODEL DC 61 - 12 V

UNIT 2

PARTS LIST

Rev. - - Sept. 2017

POS.	Code NR	Description
1	4201.046	ANTERIOR GRILL
2	4201.074	GRILL RING
3	4201.045	RADIANT DISK
4	4201.371	COMBUSTION CHAMBER
5	4201.021	EXTERNAL SHELL
6	4201.048	HANDLE
7	4201.044	INSULATION CHAMBER
8	4201.475	SIDE DIFFUSER CERAMIC FIBER GASKET
9	4201.139	CERAMIC FIBER GASKET
10	4201.030	DIFFUSER
11	4201.032	CERAMIC FIBER GASKET
12	4201.031	MOLDED FLANGE
13	4201.421	REAR PLATE
14	4260.269	SAFETY THERMOSTAT
15	4201.290	SAFETY THERMOSTAT WIRES
16	4201.396	COOLING FAN
17	4260.245	COOLING MOTOR
18	4201.018	COOLING MOTOR RING
19	4201.372	COOLING MOTOR BRACKET
20	4201.011	LEFT SIDE SHELL
21	4201.370	POWER CORD BRACKET
22	4201.007	ANTERIOR SHELL
23	4201.000	TANK
24	4201.013	RIGHT SHELL
25	4100.054	TANK CAP
26	4290.239	TANK FILTER
27	4260.006	FUEL GAUGE
28	4201.058	FUEL FILTER
29	4201.443	RUBBER GASKET
30	4201.415	OIL PIPE
31	4201.009	REAR SHELL
32	4201.472	REAR COVER
33A	4201.397	POWER CORD SCHUKO
33B	4201.423	POWER CORD NEW ZEALAND
34	4260.268	6000 mAh BATTERY
35	4106.312	3000 mAh BATTERY
36	4260.270	BATTERY CHARGER
37	4201.406	WIRES CLAMP
38	4201.435	REAR COMPONENTS PLATE
39	4201.480	DISPLAY BRACKET
40	4201.078	DISPLAY COVER
41	4201.426	ROOM THERMOSTAT SOCKET SPACER
42	4160.647	ROOM THERMOSTAT SOCKET
43	4161.400	ROOM THERMOSTAT PLUG
44	4162.467	ROOM THERMOSTAT CAP
45	4201.447	DISPLAY LABEL
46	4290.028	DISPLAY BOARD SPACER
47	4106.179	SWITCH
48	4104.336	SWITCH COVER
49	4201.424	DISPLAY BOARD
50	4201.387	TURBULATOR

# MODEL DC 61 - 12 V

UNIT 3

PARTS LIST

POS.	Code NR	Description	Rev. - - Sept. 2017
51	4260.001	NOZZLE	
52	4290.053	STRAIGHT CONNECTION	
53	4201.456	OIL PIPE	
54	4160.602	SCREW	
55	4110.393	ELASTIC WASHER	
56	4117.686	ELECTRODE BRACKET	
57	4110.394	FIBER WASHER	
58	4201.035	ELECTRODES	
59	4201.033	COMBUSTION HEAD	
60	4117.688	COMBUSTION HEAD PLATE	
61	4201.460	PC-BOARDS BRACKET	
62	4290.242	WIRES PROTECTION	
63	4260.110	ANTI-TILT SENSOR	
64	4290.003	WIRES PROTECTION	
65	4201.089	HIGH TENSION WIRES	
66	4260.263	HIGH TENSION TRANSFORMER	
67	4201.476	COMPONENTS BRACKET	
68	4201.481	COMBUSTION FAN+MOTOR	
69	4260.243	OIL PUMP	
70	4201.062	BREATHE RUBBER PIPE	
71	4100.810	CLAMP	
72	4201.062	OIL RUBBER PIPE	
73	4100.810	CLAMP	
74	4201.061	OIL RUBBER PIPE	
75	4260.246	BREATHE VALVE	
76	4201.260	PHOTOCELL SENSOR	
77	4201.259	PHOTOCELL BRACKET	
78	4290.242	WIRES PROTECTION	
79	4260.233	RESET BUTTON	
80	4290.021	PC-BOARD SPACER	
81	4201.379	PC-BOARD	
82	4290.243	POWER SUPPLY BOARD	
83	4201.478	POWER SUPPLY BOARD SPACER	
84	4260.279	SCHUKO TO NEW ZEAL. PLUG ADAPTER	

## RECOMMENDED PARTS LIST

POS.	Code NR	Description	Rev. - - Sept. 2017
3	4201.045	RADIANT DISK	
7	4201.044	INSULATION CHAMBER	
14	4260.269	SAFETY THERMOSTAT	
17	4260.245	COOLING MOTOR	
28	4201.058	FUEL FILTER	
51	4260.001	NOZZLE	
58	4201.035	ELECTRODE	
63	4260.110	ANTI-TILT SENSOR	
66	4260.263	HIGH TENSION TRANSFORMER	
68	4201.481	COMBUSTION FAN+MOTOR	
69	4260.243	OIL PUMP	
76	4201.260	PHOTOCELL SENSOR	
81	4201.379	PC-BOARD	
83	4201.478	POWER SUPPLY BOARD	



## Recycling



**ENVIRONMENTAL PROTECTION:** Please recycle any unwanted materials as opposed to disposing them as general waste. It is recommended the original is retained and used to store the product when not in use for prolonged periods of time. If this is not applicable ensure the materials are sorted and recycled in accordance with local regulations.



**SPECIFICATION CHANGE:** It is our policy to continually improve products to ensure these meet the rigours of the industry we serve. Therefore, as such we reserve the right to alter specifications, data, components & parts with-out prior notice.

**WARRANTY:** Please refer to the manufactures terms & conditions.

**IMPORTANT:** No liability will be accepted for the incorrect use of this product.

### KEEP THIS BOOKLET FOR FUTURE REFERENCE

📞 Nottingham: 0115 946 1988 • London: 0208 830 3333    ✉ Nottingham: [sales@hscgroupuk.co.uk](mailto:sales@hscgroupuk.co.uk) • London: [sean@hscgroupuk.co.uk](mailto:sean@hscgroupuk.co.uk)    🌐 [www.hscgroupuk.co.uk](http://www.hscgroupuk.co.uk)

The Hire Supply Company Terms & Conditions Apply At All Time E&OE