



PARTS DRAWING



**240v Floor
Dryer**

**Product Code:
CDX20**



Serial Number Range:

From:

To:

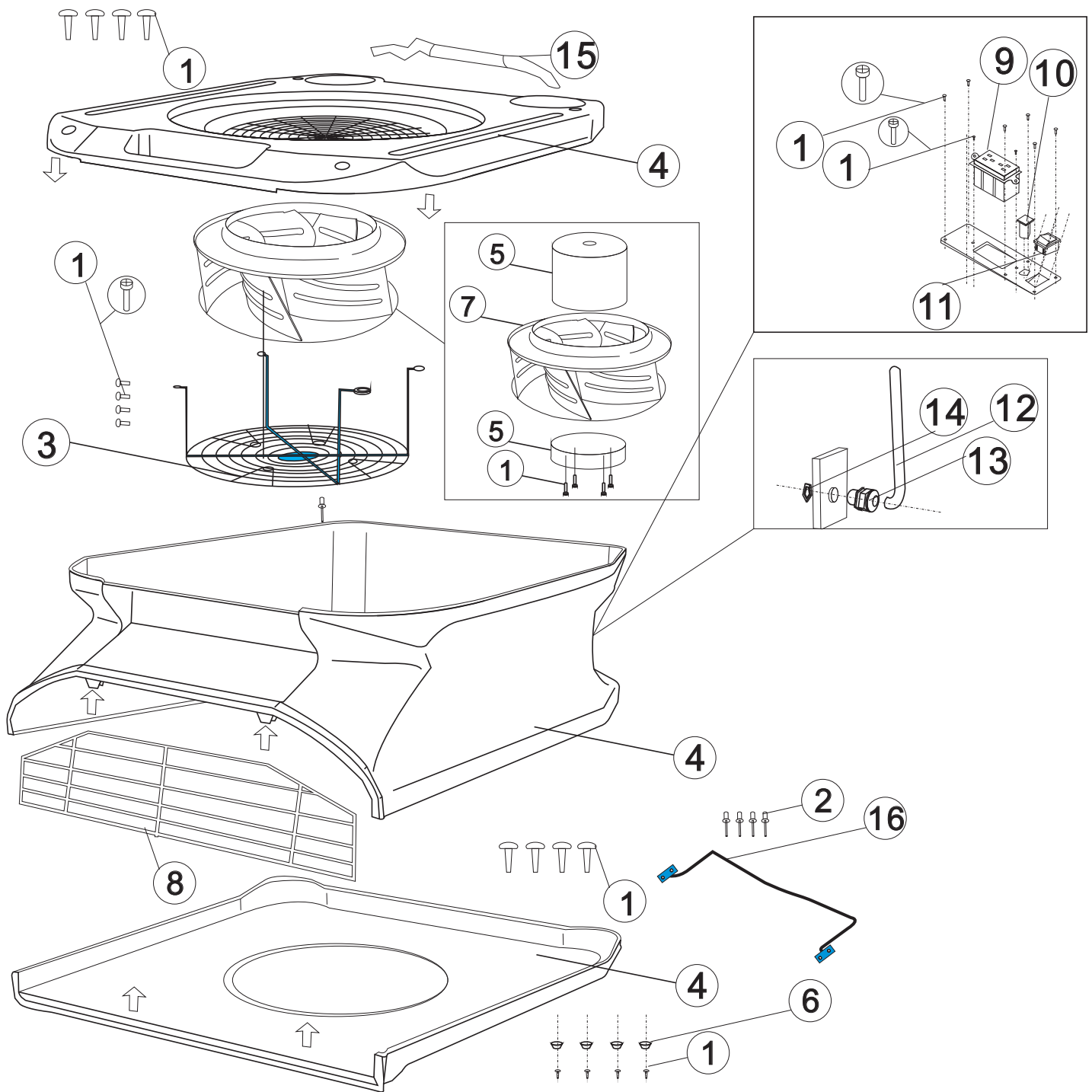
Year Of Manufacture:

***Please note, when ordering online via our website if the part number is not recognised,
please Email spares@hscgroupuk.co.uk or Telephone 0115 946 1988**

KEEP THIS BOOKLET FOR FUTURE REFERENCE

Nottingham: 0115 946 1988 • London: 0208 830 3333 ✉ Nottingham: sales@hscgroupuk.co.uk • London: sean@hscgroupuk.co.uk 🌐 www.hscgroupuk.co.uk

The Hire Supply Company Terms & Conditions Apply At All Time E&OE



Pos.	Code	Description	Quantity
1	4603.613	SCREW	16
2	4603.611	RIVET	4
3	4603.615	WIRE GRILL	1
4	4603.606	HOUSING	1
5	4603.600	AC MOTOR	1
6	4603.612	RUBBER FOOT	4
7	4603.602	FAN BLADE	1
8	4603.609	OUTLET GRILL	1
9	4603.603	GFCI OUTLET	1
10	4603.601	CIRCUIT BREAKER	1
11	4603.608	ON/OFF ROCKER SWITCH	1
12	4603.610	POWER CORD	1
13	4603.614	STRAIN RELIEF	1
14	4603.605	HEX NUT	1
15	4603.604	HANDLE	1
16	4603.607	KICKSTAND	1



Recycling



ENVIRONMENTAL PROTECTION: Please recycle any unwanted materials as opposed to disposing them as general waste. It is recommended the original is retained and used to store the product when not in use for prolonged periods of time. If this is not applicable ensure the materials are sorted and recycled in accordance with local regulations.



SPECIFICATION CHANGE: It is our policy to continually improve products to ensure these meet the rigours of the industry we serve. Therefore, as such we reserve the right to alter specifications, data, components & parts with-out prior notice.

WARRANTY: Please refer to the manufactures terms & conditions.

IMPORTANT: No liability will be accepted for the incorrect use of this product.

KEEP THIS BOOKLET FOR FUTURE REFERENCE

📞 Nottingham: 0115 946 1988 • London: 0208 830 3333 ✉ Nottingham: sales@hscgroupuk.co.uk • London: sean@hscgroupuk.co.uk 🌐 www.hscgroupuk.co.uk

The Hire Supply Company Terms & Conditions Apply At All Time E&OE