



PARTS DRAWING



**240v Floor
Dryer**

**Product Code:
CD5000**



Serial Number Range:

From:

To:

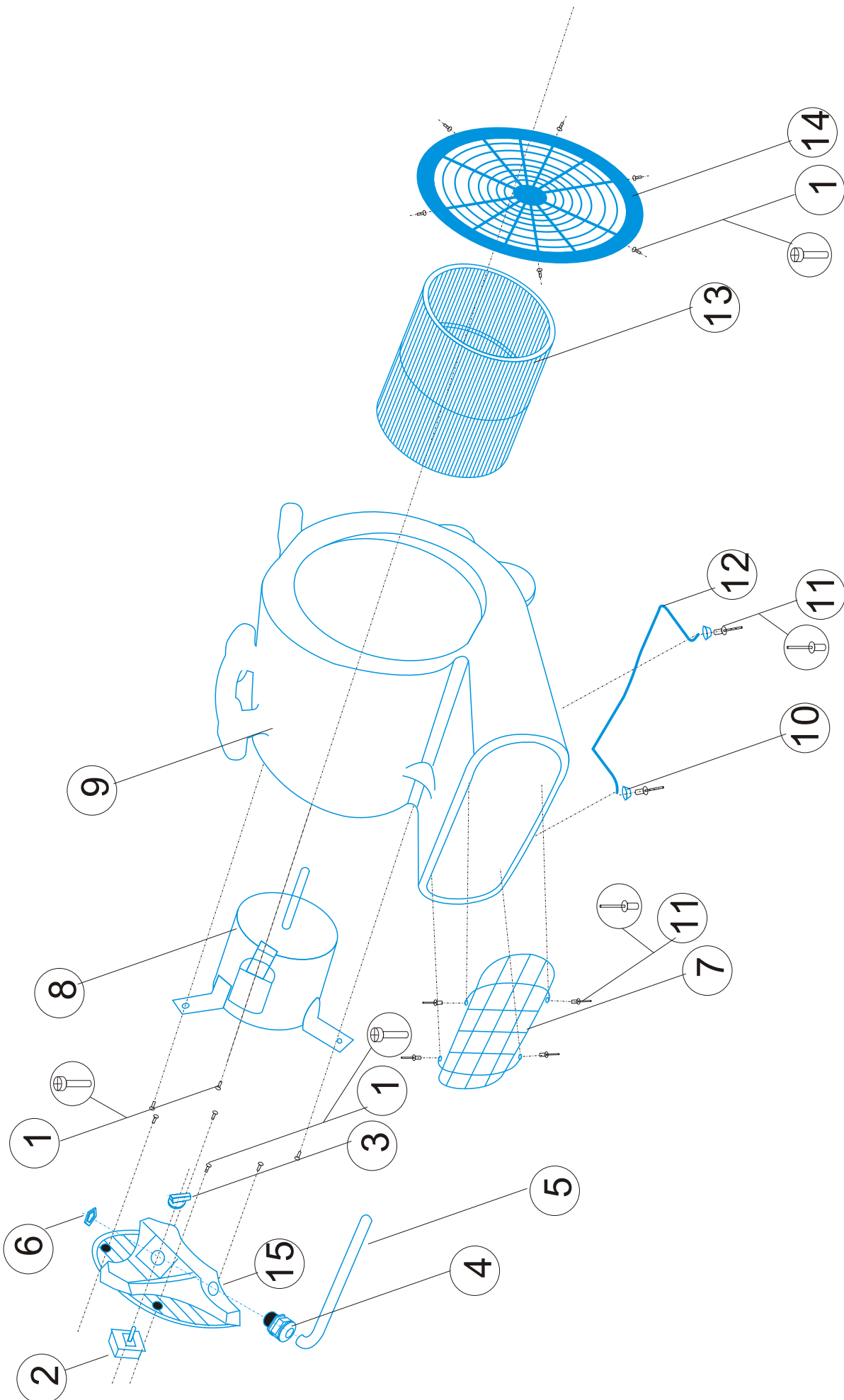
Year Of Manufacture:

***Please note, when ordering online via our website if the part number is not recognised, please Email spares@hscgroupuk.co.uk or Telephone 0115 946 1988**

KEEP THIS BOOKLET FOR FUTURE REFERENCE

Nottingham: 0115 946 1988 • London: 0208 830 3333 ✉ Nottingham: sales@hscgroupuk.co.uk • London: sean@hscgroupuk.co.uk 🌐 www.hscgroupuk.co.uk

The Hire Supply Company Terms & Conditions Apply At All Time E&OE



Pos.	Code NR	Description
1	S/R	Screw 8-15x5/8
2	4604.258	Switch 4-Position
3	4604.253	Knob
4	4604.257	Strain relief
5	4604.250	Black Cord
6	4604.255	Nut
7	4604.252	Front guard
8	4604.202	Motor 3/4HP
9	S/R	Housing-Blower
10	S/R	Nut
11	S/R	Screw 8-15x5/8
12	4604.259	Wire foot
13	4604.251	Blower Wheel
14	4604.254	Left Side Fan Guard
15	4604.256	Right Side Fan Guard

S/R = Parts available on special request only



Recycling



ENVIRONMENTAL PROTECTION: Please recycle any unwanted materials as opposed to disposing them as general waste. It is recommended the original is retained and used to store the product when not in use for prolonged periods of time. If this is not applicable ensure the materials are sorted and recycled in accordance with local regulations.



SPECIFICATION CHANGE: It is our policy to continually improve products to ensure these meet the rigours of the industry we serve. Therefore, as such we reserve the right to alter specifications, data, components & parts with-out prior notice.

WARRANTY: Please refer to the manufactures terms & conditions.

IMPORTANT: No liability will be accepted for the incorrect use of this product.

KEEP THIS BOOKLET FOR FUTURE REFERENCE

📞 Nottingham: 0115 946 1988 • London: 0208 830 3333 ✉ Nottingham: sales@hscgroupuk.co.uk • London: sean@hscgroupuk.co.uk 🌐 www.hscgroupuk.co.uk

The Hire Supply Company Terms & Conditions Apply At All Time E&OE