

# Charbro®

*air*



## 24, 30 & 36 INCH DRUM FANS

MODEL NO: CAMAX24, 30 & 36

PART NO: 3231700 / 3231705 / 3231710

## OPERATION & MAINTENANCE INSTRUCTIONS

UK  
PA | CE



ORIGINAL INSTRUCTIONS

DL0922 - ISS 3

# INTRODUCTION

Thank you for purchasing this CLARKE Drum Fan.

Before attempting to use this product, please read this manual thoroughly and follow the instructions carefully. In doing so you will ensure the safety of yourself and that of others around you, and you can look forward to your purchase giving you long and satisfactory service.

# SPECIFICATIONS

MODEL	CAMAX24	CAMAX30	CAMAX36
Part No:	3231700	3231705	3231710
Manufacturer/place of manufacture	Clarke International/made in China		
Voltage:	230 V~ (50Hz)	230 V~ (50Hz)	230 V~ (50Hz)
Power consumption	330 W	315 W	410 W
Rated motor power input at optimum energy efficiency	391 W	368 W	459 W
Fan Speeds			
Setting 1	1304 rpm	880 rpm	880 rpm
Setting 2	1428 rpm	960 rpm	960 rpm
Max Air Flow	274 m <sup>3</sup> /m	401 m <sup>3</sup> /m	455 m <sup>3</sup> /m
Rated air flow at optimum energy efficiency	1.116 m <sup>3</sup> /s	1.69 m <sup>3</sup> /s	2.242 m <sup>3</sup> /s
Rated air pressure at optimum energy efficiency	110 Pa	70 Pa	65 Pa
RPM at at optimum energy efficiency	1399 rpm	954 rpm	940 rpm
"Specific Ratio"(EU No 327/2011)	N/a		
Dimensions (DxWxH) mm	740x280x755	910x350x925	1030x370x1080
Weight:	23.5 kg	34.2 kg	40.7 kg
Sound Power Measured	87 dB(A) LW <sub>a</sub>	84 dB(A) LW <sub>a</sub>	84 dB(A) LW <sub>a</sub>

# ELECTRICAL CONNECTIONS



**WARNING! READ THESE ELECTRICAL SAFETY INSTRUCTIONS THOROUGHLY BEFORE CONNECTING THE PRODUCT TO THE MAINS SUPPLY.**

Before switching the product on, make sure that the voltage of your electricity supply is the same as that indicated on the rating plate. This product is designed to operate on 230VAC 50Hz. Connecting it to any other power source may cause damage.

This product may be fitted with a non-rewireable plug. If it is necessary to change the fuse in the plug, the fuse cover must be refitted. If the fuse cover becomes lost or damaged, the plug must not be used until a suitable replacement is obtained.

If the plug has to be changed because it is not suitable for your socket, or due to damage, it should be cut off and a replacement fitted, following the wiring instructions shown below. The old plug must be disposed of safely, as insertion into a mains socket could cause an electrical hazard.

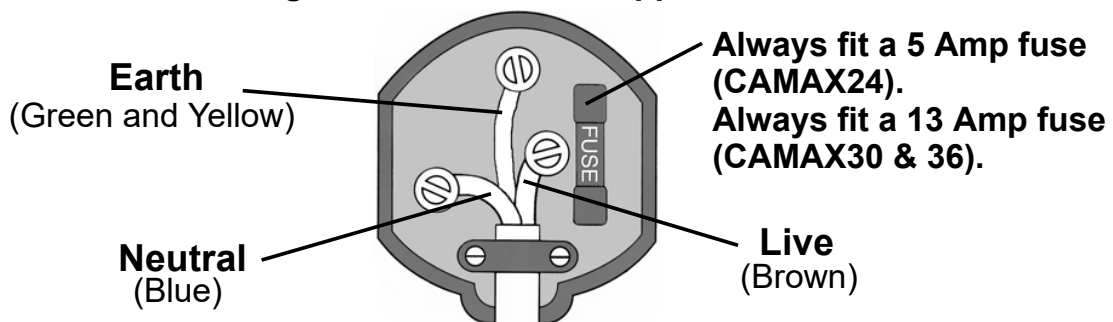


**WARNING! THE WIRES IN THE POWER CABLE OF THIS PRODUCT ARE COLOURED IN ACCORDANCE WITH THE FOLLOWING CODE:  
Blue = Neutral    Brown = Live    Yellow and Green = Earth**

If the colours of the wires in the power cable of this product do not correspond with the markings on the terminals of your plug, proceed as follows.

- The wire which is coloured **Blue** must be connected to the terminal which is marked **N** or coloured **Black**.
- The wire which is coloured **Brown** must be connected to the terminal which is marked **L** or coloured **Red**.
- The wire which is coloured **Yellow and Green** must be connected to the terminal which is marked **E** or  $\perp$  or coloured **Green**.

**Plug must be BS1363/A approved.**



**Ensure that the outer sheath of the cable is firmly held by the clamp**

**We strongly recommend that this machine is connected to the mains supply via a Residual Current Device (RCD)**

If in any doubt, consult a qualified electrician. DO NOT attempt any repairs yourself.

---

## **SAFETY PRECAUTIONS**

---

1. Always read this manual before use.
2. Suitable for indoor use only.
3. Avoid using in dusty environments.
4. Do not use in environments containing chemical fumes etc.
5. Do not use as an extractor fan.
6. Do not use in areas of high humidity/water vapour, i.e. bathrooms etc.
7. Do not connect the fan to duct system.
8. Do not cover the fan with clothing or any material that will restrict free airflow through the fan.
9. Never touch the blades with your hand or any object.
10. Always unplug the fan before moving it or performing maintenance.
11. Don't touch the fan when your hands are wet.
12. Do not disassemble the fan.
13. Always unplug the fan when it is not in use.
14. Never unplug the fan by pulling the cable. Always hold the plug.
15. Never use the fan if the cable or plug are damaged.
16. Never use the fan close to fires.
17. Do not use this fan with any solid-state speed control device to reduce the risk of fire or electric shock.

---

## **ENVIRONMENTAL RECYCLING POLICY**

---



Through purchase of this product, the customer is taking on the obligation to deal with the WEEE in accordance with the WEEE regulations in relation to the treatment, recycling & recovery and environmentally sound disposal of the WEEE.

In effect, this means that this product must not be disposed of with general household waste. It must be disposed of according to the laws governing Waste Electrical and Electronic Equipment (WEEE) at a recognised disposal facility.

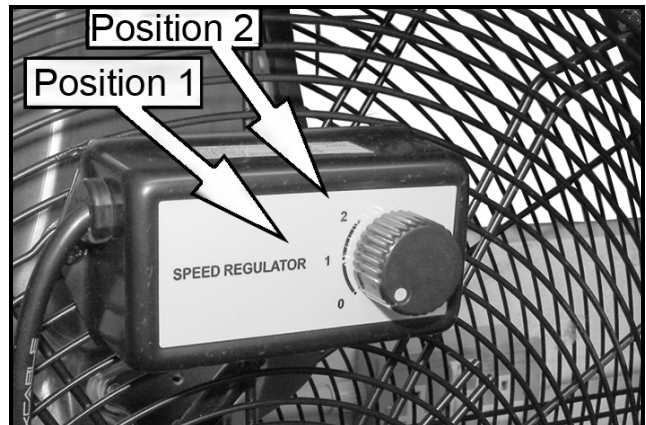
## ADJUSTING THE SPEED



**WARNING: NEVER OPERATE THE FAN WITH THE GUARDS REMOVED. ALWAYS UNPLUG THE FAN BEFORE ANY CLEANING OR MAINTENANCE.**

Turn the switch on the speed regulator to select the fan speed required.

	CAMAX24	CAMAX30	CAMAX36
Pos 1	1304 rpm	880 rpm	880 rpm
Pos 2	1428 rpm	960 rpm	960 rpm



## MAINTENANCE

Have any repairs carried out by a suitably qualified person.

- The motor bearings are permanently sealed for life and do not require any additional lubrication.

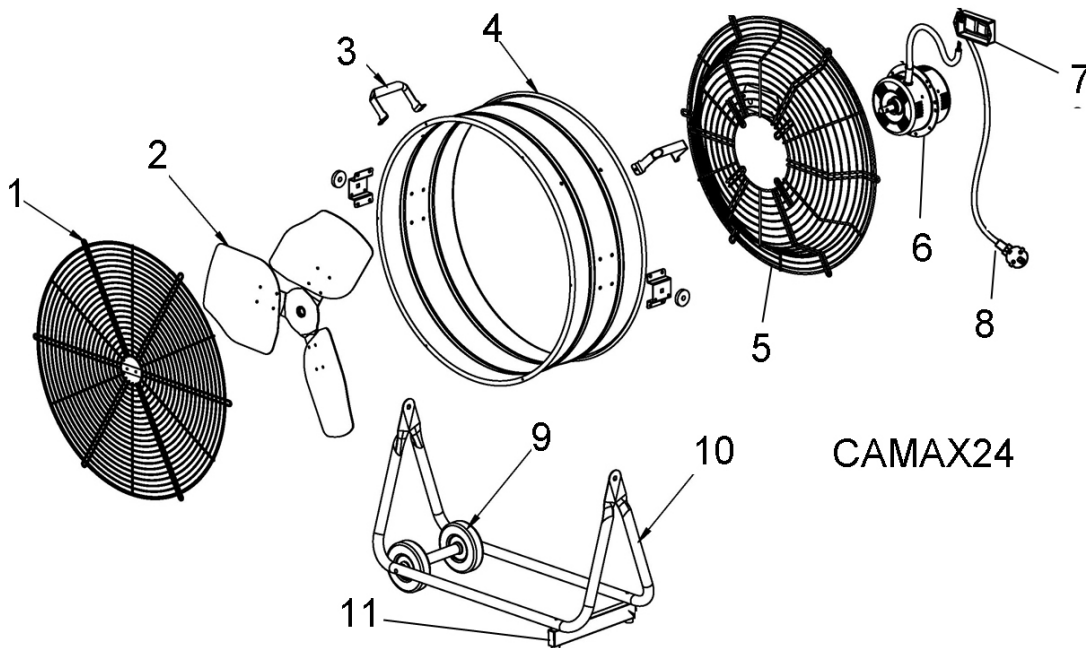
## CLEANING

If the fan has been operating for long periods in a very dusty environment, the blades and motor assembly may eventually require cleaning.

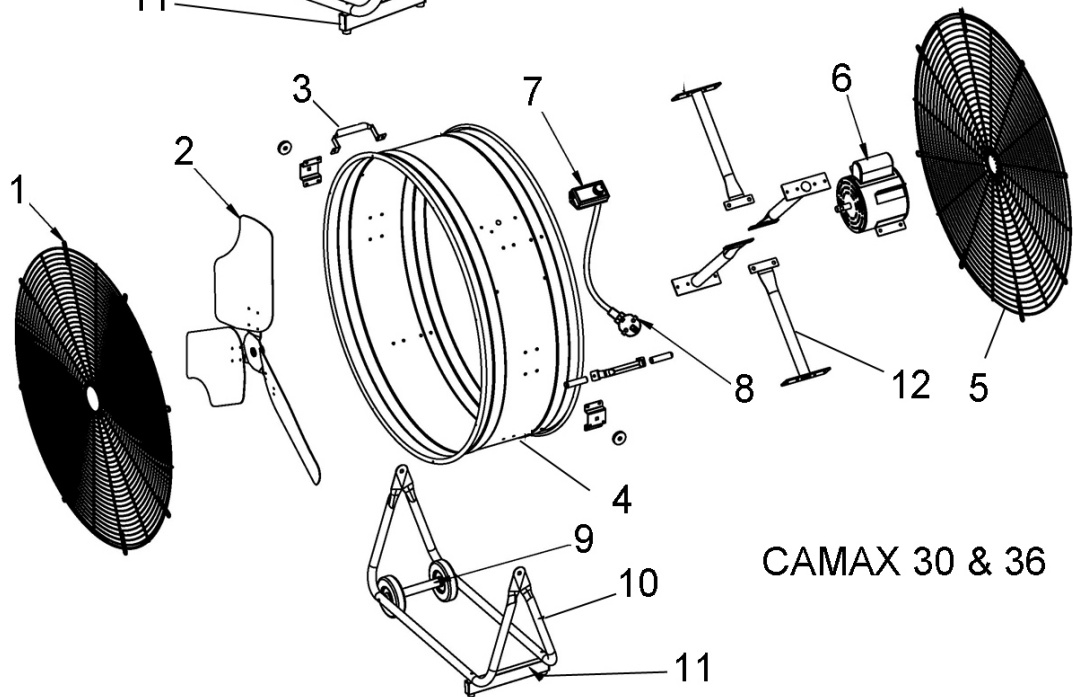
1. Disconnect the power cable from the power supply.
2. Unscrew the front guard and lift it away carefully.
3. Wipe the fan blades with dry cloth and remove any dust from the motor assembly with a soft paintbrush, vacuum cleaner or jet of compressed air.
  - Never use polish or any corrosive liquid that will damage the surface finish.
4. Replace the guard securely before use.



# PARTS LIST AND DIAGRAM



CAMAX24



CAMAX 30 & 36

No	DESCRIPTION	No	DESCRIPTION
1	Front Guard	7	Switch Box
2	Blade Assembly	8	Power cable/plug
3	Handle	9	Wheel & Axle Assembly
4.	Drum	10	Frame
5	Rear Guard	11	Supporting Foot
6	Motor Assembly	12	Supporting bar (30 & 36" only)

# DECLARATION OF CONFORMITY - CAMAX36



Hemmill Street, Epping, Essex CM16 4LG

## DECLARATION OF CONFORMITY

This is an important document and should be retained.

We hereby declare that this product(s) complies with the following statutory requirement(s):

Electromagnetic Compatibility Regulations 2016  
Electrical Equipment (Safety) Regulations 2016  
The Restriction of the Use of Certain Hazardous Substances in Electrical & Electronic Equipment Regulations 2012  
The Eco-design for Energy Related Products & Energy Information (Amendment) (EU Exit) Regulations 2020

The following standards have been applied to the product(s):

EN 55014-1:2017, EN 55014-2:2015, EN 61000-3-2:2014, EN 61000-3-3:2013,  
EN 60335-1:2012 + A11:2014 + A13:2017 + A1:2019 + A14:2019 + A2:2019,  
EN 60335-2-80:2003 + A1:2004 + A2:2009, EN 62233:2008, IEC 62321-4:2017, IEC 62321-5:2013,  
IEC 62321-6:2015, IEC 62321-7-1:2015, IEC 62321-7-2:2017, IEC 62321-8:2017.

The technical documentation required to demonstrate that the product(s) meet(s) the requirement(s) of the aforementioned legislation has been compiled and is available for inspection by the relevant enforcement authorities.

The UKCA mark was first applied in: 2022

Product Description: 36" Drum Fan  
Model number(s): CAMAX36  
Serial / batch Number: N/A  
Date of Issue: 05/09/2022

Signed:

J.A. Clarke  
Director

CAMAX36 UKCA Clarke DOC 090522

Page 1 of 1



Fitzwilliam Hall, Fitzwilliam Place, Dublin 2

## DECLARATION OF CONFORMITY

This is an important document and should be retained.

We hereby declare that this product(s) complies with the following directive(s):

2014/30/EU Electromagnetic Compatibility Directive.  
2014/35/EU Low Voltage Equipment Directive.  
2011/65/EU Restriction of Hazardous Substances.  
2009/125/EC Eco-Design Directive (EU No 327/2011).

The following standards have been applied to the product(s):

EN 55014-1:2017, EN 55014-2:2015, EN 61000-3-2:2014, EN 61000-3-3:2013,  
EN 60335-1:2012 + A11:2014 + A13:2017 + A1:2019 + A14:2019 + A2:2019,  
EN 60335-2-80:2003 + A1:2004 + A2:2009, EN 62233:2008, IEC 62321-4:2017, IEC 62321-5:2013,  
IEC 62321-6:2015, IEC 62321-7-1:2015, IEC 62321-7-2:2017, IEC 62321-8:2017.

The technical documentation required to demonstrate that the product(s) meet(s) the requirement(s) of the aforementioned directive(s) has been compiled and is available for inspection by the relevant enforcement authorities.

The CE mark was first applied in: 2019

Product Description: 36" Drum Fan  
Model number(s): CAMAX36  
Serial / batch Number: N/A  
Date of Issue: 05/09/2022

Signed:

J.A. Clarke  
Director

CAMAX36 CE Clarke DOC 090522

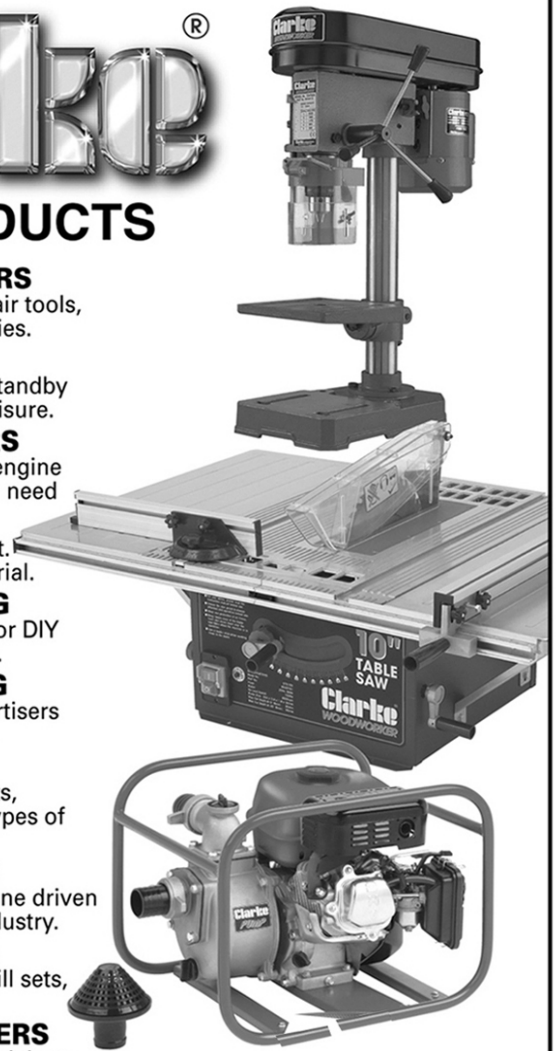
Page 1 of 1



# A SELECTION FROM THE VAST RANGE OF

# Clarke®

## QUALITY PRODUCTS



### **AIR COMPRESSORS**

From DIY to industrial, Plus air tools, spray guns and accessories.

### **GENERATORS**

Prime duty or emergency standby for business, home and leisure.

### **POWER WASHERS**

Hot and cold, electric and engine driven - we have what you need

### **WELDERS**

Mig, Arc, Tig and Spot. From DIY to auto/industrial.

### **METALWORKING**

Drills, grinders and saws for DIY and professional use.

### **WOODWORKING**

Saws, sanders, lathes, mortisers and dust extraction.

### **HYDRAULICS**

Cranes, body repair kits, transmission jacks for all types of workshop use.

### **WATER PUMPS**

Submersible, electric and engine driven for DIY, agriculture and industry.

### **POWER TOOLS**

Angle grinders, cordless drill sets, saws and sanders.

### **STARTERS/CHARGERS**

All sizes for car and commercial use.

## Guarantee

This product is guaranteed against faulty manufacture for a period of 12 months from the date of purchase. Please keep your receipt which will be required as proof of purchase.

This guarantee is invalid if the product is found to have been abused or tampered with in any way, or not used for the purpose for which it was intended. Faulty goods should be returned to their place of purchase, no product can be returned without prior permission.

This guarantee does not affect you statutory rights.

**PARTS & SERVICE: 020 8988 7400**

**E-mail: [Parts@clarkeinternational.com](mailto:Parts@clarkeinternational.com) or [Service@clarkeinternational.com](mailto:Service@clarkeinternational.com)**

**SALES: UK 01992 565333 or Export 00 44 (0)1992 565335**

**Clarke® INTERNATIONAL** Hemnall Street, Epping, Essex CM16 4LG  
[www.clarkeinternational.com](http://www.clarkeinternational.com)