



USER MANUAL



**9kw 400v
Fan Heater**

**Product Code:
B9IT**



Serial Number Range:

From:

To:

Year Of Manufacture:

***Please note, when ordering online via our website if the part number is not recognised, please Email spares@hscgroupuk.co.uk or Telephone 0115 946 1988**

KEEP THIS BOOKLET FOR FUTURE REFERENCE

Nottingham: 0115 946 1988 • London: 0208 830 3333 ✉ Nottingham: sales@hscgroupuk.co.uk • London: sean@hscgroupuk.co.uk 🌐 www.hscgroupuk.co.uk

The Hire Supply Company Terms & Conditions Apply At All Time E&OE






USER AND MAINTENANCE MANUAL

B 2IT - B 3,3IT - B 5IT - B 9IT - B 15IT - B 22IT


| en | it | de | es | fr | nl | pt | da | fi | no | sv | pl | ru | cs | hu | sl | tr | hr | lt |
| lv | et | ro | sk | bg | uk | bs | el | zh | kk |

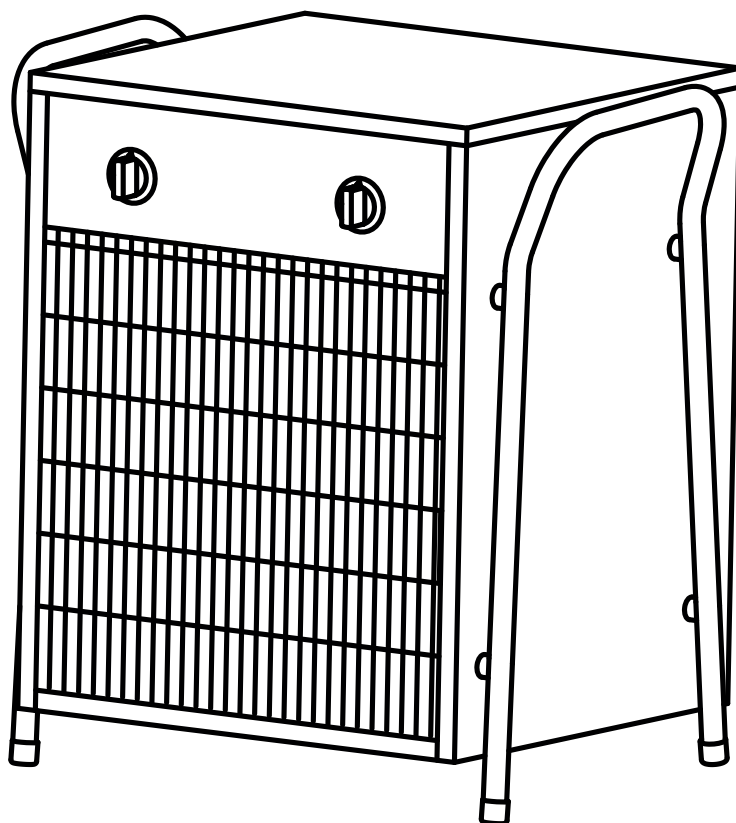
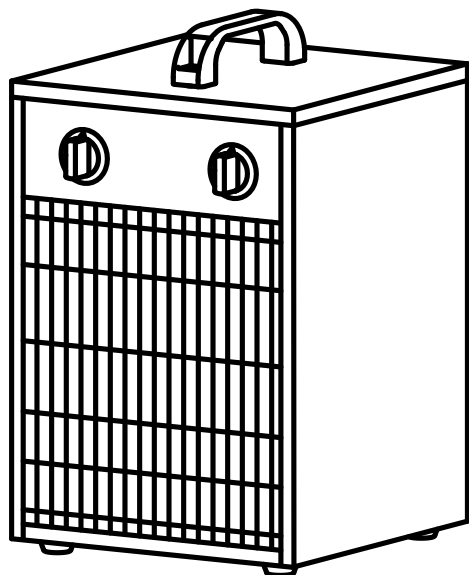
TECHNICAL DATA TABLE - TABELLA DATI TECNICI - TECHNISCHE DATENTABELLE - TABLA DE DATOS TÉCNICOS - TABLEAU DES DONNÉES TECHNIQUES - TABEL TECHNISCHE GEGEVENS - TABELA DE DADOS TÉCNICOS - TEKNISK DATATABEL - TEKNISTEN TIETOJEN TAULUKKO - TABELL FOR TEKNISKE DATA - TABELL MED TEKNISKA EGENSKAPER - TABELA DANYCH TECHNICZNYCH - ТАБЛИЦЕ ТЕХНИЧЕСКИХ ДАННЫХ - TABULKA TECHNICKÝCH ÚDAJŮ - MŰSZAKI ADATOK TÁBLÁZATÁN - TEHNIČNI PODATKI - TEKNİK VERİLER TABLOSUNDA - TABLICI S TEHNIČKIM PODACIMA - TECHNINIŲ DUOMENŲ LENTELĖJE - TEHNISKO DATU TABULA - TEHNILISTE ANDMETE TABEL - TABELUL CU DATE TEHNICE - TABUĽKA TECHNICKÝCH ÚDAJOV - ТАБЛИЦА ТЕХНИЧЕСКИ ДАННИ - ТАБЛИЦІ ТЕХНІЧНИХ ДАНИХ - TABELI SA TEHNIČKIM PODACIMA - ΠΙΝΑΚΙΔΑ ΤΩΝ ΤΕΧΝΙΚΩΝ ΣΤΟΙΧΕΙΩΝ - 技术参数 - ТЕХНИКАЛЫҚ КӨРСЕТКІШТЕР КЕСТЕСІ

	B 2IT	B 3,3IT	B 5IT	B 9IT	B 15IT	B 22IT
	2 kW-кВт 1.720 kcal/h-ккал/ч 6.820 Btu/h-БТЕ/ч	3,3 kW-кВт 2.866 kcal/h-ккал/ч 11.260 Btu/h-БТЕ/ч	5 kW-кВт 4.300 kcal/h-ккал/ч 17.060 Btu/h-БТЕ/ч	9 kW-кВт 7.740 kcal/h-ккал/ч 30.700 Btu/h-БТЕ/ч	15 kW-кВт 12.900 kcal/h-ккал/ч 51.180 Btu/h-БТЕ/ч	22 kW-кВт 18.900 kcal/h-ккал/ч 75.060 Btu/h-БТЕ/ч
	184 m³/h-м³/ч	288 m³/h-м³/ч	510 m³/h-м³/ч	800 m³/h-м³/ч	1.700 m³/h-м³/ч	2.400 m³/h-м³/ч
	~220-240 V-B 50-60 Hz-Гц 8,7 A	~220-240 V-B 50-60 Hz-Гц 14,5 A	3~380-400 V-B 50 Hz-Гц 7,2 A	3~380-400 V-B 50 Hz-Гц 13 A	3~380-400 V-B 50 Hz-Гц 22 A	3N~380-400 V-B 50-60 Hz-Гц 32 A
IP24						

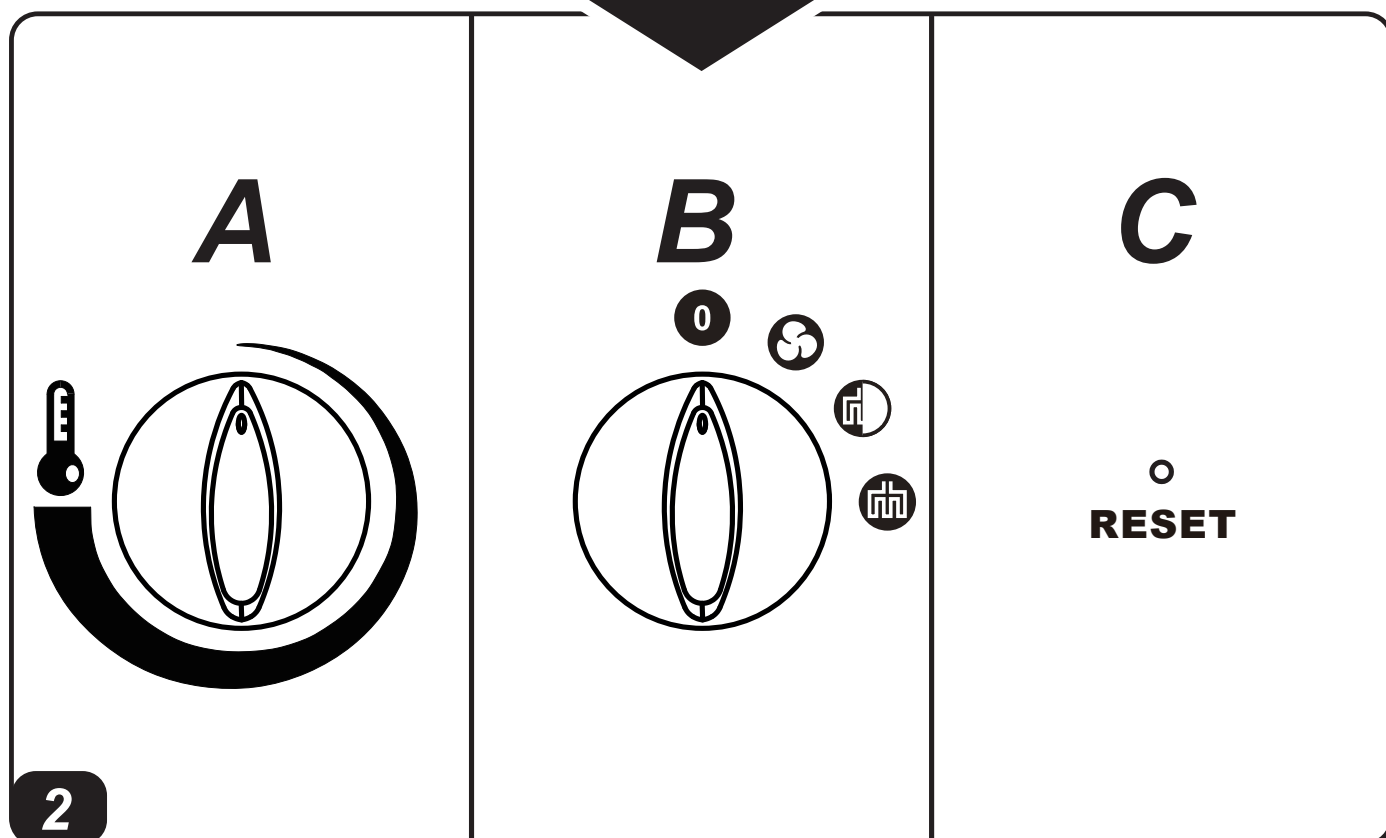
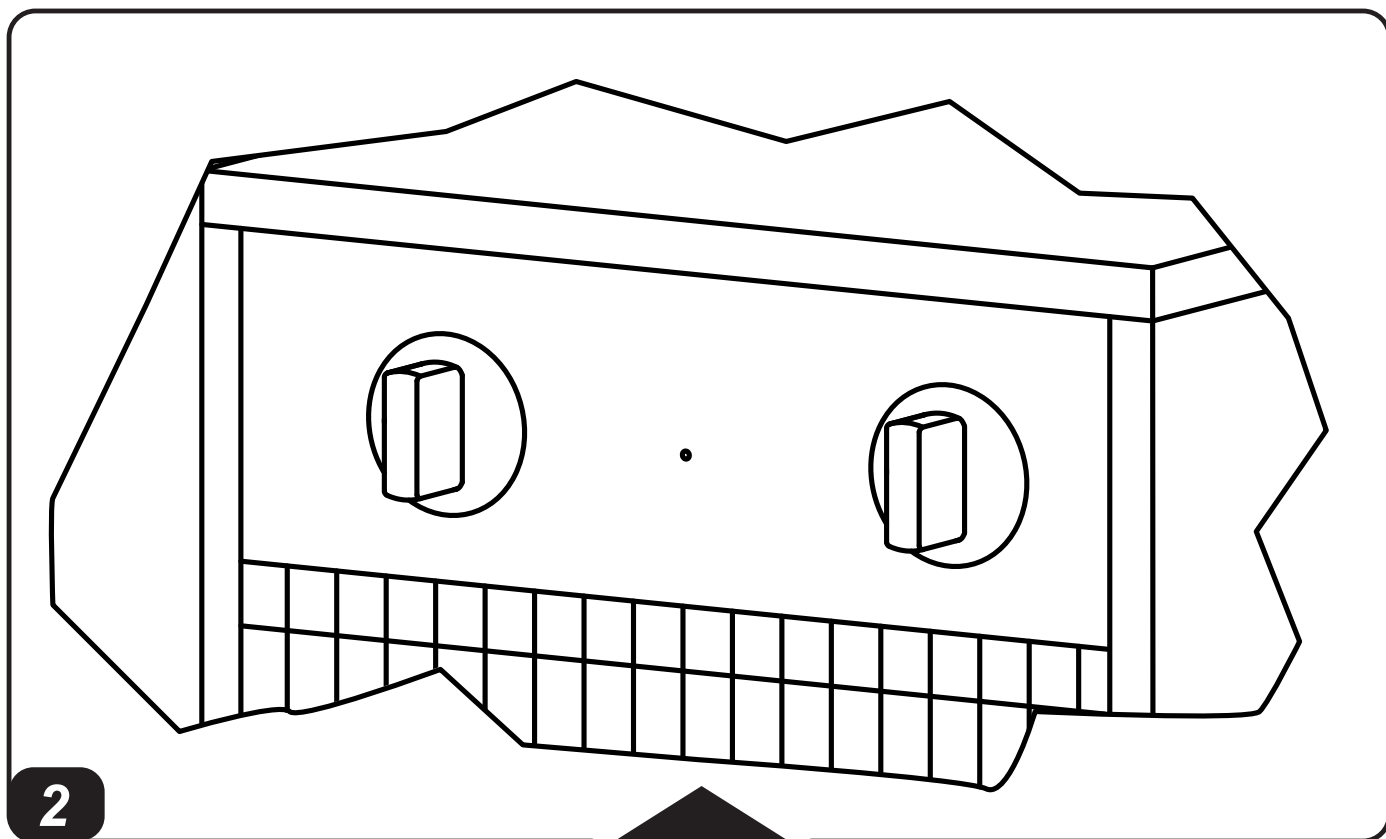
MODEL			B 2IT	B 3,3IT	B 5IT	B 9IT	B 15IT	B 22IT
	SYMBOL	UNIT						
HEAT OUTPUT								
Nominal heat output	P_{nom}	kW	2	3,3	5	9	15	22
Minimum heat output (indicative)	P_{min}	kW	1	1,65	2,5	4,5	7,5	11
Maximum continuous heat output	P_{max,c}	kW	2	3,3	5	9	15	22
AUXILIARY ELECTRICITY CONSUMPTION								
At nominal heat output	e_{lmax}	kW	N/A	N/A	N/A	N/A	N/A	N/A
At minimum heat output	e_{lmin}	kW	N/A	N/A	N/A	N/A	N/A	N/A
In standby mode	e_{ISB}	kW	N/A	N/A	N/A	N/A	N/A	N/A
TYPE OF HEAT INPUT, FOR ELECTRIC STORAGE LOCAL SPACE HEATERS ONLY (SELECT ONE)								
Manual heat charge control, with integrated thermostat			No					
Manual heat charge control with room and/or outdoor temperature feedback			No					
Electronic heat charge control with room and/or outdoor temperature feedback			No					
Fan assisted heat output			No					
TYPE OF HEAT OUTPUT/ROOM TEMPERATURE CONTROL (SELECT ONE)								
Single stage heat output and no room temperature control			No					
Two or more manual stages, no room temperature control			No					
With mechanic thermostat room temperature control			Yes					
With electronic room temperature control			No					
Electronic room temperature control plus day timer			No					
Electronic room temperature control plus week timer			No					
OTHER CONTROL OPTIONS (MULTIPLE SELECTIONS POSSIBLE)								
Room temperature control, with presence detection			No					
Room temperature control, with open window detection			No					
With distance control option			No					
With adaptive start control			No					
With working time limitation			No					
With black bulb sensor			No					
Contact Details (See the CE CONFORMITY CERTIFICATE)								


ATTENTION: This product is only suitable for well insulated spaces or occasional use. - ATTENZIONE: Il prodotto è destinato ad essere usato solo in spazi ben isolati o all'uso occasionale. - ACHTUNG: Dieses Produkt ist nur für gut isolierte Bereiche oder gelegentliche Verwendung geeignet. - ATENCIÓN: Este producto es apto solamente para espacios bien aislados o de uso ocasional. - ATTENTION: Ce produit convient uniquement pour les espaces bien isolés ou pour une utilisation occasionnelle. - LET OP: Dit is product is enkel aangewezen voor goed geïsoleerde ruimten of voor occasioneel gebruik. - ATENÇÃO: Este produto é adequado apenas para espaços bem isolados ou uso ocasional. - ADVARSEL: Dette produkt er kun egnet til velisolerede rum eller til lejlighedsvis brug. - HUOMIO: Tämä tuote soveltuu vain hyvin eristettyihin tiloihin tai satunnaiseen käyttöön. - VÆR OPPMERKSOM: Dette produktet er kun egnet for godt isolerte rom eller sporadisk bruk. - OBSERVERA: Denna produkt är endast lämplig för välisolerade utrymmen eller tillfällig användning. - UWAGA: ten produkt jest przeznaczony tylko do dobrze izolowanych pomieszczeń lub okazjonalnego zastosowania. - ВНИМАНИЕ: Данный продукт пригоден только для хорошо изолированных сред или для редкого применения. - POZOR: Tento produkt je vhodný pouze pro dobře izolované prostory nebo příležitostné použití. - FIGYELEM: A termék használatát csak jól szigetelt térben vagy csak alkalomszerűen megengedett. - POZOR: Ta izdelek ni primeren za dobro izolirane prostore ali občasno rabo. - DİKKAT: Bu ürün sadece iyi şekilde yalıtılmış alanlar veya ara sıra kullanım için uygundur. - UPOZORENJE: Ovaj proizvod je prikladan samo za dobro izolirane prostore ili povremenu uporabu. - DÉMESIO: šis produkts tinka tik gerai izoliuotoms vietoms arba tik atsitiktiniam naudojimui. - UZMANĪBU: Šis izstrādājums ir piemērots tikai labi izolētām telpām vai gadījuma lietošanai. - TÁHELEPANU: Toode sobib üksnes hästi isoleeritud ruumides või juhuslikuks kasutamiseks. - ATENȚIE: Acest produs este potrivit pentru spații bine izolate sau pentru uz ocazional. - POZOR: Tento produkt je vhodný iba pre dobre izolované priestory alebo príležitostné použitie. - ВНИМАНИЕ: Този продукт е подходящ за използване само в добре изолирани помещения или за спорадична употреба. - УВАГА: Цей продукт підходить тільки для добре утеплених приміщень або випадкового використання. - PAŽNJA: Ovaj proizvod je pogodan samo za dobro izolirane prostore ili povremenu upotrebu. - ΠΡΟΣΟΧΗ: Το προϊόν αυτό είναι κατάλληλο μόνο για καλά μονωμένους χώρους ή περιστασιακή χρήση. - 注意:本产品仅适用于隔热良好的空间或偶尔使用。 - НАЗАР АУДАРЫҢЫЗ: Бұл өнім тек жақсы оқшауланған орындарға немесе кездейсоқ қолданысқа арналған.

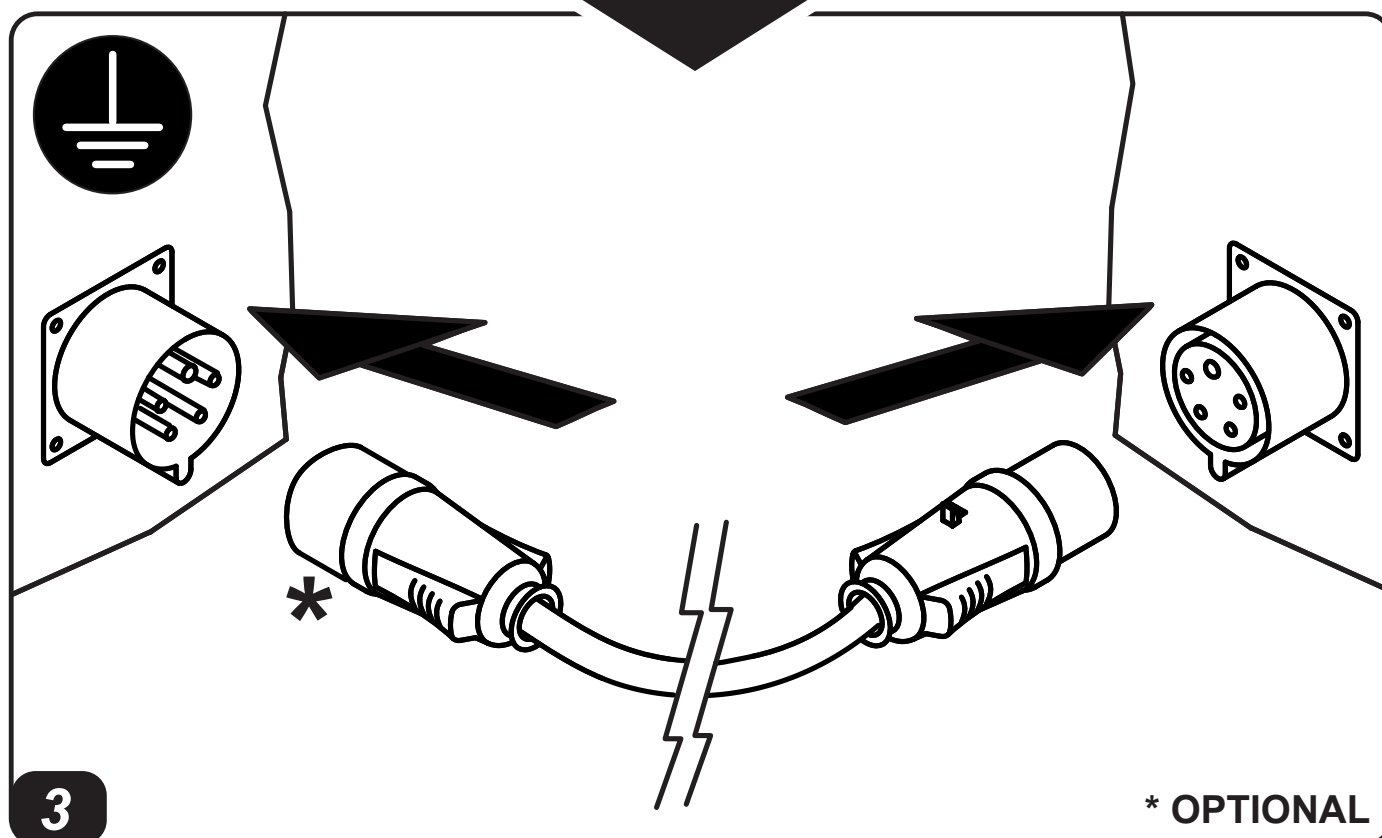
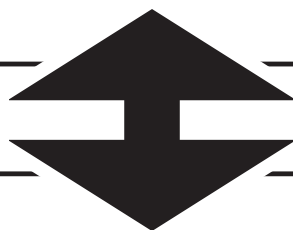
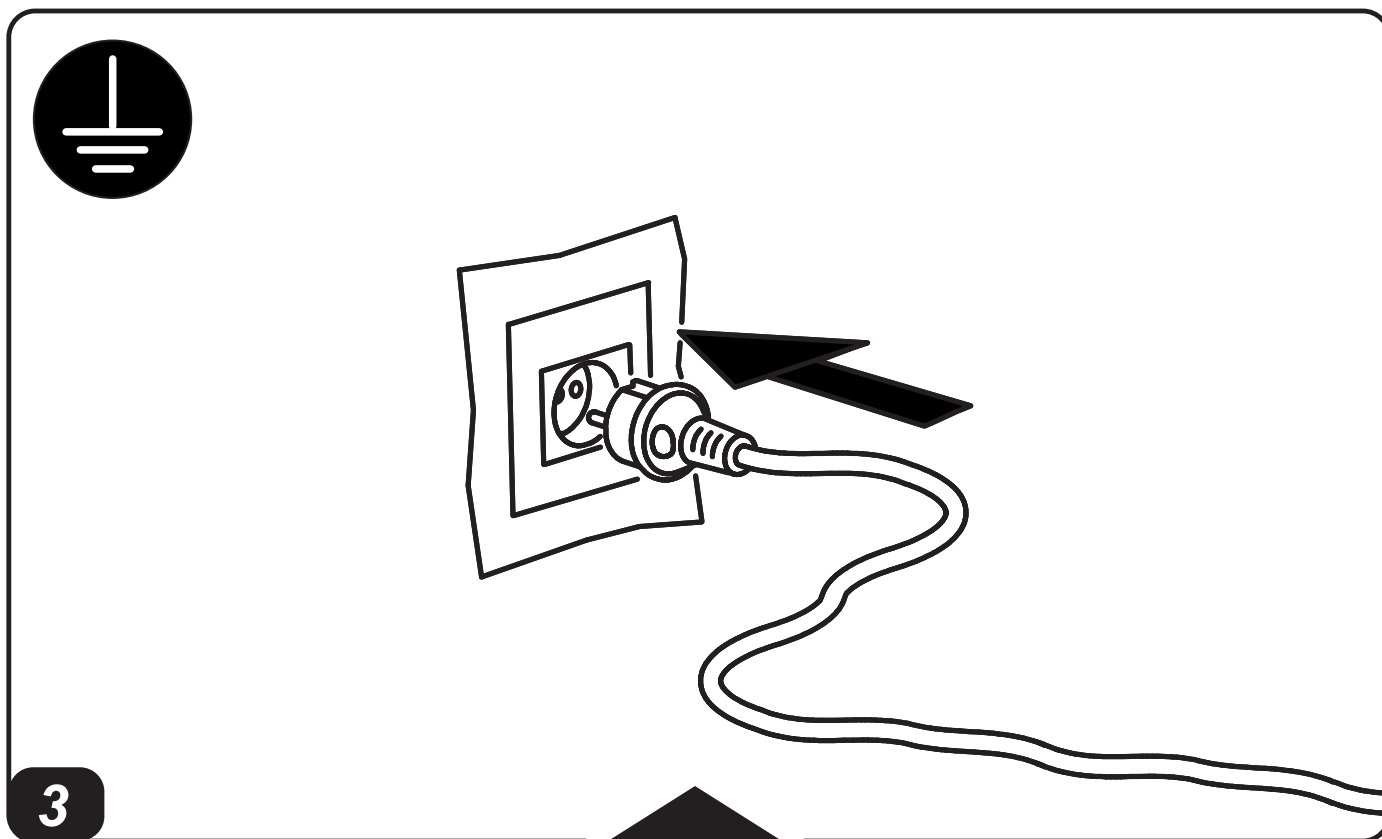
PICTURES - FIGURE - ABBILDUNGEN - FIGURAS - FIGURES - FIGUREN - FIGURAS - FIGURER - KUVAT - FIGURER - FIGUR - RYSUNKI - РИСУНКИ - OB-
RÁZKY - ÁBRÁK - SLIKE - ŞEKİLLER - SLIKE - PAVEIKSLĖLIAI - ATTĒLI - JO-
ONISED - IMAGINI - OBRÁZKY - ФИГУРА - МАЛЮНКИ - SLIKE - ΕΙΚΟΝΕΣ - 
- СУРЕТТЕР



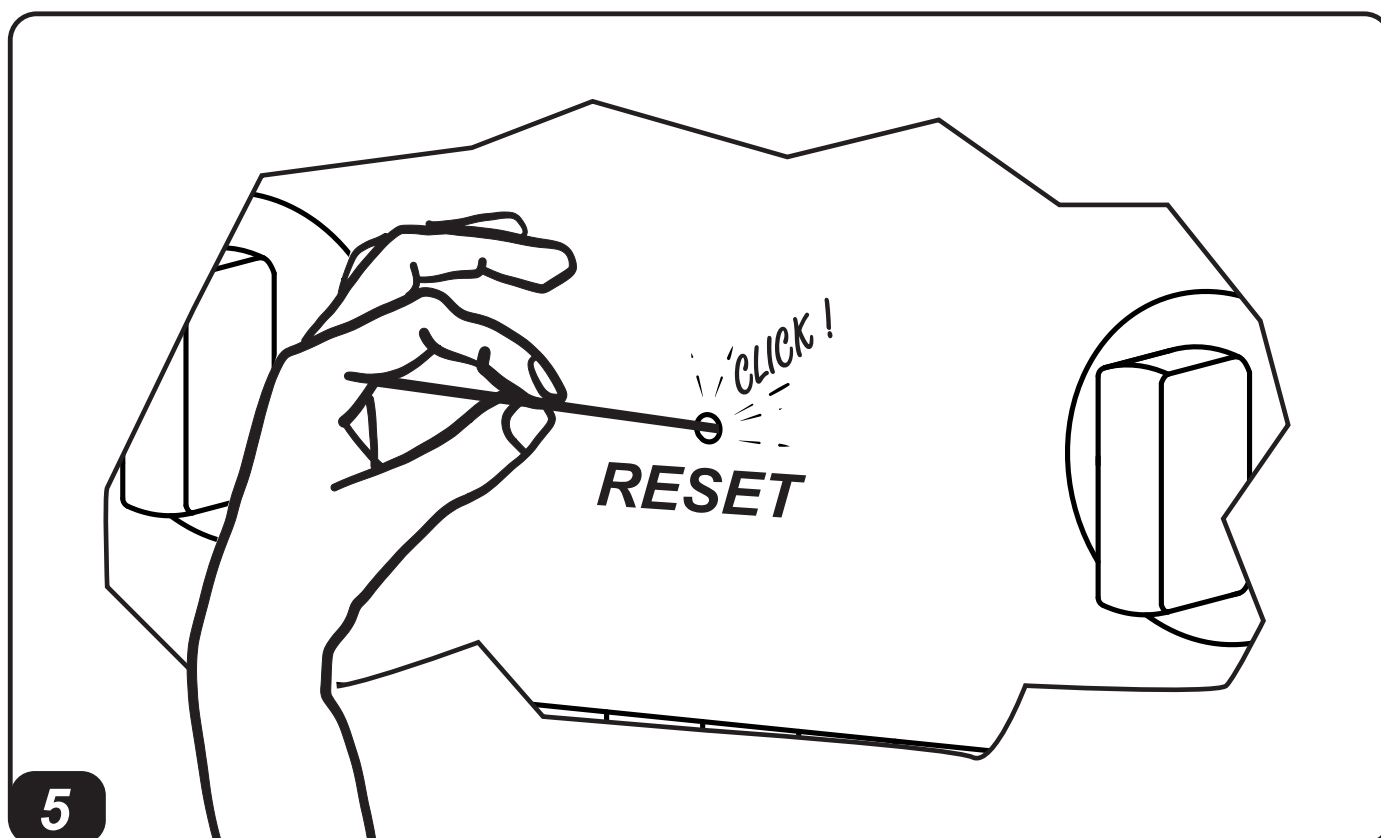
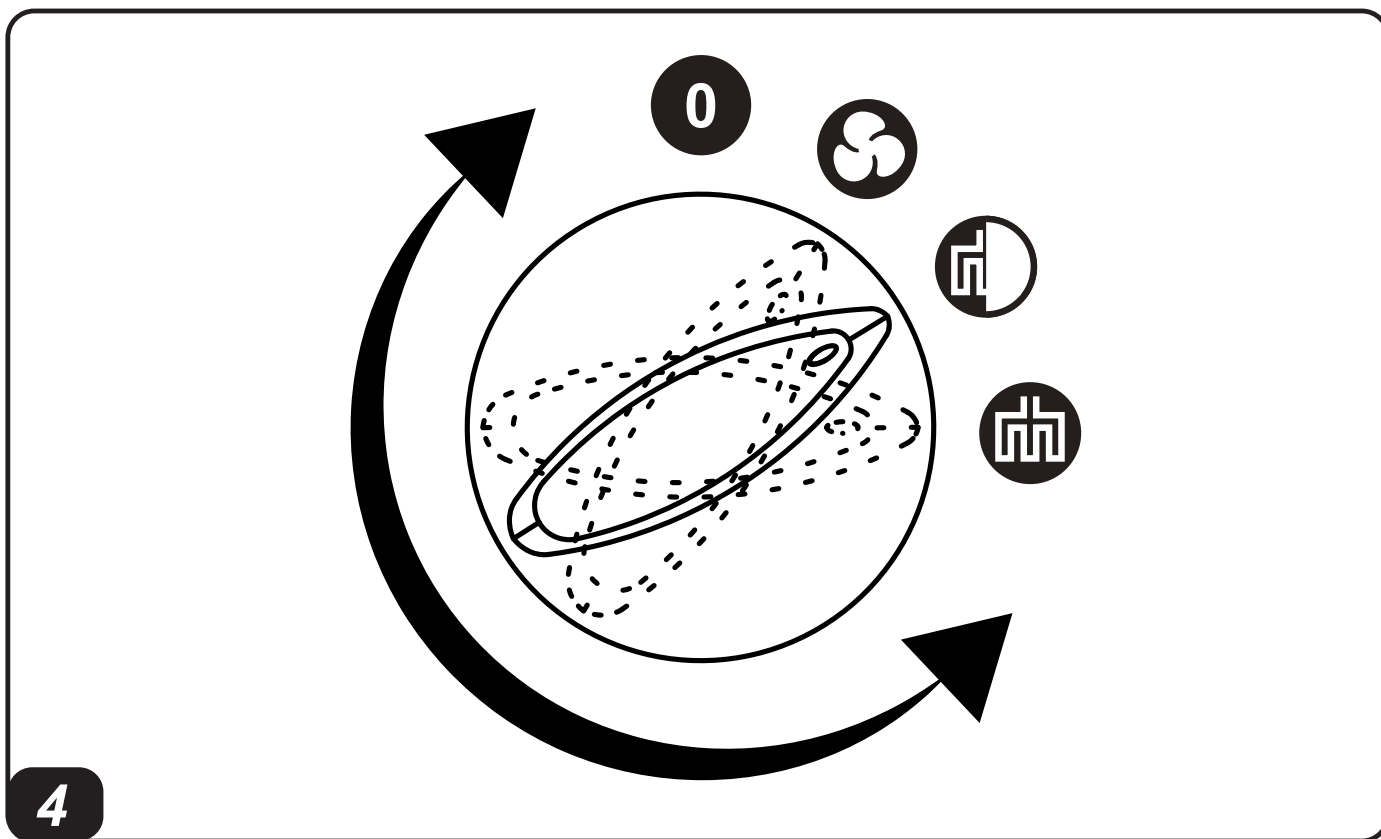
PICTURES - FIGURE - ABBILDUNGEN - FIGURAS - FIGURES - FIGUREN - FIGURAS - FIGURER - KUVAT - FIGURER - FIGUR - RYSUNKI - РИСУНКИ - OB-
RÁZKY - ÁBRÁK - SLIKE - ŞEKİLLER - SLIKE - PAVEIKSLĖLIAI - ATTĒLI - JO-
ONISED - IMAGINI - OBRÁZKY - ФИГУРА - МАЛЮНКИ - SLIKE - ΕΙΚΟΝΕΣ - 图
- СУРЕТТЕР




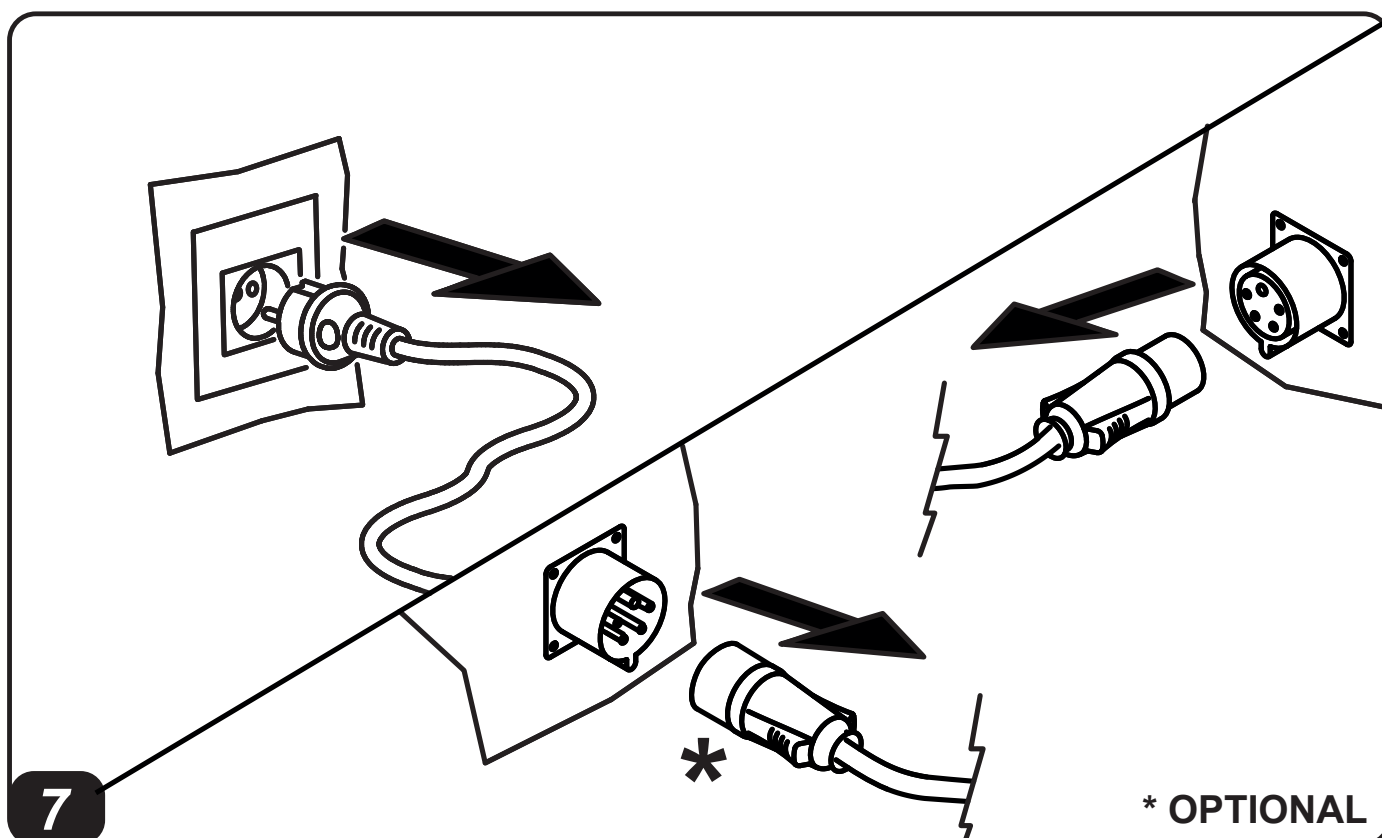
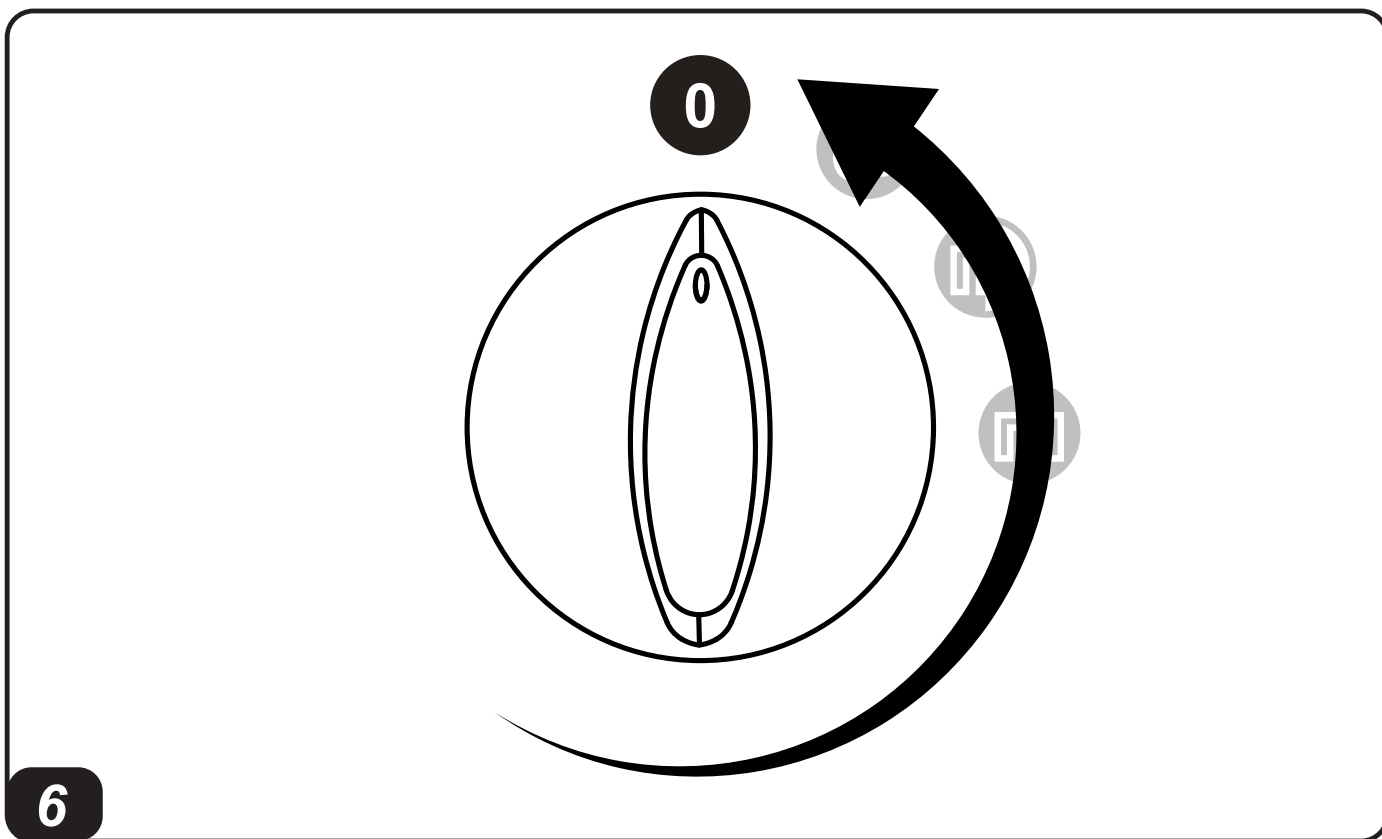
PICTURES - FIGURE - ABBILDUNGEN - FIGURAS - FIGURES - FIGUREN - FIGURAS - FIGURER - KUVAT - FIGURER - FIGUR - RYSUNKI - РИСУНКИ - OB-
RÁZKY - ÁBRÁK - SLIKE - ŞEKİLLER - SLIKE - PAVEIKSLĖLIAI - ATTĒLI - JO-
ONISED - IMAGINI - OBRÁZKY - ФИГУРА - МАЛЮНКИ - SLIKE - ΕΙΚΟΝΕΣ - 
- СУРЕТТЕР



PICTURES - FIGURE - ABBILDUNGEN - FIGURAS - FIGURES - FIGUREN - FIGURAS - FIGURER - KUVAT - FIGURER - FIGUR - RYSUNKI - РИСУНКИ - OB-
RÁZKY - ÁBRÁK - SLIKE - ŞEKİLLER - SLIKE - PAVEIKSLĖLIAI - ATTĒLI - JO-
ONISED - IMAGINI - OBRÁZKY - ФИГУРА - МАЛЮНКИ - SLIKE - ΕΙΚΟΝΕΣ - 图
- СУРЕТТЕР



PICTURES - FIGURE - ABBILDUNGEN - FIGURAS - FIGURES - FIGUREN - FIGURAS - FIGURER - KUVAT - FIGURER - FIGUR - RYSUNKI - РИСУНКИ - OB-RÁZKY - ÁBRÁK - SLIKE - ŞEKİLLER - SLIKE - PAVEIKSLĖLIAI - ATTĒLI - JO-ONISED - IMAGINI - OBRÁZKY - ФИГУРА - МАЛЮНКИ - SLIKE - ΕΙΚΟΝΕΣ -  - СУРЕТТЕР



IMPORTANT: READ AND UNDERSTAND THIS OPERATIONAL MANUAL PRIOR TO ASSEMBLING, STARTING UP OR CONDUCTING MAINTENANCE ON THIS HEATER. USING THE HEATER INCORRECTLY CAN CAUSE SERIOUS OR FATAL INJURIES. KEEP THIS MANUAL FOR FURTHER REFERENCE.

►► 1. DESCRIPTION

(Pic. 1)

This series of warm air heaters is particularly suited to heating closed areas, such as warehouses, shops and homes. These heaters comply with the current European directive.

►► 2. SAFETY INFORMATION

IMPORTANT: This heater is not suitable for use by persons (including children) with reduced physical, sensory or mental capacities or with lack of experience or knowledge unless supervised by a person responsible for their safety. Children must be supervised to make sure they do not play with the heater.

IMPORTANT: In order to prevent any risk, even if power supply mains disconnection is foreseen, all cleaning, maintenance and repair operations requiring access to dangerous parts (e.g. replacing the damaged power supply cable), must be carried out by the manufacturer, its technical support centre, a person with similar qualification.

IMPORTANT: Comply with all local legislation and current regulations when using the heater.

- 1.1. Heaters used near tarpaulins, curtains or other similar covering materials must be a safe distance from them. It is advised to use fire-proof covering material.
- 1.2. Keep the heater a safe distance from humidity, water and atmospheric agents to prevent serious damage to the heater.
- 1.3. Keep the hot parts of the heater a suitable distance from inflammable or thermolabile materials (including the power supply cable).
- 1.4. Never move, handle or conduct maintenance on the heater when it is hot, connected to the mains or in operation.
- 1.5. Avoid fire hazards by placing the hot or functioning heater on a steady level surface.
- 1.6. Keep animals at a safe distance from the heater.
- 1.7. Power on the heater only with a current which has the voltage and frequency values specified on the heater's identification plate.
- 1.8. Make sure the heater is only connected to suitable mains with a differential switch and suitable earthing.
- 1.9. If the power supply cable is damaged, it must be replaced by the support centre to prevent any risk.
- 1.10. Disconnect the heater from the mains power supply when not in use.
- 1.11. Always disconnect the heater from the mains if temporarily left in unsafe conditions and make sure it cannot be used.
- 1.12. Never block, not even partially, the heater's air vent or the air outlet.
- 1.13. Avoid any kind of ducting, either at the air inlet or outlet.
- 1.14. Do not cover the heater while in operation, it might overheat.

- 1.15. Ask the support centre to check that the heater is working properly at least once a year and/or as required.

THE MANUFACTURER DECLINES ANY LIABILITY FOR DAMAGE/INJURIES TO PROPERTY/PERSONS DERIVING FROM IMPROPER USE OF THE HEATER.

ONLY SPECIALISED PERSONNEL AUTHORISED BY THE MANUFACTURER CAN PERFORM WORK ON THE HEATER.

►► 3. UNPACKING

WARNING: The packaging material is not a toy. Keep the plastic bag out of the reach of children; danger of suffocation!

- 2.1. Remove all packaging material used to deliver the heater and dispose of it in compliance with current standards.
- 2.2. Remove all items from the packaging.
- 2.3. Check for any damage incurred during transport. If the heater appears damaged, immediately inform the dealer from whom it was purchased.

►► 4. ASSEMBLY

These heaters are equipped with handles, supports, etc. depending on the model. These parts, which come with the relative nuts and bolts, are in the heater's packaging. In any case, many heater models are already assembled by the manufacturer and are therefore ready to use.

If the heater is not equipped with a power supply cable, **ELECTRICAL CABLES MUST BE USED WITH COMPONENTS IN ACCORDANCE WITH LOCAL AND/OR NATIONAL ELECTRICAL DIRECTIVES. THE MANUFACTURER DECLINES ANY LIABILITY FOR DAMAGE/INJURIES TO THE HEATER AND/OR PERSONS DERIVING FROM INCORRECT CONNECTION OF THE POWER SUPPLY CABLE.**

►► 5. CONTROL PANEL

(Pic. 2)

- A. Room thermostat knob;
- B. Power selector;
- C. "RESET" button (if present).

►► 6. OPERATION

WARNING: You are required to read, understand and follow the "INFORMATION ON SAFETY" before starting the heater in order to use it correctly and avoid risks.

WARNING: Make sure the power supply cable is intact and that the features of the mains power supply match the ones on the heater's technical data plate.

WARNING: Never use the heater without first assembling all the components correctly (where applicable) and making sure the heater is positioned on a perfectly flat, stable and level surface.

▶▶ 6.1. SWITCH-ON:

▶ 6.1.1. Connect the heater to the mains (Pic. 3).

▶ 6.1.2. Turn the power selector to the desired mode (Pic. 4).

Here are the available settings:

•• By setting the power selector to "VENTILATION" the heater will only operate in ventilation mode.

•• By setting the power selector to "I" the heater will operate at heating power 1.

•• By setting the power selector to "II" the heater will operate at heating power 2.

CAUTION: A SERIES OF SENSORS CHECK THAT THE HEATER IS OPERATING CORRECTLY AND STOPS THE APPLIANCE IN THE EVENT OF A SERIOUS FAULT. RESETTING IS NOT AUTOMATIC, IT MUST BE PERFORMED MANUALLY AFTER THE HEATER HAS COOLED DOWN COMPLETELY. ELIMINATE THE POSSIBLE CAUSE OF THE HEATER BLOCK (ES. OBSTRUCTED AN AIR VENT, IMPAIRED THE AIR SUPPLY, ETC.) AND GENTLY PRESS THE "RESET" BUTTON (Pic. 5) (if present). IF, AFTER A FEW ATTEMPTS TO RESUME OPERATION, THE HEATER DOES NOT WORK, CONTACT THE SUPPORT CENTRE.

▶▶ 6.2. SWITCH-OFF:

▶ 6.2.1. Set the power selector to "0/OFF" (Pic. 6) and leave the fan working until it comes to a complete stop.

▶ 6.2.2. Disconnect the heater from the mains (Pic. 7).

CAUTION: FOR PROPER SWITCH-OFF, DO NOT DISCONNECT THE HEATER FROM THE MAINS BEFORE THE FAN HAS COMPLETELY STOPPED MOVING.

INCORRECT SWITCH-OFF MAY BLOCK THE PRODUCT. TO UNLOCK THE HEART, GENTLY PRESS THE "RESET" BUTTON (Pic. 5) (if present).

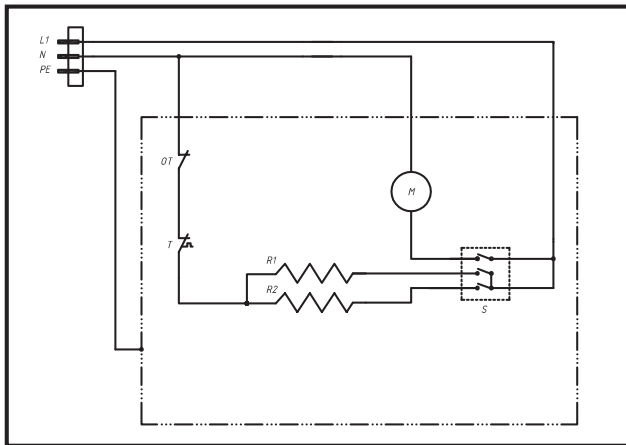
▶▶ 7. STORAGE

Always disconnect the heater from the mains (Pic. 7), when not in use and wait a few minutes for it to cool down completely before putting it away. Put it back in a dry place and protected from dust. When the heater is used again, check the condition of the power supply cable (where present); If in doubt regarding its state, contact the support centre. In any case, have the support centre check that the heater is working properly at least once a year and/or as required.

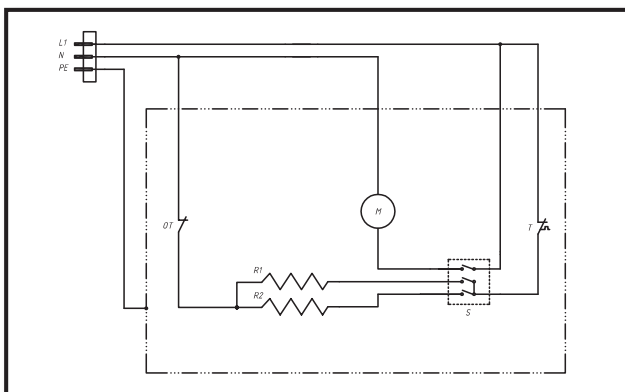
▶▶ 8. TROUBLESHOOTING

PROBLEM	POSSIBLE CAUSE	POSSIBLE SOLUTION
The heater doesn't work	<ol style="list-style-type: none"> 1. Power selector set to "0/OFF" 2. Incorrect setting of the room thermostat 3. No power supply 4. Blocked heater 	<ol style="list-style-type: none"> 1. Turn the power selector to the desired mode 2. Make sure the temperature set on the room thermostat is higher than the outdoor temperature 3a. Insert the power supply cable correctly 3b. Make sure your mains power supply is working correctly 3c. Contact the support centre 4a. Turn the heater back on by pressing the "RESET" button 4b. Contact the support centre
The motor doesn't work	<ol style="list-style-type: none"> 1. Faulty motor 2. Blocked fan 	<ol style="list-style-type: none"> 1. Contact the support centre 2a. Remove any obstructions 2b. Contact the support centre
The heater doesn't heat	<ol style="list-style-type: none"> 1. Power selector set to "VENTILATION" 2. Faulty internal appliance 	<ol style="list-style-type: none"> 1. Turn the power selector to the desired heating power 2. Contact the support centre
Reduced airflow	<ol style="list-style-type: none"> 1. Obstructed air vent 2. Faulty motor 	<ol style="list-style-type: none"> 1a. Remove any obstructions 1b. Contact the support centre 2. Contact the support centre

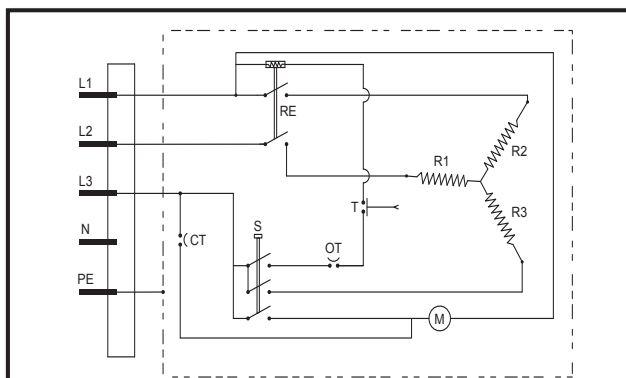
**ELECTRIC SYSTEM - IMPIANTO ELETTRICO - ELEKTRISCHE ANLAGE
 - INSTALACIÓN ELÉCTRICA - INSTALLATION ELECTRIQUE - ELEKTRISCH
 E INSTALLATIE - SISTEMA ELÉTRICO - EL-ANLÆG - SÄHKÖLAITTEISTO -
 ELEKTRISK ANLEGG - ELANORDNING - INSTALACJA ELEKTRYCZNA -
 ЭЛЕКТРОПРОВОДКА - ELEKTRICKÉ ZAŘÍZENÍ - ELEKTROMOS RENDSZER -
 ELEKTRIČNA NAPELJAVA - ELEKTRİK TESİSATI - ELEKTRIČNI UREĐAJ -
 ELEKTROS SISTEMA - ELEKTRISKĀ SISTĒMA - ELEKTRISŪSTEEM -
 INSTALAȚIA ELECTRICĂ - ELEKTRICKÉ ZARIADENIE - ЭЛЕКТРИЧЕСКА
 ИНСТАЛАЦИЯ - ЕЛЕКТРИЧНЕ ОБЛАДНАННЯ - ELEKTRIČNI UREĐAJ -
 ΗΛΕΚΤΡΙΚΗ ΕΓΚΑΤΑΣΤΑΣΗ - 电路系统 - ΗΛΕΚΤΡΙΚΗ ΕΓΚΑΤΑΣΤΑΣΗ**



Model ... 2 ...



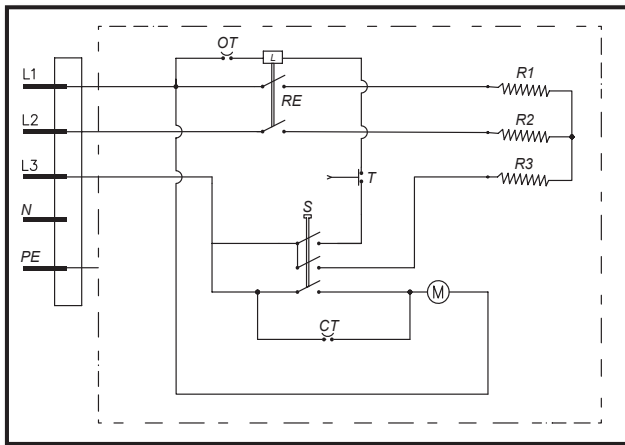
Model ... 3,3 ...



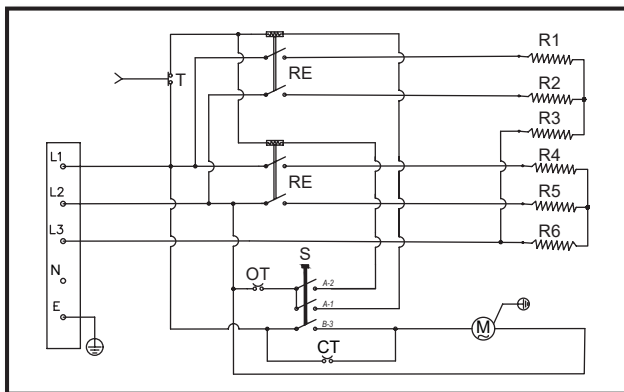
Model ... 5 ...

- S** – Rotary Switch
- M** – Motor
- C** – Capacitor
- OT** – Overheat Thermostat
- CT** – Cooling Thermostat
- T** – Adjustable Room Thermostat
- RE** – Relay
- L** – Coil Of Relay
- R1...6** – Heating Elements

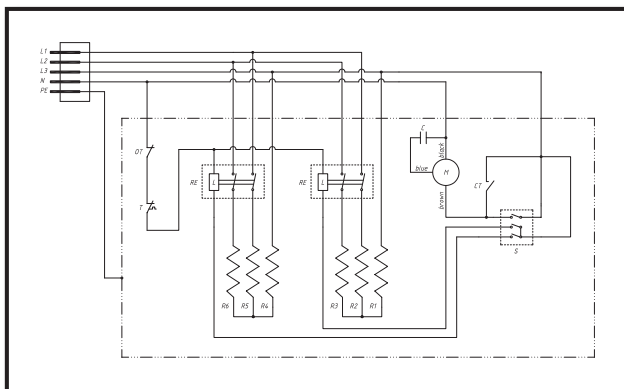
**ELECTRIC SYSTEM - IMPIANTO ELETTRICO - ELEKTRISCHE ANLAGE
- INSTALACIÓN ELÉCTRICA - INSTALLATION ELECTRIQUE - ELEKTRISCH
EINRICHTUNG - SYSTEMA ELEKTRICHO - EL-ANLÆG - SÄHKÖLAITTEISTO
- ELEKTRISK ANLEGG - ELANORDNING - INSTALACJA ELEKTRYCZNA -
ЭЛЕКТРОПРОВОДКА - ELEKTRICKÉ ZAŘÍZENÍ - ELEKTROMOS RENDSZER -
ELEKTRIČNA NAPELJAVA - ELEKTRİK TESİSATI - ELEKTRIČNI UREĐAJ -
ELEKTROS SISTEMA - ELEKTRISKÄ SYSTEMA - ELEKTRISÜSTEEM -
INSTALAȚIA ELECTRICĂ - ELEKTRICKÉ ZARIADENIE - ЭЛЕКТРИЧЕСКА
ИНСТАЛАЦИЯ - ЕЛЕКТРИЧНЕ ОБЛАДНАННЯ - ELEKTRIČNI UREĐAJ -
ΗΛΕΚΤΡΙΚΗ ΕΓΚΑΤΑΣΤΑΣΗ - 电路系统 - ΗΛΕΚΤΡΙΚΗ ΕΓΚΑΤΑΣΤΑΣΗ**



Model ... 9 ...



Model ... 15 ...



Model ... 22 ...

- S** – Rotary Switch
- M** – Motor
- C** – Capacitor
- OT** – Overheat Thermostat
- CT** – Cooling Thermostat
- T** – Adjustable Room Thermostat
- RE** – Relay
- L** – Coil Of Relay
- R1...6** – Heating Elements

CE CONFORMITY CERTIFICATE



CE CONFORMITY CERTIFICATE - DICHIARAZIONE DI CONFORMITÀ CE - EG-KONFORMITÄT-SERKLÄRUNG - DECLARACIÓN DE CONFORMIDAD CE - DECLARATION DE CONFORMITE CE - EG-CONFORMITEITVERKLARING - DECLARAÇÃO DE CONFORMIDADE CE - EU-OVERENSSTEMMELSESERKLÆRING - EY-VAATIMUSTENMUKAISUUSVAKUUTUS - CE-SAMSVAR-SERKLÆRING - EG-FÖRSÄKRAN OM ÖVERENSSTÄMMELSE - DEKLARACJA ZGODNOŚCI WE - ДЕКЛАРАЦИЯ О СООТВЕТСТВИИ CE - PROHLÁŠENÍ O SHODĚ CE - EK MEGFELELŐSÉGI NYILATKOZAT - IZJAVA O SKLADNOSTI IN OZNAKA CE - CE UYGUNLUK BEYANI - IZJAVA CE O SUKLADNOSTI - ES ATIKTIKTES DEKLARACIJA - EK ATBILSTĪBAS - DEKLARĀCIJA - EÜ VASTAVUSDEKLARATSIOON - DECLARAȚIE DE CONFORMITATE CE - PREHLÁSENIE O ZHODE CE - ДЕКЛАРАЦИЯ ЗА СЪВМЕСТИМОСТ CE - ДЕКЛАРАЦИЯ ВІДПОВІДНОСТІ CE - IZJAVA CE O PRIKLADNOSTI ΔΗΛΩΣΗ ΣΥΜΜΟΡΦΩΣΗΣ CE - CE 符合性声明

DANTHERM S.p.A. Via Gardesana 11, -37010- Pastrengo (VR), ITALY

Product: - Prodotto: - Produkt: - Producto: - Produit: - Product: - Produto: - Produkt: - Tuote: - Produkt: - Produkt: - Produkt: - Изделие: - Výrobek: - Termék: - Izdelek: - Ürün: - Proizvod: - Gaminys: - Ierīce: - Toode: - Produsul: - Výrobok: - Продукт: - Виріб: - Proizvod: - Προϊόν: - 产品:

**B 2IT - B 3,3IT - B 5IT
B 9IT - B 15IT - B 22IT**

We declare that it is compliant with: - Si dichiara che è conforme a: - Es wird als konform mit den folgenden Normen erklärt: - Se declara que está en conformidad con: - Nous déclarons sa conformité à: - Hierbij wordt verklaard dat het product conform is met: - Declara-se que está em conformidade com: - Vi erklærer at produktet er i overensstemmelse med: - Vakuutetaan olevan yhdenmukainen: - Man erklærer at apparatet er i overensstemmelse med: - Härmed intygas det att produkten är förenlig med följande: - Oświadczam, że jest zgodny z: - Заявляем о соответствии требованиям: - Prohlašuje se, že je v souladu s: - Kijelentjük, hogy a termék megfelel az alábbiaknak: - Izpolnjuje zahteve: - Aşağıdaki standartlara uygun olduğunu beyan ederiz: - Izjavljuje se da je u skladu s: - Pareiškiame, kad atitinka: - Tiek deklarēts, ka atbilst: - Kāesolevaga deklareeritakse, et toode vastab: - Declarăm că este conform următoarelor: - Prehlasuje sa, že je v súlade s: - Декларира се че отговаря на: - Відповідає вимогам: - Izjavljuje se da je u skladu s: - Δηλώνουμε ότι είναι σύμφωνο με: - 兹证明符合:

2014/30/EU, 2014/35/EU, 2009/125/EC

EN 62233:2008, EN 61000-3-2:2014, EN 61000-3-3:2013, EN 55014-1:2006/A2:2011, EN 55014-2:2015, EN 60335-2-30:2009/A11:2012, (EU) N° 1188/2015

Pastrengo, 2023

Stefano Verani (Member of the Board)

► en - DISPOSAL OF THE PRODUCT

-This product has been designed and manufactured with top-quality materials and components, which can be re-cycled and re-used. When a crossed-wheely bin symbol is attached to the product, it means that the product is protected by the, 2012/19/UE European Directive.

-Please obtain information regarding the local differentiated collection system for electrical and electronic products.

-Respect local Standards in force and do not dispose of old products as normal domestic waste. Correct disposal of the product helps to prevent possible negative consequences for health, the environment and mankind.

► it - SMALTIMENTO DEL PRODOTTO

-Questo prodotto è stato progettato e fabbricato con materiali e componenti di alta qualità, che possono essere riciclati e riutilizzati.

-Quando ad un prodotto è attaccato il simbolo del bidone con le ruote segnato da una croce, significa che il prodotto è tutelato dalla Direttiva Europea 2012/19/UE.

-Si prega di informarsi in merito al sistema locale di raccolta differenziata per i prodotti elettrici ed elettronici.

-Rispettare le norme locali in vigore e non smaltire i prodotti vecchi nei normali rifiuti domestici. Il corretto smaltimento del prodotto aiuta ad evitare possibili conseguenze negative per la salute dell'ambiente e dell'uomo.

► de - ENTSORGUNG DES PRODUKTS

-Dieses Produkt wurde unter Verwendung von Qualitätsmaterialien und -bauteilen entwickelt und hergestellt, die recycelt und wieder verwendet werden können.

-Ist ein Produkt gekennzeichnet durch die Mülltonne mit Rädern und einem Kreuz, wird hier angezeigt, dass dieses Produkt durch die europäische Richtlinie 2012/19/UE überwacht ist.

-Es wird gebeten, sich über die vor Ort bestehende Mülltrennung bezüglich elektrischer und elektronischer Produkte zu informieren.

-Die vor Ort geltenden Vorschriften zur Müllentsorgung müssen eingehalten werden und alte Produkte dürfen nicht zusammen mit dem Hausmüll entsorgt werden. Die ordnungsgemäße Entsorgung des Produkts hilft mögliche negative Folgen für Gesundheit und Umwelt zu vermeiden.

► es - ELIMINACIÓN DEL PRODUCTO

-Este producto ha sido diseñado y fabricado con materiales y componentes de alta calidad que se pueden reciclar y reutilizar.

-Cuando en el producto se encuentra el símbolo del contenedor con las ruedas tachado con una cruz, significa que el producto está tutelado por la Directiva europea 2012/19/UE.

-Se ruega informarse acerca del sistema local de recogida selectiva para los productos eléctricos y electrónicos.

-Respete las normas locales vigentes y no elimine los productos viejos junto con los residuos domésticos normales. La eliminación correcta del producto ayuda a evitar posibles consecuencias negativas para la salud del ambiente y del hombre.

► fr - SE DÉBARRASSER DE VOTRE PRODUIT USAGÉ

-Ce produit a été conçu et fabriqué avec des matériaux et des composants de haute qualité, qui peuvent être recyclés et utilisés de nouveau.

-Lorsque le symbole d'une poubelle à roue barrée est appliqué à un produit, cela signifie que le produit est couvert par la Directive Européenne 2012/19/UE.

-Veuillez vous informer du système local de séparation des déchets électriques et électroniques.

-Veuillez agir selon les règles locale set ne pas jeter vos produits usagés avec les déchets domestiques usuels. Jeter correctement votre produit usagé aidera à prévenir les conséquences négatives potentielles contre l'environnement et la santé humaine.

► nl - VERWIJDERING VAN HET PRODUCT

-Dit product werd ontworpen en gemaakt met hoogwaardige materialen en componenten, die gerecycleerd en herbruikt kunnen worden.

-Wanneer op een product het symbool van de afvalbak op wielen met een kruis erdoor is aangebracht, betekent dit dat het product valt onder de Europese Richtlijn 2012/19/UE.

-Gelieve inlichtingen in te winnen betreffende het plaatselijke systeem voor gedifferentieerde inzameling van elektrische en elektronische toestellen.

-Respecteer de plaatselijke normen die van kracht zijn, en verwijder de oude toestellen niet als gewoon huishoudelijk afval. Een correcte verwijdering van het product helpt om mogelijke negatieve gevolgen voor de gezondheid van mens en milieu te voorkomen.

► pt - ELIMINAÇÃO DO PRODUTO

-Este produto foi projetado e fabricado com materiais e componentes de alta qualidade que podem ser reciclados e reutilizados.

-Quando for afixado em um produto o símbolo do bidão com rodas marcado com uma cruz, significa que o produto é protegido pela Diretiva Europeia 2012/19/UE.

-Solicitamos informar-se sobre o sistema local de recolha diferenciada para os produtos elétricos e eletrónicos.

-Respeitar as normas locais em vigor e não eliminar os produtos antigos como normais detritos domésticos. A correta eliminação do produto ajuda a evitar possíveis consequências negativas para a saúde do ambiente e do homem.

► da - BORTSKAFFELSE

- Dette produkt er designet og fremstillet med materialer og dele af høj kvalitet, der kan genanvendes.
- Når et produkt er mærket med symbolet, der viser en affaldsspand på hjul med et kryds over, betyder det, at produktet er beskyttet af EF-Direktiv 2012/19/UE.
- Der henstilles til, at man informerer sig angående det lokale affaldssorteringssystem for elektriske og elektroniske produkter.
- De gældende lokale regler skal overholdes, og de gamle produkter må ikke bortskaffes sammen med husholdningsaffaldet. Ved at bortskaffe dette produkt korrekt, medvirker De til at forhindre eventuelle negative påvirkninger af miljøet og folkesundheden.

► fi - TUOTTEEN HÄVITTÄMINEN

- Tämä tuote on suunniteltu ja valmistettu korkealaatuisia materiaaleja ja osia käyttämällä, jotka voidaan kierrättää ja käyttää uudelleen.
- Kun tuotteeseen on kiinnitetty viivattu roskasäiliön merkki, se tarkoittaa, että tuotetta suojaa Euroopan yhteisön direktiivi 2012/19/UE.
- Hanki tietoja paikallisesta sähkö- ja elektroniikkaromujen erilliskeräyksestä.
- Noudata voimassa oleva määräyksiä äläkä hävitä vanhoja tuotteita kotitalousjätteiden mukana. Tuotteen oikea hävittäminen auttaa suojelemaan luontoa ja välttää väärän romutuksen aiheuttamien terveysriskien syntymistä.

► no - AVFALLSHÅNTERING

- Dette produktet er utformet og produsert med materialer og deler av høy kvalitet, og som kan gjenvinnes.
- Når det på et produkt finnes et symbol som forestiller en avfallsbeholder med et kryss over, betyr dette at produktet er underlagt EU-direktiv 2012/19/UE.
- Vennligst informer dere angående de lokale reglene som gjelder kassering av elektrisk og elektronisk avfall.
- Ta hensyn til gjeldende regelverk og ikke kast gamle produkter sammen med husholdningsavfall. Riktig avfallshåndtering av produktet bidrar til å unngå potensielle negative konsekvenser for miljøet og menneskenes helse.

► sv - PRODUKTENS BORTSKAFFANDE

- Den här produkten har projekterats och tillverkats med material och komponenter av hög kvalitet som kan återvinnas och återanvändas.
- När ett klistermärke med en symbol med överkorsad soptunna med hjul sitter på produkten, betyder detta att produkten är skyddad av Eu-direktiv 2012/19/UE.
- Vi ber er inhämta upplysningar vid er lokala återvinningsstation för elektriska och elektroniska produkter.
- Följ lokala gällande bestämmelser och skaffa inte bort förbrukade produkter i det vanliga hushållsavfallet. Ett korrekt bortskaffande av produkten hjälper till att undvika möjliga negativa effekter på miljö- och människohälsa.

► pl - UTYLIZACJA PRODUKTU

- Niniejszy produkt został wyprodukowany z najwyższej jakości materiałów, które mogą być poddane recyklingowi i zostać ponownie użyte.
- Symbol przekreślonego kosza na śmieci umieszczony na sprzęcie, opakowaniu lub dokumentach do niego dołączonych oznacza, że produkt nie wolno wyrzucać łącznie z innymi odpadami. Obowiązkiem użytkownika jest przekazanie zużytego sprzętu do wyznaczonego punktu zbiórki w celu właściwego jego przetworzenia. Oznakowanie oznacza jednocześnie, że sprzęt został wprowadzony do obrotu po dniu 13 sierpnia 2005 r.
- Należy zapoznać się z lokalnym systemem zbiórki produktów elektronicznych i elektrycznych.
- Informacje o dostępnym systemie zbierania zużytego sprzętu elektrycznego można znaleźć w punkcie informacyjnym sklepu oraz w urzędzie miasta/gminy.
- Odpowiednie postępowanie ze użytym sprzętem zapobiega negatywnym konsekwencjom dla środowiska i ludzkiego zdrowia!

► cs - LIKVIDACE VÝROBKU

- Tento výrobek byl navržen a vyroben z vysoce kvalitních materiálů a komponentů, které lze recyklovat a znovu použít.
- Je-li na výrobku symbol přeškrtnutého kontejneru, znamená to, že na výrobek se vztahuje Evropská Směrnice 2012/19/UE.
- Informujte se o místním systému pro oddělený sběr elektrických a elektronických výrobků.
- Dodržujte místní předpisy a nelikvidujte staré produkty spolu s běžným komunálním odpadem. Správná likvidace výrobku pomůže předcházet možným negativním dopadům na životní prostředí a lidské zdraví.

► hu - HULLADÉKBA HELYEZÉS

- A termék kiváló minőségű újrahasznosítható és újból felhasználható alkotóelemek felhasználásával készült.
- Ha terméken elhelyezésre került az áthúzott hulladékgyűjtő ábrázoló jel, az azt jelenti, hogy a termékre a 2012/19/UE irányelv vonatkozik.
- Kérjük, tájékozódjon az elektromos és elektronikus hulladékok szelektív gyűjtéséről.
- Tartsa be a helyben hatályos előírásokat, és ne a terméket ne helyezze a háztartási hulladékgyűjtőbe. A megfelelő hulladékgyűjtéssel elkerülhető, hogy a hulladékok károsítsák a környezetet ill. az emberi egészséget.

►sl - ODLAGANJE IZDELKA

- Ta izdelek je bil zasnovan in izdelan iz materialov in komponent visoke kakovosti, ki jih je mogoče reciklirati in ponovno uporabiti.
- Ko je izdelek označen z znamenjem prekrižanega smetnjaka na kolesih, pomeni, da zanj veljajo določbe evropske Direktive 2012/19/UE.
- Pozanimajte se o načinu ločenega zbiranja električne in elektronske opreme, ki velja v vašem kraju.
- Upoštevajte veljavne predpise in odsluženih izdelkov ne odlagajte med gospodinjske odpadke. Pravilno odlaganje izdelka prispeva k izogibanju morebitnim negativnim posledicam za zdravje okolja in ljudi.

►tr - ÜRÜNÜN İMHA EDİLMESİ

- Bu ürün, geri dönüştürülüp tekrar kullanılabilen, yüksek kaliteli malzeme ve bileşenler kullanılarak tasarlanıp üretilmiştir.
- Herhangi bir üründe, üzerinde çarpı işareti bulunan tekerlekli bidon bulunuyorsa bu, ürünün 2012/19/UE Avrupa Direktifi tarafından korunduğunu belirtir.
- Lütfen bulunduğunuz bölgedeki elektrikli ve elektronik aletler için olan çöp ayrıştırma sistemi ile ilgili bilgi edininiz.
- Konuyla ilgili yerel düzenlemelere uyunuz ve eski ürünleri normal evsel atıklarla beraber atmayınız. Ürünün doğru şekilde imha edilmesi, çevre ve insan sağlığını tehdit edici olumsuz sonuçların önlenmesine yardımcı olur.

►hr - ODBACIVANJE PROIZVODA

- Ovaj je proizvod osmišljen i izrađen s visokokvalitetnim materijalima i komponentama koje se mogu reciklirati i ponovno iskoristiti.
- Kada se na proizvod stavi simbol prekrižene kante na kotačima, to znači da je on podvrgnut Europskoj Smjernici 2012/19/UE.
- Informirajte se u svezi s lokalnim načinom diferencijalnog sakupljanja električnih i elektronskih proizvoda.
- Pošaljite lokalne propise na snazi i ne odbacujte stare proizvode zajedno sa običnim kućnim otpadom. Pravilnim odbacivanjem proizvoda spriječit ćete moguće negativne posljedice za okoliš i za zdravlje ljudi.

►lt - GAMINIO SUNAIKINIMAS

- Šis gaminys buvo sukurtas ir pagamintas iš aukštos kokybės medžiagų bei dalių, kurios gali būti perdirbtos arba panaudotos dar kartą.
- Kai gaminys yra pažymėtas perbraukto atliekų konteinerio su ratukais ženklu, tai reiškia, kad gaminys yra saugomas pagal ES direktyvą 2012/19/UE.
- Prašome pasidomėti apie vietinę elektros ir elektronikos atliekų rūšiavimo sistemą.
- Laikykitės vietinių galiojančių taisyklių ir nemeskite senų gaminių su įprastomis buitinėmis atliekomis. Tinkamai sunaikinę gaminį išvengsite galimų neigiamų pasekmių aplinkai ir žmonių sveikatai.

►lv - PRODUKTA IZNĪCINĀŠANA

- Šis produkts tika izveidots un ražots ar augstas kvalitātes materiāliem un sastāvdaļām, kas var būt savāktas un atkārtoti izmantotas.
- Kad pie produkta ir piestiprināts atkritumu tvertnes simbols ar riteņiem, kas ir pārsvītrots ar krustu, tas nozīmē, ka produktu aizstāv Eiropas Direktīva 2012/19/UE.
- Lūdzam Jūs gūt informāciju par vietēju centru, kas savāc elektriskās un elektroniskā ierīces.
- Ievērot vietējās pastāvošās normas un neiznīcināt vecus produktus, kā parastus mājas atkritumus. Produkta pareizā iznīcināšana palīdz izvairīties no iespējamām negatīvām sekām vides un cilvēku veselībai.

►et - TOOTE KASUTUSEST KÕRVALDAMINE

- See toode on projekteeritud ja toodetud kvaliteetsetest materjalidest ja osadest, mida võib uuesti ringlusse võtta ja korduskasutada.
- Kui tootel on märk, millel on ratastega prügikast, millele on rist peale tõmmatud, tähendab see, et toodet kaitseb Euroopa direktiiv 2012/19/UE.
- Palun tutvuge kohaliku elektri- ja elektroonikatoodete lahuskogumise süsteemiga.
- Täitke kehtivaid kohalikke õigusnorme ning ärge visake vana toodet olmejäätmete hulka. Toote õige kõrvaldamine aitab vältida võimalikke negatiivseid tagajärgi keskkonna ja inimeste tervisele.

►ro - SCOATEREA DEFINITIVĂ DIN UZ A PRODUSULUI

- Acest produs a fost proiectat și fabricat cu materiale și componente de înaltă calitate care pot fi reciclate și refolosite.
- Când pe produs este aplicat simbolul unei pubele cu roți, marcată cu o cruce, înseamnă că produsul respectiv este conform Directivei Europene 2012/19/UE.
- Vă rugăm să vă informați în ceea ce privește colectarea separată a produselor electrice și electronice.
- Respectați normele locale în vigoare și nu depozitați produsele vechi împreună cu deșeurile menajere. Eliminarea corectă a produsului ajută la eliminarea consecințelor negative pe care acesta le poate avea asupra mediului înconjurător și a persoanelor.

►sk - LIKVIDÁCIA VÝROBKU

- Tento výrobok bol navrhnutý a vyrobený z vysoko kvalitných materiálov a komponentov, ktoré je možné recyklovať a znovu použiť.
- Ak je na výrobku symbol prečiarknutého kontajnera, znamená to, že na výrobok sa vzťahuje Európska Smernica 2012/19/UE.
- Informujte sa o miestnom systéme pre oddelený zber elektrických a elektronických výrobkov.
- Dodržujte miestne predpisy a nelikvidujte staré produkty spolu s bežným komunálnym odpadom. Správna likvidácia výrobku pomôže predchádzať možným negatívnym dopadom na životné prostredie a ľudské zdravie.

► **bg - ИЗХВЪРЛЯНЕ НА УРЕДА**

-Това изделие е проектирано и произведено с материали и компоненти от високо качество, които могат да се рециклират или използват повторно.

-Когато на някое изделие е поставен символ с бидон на колелца, маркиран с хикс, това означава, че изделието е защитено съгласно Европейска Директива 2012/19/UE.

-Моля да се информирате относно местната система за разделно изхвърляне на електрически и електронни изделия.

-Спазвайте действащите местни нормативи и не изхвърляйте изделията, заедно с нормалните домакински отпадъци. Правилното изхвърляне на изделията, помага за избягване на възможни отрицателно последици, за здравето на хората и за опазване на околната среда.

► **uk - УТИЛІЗАЦІЯ ВИРОБУ**

-Цей виріб був спроектований і вироблений з використанням високоякісних матеріалів і комплектуючих, які можуть бути повторно перероблені і використані.

-Якщо на виріб нанесено символ перекресленого бака з колесами для сміття, це означає, що виріб відповідає Директиві Європейського Союзу 2012/19/UE.

-Просимо ознайомитися з інформацією щодо місцевої системи роздільного збору сміття для електричного і електронного обладнання.

-Дотримуйтеся чинних місцевих правил і не викидайте старі вироби до звичайних побутових відходів. Правильна утилізація виробу допомагає уникнути можливих негативних наслідків для довкілля і здоров'я людей.

► **bs - ODLAGANJE PROIZVODA**

-Ovaj je proizvod dizajniran i proizveden korištenjem materijala i komponenata visoke kvalitete koji se mogu reciklirati i ponovo koristiti.

-Kada se na ovaj proizvod postavi simbol prekrizene kante /obilježene krstom na točkovima, to znači da je proizvod podložan Evropskoj Direktivi 2012/19/UE.

-Molimo Vas da se informirate o lokalnom sistemu diferencijalnog sakupljanja električnih i elektronskih proizvoda.

-Poštujte lokalne propise na snazi i ne odbacujte stare proizvode u obični kućanski otpad. Pravilno odlaganje proizvoda pomaže i onemogućuje negativne posljedice za zdravlje ljudi i okoliša

► **el - ΔΙΑΘΕΣΗ ΤΟΥ ΠΡΟΪΟΝΤΟΣ**

-Το προϊόν αυτό σχεδιάστηκε και κατασκευάστηκε με υλικά και εξαρτήματα υψηλής ποιότητας, τα οποία μπορούν να ανακυκλωθούν και να ξαναχρησιμοποιηθούν.

-Όταν ένα προϊόν είναι συνδεδεμένο με το σύμβολο του διαγεγραμμένου τροχοφόρου σημειωμένο με ένα σταυρό, σημαίνει ότι το προϊόν καλύπτεται από την Ευρωπαϊκή Οδηγία 2012/19/UE.

-Σας συνιστούμε να ενημερωθείτε σχετικά με το τοπικό σύστημα συλλογής για την ανακύκλωση ηλεκτρικών και ηλεκτρονικών προϊόντων.

-Τηρήστε τους τοπικούς κανονισμούς που ισχύουν και μην απορρίπτετε τα παλαιά προϊόντα στα οικιακά απορρίμματα. Η σωστή διάθεση του προϊόντος βοηθά στην αποφυγή πιθανών αρνητικών συνεπειών για την υγεία του περιβάλλοντος και του ανθρώπου.

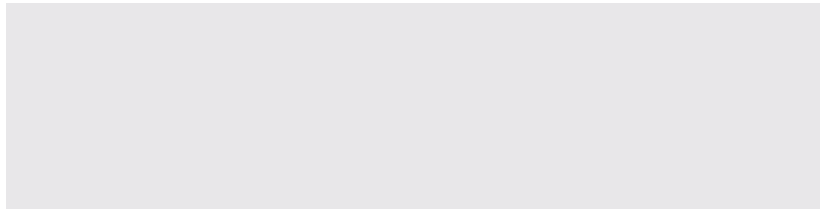
► **zh - 弃置旧的产品**

-该产品是由高质量的原材料和零配件生产而成的，可以进行回收再利用

-当这个标识标签出现在产品上时，它表明这个产品符合 European Directive 2012/19/UE 标准。

-请熟知产品实际使用地关于处理废弃的电子元件的相关法律规定。

-请严格根据当地法规处理废弃的产品和包装，并确保不和生活垃圾混装。正确的处理方式可以避免对环境和人体健康产生的潜在威胁。



Dantherm S.p.A.
Via Gardesana 11
37010 Pastrengo (VR)
Italy
t.: +39 045 6770533
e.: info.it@danthermgroup.com



DOWNLOAD
CATALOGUE



SEND US YOUR
FEEDBACK



REGISTER FOR
3-YEAR WARRANTY

We will not accept any responsibility for any errors and omissions in this user manual.
All images and copy within this user manual are protected by copyright.



Recycling



ENVIRONMENTAL PROTECTION: Please recycle any unwanted materials as opposed to disposing them as general waste. It is recommended the original is retained and used to store the product when not in use for prolonged periods of time. If this is not applicable ensure the materials are sorted and recycled in accordance with local regulations.



SPECIFICATION CHANGE: It is our policy to continually improve products to ensure these meet the rigours of the industry we serve. Therefore, as such we reserve the right to alter specifications, data, components & parts with-out prior notice.

WARRANTY: Please refer to the manufactures terms & conditions.

IMPORTANT: No liability will be accepted for the incorrect use of this product.

KEEP THIS BOOKLET FOR FUTURE REFERENCE

📞 Nottingham: 0115 946 1988 • London: 0208 830 3333 ✉ Nottingham: sales@hscgroupuk.co.uk • London: sean@hscgroupuk.co.uk 🌐 www.hscgroupuk.co.uk

The Hire Supply Company Terms & Conditions Apply At All Time E&OE