



PARTS DRAWING

MCE MASTER
CLIMATE SOLUTIONS

**Master 240v 20kw
Direct Oil-Fired Heater**

**Product Code:
B70240V**



Serial Number Range:

From: 06133003411

To:

Year Of Manufacture: 2013

***Please note, when ordering online via our website if the part number is not recognised, please Email spares@hscgroupuk.co.uk or Telephone 0115 946 1988**

KEEP THIS BOOKLET FOR FUTURE REFERENCE

Nottingham: 0115 946 1988 • London: 0208 830 3333 ✉ Nottingham: sales@hscgroupuk.co.uk • London: sean@hscgroupuk.co.uk 🌐 www.hscgroupuk.co.uk

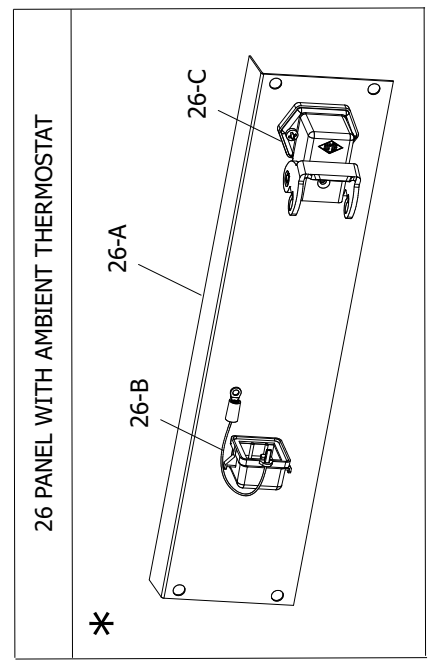
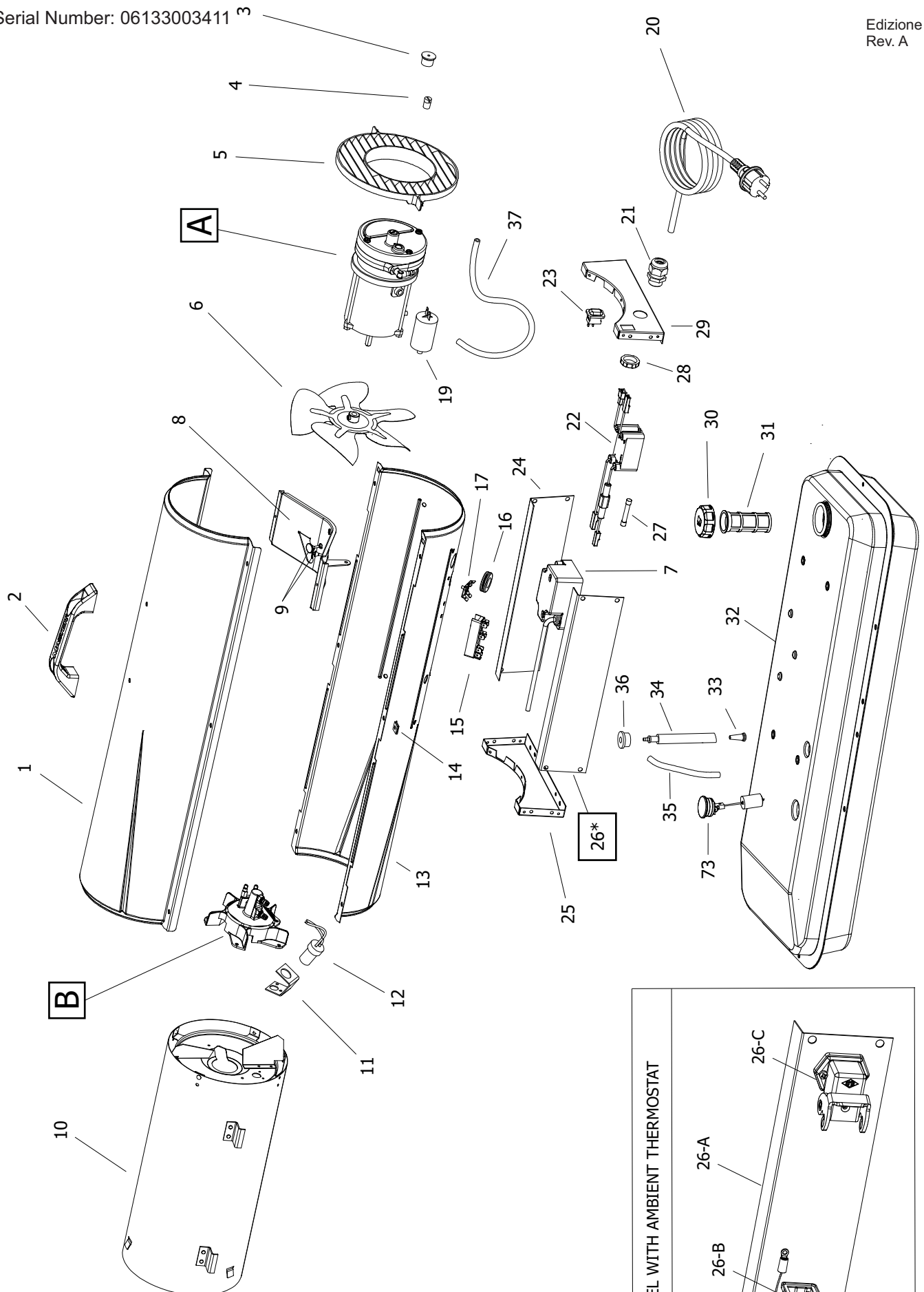
The Hire Supply Company Terms & Conditions Apply At All Time E&OE

B 70 CED MODEL 2013

UNIT 1

ILLUSTRATED PARTS BREAKDOWN

Edizione 2013
Rev. A

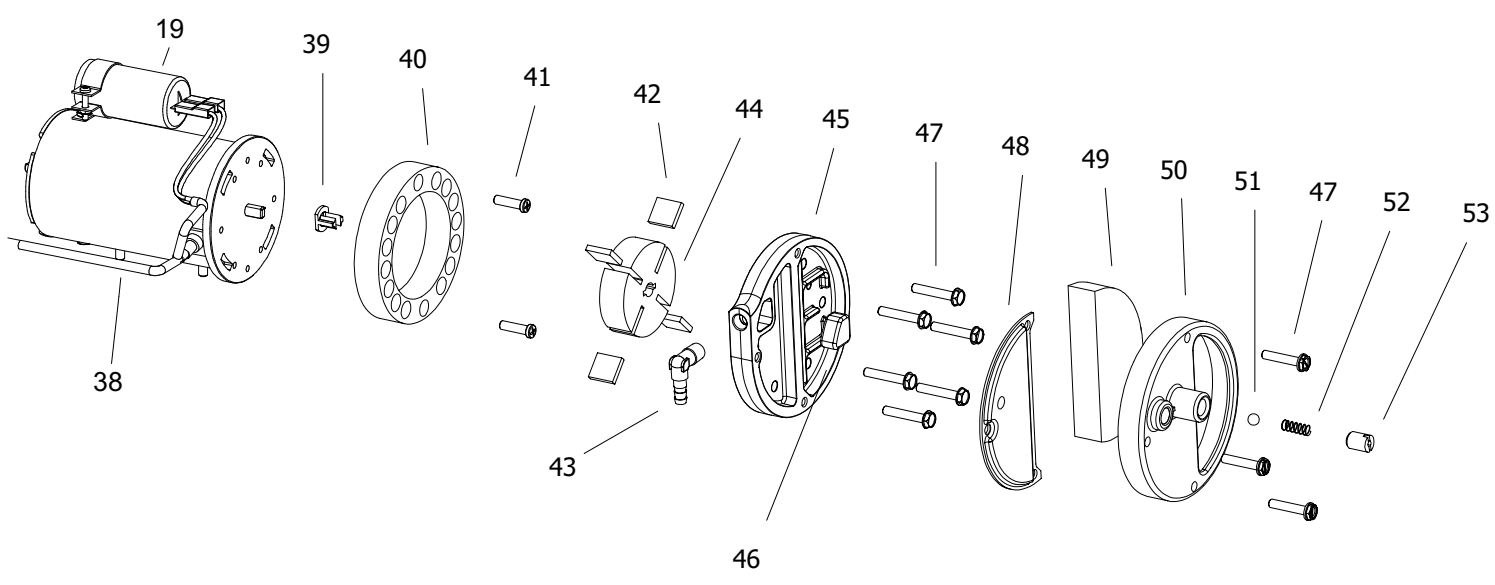


B 70 CED MODEL 2013

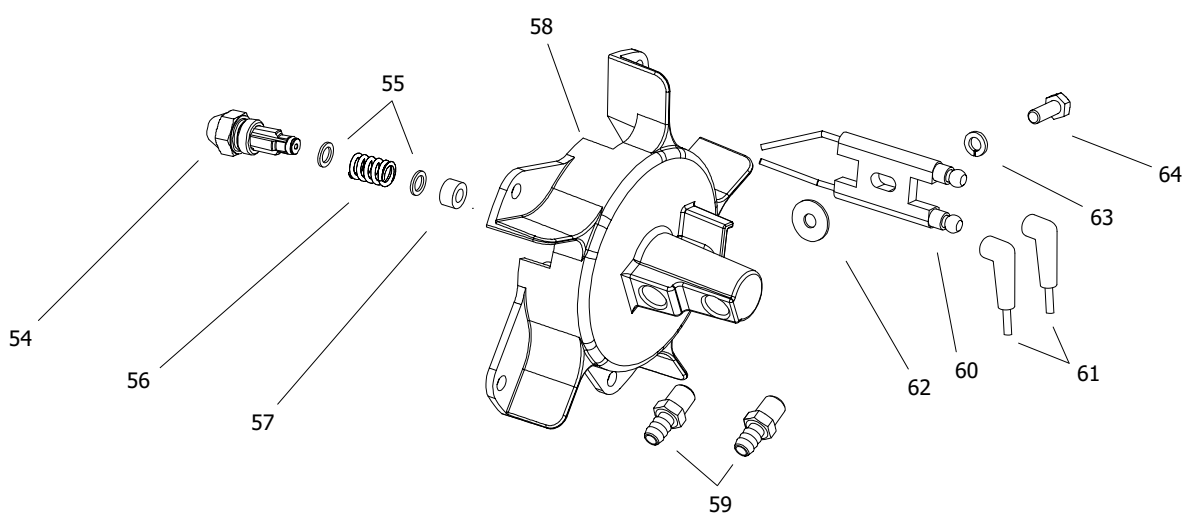
UNIT 2

ILLUSTRATED PARTS BREAKDOWN

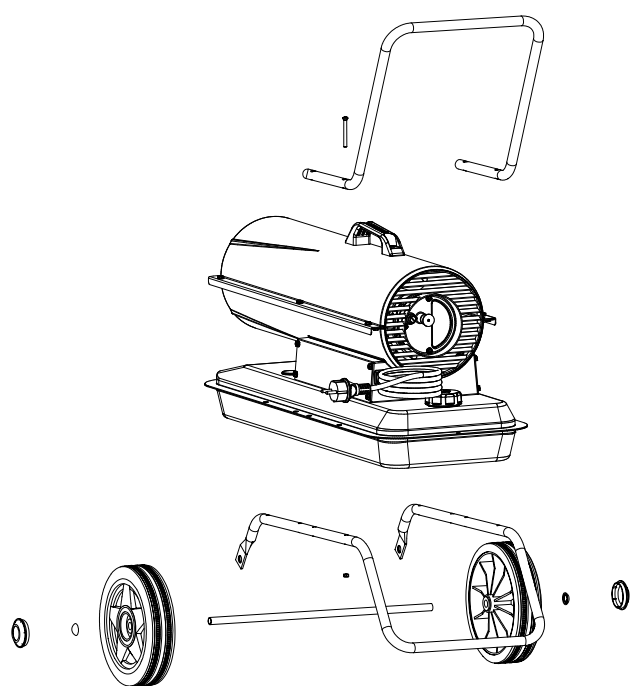
A



B



4103.925 Wheel Kit



Pos.	Code NR	Description
1	4109.808	UPPER SHELL
2	4162.934	PLASTIC HANDLE
3	4100.666	COVER CAP
4	4102.125	PRESSURE GAUGE CAP
5	4109.812	FAN GUARD
6	4100.662	FAN
7	4111.885	ELECTRONIC IGNITOR
8	4110.187	MOTOR BRACKET
9	4150.553	BUMPER
10	4104.090	COMBUSTION CHAMBER
11	4100.658	PHOTOCELL BRACKET
12	4110.564	PHOTOCELL ASSEMBLY
13	4109.809	LOWER SHELL
14	4104.170	CLIP NUT
15	4106.110	TERMINAL BOARD
16	4160.646	CABLE PROTECTION
17	4160.639	RIVET POP
19	4111.854	CAPACITOR 7,5UF
19	4110.293	CAPACITOR 5UF
20	4110.451	POWER CORD SCHUKO
20-A	4111.811	POWER CORD NEW ZEALAND
20-B	4110.464	POWER CORD UK
21	4150.528	STRAIN RELIEF
22	4104.193	FLAME-OUT CONTROL
23	4106.179	ON/OFF SWITCH
24	4110.560	RIGHT PANEL
25	4110.113	FRONT FRAME BRACKET
26-A	4106.212	LEFT PANEL FOR AMBIENT THERMOSTAT
26-B	4162.467	CAP FOR THERMOSTAT SOCKET
26-C	4111.119	THERMOSTAT SOCKET
27	4101.864	FUSE
28	4100.656	LOCKNUT
29	4110.114	REAR FRAME BRACKET
30	4260.007	FUEL TANK CAP
31	4290.026	FUEL TANK FILTER
32	4110.895	FUEL TANK

Pos.	Code NR	Description
33	4110.356	FUEL FILTER
34	4110.391	FUEL LINE
35	4110.032	FUEL LINE
36	4100.541	RUBBER BUSHING
37	4104.147	AIR LINE
38	4110.480	MOTOR 1/8 HP
39	4108.635	INSERT
40	4101.317	PUMP BODY
41	4108.588	PUMP BODY SCREW
42	4101.200	BLADE
43	4100.661	BARB ELBOW
44	4108.627	ROTOR
45	4109.724	PUMP END COVER
46	4109.716	LINT FILTER
47	4108.528	SCREW/LOCKWASHER 4,8x25
48	4109.708	OUTPUT FILTER
49	4109.690	INTAKE FILTER
50	4109.674	END COVER
51	4108.379	STEEL BALL
52	4102.141	PRESSURE RELIEF SPRING
53	4102.133	ADJUSTING SCREW
54	4103.486	NOZZLE
55	4100.525	WASHER
56	4100.533	NOZZLE SEAL SPRING
57	4101.622	NOZZLE SEAL SLEEVE
58	4110.399	BURNER HEAD BODY
59	4104.118	BARB FITTING
60	4110.337	BIFILAR ELECTRODES
61	4111.831	HT CABLE
62	4110.394	WASHER
63	4110.393	WASHER
64	4110.363	SCREW
73	4260.006	FUEL GAUGE
...	4103.925	WHEEL KIT HD B35/70



Recycling



ENVIRONMENTAL PROTECTION: Please recycle any unwanted materials as opposed to disposing them as general waste. It is recommended the original is retained and used to store the product when not in use for prolonged periods of time. If this is not applicable ensure the materials are sorted and recycled in accordance with local regulations.



SPECIFICATION CHANGE: It is our policy to continually improve products to ensure these meet the rigours of the industry we serve. Therefore, as such we reserve the right to alter specifications, data, components & parts with-out prior notice.

WARRANTY: Please refer to the manufactures terms & conditions.

IMPORTANT: No liability will be accepted for the incorrect use of this product.

KEEP THIS BOOKLET FOR FUTURE REFERENCE

📞 Nottingham: 0115 946 1988 • London: 0208 830 3333 ✉ Nottingham: sales@hscgroupuk.co.uk • London: sean@hscgroupuk.co.uk 🌐 www.hscgroupuk.co.uk

The Hire Supply Company Terms & Conditions Apply At All Time E&OE