



PARTS DRAWING

MCE MASTER
CLIMATE SOLUTIONS

**Master 30kw
3 Phase Fan Heater**

**Product Code:
B30EPR**



Serial Number Range:

From:

To:

Year Of Manufacture: 2015

***Please note, when ordering online via our website if the part number is not recognised,
please Email spares@hscgroupuk.co.uk or Telephone 0115 946 1988**

KEEP THIS BOOKLET FOR FUTURE REFERENCE

Nottingham: 0115 946 1988 • London: 0208 830 3333 ✉ Nottingham: sales@hscgroupuk.co.uk • London: sean@hscgroupuk.co.uk 🌐 www.hscgroupuk.co.uk

The Hire Supply Company Terms & Conditions Apply At All Time E&OE

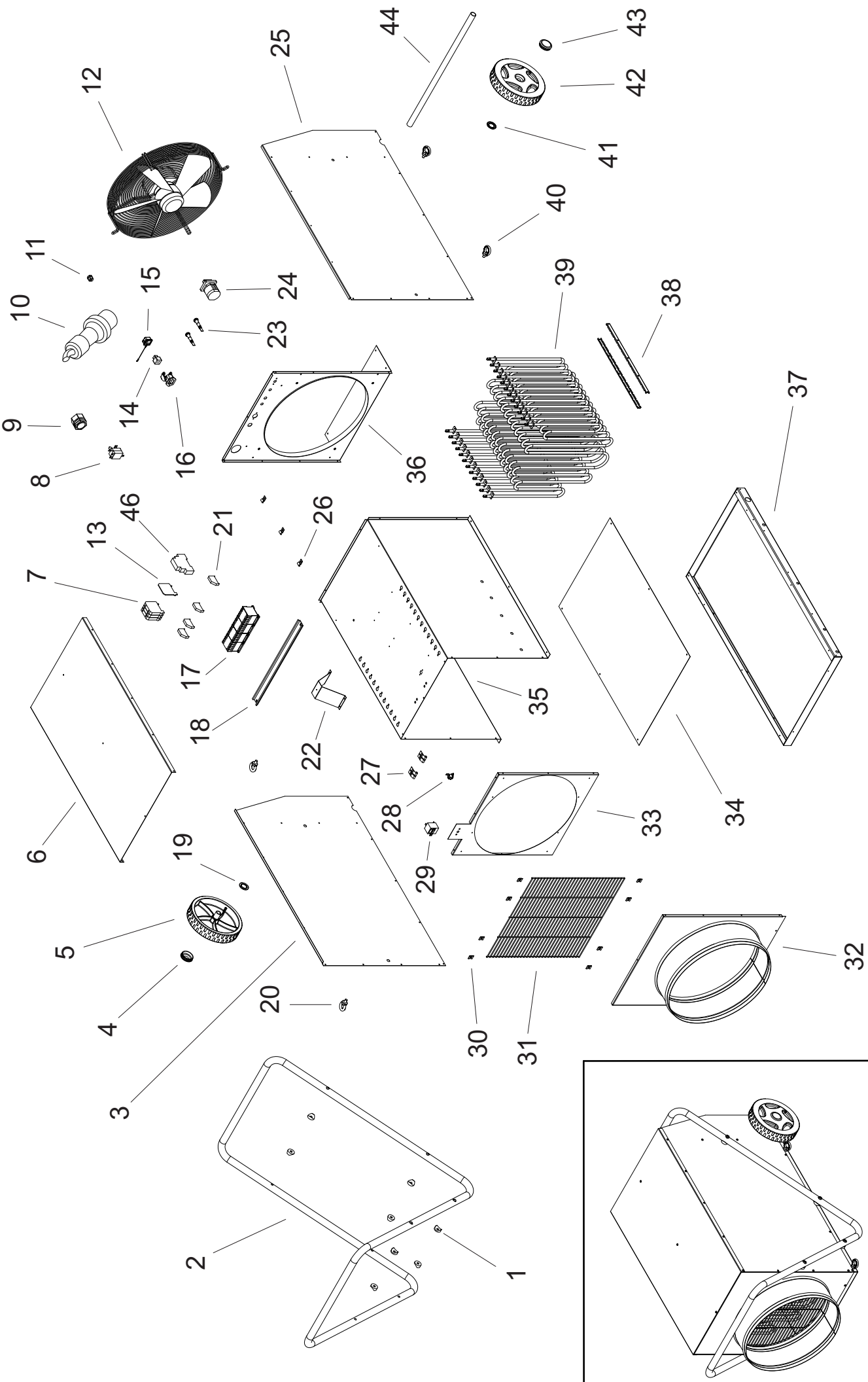
MODEL B 30 EPR

UNIT 1

ILLUSTRATED PARTS BREAKDOWN

From Serial Number: XXC3400001

Rev.-- May 2015



MODEL B 30EPR

UNIT 2

PARTS LIST

Pos.	Code N°	Description	Rev. - - June 2015
1	4511.674	HANDLE SPACER	
2	4511.776	HANDLE	
3	4511.772	RIGHT PANEL	
4	4111.480	WHEEL CAP	
5	4111.916	WHEEL	
6	4511.775	UPPER PANEL	
7	4510.456	CONNECTOR	
8	4510.462	SAFETY MANUAL RESET THERMOSTAT	
9	4511.677	STRAIN RELIEF	
10	4510.461	POWER CORD	
11	4510.647	STRAIN RELIEF	
12	4510.325	MOTOR-FAN	
13	4510.457	CONNECTOR COVER	
14	4161.400	ROOM THERMOSTAT PLUG	
15	4162.467	ROOM THERMOSTAT CAP	
16	4514.611	ROOM THERMOSTAT SOCKET	
17	4510.454	CONTACTOR	
18	4165.548	DIN BAR	
19	4111.072	WHEEL BLOCK WASHER	
20	4514.801	HOOK	
21	4510.458	CONTACTOR BLOCK	
22	4511.780	UPPER PANEL BRACKET	
23	4510.460	LED	
24	4510.429	SELECTOR	
25	4511.771	LEFT PANEL	
26	4510.874	CLIP	
27	4510.872	BULB CLIP	
28	4510.463	TEMPERATURE SENSOR	
29	4165.551	THERMOSTAT	
30	4510.140	GRILL CLIP	
31	4511.767	FRONTAL GRILL	
32	4511.773	FRONTAL PANEL	
33	4511.786	FRONTAL THERMAL SHIELD	
34	4511.770	LOWER THERMAL SHIELD	
35	4511.785	THERMAL SHIELD	
36	4511.774	REAR PANEL	
37	4511.768	LOWER PANEL	
38	4511.782	LEFT RESISTANCE SUPPORT	
39	4510.377	RESISTANCE	
40	4514.801	HOOK	
41	4111.072	WHEEL BLOCK WASHER	
42	4111.916	WHEEL	
43	4111.480	WHEEL CAP	
44	4511.784	AXLE	
45	4510.455	PLUG 5P	
46	4510.464	RELAY	
47	4511.781	RIGHT RESISTANCE SUPPORT	



Recycling



ENVIRONMENTAL PROTECTION: Please recycle any unwanted materials as opposed to disposing them as general waste. It is recommended the original is retained and used to store the product when not in use for prolonged periods of time. If this is not applicable ensure the materials are sorted and recycled in accordance with local regulations.



SPECIFICATION CHANGE: It is our policy to continually improve products to ensure these meet the rigours of the industry we serve. Therefore, as such we reserve the right to alter specifications, data, components & parts with-out prior notice.

WARRANTY: Please refer to the manufactures terms & conditions.

IMPORTANT: No liability will be accepted for the incorrect use of this product.

KEEP THIS BOOKLET FOR FUTURE REFERENCE

📞 Nottingham: 0115 946 1988 • London: 0208 830 3333 ✉ Nottingham: sales@hscgroupuk.co.uk • London: sean@hscgroupuk.co.uk 🌐 www.hscgroupuk.co.uk

The Hire Supply Company Terms & Conditions Apply At All Time E&OE