



USER MANUAL

MCE **MASTER**[®]
CLIMATE SOLUTIONS

**Master 240v Direct
Oil-Fired Heater HP**

**Product Code:
B230240**



Serial Number Range:

From:

To:

Year Of Manufacture:

***Please note, when ordering online via our website if the part number is not recognised,
please Email spares@hscgroupuk.co.uk or Telephone 0115 946 1988**

KEEP THIS BOOKLET FOR FUTURE REFERENCE

Nottingham: 0115 946 1988 • London: 0208 830 3333 ✉ Nottingham: sales@hscgroupuk.co.uk • London: sean@hscgroupuk.co.uk 🌐 www.hscgroupuk.co.uk

The Hire Supply Company Terms & Conditions Apply At All Time E&OE



MAS
CLIMATE SOLUTIONS












USER AND MAINTENANCE BOOK
LIBRETTO USO E MANUTENZIONE
BEDIENUNGS- UND WARTUNGSANLEITUNG
MANUAL DE INSTRUCCIONES PARA EL USO Y MANTENIMIENTO
MANUEL D'UTILISATION ET DE MAINTENANCE
HANDLEIDING VOOR GEBRUIK EN ONDERHOUD
MANUAL DE USO E IMANUTENÇÃO
VEJLEDNING OM BRUG OG VEDLIGEHOLDELSE
KÄYTTÖ- JA HUOLTO-OHJE
HEFTE FOR BRUK OG VEDLIKEHOLD
ANVÄNDAR- OCH UNDERHÅLLSHANDBOK
INSTRUKCJA OBSŁUGI I KONSERWACJI
РУКОВОДСТВО ПО ЭКСПЛУАТАЦИИ И ТЕХНИЧЕСКОМУ ОБСЛУЖИВАНИЮ
PRÍRUČKA PRO POUŽITÍ A ÚDRŽBU
HASZNÁLATI ÉS KARBANTARTÁSI KÉZIKÖNYV
PRIROČNIK Z NAVODILI ZA UPORABO IN VZDRŽEVANJE
KULLANIM VE BAKIM KİTAPÇIĞI
KNJIZICA O UPORABI I ODRŽAVANJU
NAUDOJIMO IR PRIEŽIŪROS KNYGELĖ
LIETOŠANAS UN TEHNISKĀS APKOPES GRĀMATIŅA
KASUTUS- JA HOOLDUSJUHEND
MANUAL DE UTILIZARE ŞI ÎNȚREȚINERE
PRÍRUČKA PRE POUŽITIE A ÚDRŽBU
НАРЪЧНИК ЗА ИЗПОЛЗВАНЕ И ПОДДРЪЖКА
КЕРІВНИЦТВО З ЕКСПЛУАТАЦІЇ Й ТЕХНІЧНОГО ОБСЛУГОВУВАННЯ
KNJIZICOM O UPOTREBI I ODRŽAVANJU
ΕΓΧΕΙΡΙΔΙΟ ΧΡΗΣΗΣ ΚΑΙ ΣΥΝΤΗΡΗΣΗΣ
使用和维护手册
ПАЙДАЛААНУ ЖЭНЕ ТЕХНИКАЛЫК ҚЫЗМЕТ КӨРСЕТУ ЖЕТЕКШІЛІГІ

B 130 - B 180 - B 230 - B 230DV - B 360 - B 360DV
BV 69E - BV 69DV - BV 77E - BV 77DV
BV 110E - BV 110DV - BV 170E - BV 170DV - BV 290E - BV 290DV

Dantherm S.p.A. Via Gardesana 11, 37010 Pastrengo (Verona), Italia	Dantherm S.p.A. Виа Гардесана 11, 37010 Пастреngo (Верона), Италия
Dantherm Sp. z o.o. ul. Magazynowa 5A, 62-023 Gądki, Poland	Dantherm Sp. z o.o. ул. Магазинова, 5А, 62-023 Гадки, Польша
Dantherm LLC ul. Transportnaya - 22 ownership 2, 142802, STUPINO, Moscow region, Russia	ООО «Дантерм» Ул. Транспортная, владение 22/2, 142802, г.Ступино, Московская обл., РФ
Dantherm China LTD Unit 2B, 512 Yunchuan Rd., Shanghai, 201906, China	Dantherm China LTD Юньчуань роад, 512, строение 2В, Шанхай, 201906, Китай
Dantherm SP S.A. C/Calabozos, 6 Polígono Industrial, 28108 Alcobendas (Madrid), Spain	Dantherm SP S.A. Ц/Калобозос, 6 Полигоно Индустриал, 28108 Алкобендас (Мадрид) Испания










**TECHNICAL DATA TABLE - TABELLA DATI TECNICI - TECHNISCHE DATENTABELLE
 - TABLA DE DATOS TÉCNICOS - TABLEAU DES DONNÉES TECHNIQUES - TABEL
 TECHNISCHE GEGEVENS - TABELA DE DADOS TÉCNICOS - TEKNISK DATATABEL
 - TEKNISTEN TIETOJEN TAULUKKO - TABELL FOR TEKNISKE DATA - TABELL
 MED TEKNISKA EGENSKAPER - TABELA DANYCH TECHNICZNYCH - ТАБЛИЦЕ
 ТЕХНИЧЕСКИХ ДАННЫХ - TABULKA TECHNICKÝCH ÚDAJŮ - MŰSZAKI ADATOK
 TÁBLÁZATA - TEHNIČNI PODATKI - TEKNİK VERİLER TABLOSUNDA - TABLICI
 S TEHNIČKIM PODACIMA - TECHNINIŲ DUOMENŲ LENTELĖJE - TEHNISKO
 DATU TABULA - TEHNILISTE ANDMETE TABEL - TABELUL CU DATE TEHNICE -
 TABUĽKA TECHNICKÝCH ÚDAJOV - ТАБЛИЦА ТЕХНИЧЕСКИ ДАННИ - ТАБЛИЦІ
 ТЕХНІЧНИХ ДАНИХ - TABELI SA TEHNIČKIM PODACIMA - ΠΙΝΑΚΙΔΑ ΤΩΝ
 ΤΕΧΝΙΚΩΝ ΣΤΟΙΧΕΙΩΝ - 技术参数 - ТЕХНИКАЛЫҚ КӨРСЕТКІШТЕР КЕСТЕСІ**


	B 130	B 180
 MAX	31 kW-кВт 26.700 kcal/h-ккал/ч 106.000 Btu/h-БТЕ/ч	48 kW-кВт 41.200 kcal/h-ккал/ч 165.000 Btu/h-БТЕ/ч
	1.550 m³/h-м³/ч	1.550 m³/h-м³/ч
	2,45 kg/h-кг/ч	3,8 kg/h-кг/ч
	DIESEL-KEROSENE дизель-керосин	DIESEL-KEROSENE дизель-керосин
	36 л-л	36 л-л
	~220-240 V-B (-15%÷10%) 50 Hz-Гц 1,5 A 0,3 kW-кВт	~220-240 V-B (-15%÷10%) 50 Hz-Гц 1,5 A 0,3 kW-кВт
	~110-120 V-B (-15%÷10%) 50 Hz-Гц 3 A 0,3 kW-кВт	~110-120 V-B (-15%÷10%) 50 Hz-Гц 3 A 0,3 kW-кВт
	28 kg-кг	30 kg-кг
	0,65 US gal/h 80°S DANFOSS	1,00 US gal/h 60°S DANFOSS
	1.000 kPa-кПа 10 bar-бар	1.000 kPa-кПа 10 bar-бар



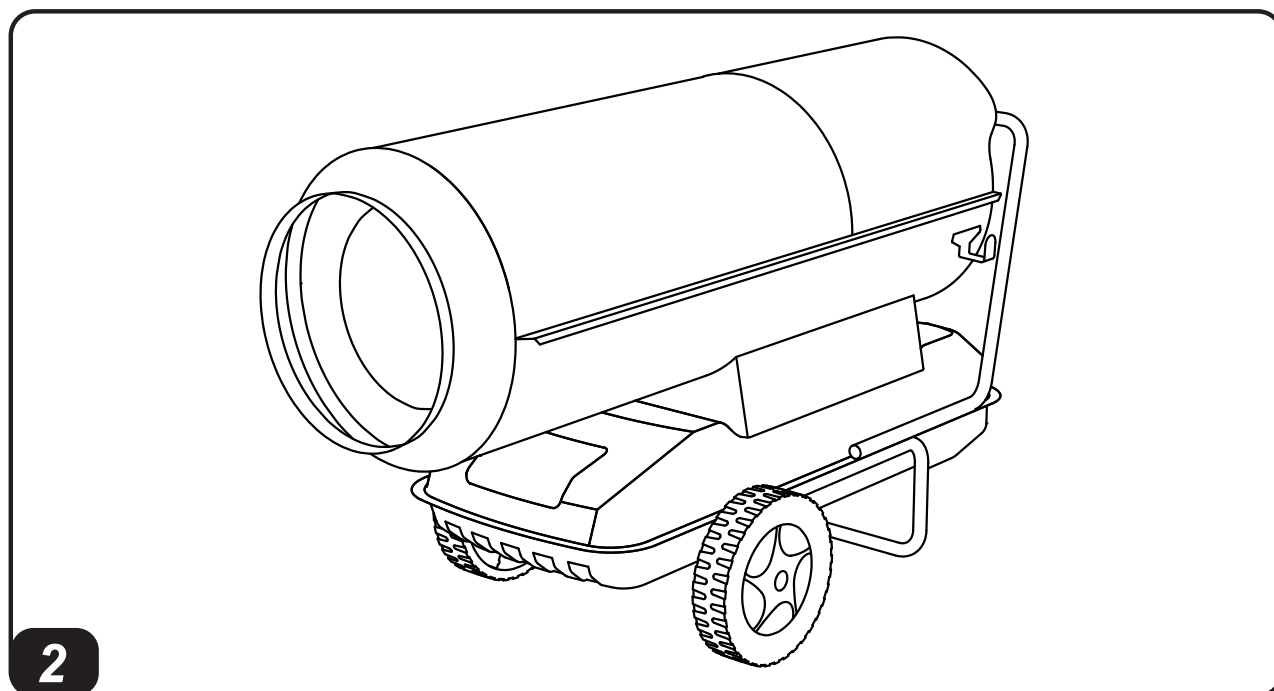
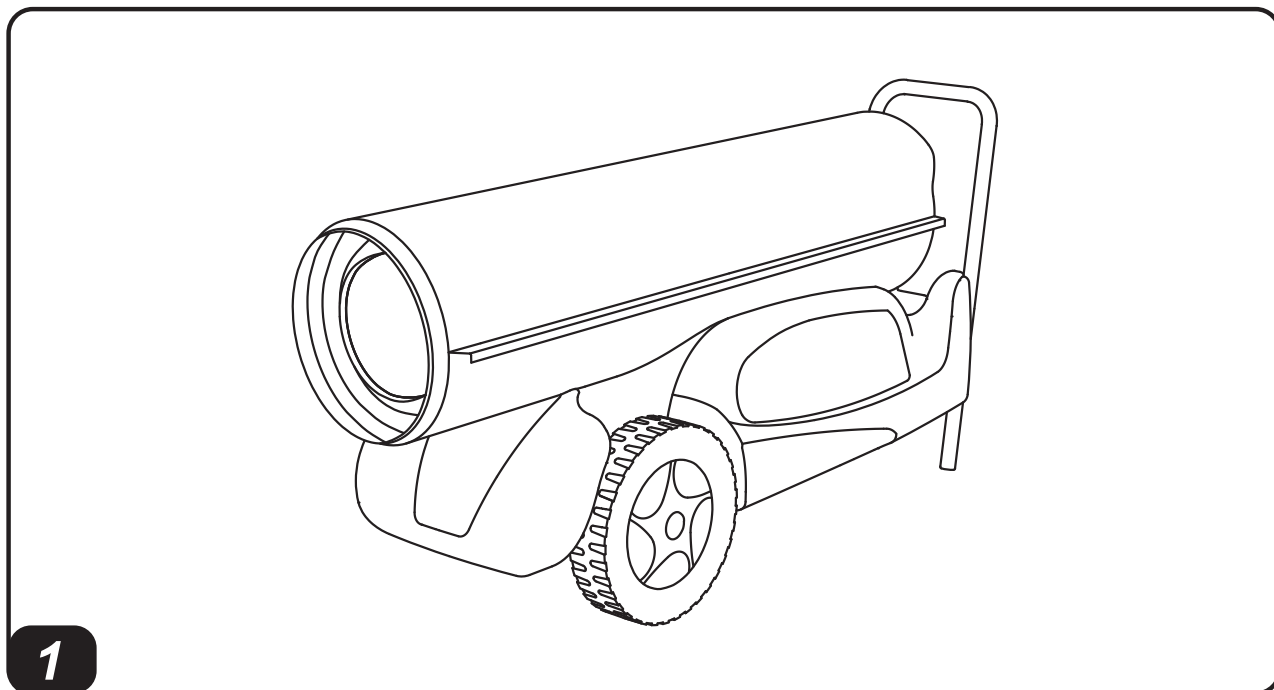
IMPORTANT: In order to have a correct function you must use an electrical generator in class G3 or more (frequency variation $\pm 1\%$, tension variation $\pm 2\%$). The maximum power of electrical generator must be three time the nominal power of device that you must connect.

**TECHNICAL DATA TABLE - TABELLA DATI TECNICI - TECHNISCHE DATENTABELLE
 - TABLA DE DATOS TÉCNICOS - TABLEAU DES DONNÉES TECHNIQUES - TABEL
 TECHNISCHE GEGEVENS - TABELA DE DADOS TÉCNICOS - TEKNISK DATATABEL
 - TEKNISTEN TIETOJEN TAULUKKO - TABELL FOR TEKNISKE DATA - TABELL
 MED TEKNISKA EGENSKAPER - TABELA DANYCH TECHNICZNYCH - ТАБЛИЦЕ
 ТЕХНИЧЕСКИХ ДАННЫХ - TABUĽKA TECHNICKÝCH ÚDAJŮ - MŰSZAKI ADATOK
 TÁBLÁZATA - TEHNIČNI PODATKI - TEKNİK VERİLER TABLOSUNDA - TABLICI
 S TEHNIČKIM PODACIMA - TECHNINIŪ DUOMENŪ LENTELĖJE - TEHNISKO
 DATU TABULA - TEHNILISTE ANDMETE TABEL - TABELUL CU DATE TEHNICE -
 TABUĽKA TECHNICKÝCH ÚDAJOV - ТАБЛИЦА ТЕХНИЧЕСКИ ДАННИ - ТАБЛИЦІ
 ТЕХНІЧНИХ ДАНИХ - TABELI SA TEHNIČKIM PODACIMA - ΠΙΝΑΚΙΔΑ ΤΩΝ
 ΤΕΧΝΙΚΩΝ ΣΤΟΙΧΕΙΩΝ - 技术参数 - ТЕХНИКАЛЫҚ КӨРСЕТКІШТЕР КЕСТЕСІ**

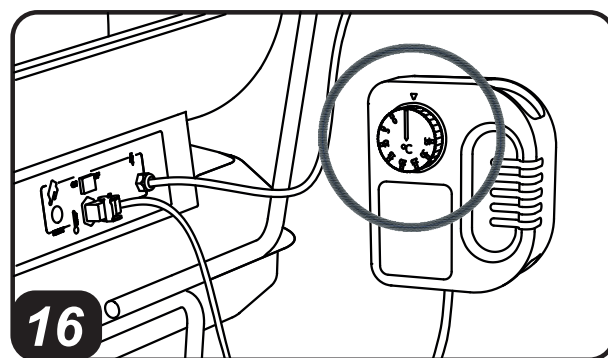
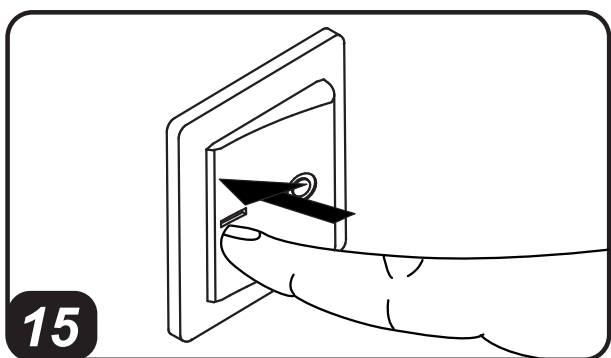
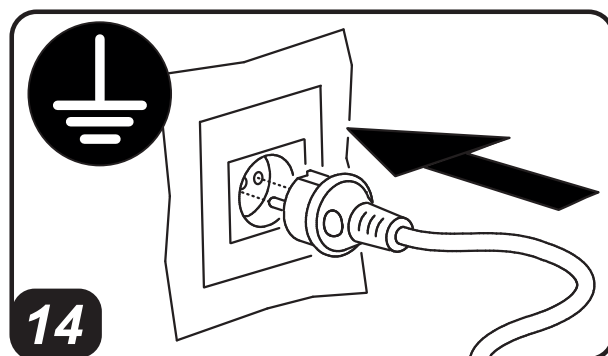
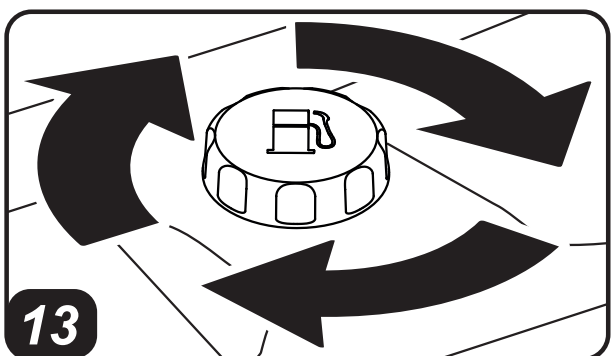
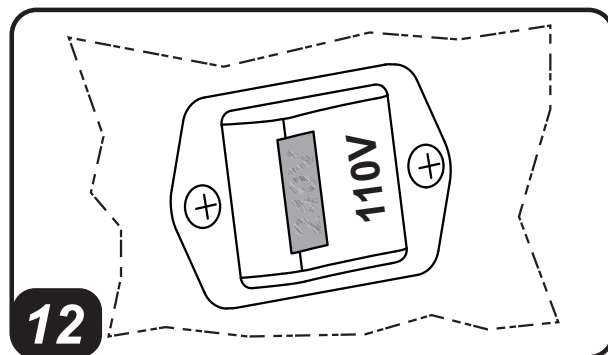
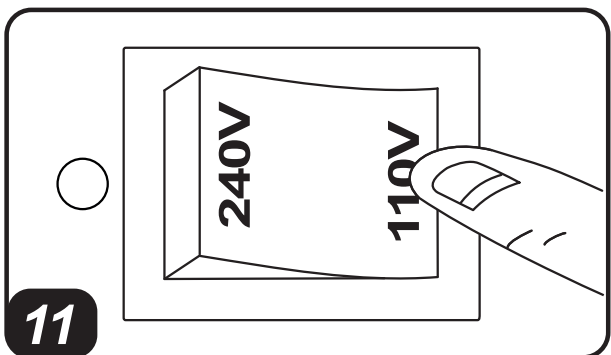
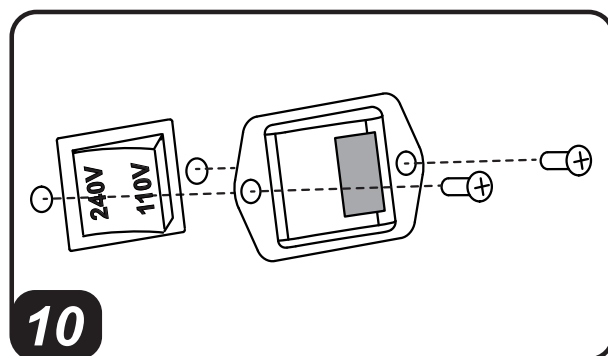
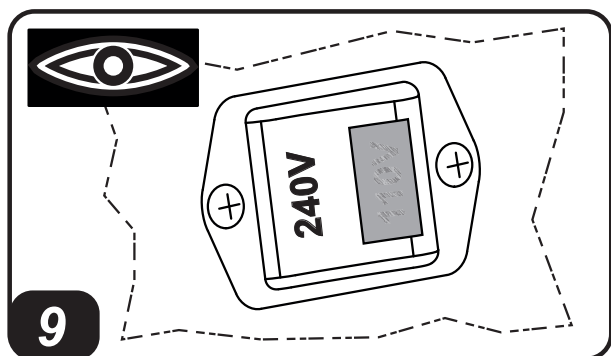
	B 230	B 360
 MAX	65 kW-кВт 56.000 kcal/h-ккал/ч 222.000 Btu/h-БТЕ/ч	111 kW-кВт 95.460 kcal/h-ккал/ч 379.000 Btu/h-БТЕ/ч
	3.000 m³/h-м³/ч	3.300 m³/h-м³/ч
	5,2 kg/h-кг/ч	8,83 kg/h-кг/ч
	DIESEL-KEROSENE дизель-керосин	DIESEL-KEROSENE дизель-керосин
	65 л-л	105 л-л
	~220-240 V-B (-15%÷10%) 50 Hz-Гц 3,5 A 0,8 kW-кВт	~220-240 V-B (-15%÷10%) 50 Hz-Гц 4,6 A 1,06 kW-кВт
	~110-120 V-B (-15%÷10%) 50 Hz-Гц 7,5 A 0,8 kW-кВт	~110-120 V-B (-15%÷10%) 50 Hz-Гц 9,2 A 1,06 kW-кВт
	57 kg-кг	86 kg-кг
	1,25 US gal/h 80°S DANFOSS	2,00 US gal/h 80°H DANFOSS
	1.200 kPa-кПа 12 bar-бар	1.300 kPa-кПа 13 bar-бар

 **IMPORTANT:** In order to have a correct function you must use an electrical generator in class G3 or more (frequency variation $\pm 1\%$, tension variation $\pm 2\%$). The maximum power of electrical generator must be three time the nominal power of device that you must connect.

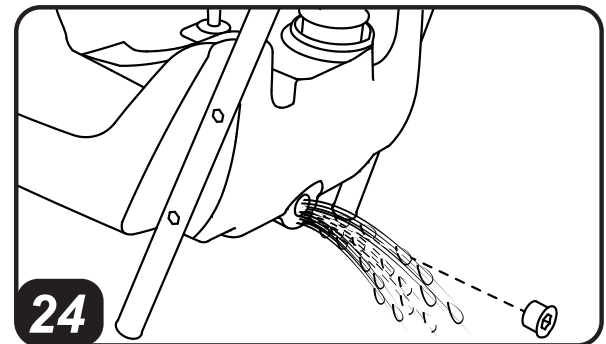
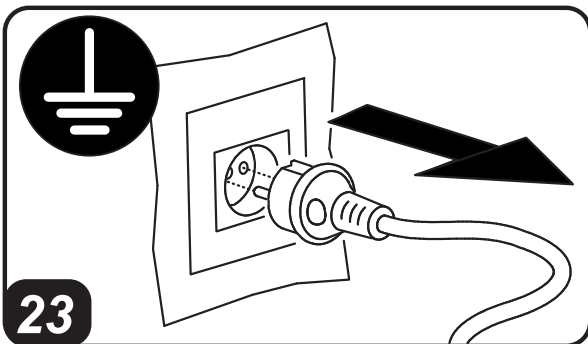
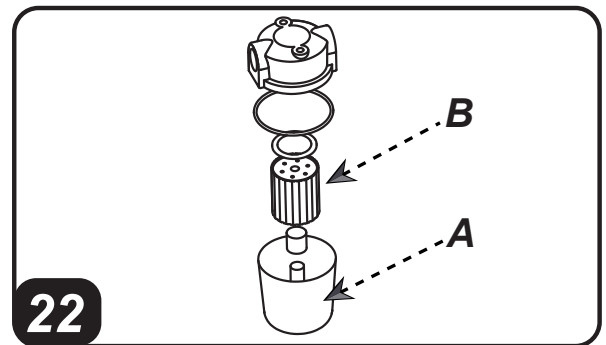
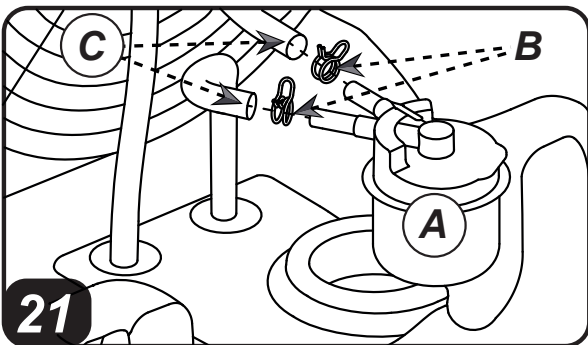
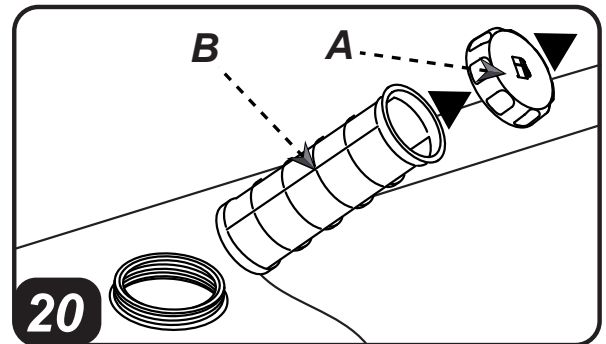
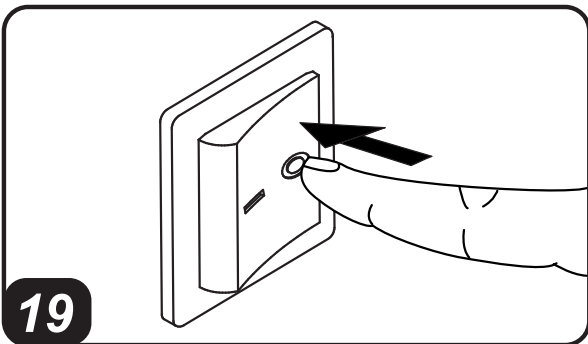
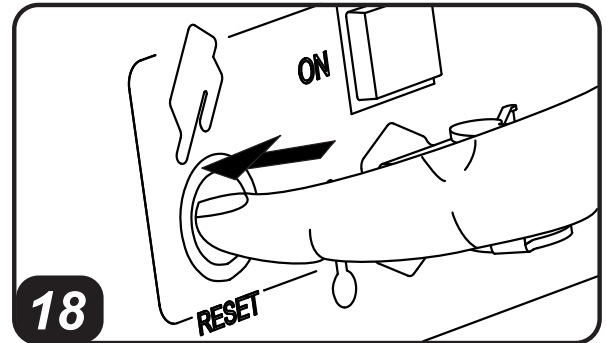
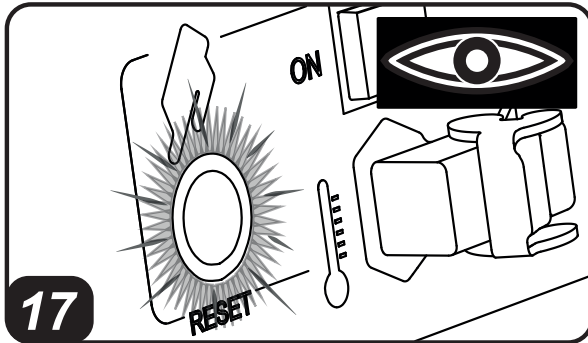
**PICTURES - FIGURE - ABBILDUNGEN - FIGURAS - FIGURES - FIGUREN
- FIGURAS - FIGURER - KUVAT - FIGURER - FIGUR - RYSUNKI - ΡΙΣΥΗ-
ΚΙ - OBRÁZKY - ÁBRÁK - SLIKE - ŞEKİLLER - SLIKE - PAVEIKSLĖLIAI -
ATTĒLI - JOONISED - IMAGINI - OBRÁZKY - ΦΙΓΥΡΑ - ΜΑΛΙΟΥΚΙ - SLIKE
- EIKONEΣ - 图 - СУРЕТТЕР**



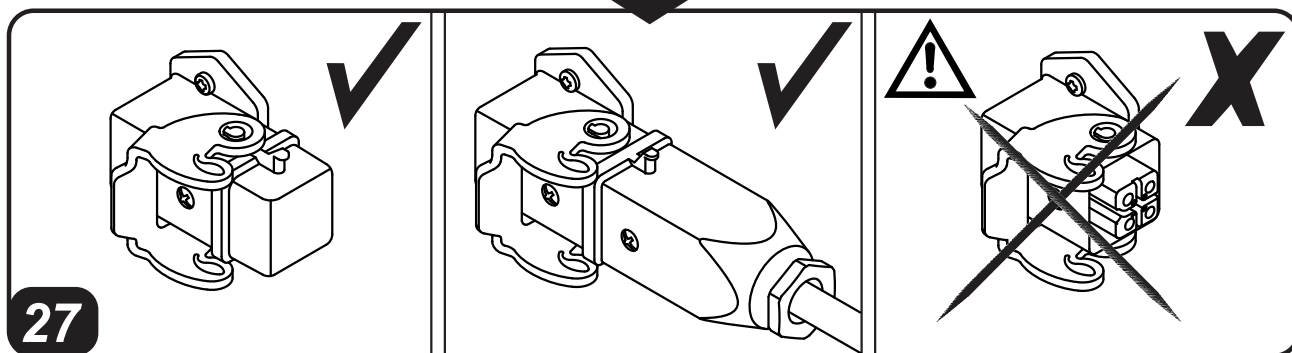
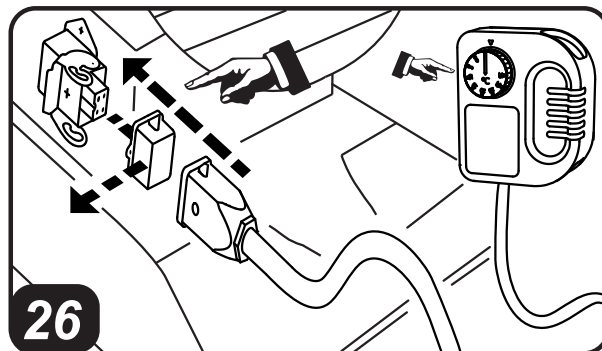
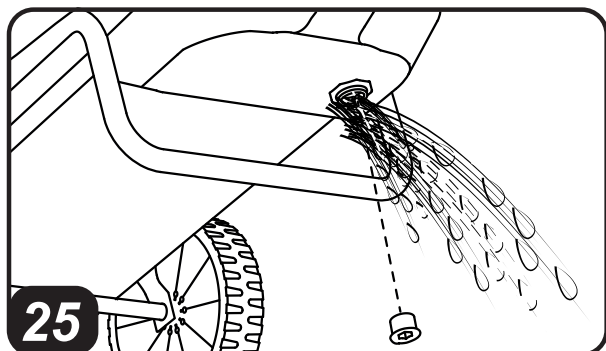
**PICTURES - FIGURE - ABBILDUNGEN - FIGURAS - FIGURES - FIGUREN
- FIGURAS - FIGURER - KUVAT - FIGURER - FIGUR - RYSUNKI - РИСУН-
КИ - OBRÁZKY - ÁBRÁK - SLIKE - ŞEKİLLER - SLIKE - PAVEIKSLĖLIAI -
ATTĒLI - JOONISED - IMAGINI - OBRÁZKY - ФИГУРА - МАЛЮНКИ - SLIKE
- EIKONEΣ - 图 - СУРЕТТЕР**



PICTURES - FIGURE - ABBILDUNGEN - FIGURAS - FIGURES - FIGUREN - FIGURAS - FIGURER - KUVAT - FIGURER - FIGUR - RYSUNKI - РИСУНКИ - OBRÁZKY - ÁBRÁK - SLIKE - ŞEKİLLER - SLIKE - PAVEIKSLĖLIAI - ATTĒLI - JOONISED - IMAGINI - OBRÁZKY - ΦΙΓΥΡΑ - МАЛЮНКИ - SLIKE - EIKONEΣ - 图 - СУРЕТТЕР



**PICTURES - FIGURE - ABBILDUNGEN - FIGURAS - FIGURES - FIGUREN
- FIGURAS - FIGURER - KUVAT - FIGURER - FIGUR - RYSUNKI - РИСУН-
КИ - OBRÁZKY - ÁBRÁK - SLIKE - ŞEKİLLER - SLIKE - PAVEIKSLĖLIAI -
ATTĒLI - JOONISED - IMAGINI - OBRÁZKY - ФИГУРА - МАЛЮНКИ - SLIKE
- EIKONEΣ - 图 - СУРЕТТЕР**



IMPORTANT: READ AND UNDERSTAND THIS MANUAL PRIOR TO ASSEMBLING, STARTING UP OR CONDUCTING MAINTENANCE ON THIS HEATER. USING THE HEATER INCORRECTLY CAN CAUSE SERIOUS INJURY. KEEP THIS MANUAL FOR FURTHER REFERENCE.

1. DESCRIPTION

This series of heaters is particularly suited to heating medium to large-sized rooms or areas. The series is divided into direct heaters and indirect heaters.


Direct heaters (PIC. 1-2) mix hot air with combustion fumes. For this reason they are particularly suited for outdoor environments or areas with high air renewal where there is a need to heat up, defrost or dry.


Thanks to a heat exchanger, indirect heaters (PIC. 3-4) separate combustion gases from the hot air released into the environment. This way it is possible to introduce a flow of clean hot air in the area that needs to be heated up and direct exhaust fumes outside.


These heaters have been designed in line with the most recent safety, operating and duration criteria. The safety devices ensure the machine always operates correctly.

2. SAFETY INFORMATION

WARNINGS

 **IMPORTANT:** This air heater has been designed for mobile and temporary professional applications. It has not been designed for domestic use nor for thermal comfort of human.

 **IMPORTANT:** This appliance is not suitable for use by persons (including children) with reduced physical, sensory and mental capacities or with lack of experience or knowledge unless supervised by a person responsible for their safety. Children must be supervised to make sure they do not play with the appliance.

 **DANGER:** Suffocation by carbon monoxide can be fatal.

The first symptoms of suffocation by carbon monoxide are similar to those of flu with headache, light-headedness and/or nausea. These symptoms could be caused by the faulty functioning of the heater. **IF THESE SYMPTOMS OCCUR, GO OUTDOORS IMMEDIATELY** and have the heater repaired by a technical service centre.

▶▶ 2.1. REFUELLING:

- ▶▶ 2.1.1. Personnel appointed to carry out refuelling must be qualified and fully familiar with this manual and current regulations on how to refuel heaters safely.
- ▶▶ 2.1.2. Only use the type of fuel specified on the heater's identification plate.
- ▶▶ 2.1.3. Before refuelling, turn off the heater and wait for it to cool down.
- ▶▶ 2.1.4. The fuel storage deposit tanks must be located in a separate facility or building.
- ▶▶ 2.1.5. All fuel tanks must be kept at a minimum distance from the heater, in accordance with current safety regulations.
- ▶▶ 2.1.6. Fuel must be stored in areas where the floor surface does not allow underneath dripping, or any other leakage which may ignite the fuel.
- ▶▶ 2.1.7. Fuel must be stored in accordance with current safety regulations.

▶▶ 2.2. SAFETY:

- ▶▶ 2.2.1. Never use the heater in areas with petrol, paint solvents or other highly flammable vapours.
- ▶▶ 2.2.2. Comply with all local legislation and current regulations when using the heater.
- ▶▶ 2.2.3. Heaters used near tarpaulins, curtains or other similar covering materials must be kept at a safe distance. It is advised to use fire-proof covering material.
- ▶▶ 2.2.4. Only use heaters in well-ventilated areas. Set-up a suitable open and ventilated area, with the purpose of introducing fresh air from outdoors, in compliance with the current safety standards.
- ▶▶ 2.2.5. Heaters must be powered only with the correct voltage and frequency values as specified on the heater's identification plate.
- ▶▶ 2.2.6. Only use suitable earthed extension cable.
- ▶▶ 2.2.7. The recommended safety distances between heaters and flammable substances are: front output = 2,5 m; side/top/rear output = 1,5 m.
- ▶▶ 2.2.8. Avoid fire hazards by placing the hot or functioning heater on a flat level surface.

- ▶ **2.2.9.** Always keep animals at a safe distance.
- ▶ **2.2.10.** Disconnect the heater from the main power supply when not in use.
- ▶ **2.2.11.** When controlled by a thermostat, the heater can turn on at any time.
- ▶ **2.2.12.** Never use the heater in frequently used rooms or in bedrooms.
- ▶ **2.2.13.** Never block the heater's air inlet (rear) or the air outlet (front).
- ▶ **2.2.14.** Never move, handle, refuel or conduct maintenance on the heater when it is hot or when connected to the power supply or when in operation.
- ▶ **2.2.15.** Only use original kit/hose to direct air flow (in and out) (where applicable).
- ▶ **2.2.16.** Keep heater's hot parts at as safe distance from inflammable materials (including the power supply cable).
- ▶ **2.2.17.** If the power supply cable is damaged, it must be replaced by a technical service centre, in order to prevent further risks.

3. UNPACKING

WARNING: The packaging material is not a toy. Keep the plastic bag out of the reach of children; danger of suffocation!

- ▶ **3.1.** Remove all packaging materials used to wrap and deliver the heater and dispose them in compliance with current regulations.
- ▶ **3.2.** If the heater is placed on a moving platform, make sure it is moved gently.
- ▶ **3.3.** Check for any damage that might have happened during transport. If the heater looks damaged, immediately inform the dealer from which it was purchased.

4. ASSEMBLY

These heaters are fitted with wheels, a handle and a chimney depending on the model (PIC. 5-6). These parts, which come with the relative nuts and bolts, are in the heater's packaging.

5. FUEL

WARNING: The heater only works with DIESEL or KEROSENE.

In order to avoid explosions or any fire hazards, use only diesel or kerosene fuel. Never use petrol, naphtha, paint solvents, alcohol or any other highly inflammable fuels. Non-toxic, anti-freeze additives can be used in case of very low temperatures. It is advisable to use winter diesel below 5°C.

6. OPERATING PRINCIPLES

A. Combustion chamber and burner, **B.** Fan, **C.** Motor, **D.** Pump, **E.** Tank, **F.** Chimney (indirect models).

The pump draws fuel from the tank and brings it to the operating pressure. The fuel is brought to the nozzle that sprays it into the combustion chamber. The combustion is carried out with a mix of air and fuel and the flow of air generated is pushed outside via the rotation of the fan. In direct models (PIC. 7) combustion products flow together with heated air. In indirect models (PIC. 8) combustion products are directed outside through the chimney. A series of sensors connected to an electronic control board constantly keep the correct operation of the heater monitored and stops the cycle in the event of anomalies.

7. OPERATION

WARNING: Carefully read the "SAFETY INFORMATION" before switching on the heater.

IMPORTANT: In models with dual voltage (...DV), check the position of the dual voltage switch (220-240V / 110-120V) (PIC. 9). If the voltage set on the heater does not correspond to the mains supplied voltage, it is necessary to adjust it. Unscrew the two securing screws of the cover (PIC. 10), adjust/press the switch to the correct voltage (PIC. 11) and reassemble the cover (PIC. 12).

VERIFY THE CONGRUENCE BETWEEN POWER TENSION SUPPLY, SETTING OF DUAL VOLTAGE SWITCH AND TYPE OF PLUG, BECAUSE IMPROPER USE MAY CAUSE DAMAGE TO THE HEATER.

- ▶▶ **7.1. SWITCHING ON THE HEATER:**
 - ▶ **7.1.1.** Please follow the safety instructions.
 - ▶ **7.1.2.** Check if there is enough fuel in the tank.
 - ▶ **7.1.3.** Close the tank cup (PIC. 13).
 - ▶ **7.1.4.** Connect the power supply plug to the mains electricity (PIC. 14) (SEE VOLTAGE IN THE "TECHNICAL DATA TABLE").
 - ▶ **7.1.5.** Set the "I/O" switch to "I" (PIC. 15). The heater should turn on within a few seconds. If the heater does not start, refer to paragraph "12. TROUBLESHOOTING".
 - ▶ **7.1.6.** For models with a room thermostat, check the position of the knob (PIC. 16).
- PLEASE NOTE: IF THE HEATER SWITCHES OFF DUE TO LACK OF FUEL, TOP UP THE**

TANK AND RESET THE HEATER (SEE PAR. 7.2.).

IMPORTANT: In indirect models, combustion products are directed outside through suitable chimney. **CARRY OUT THE CHIMNEY IN ACCORDANCE WITH CURRENT SAFETY REGULATIONS AND FOLLOW THE INSTRUCTIONS IN THE RELEVANT SECTION OF THE MANUAL.**

▶▶ 7.2. RESETTING THE HEATER:

The appliance stops when an anomaly occurs. The reset button turns on with a steady red light (PIC. 17), it means the heater needs to be reset. To reset the heater, press the reset button all the way down (PIC. 18). Identify and remove the cause that stopped the appliance (for instance, obstruction of air intake and/or outlet, total block of the fan, etc.). Please contact an appointed service center for assistance in case it is impossible to solve the problem.

▶▶ 7.3. SWITCHING OFF THE HEATER:

Set the "I/O" button to "0" (PIC. 19). Flames extinguish and the fan keeps on working until the combustion chamber has fully cooled down. **Do not pull the plug out until the cooling cycle has totally ended.**

8. CLEANING THE FILTERS

THE FILTERS MAY NEED TO BE CLEANED DEPENDING ON THE QUALITY OF THE FUEL USED.

▶▶ 8.1. FUEL TANK FILTER (PIC. 20):

- ▶ 8.1.1. Remove tank (A) cap.
- ▶ 8.1.2. Take out the filter (B) from the tank.
- ▶ 8.1.3. Clean the filter (B) with clean fuel, without damaging it.
- ▶ 8.1.4. Put the filter (B) back in the tank.
- ▶ 8.1.5. Close cap (A).

▶▶ 8.2. INTAKE FILTER, (PIC. 21) DEPENDING ON THE MODEL:

- ▶ 8.2.1. Take out the filter (A).
- ▶ 8.2.2. Remove the pipe-clamping straps (B).
- ▶ 8.2.3. Take out the pipes (C).
- ▶ 8.2.4. Replace the filter (A) with an original spare part.
- ▶ 8.2.5. Put the pipes (C) back.
- ▶ 8.2.6. Put the pipe-clamping straps (B) back.
- ▶ 8.2.7. Put the filter (A) back into its original position.

▶▶ 8.3. INTAKE FILTER, (PIC. 22) DEPENDING ON THE MODEL:

- ▶ 8.3.1. Remove the cup (A).
- ▶ 8.3.2. Take out the filter (B) from the cup. Keep gaskets for later use.
- ▶ 8.3.3. Clean the filter (B) with clean fuel, without damaging it.
- ▶ 8.3.4. Put the filter (B) back in the cup.
- ▶ 8.3.5. Put the glass (A) back on and reassemble the gaskets correctly.

▶▶ 8.4. FUEL PUMP FILTER:

See the preventive maintenance schedule.

9. STORAGE AND TRANSPORT

WARNING: Before moving the appliance, the heater must be stopped (SEE PAR. 7.3.) and disconnected from the power supply by pulling out the plug (PIC. 23), wait for a complete cool down and close the tank cap properly to prevent fuel leakage. Keep the heater in horizontal and stable position during transport.

IN ORDER TO KEEP THE HEATER IN THE BEST POSSIBLE CONDITIONS, WE RECOMMEND TO FOLLOW THE BELOW PROCEDURE:

- ▶ 9.1. Empty the fuel by removing the drain cap at the bottom of the tank (PIC. 24-25). Dispose the fuel in an appropriate container in accordance with the current safety regulations.
- ▶ 9.2. To remove any residual remaining, pour clean fuel and rinse the tank again.
- ▶ 9.3. Close the drain cap and the tank cap.
- ▶ 9.4. In order to keep the heater in the best possible conditions, we recommend placing it in a dry and safe place.

10. CONNECTING THE ROOM THERMOSTAT

In models with a thermostat connection, remove the cap connected to the appliance and connect the room thermostat (optional) (SEE PIC. 26-27).

WARNING: BEFORE PERFORMING ANY MAINTENANCE OR REPAIRS, UNPLUG HEATER FROM THE MAIN POWER SUPPLY AND MAKE SURE THE HEATER IS TOTALLY COOL.

11. PREVENTIVE MAINTENANCE SCHEDULE

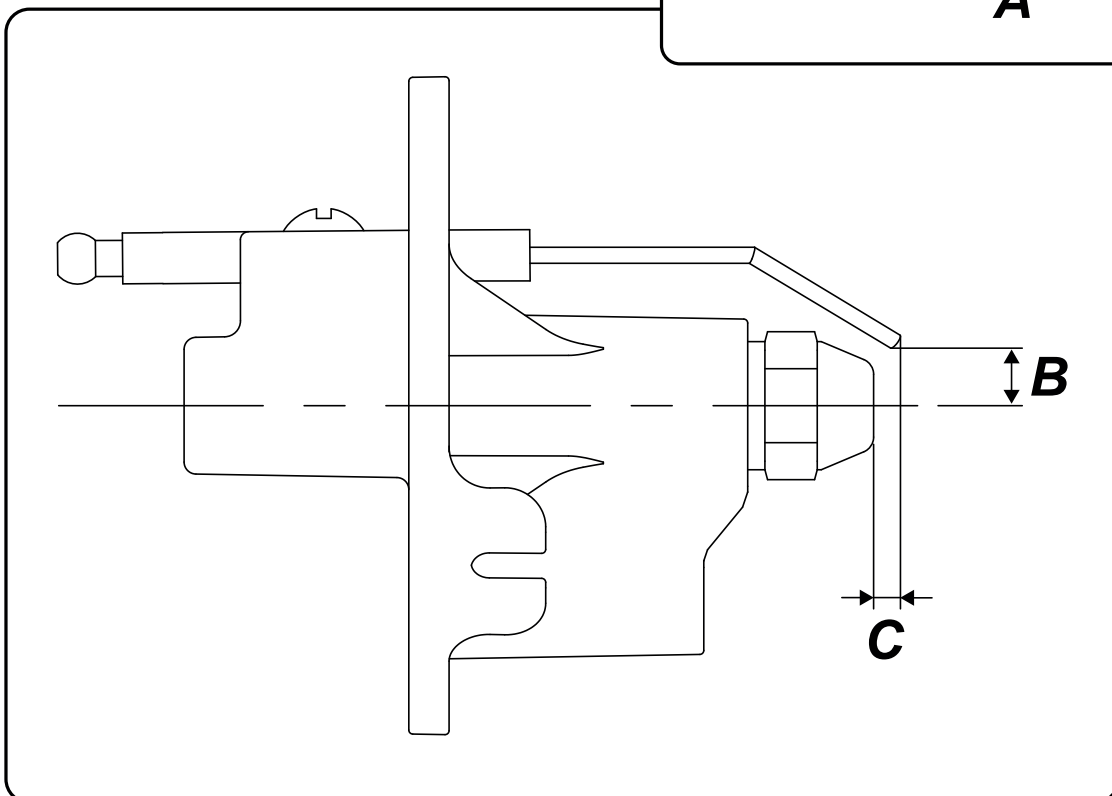
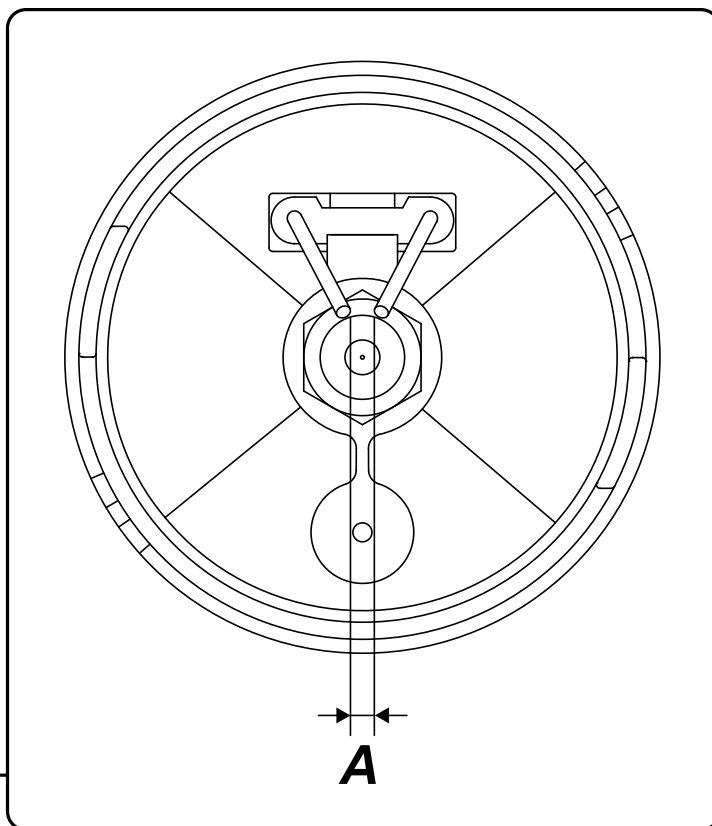
COMPONENT	MAINTENANCE FREQUENCY	MAINTENANCE PROCEDURE
Fuel tank	Clean once a year or as required	Empty and rinse the tank with clean fuel (SEE PAR. 9.)
Filters	Clean or replace once a year or as required (make sure they are intact)	Clean the filters (SEE PAR. 8.)
Fuel pump filter	Clean or replace once a year or as required (make sure they are intact)	Contact a service centre
Electrodes	Clean as required	Contact a service centre
Fan	Clean as required	Contact a service centre
Combustion chamber	Clean as required	Contact a service centre

12. TROUBLESHOOTING

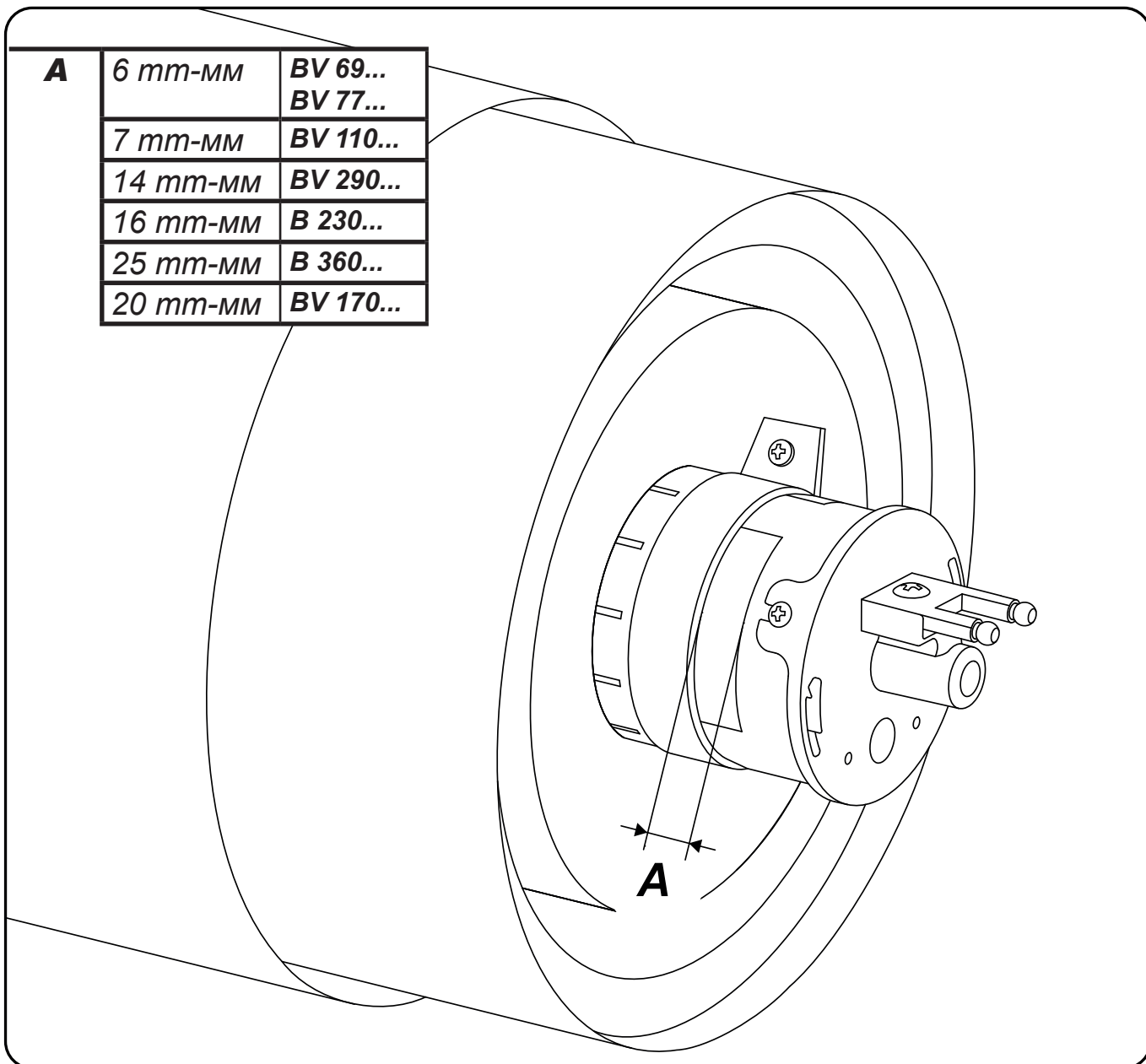
PROBLEM	POSSIBLE CAUSE	POSSIBLE SOLUTION
The heater does not start or does not operate	<ol style="list-style-type: none"> 1. Starter switch in "OFF" (0) position 2. No power supply 3. Power supply cable interrupted 4. Electronic control board blocked or malfunctioning 5. Incorrect setting of the room thermostat (if present) 6. No fuel 7. External substances or dirt in the fuel circuit 	<ol style="list-style-type: none"> 1. Set starter switch to "ON" (I) position (PIC. 15) 2a. Insert the power plug into the mains socket correctly (PIC. 14) 2b. Check voltage of your electric supply system 2c. In dual voltage models (...DV) (PIC. 9), set the switch to the correct voltage position required 3. Contact a service centre 4a. Reset the heater (SEE PAR. 7.2.) 4b. Contact a service centre 4c. Contact a service centre 5. Set the room thermostat to a temperature higher than the working environment temperature (PIC. 16) 6. Top up fuel and reset heater 7a. Empty, rinse and refill the tank 7b. Rinse the filters (SEE PAR. 8.) 7c. Contact a service centre
Smoke while operating	<ol style="list-style-type: none"> 1. External substances or dirt in the fuel circuit 2. Obstructed inlet air vent 	<ol style="list-style-type: none"> 1a. Empty and refill the tank with clean fuel 1b. Rinse fuel filters 1c. Contact a service centre 2. Remove all air vent obstructions
The heater does not turn off	<ol style="list-style-type: none"> 1. Faulty electronic system 	<ol style="list-style-type: none"> 1. Contact a service centre

ELECTRODES REGULATION - REGOLAZIONE ELETTRODI - REGULIERUNG DER ELEKTRODEN - REGULACIÓN DE LOS ELECTRODOS - REGULATION DES ELECTRODES - AFSTELLING ELEKTRODEN - REGULAÇÃO DE ELÉTODOS - REGULERING AF ELEKTRODER - ELEKTRODIEN SÄÄTÖ - REGULERING AV ELEKTRODER - ELEKTRODREGLERING - REGULACJA ELEKTROD - РЕГУЛЯЦИЯ ЭЛЕКТРОДОВ - NASTAVENÍ ELEKTROD - AZ ELEKTRODÁK BEÁLLÍTÁSA - NASTAVITEV ELEKTROD - ELEKTROT AYARI - REGULIRANJE ELEKTRODA - ELEKTRODU REGULIAVIMAS - ELEKTRODU REGULĚŠANA - ELEKTROODIDE REGULEERIMINE - REGLAREA ELECTROZILOR - NASTAVENIE ELEKTROD - РЕГУЛІРАНЕ ЕЛЕКТРОДИ - РЕГУЛЮВАННЯ ЕЛЕКТРОДОВ - KONTROLA ELEKTRODE - ΡΥΘΜΙΣΗ ΗΛΕΚΤΡΟΔΙΩΝ - 电极规定 - ЭЛЕКТРОДТАРДЫ РЕТТЕУ

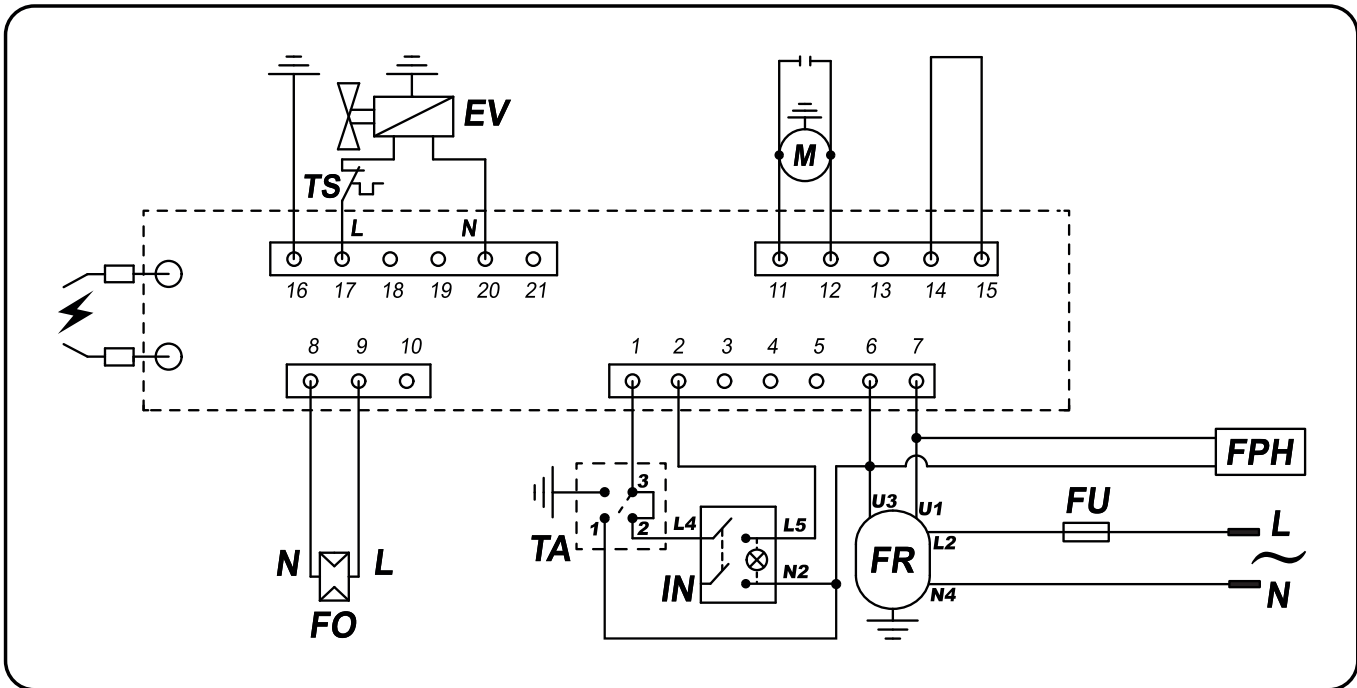
A	3 mm-ММ
B	6 mm-ММ
C	3 mm-ММ



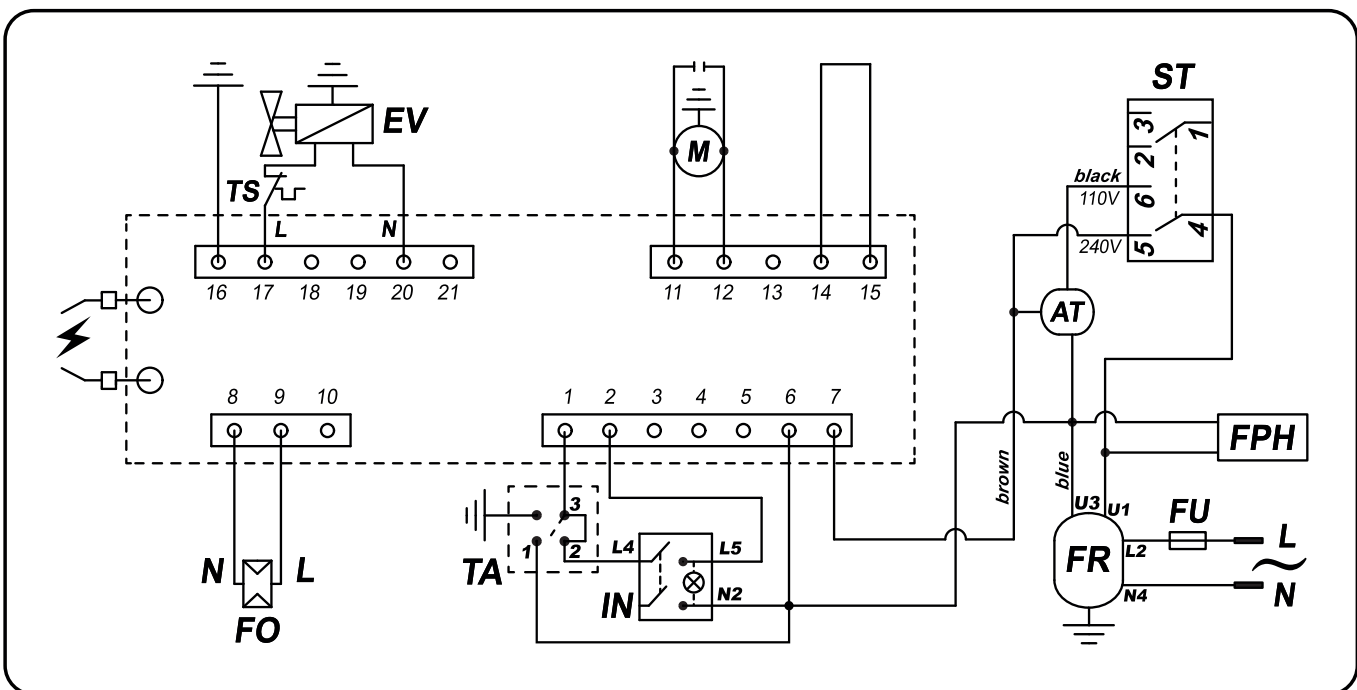
COMBUSTION AIR DAMPER ADJUSTMENT - REGOLAZIONE SERRANDA
ARIA COMBURENTE - LUFTEINLASSREGISTER EINSTELLUNG - REGULA-
CIÓN DE LA COMPUERTA DE AIRE COMBURENTE - RÉGLAGE DU VOLET AIR
COMBURANT - AFSTELLING REGELKLEP VERBRANDINGSLUCHT - REGU-
LAÇÃO DO REGULADOR DE VAZÃO DO AR COMBURENTE - REGULERING AF
LUFTINDTAGSDÆMPNING - PALAMISILMAN SULKIMEN SÄÄTÖ - REGULE-
RING BRANNGASSPJELD - REGLERING AV FÖRBRÄNNINGSLUFTENS SPJÄLL
- REGULACJA SZCZELINY POWIETRZNEJ - РЕГУЛИРОВКА ЗАСЛОНКИ
ВОСПЛАМЕНЯЮЩЕГОСЯ ВОЗДУХА - NASTAVENÍ KLAPKY SPALOVACÍHO
VZDUCHU - ÉGÉSI LEVEGŐ ZSALU SZABÁLYOZÁSA - NASTAVITEV LOPUTE
ZGOREVALNEGA ZRAKA - YANMA HAVASI SÜRGÜSÜ AYARI - PRILAGODBA
ZAKLOPA ZRAKA ZA IZGARANJE - DEGIMO PRODUKTU SKLENĎS RE-
GULIAVIMAS - GAISA IEPLŪDES AIZVERES REGULĒŠANA - PŌLEMISŌHU
AVA REGULEERIMINE - REGLAREA CLAPETEI PENTRU AERUL DE COMBU-
STIE - NASTAVENIE KLAPKY SPALOVACIEHO VZDUCHU - РЕГУЛІРАНЕ
НА ЖАЛУЗИЙНАТА РЕШЕТКА ЗА ГОРИВЕН ВЪЗДУХ - РЕГУЛЮВАННЯ
ЗАСЛІНКИ ДЛЯ ПОВІТРЯ, ЩО ПІДТРИМУЄ ГОРІННЯ - PRILAGODAVANJE
ZAKLOPA ZRAKA ZA SAGORIJEVANJE - ΡΥΘΜΙΣΗ ΤΟΥ ΚΛΕΙΣΤΡΟΥ ΑΕΡΑ
ΚΑΥΣΗΣ - 助燃气体门窗调节 - ЖАНАТЫН АУА ЗАСЛОНКАЛАРЫН РЕТТЕУ



WIRING DIAGRAMS - SCHEMI ELETTRICI - SCHALTPLÄNE - ESQUEMAS ELÉCTRICOS - SCHEMAS ELECTRIQUES - ELEKTRISCHE SCHEMA'S - ESQUEMAS ELÉCTRICOS - ELEKTRISKE SKEMAER - SÄHKÖKAAVIOT - KOPLINGS-SKJEMA - ELEKTRISKA KOPPLINGSSCHEMAN - SCHEMATY ELEKTRYCZNE - ЭЛЕКТРИЧЕСКИЕ СХЕМЫ - ELEKTRICKÁ SCHÉMATA - VILLANYBEKÖTÉSI RAJZOK - ELEKTRIČNE SHEME - ELEKTRİK ŞEMALARI - ELEKTRIČNE SHEME - ELEKTROS SCHEMOS - ELEKTRISKĀS SHĒMAS - ELEKTRISKEEMID - SCHEME ELECTRICHE - ELEKTRICKÉ SCHÉMY - ЕЛЕКТРИЧЕСКИ СХЕМИ - ЕЛЕКТРИЧНИ СХЕМИ - ELEKTRIČNE ŠEME - ΗΛΕΚΤΡΙΚΑ ΣΧΕΔΙΑ - 线路图 - ЭЛЕКТРЛІ СУЛБЕЛЕР



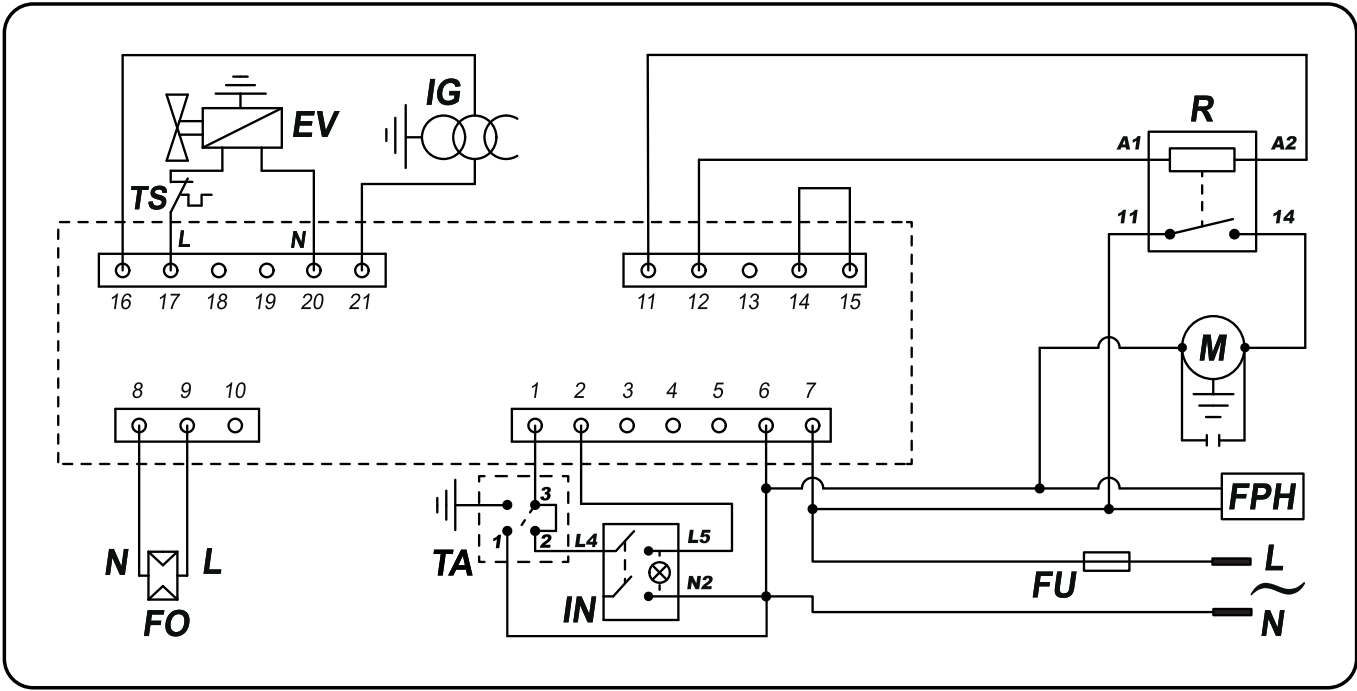
B 130 - B 180 - BV 69E - BV 77E



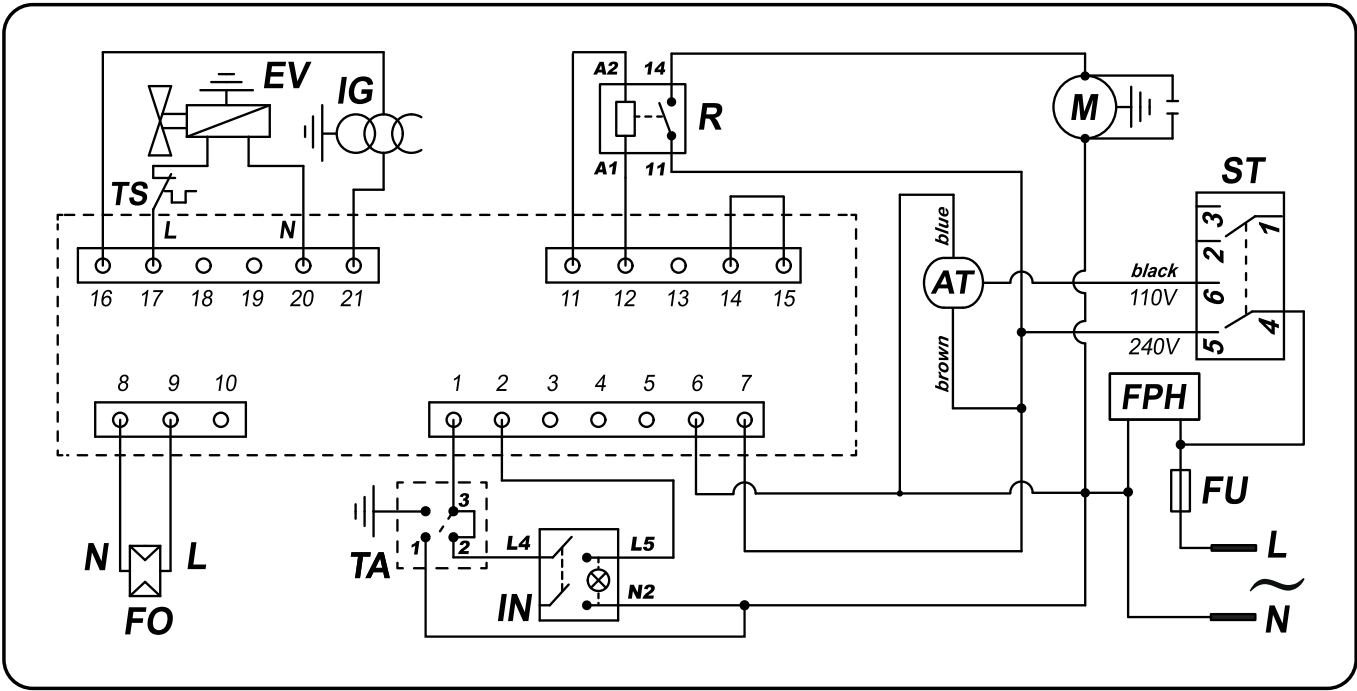
BV 69DV - BV 77DV

TS	Overheat thermostat - Termostato di sicurezza - Sicherheitsthermostat - Termostato de seguridad - Thermostat de sécurité - Veiligheidsthermostaat - Termóstato de segurança - Sikkerhedsthermostat - Turvatermostaatti - Sikkerhetsthermostat - Säkerhetsthermostat - Termostat bezpiecznóstwa - Термостат безопасности - Bezpečnostní termostat - Biztonsági termosztát - Varnostni termostat - Emniyet termostatı - Sigurnosni termostat - Apsauginis termostatas - Drošības termostats - Turvatermostaat - Termostat de siguranță - Varnostni termostat - Предпазен термостат - Термостат безпеки - Bezbjednosni termostat - Θερμοστάτης ασφαλείας - 安全调温器 - Қайыңсідік термостаты
EV	Solenoid valve - Elettrovalvola - Elektroventil - Electroválvula - Électrovalve - Elektroklep - Eletroválvula - Magnetventil - Solenoidiventtiili - Magnetventil - Magnetventil - Zawór elektromagnetyczny - Соленоид - Elektrický ventil - Mágnesszelep - Elektromagnetni ventil - Elektrovalf - Električni ventil - Elektrinis vožtuvas - Elektrovārsts - Solenoidventiil - Electrovalvă - Elektrický ventil - Электроклапан - Электроклапан - Električni ventil - Ηλεκτροβαλβίδα - 电磁阀 - Соленоид
IG	Transformer - Trasformatore - Transformator - Transformador - Transformateur - Transformator - Transformador - Trans-former - Muuntaja - Transformator - Transformator - Transformator - Трансформатор - Transformátor - Transzformátor - Transformator - Transformator - Transformator - Transformatorius - Trasformators - Trafo - Transformator - Trans-formátor - Трансформатор - Трансформатор - Transformator - Μετασχηματιστής - 变压器 - Трансформатор
IN	Switch - Interruttore - Schalter - Interruptor - Interrupteur - Schakelaar - Interruptor - Afbryder - Katkaisin - Bryter - Brytare - Włącznik - Включатель - Vurpinač - Kapcsoló - Stikalo - Açma kapama düğmesi - Prekidač - Jungiklis - Slėdzis - Lüliiti - Întrerupător - Vurpinač - Прекъсвач - Вимикач - Prekidač - Διακόπτης - 开关 - Қосқыш
R	Relay - Relè - Relais - Relé - Relais - Relais - Relé - Relæ - Rele - Relè - Relä - Przekaźnik - Реле - Relé - Relé - Relé - Röle - Relej - Relè - Relejs - Relee - Releu - Relé - Реле - Реле - Relej - Ρελέ - 继电器 - Relay
M	Motor - Motore - Motor - Motor - Moteur - Motor - Motor - Motor - Mootori - Motor - Motor - Silnik - Двигатель - Motor - Motor - Motor - Motor - Motor - Variklis - Dzinējs - Mootor - Motor - Motor - Двигател - Двигун - Motor - Κινητήρας - 电机 - Тежеріш
FPH	Fuel pre-heater - Filtro pre-riscaldamento - Vorwärmfilter - Filtro pre-calentamiento - Filtre préchauffage - Filter voorverwarming - Filtro pré-aquecido - Forvarmingsfilter - Esilämmityksen suodatin - Filter forvarming - Föruppvärmningsfilter - Podgrzewacz paliwa z filtrem - Фильтр предварительного нагрева - Filtr předeřevu - Előmelegítő szűrő - Filter za pred-ogrevanje - Ön isitma filtresi - Filtar za predzagrijavanje - Pirminio šildymo filtras - Iepriekšējās sildīšanas filtrs - Eelsoojenduse filter - Filtru pre-încălzire - Filter predohvevu - Филтър за предварително загряване - Филтър попереднього нагрівання - Filter za predzagrijavanje - Φίλτρο προθέρμανσης - 预热过滤装置 - Алдын ала фильтри
FU	Fuse - Fusibile - Schmelzsicherung - Fusibile - Fusée - Veiligheid - Fusivel - Sikring - Sulake - Fuse - Säkring - Bezpiecznik - Предохранитель - Pojistka - Biztosíték - Fuse - Sigorta - Osigurač - Saugiklių - Drošinātājs - Kaitse - Siguranță - Poistka - Предпазител - Запобіжник - Fuse - Ασφάλεια - 保险丝 - Сақтандырғыш
TA	Room thermostat - Termostato ambiente - Raumthermostat - Termostato ambiente - Thermostat d'ambiance - Omgevingsthermostaat - Termóstato ambiente - Rumtermostat - Huonetermostaatti - Romtermostat - Rumstermostat - Termostat pomieszczeniowy - Комнатный термостат - Termostat prostředí - Szobatermosztát - Sobni termostat - Oda termostati - Ambijentalni termostat - Aplinkos termostatas - Vides termostats - Ümbritseva keskkonna termostaat - Termostat ambiental - Termostat prostredia - Ресет - Термостат температури зовнішнього середовища - Ambijentalni termostat - Θερμοστάτης περιβάλλοντος - 温控器 - Бөлме термостаты
FO	Photoresistance - Fotoresisteza - Fotowiderstand - Fotorresistencia - Photorésistance - Fotoweerstand - Foto-resistência - Fotomodstand - Valovastus - Fotomotstand - Fotomotstånd - Fotokomórka - Фоторезистор - Fotoelektrický odpor - Fotócella ellenállás - Fotoupor - Fotorezistans - Fotootpornost - Fotorezistorius - Fotorezistors - Fototakisti - Fotorezistență - Fotoelektrický odpor - Фоторезистор - Розпалювач - Fotootpornik - Φωτοαντίσταση - 光电感应器 - Фоторезистор
FR	Filter noise - Filtro rete - Netzfilter - Filtro red - Filtre réseau - Netfilter - Filtro de rede - Netværksfilter - Verkon suodatin - Netfilter - Nätfiler - Filtr sieciowy - Сетевой фильтр - Síťový filtr - Hálózati szűrő - Mrežni filter - Ağ filtresi - Filtar mreže - Tinklo filtras - Filtru tīkls - Vörgu filter - Filtru rețea - Sieťový filter - Филтър мрежа - Мережний фільтр - Filter mreže - Φίλτρο δικτύου - 过滤器网 - Желі фильтри
L	Line - Linea - Leitung - Línea - Ligne - Lijn - Linha - Linje - Linja - Linje - Linje - Przewód fazowy - Линия - Linka - Sor - Linija - Hat - Linija - Linija - Liniya - Liin - Linie - Linka - Линия - Фаза - Linija - Γραμμή - 线 - Сызык
N	Neutral - Neutro - Nullleiter - Neutro - Neutre - Neutraal - Neutro - Neutral - Neutraali - Nøytral - Noll - Przewód neutralny - Нейтраль - Neutrální - Semleges - Neutralni vod - Nötr - Neutralna - Neutralus - Neitrāls - Neutraal - Nul - Neutrál - Неутрално - Нейтраль - Neutralna - Ουδέτερο - 零线 - Нейтраль
ST	Dual-voltage switch - Interruttore cambiatensione - Spannungswahlschalter - Interruptor de cambio de tensión - Interrupteur changeur de tension - Schakelaar voor omschakeling spanning - Interruptor para modificar a tensão - Spänningsväxlgger - Jännitteen vaihdon kytkin - Bryter spenningsvalg - Spänningsomkopplare - Przełącznik napięcia - Переключатель напряжения - Přepínač napětí - Feszültségváltó kapcsoló - Stikalo za spremembo napetosti - Gerilim deęiřtirme düğmesi - Prekidač za promjenu napona - Įtampoms keitimui jungiklis - Sprieguma selektora slėdzis - Pinge reguleerimise lüliiti - Întrerupător de schimbare a tensiunii - Přepínač napätia - Прекъсвач за смяна на напрежение - Перемикач напруги - Prekidač za promjenu napona - Διακόπτης αλλαγής τάσης - 电压交换开关 - Кернеуді ауыстырғыш
AT	Autotransformer - Autotrasformatore - Autotransformator - Autotransformador - Autotransformateur - Autotransformator - Autotransformador - Autotransformer - Automaattimuuntaja - Autotransformator - Autotransformator - Autotransformator - Автотрансформатор - Autotransformátor - Autotranszformátor - Autotransformator - Oto-transformátor - Autotransformator - Autotransformatorius - Autotrasformators - Autotrafo - Autotransformator - Autotransformátor - Автотрансформатор - Автотрансформатор - Autotransformator - Αυτομετασχηματιστής - 自动转换器 - Автотрансформатор

WIRING DIAGRAMS - SCHEMI ELETTRICI - SCHALTPLÄNE - ESQUEMAS ELÉCTRICOS - SCHEMAS ELECTRIQUES - ELEKTRISCHE SCHEMA'S - ESQUEMAS ELÉCTRICOS - ELEKTRISKE SKEMAER - SÄHKÖKAAVIOT - KOPLINGS-SKJEMA - ELEKTRISKA KOPPLINGSSCHEMAN - SCHEMATY ELEKTRYCZNE - ЭЛЕКТРИЧЕСКИЕ СХЕМЫ - ELEKTRICKÁ SCHÉMATA - VILLANYBEKÖTÉSI RAJZOK - ELEKTRIČNE SHEME - ELEKTRİK ŞEMALARI - ELEKTRIČNE SHEME - ELEKTROS SCHEMAS - ELEKTRISKĀS SHĒMAS - ELEKTRISKEEMID - SCHEME ELECTRICHE - ELEKTRICKÉ SCHÉMY - ЕЛЕКТРИЧЕСКИ СХЕМИ - ЕЛЕКТРИЧНИ СХЕМИ - ELEKTRIČNE ŠEME - ΗΛΕΚΤΡΙΚΑ ΣΧΕΔΙΑ - 线路图 - ЭЛЕКТРЛІ СУЛБЕЛЕР



B 230 - B 360 - BV 110E - BV 170E - BV 290E



B 230DV - B 360DV - BV 110DV - BV 170DV - BV 290DV

TS	Overheat thermostat - Termostato di sicurezza - Sicherheitsthermostat - Termostato de seguridad - Thermostat de sécurité - Veiligheidsthermostaat - Termóstato de segurança - Sikkerhedsthermostat - Turvatermostaatti - Sikkerhetsthermostat - Säkerhetsthermostat - Termostat bezpieczeństwa - Термостат безопасности - Bezpečnostní termostat - Biztonsági termosztát - Varnostni termostat - Emniyet termostatı - Sigurnosni termostat - Apsauginis termostatas - Drošības termostats - Turvatermostaat - Termostat de siguranță - Varnostni termostat - Предпазен термостат - Термостат безпеки - Bezbjednosni termostat - Θερμοστάτης ασφαλείας - 安全调温器 - Қауіпсіздік термостаты
EV	Solenoid valve - Elettrovalvola - Elektroventil - Electroválvula - Électrovalve - Elektroklep - Eletroválvula - Magnetventil - Solenoidiventtiili - Magnetventil - Magnetventil - Zawór elektromagnetyczny - Соленоид - Elektrický ventil - Mágnesszelep - Elektromagnetni ventil - Elektrovalf - Električni ventil - Elektrinis vožtuvas - Elektrovārsts - Solenoidventiil - Electrovalvă - Elektrický ventil - Электроклапан - Электроклапан - Električni ventil - Ηλεκτροβελβίδα - 电磁阀 - Соленоид
IG	Transformer - Trasformatore - Transformator - Transformador - Transformateur - Transformator - Transformador - Transformator - Muuntaja - Transformator - Transformator - Transformator - Трансформатор - Transformátor - Transzformátor - Transformator - Transformator - Transformator - Transformatorius - Trasformators - Trafo - Transformator - Transzformátor - Трансформатор - Трансформатор - Transformator - Μετασχηματιστής - 变压器 - Трансформатор
IN	Switch - Interruttore - Schalter - Interruptor - Interrupteur - Schakelaar - Interruptor - Afbryder - Katkaisin - Bryter - Brytare - Włącznik - Включатель - Vurpinač - Kapcsoló - Stikalo - Açma kapama düğmesi - Prekidač - Jungiklis - Slēdzis - Lüliiti - Įntreupātor - Vurpinač - Прекъсвач - Вимикач - Prekidač - Διακόπτης - 开关 - Қосқыш
R	Relay - Relè - Relais - Relé - Relais - Relais - Relé - Relæ - Rele - Relè - Relä - Przekaznik - Реле - Relé - Relé - Relé - Röle - Relej - Relè - Relejs - Relee - Releu - Relé - Реле - Реле - Relej - Ρελέ - 继电器 - Relay
M	Motor - Motore - Motor - Motor - Moteur - Motor - Motor - Motor - Moottori - Motor - Motor - Silnik - Двигатель - Motor - Motor - Motor - Motor - Motor - Variklis - Dzinējs - Mootor - Motor - Motor - Двигател - Двигун - Motor - Κινητήρας - 电机 - Тежеріш
FPH	Fuel pre-heater - Filtro pre-riscaldamento - Vorwärmfilter - Filtro pre-calentamiento - Filtre préchauffage - Filter voorverwarming - Filtro pré-aquecido - Forvarmningsfilter - Esilämmityksen suodatin - Filter forvarming - Föruppvärmningsfilter - Podgrzewacz paliwa z filtrem - Фильтр предварительного нагрева - Filtr přehřevu - Előmelegítő szűrő - Filter za pred-ogrevanje - Ön isitma filtresi - Filtar za predzagrijavanje - Pirminio šildymo filtras - Iepriekšējās sildīšanas filtrs - Eelsoojenduse filter - Filtru pre-încălzire - Filter predohvevu - Филтър за предварително загряване - Фильтр попереднього нагрівання - Filter za predzagrijavanje - Φίλτρο προθέρμανσης - 预热过滤装置 - Алдын ала фильтри
FU	Fuse - Fusible - Schmelzsicherung - Fusibile - Fusée - Veiligheid - Fusível - Sikring - Sulake - Fuse - Säkring - Bezpiecznik - Предохранитель - Pojistka - Biztosíték - Fuse - Sigorta - Osigurač - Saugiklių - Drošinātājs - Kaitse - Siguranță - Poistka - Предпазител - Запобіжник - Fuse - Ασφάλεια - 保险丝 - Сақтандырғыш
TA	Room thermostat - Termostato ambiente - Raumthermostat - Termostato ambiente - Thermostat d'ambiance - Omgevingsthermostaat - Termóstato ambiente - Rumtermostat - Huonetermostaatti - Romtermostat - Rumstermostat - Termostat pomieszczeniowy - Комнатный термостат - Termostat prostředí - Szobatermostát - Sobni termostat - Oda termostati - Ambientalni termostat - Aplinkos termostatas - Vides termostats - Ümbritseva keskkonna termostaat - Termostat ambiental - Termostat prostredia - Ресет - Термостат температури зовнішнього середовища - Ambientalni termostat - Θερμοστάτης περιβάλλοντος - 温控器 - Бөлме термостаты
FO	Photoresistance - Fotoresisteza - Fotowiderstand - Fotorresistencia - Photorésistance - Fotoweerstand - Foto-resistência - Fotomodstand - Valovastus - Fotomotstand - Fotomotstånd - Fotokomórka - Фоторезистор - Fotoelektrický odpor - Fotócella ellenállás - Fotoupor - Fotorezistans - Fotootpornost - Fotorezistorius - Fotorezistors - Fototakisti - Fotorezistență - Fotoelektrický odpor - Фоторезистор - Розпалювач - Fotootpornik - Φωτοαντίσταση - 光电感应器 - Фоторезистор
FR	Filter noise - Filtro rete - Netzfilter - Filtro red - Filtre réseau - Netfilter - Filtro de rede - Netværksfilter - Verkon suodatin - Netfilter - Nätfiler - Filtr sieciowy - Сетевой фильтр - Síťový filtr - Hálózati szűrő - Mrežni filter - Ağ filtresi - Filtar mreže - Tinklo filtras - Filtru tīkls - Vörgu filter - Filtru rețea - Sieťový filter - Филтър мрежа - Мережний фільтр - Filter mreže - Φίλτρο δικτύου - 过滤器网 - Желі фильтри
L	Line - Linea - Leitung - Línea - Ligne - Lijn - Linha - Linje - Linja - Linje - Linje - Przewód fazowy - Линия - Linka - Sor - Linija - Hat - Linija - Linija - Liniya - Liin - Linie - Linka - Линия - Фаза - Linija - Γραμμή - 线 - Сызык
N	Neutral - Neutro - Nullleiter - Neutro - Neutre - Neutraal - Neutro - Neutral - Neutraali - Nøytral - Noll - Przewód neutralny - Нейтраль - Neutrální - Semleges - Neutraini vod - Nötr - Neutralna - Neutralus - Neitrāls - Neutraal - Nul - Neutrál - Неутрално - Нейтраль - Neutralna - Ουδέτερο - 零线 - Нейтраль
ST	Dual-voltage switch - Interruttore cambiatensione - Spannungswahlschalter - Interruptor de cambio de tensión - Interrupteur changeur de tension - Schakelaar voor omschakeling spanning - Interruptor para modificar a tensão - Spændingsvælger - Jännitteen vaihdon kytkin - Bryter spenningsvalg - Spänningsomkopplare - Przełącznik napięcia - Переключатель напряжения - Přepínač napětí - Feszültségváltó kapcsoló - Stikalo za spremembo napetosti - Gerilim değiştirme düğmesi - Prekidač za promjenu napona - Įtampoms keitimo jungiklis - Sprieguma selektora slēdzis - Pinge reguleerimise lüliiti - Įntreupātor de schimbare a tensiunii - Přepínač napätia - Прекъсвач за смяна на напрежение - Перемикач напруги - Prekidač za promjenu napona - Διακόπτης αλλαγής τάσης - 电压交换开关 - Кернеуді ауыстырғыш
AT	Autotransformer - Autotrasformatore - Autotransformator - Autotransformador - Autotransformateur - Autotransformator - Autotransformador - Autotransformer - Automaattimuuntaja - Autotransformator - Autotransformator - Autotransformator - Автотрансформатор - Autotransformátor - Autotranszformátor - Autotransformator - Oto-transformátor - Autotransformator - Autotransformatorius - Autotrasformators - Autotrafo - Autotransformator - Autotransformátor - Автотрансформатор - Автотрансформатор - Autotransformator - Αυτομετασχηματιστής - 自动转换器 - Автотрансформатор

WHEELS ALTERNATIVE POSITION - POSIZIONE ALTERNATIVA DELLE RUOTE POSITIONS POSSIBLES DES ROUES - ALTERNATIVE RÄDERSTELLUNG

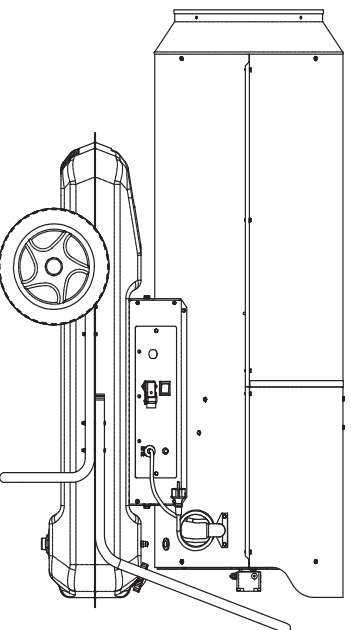
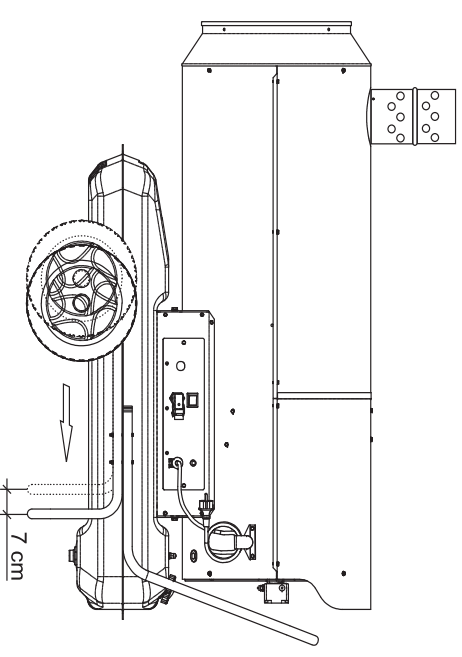


**RESTORE WHEELS ON
POSITION 1 BEFORE
STARTING REPLACING THE MOTOR**

**PRIMA DI ESEGUIRE QUALSIASI
MANUTENZIONE RIPORTARE
LE RUOTE IN POSIZIONE 1**

**REPOSITIONNEZ LES ROUES
EN POSITION 1 AVANT DE
DÉPLACER LE MOTEUR**

**VOR REPARATUREN RÄDER AN
POSITION 1 RÜCKEN**



WHEELS POSITION 1 - POSIZIONE RUOTE 1 - ROUES EN POSITION 1 - RÄDERSTELLUNG 1

Easy movement with empty or half load tank. This position will allow any kind of maintenance. Not suitable for substantial movement with full load tank.

Questa posizione permette un facile spostamento o manutenzione se il serbatoio non supera la metà di carico.

Cette position vous permettra des mouvements et un entretien facile, mais seulement si le réservoir est vide ou à moitié rempli.

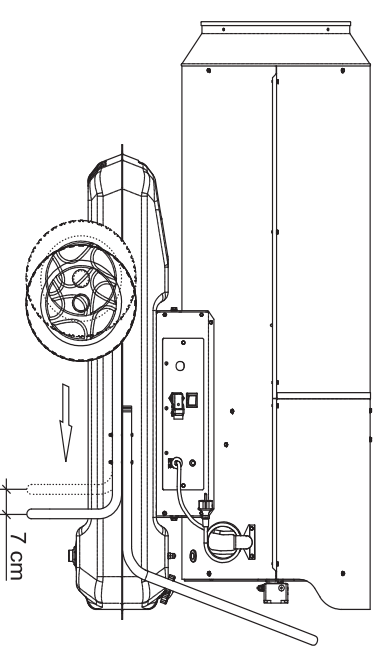
Einfache Bewegung mit leerem oder halb vollem Tank.

WHEELS POSITION 2 - POSIZIONE RUOTE 2 - ROUES EN POSITION 1 - RÄDERSTELLUNG 1

Easy movement with full load tank. Questa posizione permette un facile spostamento se il serbatoio è a pieno carico.

Cette position vous permettra des mouvements faciles si le réservoir est complètement rempli.

Einfache Bewegung mit vollem Tank.



CE CONFORMITY CERTIFICATE



CE CONFORMITY CERTIFICATE - DICHIARAZIONE DI CONFORMITÀ CE - EG-KONFORMITÄTSEKTLÄRUNG - DECLARACIÓN DE CONFORMIDAD CE - DECLARATION DE CONFORMITE CE - EG-CONFORMITEITVERKLARING - DECLARAÇÃO DE CONFORMIDADE CE - EU-OVERENSSTEMMELSESERKLÆRING - EY-VAATIMUSTENMUKAISUUSVAKUUTUS - CE-SAMSVARERKLÆRING - EG-FÖRSÄKRAN OM ÖVERENSSTÄMMELSE - DEKLARACJA ZGODNOŚCI WE - ДЕКЛАРАЦИЯ О СООТВЕТСТВИИ CE - PROHLÁŠENÍ O SHODĚ CE - EK MEGFELELŐSÉGI NYILATKOZAT - IZJAVA O SKLADNOSTI IN OZNAKA CE - CE UYGUNLUK BEYANI - IZJAVA CE O SUKLADNOSTI - ES ATITIKTIES DEKLARACIJA - EK ATBILSTĪBAS - DEKLARĀCIJA - EÜ VASTAVUSDEKLARATSIOON - DECLARAȚIE DE CONFORMITATE CE - PREHLÁSENIE O ZHODE CE - ДЕКЛАРАЦИЯ ЗА СЪВМЕСТИМОСТ CE - ДЕКЛАРАЦИЯ ВІДПОВІДНОСТІ CE - IZJAVA CE O PRIKLADNOSTI ΔΗΛΩΣΗ ΣΥΜΜΟΡΦΩΣΗΣ CE - CE 符合性声明

DANTHERM S.p.A. Via Gardesana 11, -37010- Pastrengo (VR), ITALY

Product: - Prodotto: - Produkt: - Producto: - Produit: - Product: - Produto: - Produkt: - Tuote: - Produkt: - Produkt: - Produkt: - Изделие: - Výrobek: - Termék: - Izdelek: - Ürün: - Proizvod: - Gaminy: - Ieīce: - Toode: - Produsul: - Výrobok: - Продукт: - Виріб: - Proizvod: - Προϊόν: - 产品:

**B 130 - B 180 - B 230 - B 360 - B 230DV - B 360DV -
BV 69E - BV 77E - BV 69DV - BV 77DV -
BV 110E - BV 170E - BV 290E - BV 110DV - BV 170DV - BV 290DV**

We declare that it is compliant with: - Si dichiara che è conforme a: - Es wird als konform mit den folgenden Normen erklärt: - Se declara que está en conformidad con: - Nous déclarons sa conformité à: - Hierbij wordt verklaard dat het product conform is met: - Declara-se que está em conformidade com: - Vi erklærer at produktet er i overensstemmelse med: - Vakuutetaan olevan yhdenmukainen: - Man erklærer at apparatet er i overensstemmelse med: - Härmed intygas det att produkten är förenlig med följande: - Oświadczam, że jest zgodny z: - Заявляем о соответствии требованиям: - Prohlašuje se, že je v souladu s: - Kijelentjük, hogy a termék megfelel az alábbiaknak: - Izpolnjuje zahteve: - Aşağıdaki standartlara uygun olduğunu beyan ederiz: - Izjavljuje se da je u skladu s: - Pareiškiame, kad atitinka: - Tiek deklarēts, ka atbilst: - Käesolevaga deklareeritakse, et toode vastab: - Declarăm că este conform următoarelor: - Prehlasuje sa, že je v súlade s: - Декларира се че отговаря на: - Відповідає вимогам: - Izjavljuje se da je u skladu s: - Δηλώνουμε ότι είναι σύμφωνο με: - 兹证明符合:

2014/30/EU, 2014/35/EU

**EN 62233:2008, EN 61000-3-2:2014, EN 61000-3-3:2013, EN 55014-1:2006/
A2:2011, EN 55014-2:2015, EN 60335-1:2012/A11:2014, EN 60335-2-
102:2016**

Pastrengo, 2019

Stefano Verani (Member of the Board)

► en - DISPOSAL OF THE PRODUCT

-This product has been designed and manufactured with top-quality materials and components, which can be re-cycled and re-used. When a crossed-wheely bin symbol is attached to the product, it means that the product is protected by the, 2012/19/UE European Directive.

-Please obtain information regarding the local differentiated collection system for electrical and electronic products.

-Respect local Standards in force and do not dispose of old products as normal domestic waste. Correct disposal of the product helps to prevent possible negative consequences for health, the environment and mankind.

► it - SMALTIMENTO DEL PRODOTTO

-Questo prodotto è stato progettato e fabbricato con materiali e componenti di alta qualità, che possono essere riciclati e riutilizzati.

-Quando ad un prodotto è attaccato il simbolo del bidone con le ruote segnato da una croce, significa che il prodotto è tutelato dalla Direttiva Europea 2012/19/UE.

-Si prega di informarsi in merito al sistema locale di raccolta differenziata per i prodotti elettrici ed elettronici.

-Rispettare le norme locali in vigore e non smaltire i prodotti vecchi nei normali rifiuti domestici. Il corretto smaltimento del prodotto aiuta ad evitare possibili conseguenze negative per la salute dell'ambiente e dell'uomo.

► de - ENTSORGUNG DES PRODUKTS

-Dieses Produkt wurde unter Verwendung von Qualitätsmaterialien und -bauteilen entwickelt und hergestellt, die recycelt und wieder verwendet werden können.

-Ist ein Produkt gekennzeichnet durch die Mülltonne mit Rädern und einem Kreuz, wird hier angezeigt, dass dieses Produkt durch die europäische Direktive 2012/19/UE überwacht ist.

-Es wird gebeten, sich über die vor Ort bestehende Mülltrennung bezüglich elektrischer und elektronischer Produkte zu informieren.

-Die vor Ort geltenden Vorschriften zur Müllentsorgung müssen eingehalten werden und alte Produkte dürfen nicht zusammen mit dem Hausmüll entsorgt werden. Die ordnungsgemäße Entsorgung des Produkts hilft mögliche negative Folgen für Gesundheit und Umwelt zu vermeiden.

► es - ELIMINACIÓN DEL PRODUCTO

-Este producto ha sido diseñado y fabricado con materiales y componentes de alta calidad que se pueden reciclar y reutilizar.

-Cuando en el producto se encuentra el símbolo del contenedor con las ruedas tachado con una cruz, significa que el producto está tutelado por la Directiva europea 2012/19/UE.

-Se ruega informarse acerca del sistema local de recogida selectiva para los productos eléctricos y electrónicos.

-Respete las normas locales vigentes y no elimine los productos viejos junto con los residuos domésticos normales. La eliminación correcta del producto ayuda a evitar posibles consecuencias negativas para la salud del ambiente y del hombre.

► fr - SE DÉBARRASSER DE VOTRE PRODUIT USAGÉ

-Ce produit a été conçu et fabriqué avec des matériaux et des composants de haute qualité, qui peuvent être recyclés et utilisés de nouveau.

-Lorsque le symbole d'une poubelle à roue barrée est appliqué à un produit, cela signifie que le produit est couvert par la Directive Européenne 2012/19/UE.

-Veuillez vous informer du système local de séparation des déchets électriques et électroniques.

-Veuillez agir selon les règles locale set ne pas jeter vos produits usagés avec les déchets domestiques usuels. Jeter correctement votre produit usagé aidera à prévenir les conséquences négatives potentielles contre l'environnement et la santé humaine.

► nl - VERWIJDERING VAN HET PRODUCT

-Dit product werd ontworpen en gemaakt met hoogwaardige materialen en componenten, die gerecycleerd en herbruikt kunnen worden.

-Wanneer op een product het symbool van de afvalbak op wielen met een kruis erdoor is aangebracht, betekent dit dat het product valt onder de Europese Richtlijn 2012/19/UE.

-Gelieve inlichtingen in te winnen betreffende het plaatselijke systeem voor gedifferentieerde inzameling van elektrische en elektronische toestellen.

-Respecteer de plaatselijke normen die van kracht zijn, en verwijder de oude toestellen niet als gewoon huishoudelijk afval. Een correcte verwijdering van het product helpt om mogelijke negatieve gevolgen voor de gezondheid van mens en milieu te voorkomen.

► pt - ELIMINAÇÃO DO PRODUTO

-Este produto foi projetado e fabricado com materiais e componentes de alta qualidade que podem ser reciclados e reutilizados.

-Quando for afixado em um produto o símbolo do bidão com rodas marcado com uma cruz, significa que o produto é protegido pela Diretiva Europeia 2012/19/UE.

-Solicitamos informar-se sobre o sistema local de recolha diferenciada para os produtos elétricos e eletrônicos.

-Respeitar as normas locais em vigor e não eliminar os produtos antigos como normais detritos domésticos. A correta eliminação do produto ajuda a evitar possíveis consequências negativas para a saúde do ambiente e do homem.

► da - BORTSKAFFELSE

- Dette produkt er designet og fremstillet med materialer og dele af høj kvalitet, der kan genanvendes.
- Når et produkt er mærket med symbolet, der viser en affaldsspand på hjul med et kryds over, betyder det, at produktet er beskyttet af EF-Direktiv 2012/19/UE.
- Der henstilles til, at man informerer sig angående det lokale affaldssorteringssystem for elektriske og elektroniske produkter.
- De gældende lokale regler skal overholdes, og de gamle produkter må ikke bortskaffes sammen med husholdningsaffaldet. Ved at bortskaffe dette produkt korrekt, medvirker De til at forhindre eventuelle negative påvirkninger af miljøet og folkesundheden.

► fi - TUOTTEEN HÄVITTÄMINEN

- Tämä tuote on suunniteltu ja valmistettu korkealaatuisia materiaaleja ja osia käyttämällä, jotka voidaan kierrättää ja käyttää uudelleen.
- Kun tuotteeseen on kiinnitetty viivattu roskasäiliön merkki, se tarkoittaa, että tuotetta suojaa Euroopan yhteisön direktiivi 2012/19/UE.
- Hanki tietoja paikallisesta sähkö- ja elektroniikkaromujen erilliskeräyksestä.
- Noudata voimassa oleva määräyksiä äläkä hävitä vanhoja tuotteita kotitalousjätteiden mukana. Tuotteen oikea hävittäminen auttaa suojelemaan luontoa ja välttää väärän romutuksen aiheuttamien terveysriskien syntymistä.

► no - AVFALLSHÅNTERING

- Dette produktet er utformet og produsert med materialer og deler av høy kvalitet, og som kan gjenvinnes.
- Når det på et produkt finnes et symbol som forestiller en avfallsbeholder med et kryss over, betyr dette at produktet er underlagt EU-direktiv 2012/19/UE.
- Vennligst informer dere angående de lokale reglene som gjelder kassering av elektrisk og elektronisk avfall.
- Ta hensyn til gjeldende regelverk og ikke kast gamle produkter sammen med husholdningsavfall. Riktig avfallshåndtering av produktet bidrar til å unngå potensielle negative konsekvenser for miljøet og menneskenes helse.

► sv - PRODUKTENS BORTSKAFFANDE

- Den här produkten har projekterats och tillverkats med material och komponenter av hög kvalitet som kan återvinnas och återanvändas.
- När ett klistermärke med en symbol med överkorsad soptunna med hjul sitter på produkten, betyder detta att produkten är skyddad av Eu-direktiv 2012/19/UE.
- Vi ber er inhämta upplysningar vid er lokala återvinningsstation för elektriska och elektroniska produkter.
- Följ lokala gällande bestämmelser och skaffa inte bort förbrukade produkter i det vanliga hushållsavfallet. Ett korrekt bortskaffande av produkten hjälper till att undvika möjliga negativa effekter på miljö- och människohälsa.

► pl - UTYLIZACJA PRODUKTU

- Niniejszy produkt został wyprodukowany z najwyższej jakości materiałów, które mogą być poddane recyklingowi i zostać ponownie użyte.
- Symbol przekreślonego kosza na śmieci umieszczony na sprzęcie, opakowaniu lub dokumentach do niego dołączonych oznacza, że produktu nie wolno wyrzucać łącznie z innymi odpadami. Obowiązkiem użytkownika jest przekazanie zużytego sprzętu do wyznaczonego punktu zbiórki w celu właściwego jego przetworzenia. Oznakowanie oznacza jednocześnie, że sprzęt został wprowadzony do obrotu po dniu 13 sierpnia 2005 r.
- Należy zapoznać się z lokalnym systemem zbiórki produktów elektronicznych i elektrycznych.
- Informacje o dostępnym systemie zbierania zużytego sprzętu elektrycznego można znaleźć w punkcie informacyjnym sklepu oraz w urzędzie miasta/gminy.
- Odpowiednie postępowanie ze użytym sprzętem zapobiega negatywnym konsekwencjom dla środowiska i ludzkiego zdrowia!

► cs - LIKVIDACE VÝROBKU

- Tento výrobek byl navržen a vyroben z vysoce kvalitních materiálů a komponentů, které lze recyklovat a znovu použít.
- Je-li na výrobku symbol přeškrtnutého kontejneru, znamená to, že na výrobek se vztahuje Evropská Směrnice 2012/19/UE.
- Informujte se o místním systému pro oddělený sběr elektrických a elektronických výrobků.
- Dodržujte místní předpisy a nelikvidujte staré produkty spolu s běžným komunálním odpadem. Správná likvidace výrobku pomůže předcházet možným negativním dopadům na životní prostředí a lidské zdraví.

► hu - HULLADÉKBA HELYEZÉS

- A termék kiváló minőségű újrahazsnosítható és újból felhasználható alkotóelemek felhasználásával készült.
- Ha terméken elhelyezésre került az áthúzott hulladékgyűjtőt ábrázoló jel, az azt jelenti, hogy a termékre a 2012/19/UE irányelv vonatkozik.
- Kérjük, tájékozódjon az elektromos és elektronikus hulladékok szelektív gyűjtéséről.
- Tartsa be a helyben hatályos előírásokat, és ne a terméket ne helyezze a háztartási hulladékgyűjtőbe. A megfelelő hulladékgyűjtéssel elkerülhető, hogy a hulladékok károsítsák a környezetet ill. az emberi egészséget.

►sl - ODLAGANJE IZDELKA

- Ta izdelek je bil zasnovan in izdelan iz materialov in komponent visoke kakovosti, ki jih je mogoče reciklirati in ponovno uporabiti.
- Ko je izdelek označen z znamenjem prekrižanega smetnjaka na kolesih, pomeni, da zanj veljajo določbe evropske Direktive 2012/19/UE.
- Pozanimajte se o načinu ločenega zbiranja električne in elektronske opreme, ki velja v vašem kraju.
- Upoštevajte veljavne predpise in odsluženih izdelkov ne odlagajte med gospodinjske odpadke. Pravilno odlaganje izdelka prispeva k izogibanju morebitnim negativnim posledicam za zdravje okolja in ljudi.

►tr - ÜRÜNÜN İMHA EDİLMESİ

- Bu ürün, geri dönüştürülüp tekrar kullanılabilen, yüksek kaliteli malzeme ve bileşenler kullanılarak tasarlanıp üretilmiştir.
- Herhangi bir üründe, üzerinde çarpı işareti bulunan tekerlekli bidon bulunuyorsa bu, ürünün 2012/19/UE Avrupa Direktifi tarafından konulduğunu belirtir.
- Lütfen bulunduğunuz bölgedeki elektrikli ve elektronik aletler için olan çöp ayrıştırma sistemi ile ilgili bilgi edininiz.
- Konuyla ilgili yerel düzenlemelere uyunuz ve eski ürünleri normal evsel atıklarla beraber atmayınız. Ürünün doğru şekilde imha edilmesi, çevre ve insan sağlığını tehdit edici olumsuz sonuçların önlenmesine yardımcı olur.

►hr - ODBACIVANJE PROIZVODA

- Ovaj je proizvod osmišljen i izrađen s visokokvalitetnim materijalima i komponentama koje se mogu reciklirati i ponovno iskoristiti.
- Kada se na proizvod stavi simbol prekrižene kante na kotačima, to znači da je on podvrgnut Europskoj Smjernici 2012/19/UE.
- Informirajte se u svezi s lokalnim načinom diferencijalnog sakupljanja električnih i elektronskih proizvoda.
- Pošaljite lokalne propise na snazi i ne odbacujte stare proizvode zajedno sa običnim kućnim otpadom. Pravilnim odbacivanjem proizvoda spriječit ćete moguće negativne posljedice za okoliš i za zdravlje ljudi.

►lt - GAMINIO SUNAIKINIMAS

- Šis gaminys buvo sukurtas ir pagamintas iš aukštos kokybės medžiagų bei dalių, kurios gali būti perdirbtos arba panaudotos dar kartą.
- Kai gaminys yra pažymėtas perbraukto atliekų konteinerio su ratukais ženklų, tai reiškia, kad gaminys yra saugomas pagal ES direktyvą 2012/19/UE.
- Prašome pasidomėti apie vietinę elektros ir elektronikos atliekų rūšiavimo sistemą.
- Laikykitės vietinių galiojančių taisyklių ir nemeskite senų gaminių su įprastomis buitinėmis atliekomis. Tinkamai sunaikinę gaminį išvengsite galimų neigiamų pasekmių aplinkai ir žmonių sveikatai.

►lv - PRODUKTA IZNĪCINĀŠANA

- Šis produkts tika izveidots un ražots ar augstas kvalitātes materiāliem un sastāvdaļām, kas var būt savāktas un atkārtoti izmantotas.
- Kad pie produkta ir piestiprināts atkritumu tvertnes simbols ar riteņiem, kas ir pārsvītrots ar krustu, tas nozīmē, ka produktu aizstāv Eiropas Direktīva 2012/19/UE.
- Lūdzam Jūs gūt informāciju par vietēju centru, kas savāc elektriskās un elektroniskā ierīces.
- Ievērot vietējās pastāvošās normas un neiznīcināt vecus produktus, kā parastus mājas atkritumus. Produkta pareizā iznīcināšana palīdz izvairīties no iespējamām negatīvām sekām vides un cilvēku veselībai.

►et - TOOTE KASUTUSEST KÕRVALDAMINE

- See toode on projekteeritud ja toodetud kvaliteetsetest materjalidest ja osadest, mida võib uuesti ringlusse võtta ja korduskasutada.
- Kui tootel on märk, millel on ratastega prügikast, millele on rist peale tõmmatud, tähendab see, et toodet kaitseb Euroopa direktiiv 2012/19/UE.
- Palun tutvuge kohaliku elektri- ja elektroonikatoodete lahuskogumise süsteemiga.
- Täitke kehtivaid kohalikke õigusnorme ning ärge visake vana toodet olmejäätmete hulka. Toote õige kõrvaldamine aitab vältida võimalikke negatiivseid tagajärgi keskkonna ja inimeste tervisele.

►ro - SCOATEREA DEFINITIVĂ DIN UZ A PRODUSULUI

- Acest produs a fost proiectat și fabricat cu materiale și componente de înaltă calitate care pot fi reciclate și refolosite.
- Când pe produs este aplicat simbolul unei pubele cu roți, marcată cu o cruce, înseamnă că produsul respectiv este conform Directivei Europene 2012/19/UE.
- Vă rugăm să vă informați în ceea ce privește colectarea separată a produselor electrice și electronice.
- Respectați normele locale în vigoare și nu depozitați produsele vechi împreună cu deșeurile menajere. Eliminarea corectă a produsului ajută la eliminarea consecințelor negative pe care acesta le poate avea asupra mediului înconjurător și a persoanelor.

►sk - LIKVIDÁCIA VÝROBKU

- Tento výrobok bol navrhnutý a vyrobený z vysoko kvalitných materiálov a komponentov, ktoré je možné recyklovať a znovu použiť.
- Ak je na výrobku symbol prečiarknutého kontajnera, znamená to, že na výrobok sa vzťahuje Európska Smernica 2012/19/UE.
- Informujte sa o miestnom systéme pre oddelený zber elektrických a elektronických výrobkov.
- Dodržujte miestne predpisy a nelikvidujte staré produkty spolu s bežným komunálnym odpadom. Správna likvidácia výrobku pomôže predchádzať možným negatívnym dopadom na životné prostredie a ľudské zdravie.

► **bg - ИЗХВЪРЛЯНЕ НА УРЕДА**

-Това изделие е проектирано и произведено с материали и компоненти от високо качество, които могат да се рециклират или използват повторно.

-Когато на някое изделие е поставен символ с бидон на колелца, маркиран с хикс, това означава, че изделието е защитено съгласно Европейска Директива 2012/19/UE.

-Моля да се информирате относно местанат система за разделно изхвърляне на електрически и електронни изделия.

-Спазвайте действащите местни нормативи и не изхвърляйте изделията, заедно с нормалните домакински отпадъци. Правилното изхвърляне на изделията, помага за избягване на възможни отрицателно последици, за здравето на хората и за опазване на околната среда.

► **uk - УТИЛІЗАЦІЯ ВИРОБУ**

-Цей виріб був спроектований і вироблений з використанням високоякісних матеріалів і комплектуючих, які можуть бути повторно перероблені і використані.

-Якщо на виріб нанесено символ перекресленого бака з колесами для сміття, це означає, що виріб відповідає Директиві Європейського Союзу 2012/19/UE.

-Просимо ознайомитися з інформацією щодо місцевої системи роздільного збору сміття для електричного і електронного обладнання.

-Дотримуйтеся чинних місцевих правил і не викидайте старі вироби до звичайних побутових відходів. Правильна утилізація виробу допомагає уникнути можливих негативних наслідків для довкілля і здоров'я людей.

► **bs - ODLAGANJE PROIZVODA**

-Ovaj je proizvod dizajniran i proizveden korištenjem materijala i komponenata visoke kvalitete koji se mogu reciklirati i ponovo koristiti.

-Kada se na ovaj proizvod postavi simbol prekrizene kante /obilježene krstom na točkovima, to znači da je proizvod podložan Evropskoj Direktivi 2012/19/UE.

-Molimo Vas da se informirate o lokalnom sistemu diferencijalnog sakupljanja električnih i elektronskih proizvoda.

-Poštujte lokalne propise na snazi i ne odbacujte stare proizvode u obični kućanski otpad. Pravilno odlaganje proizvoda pomaže i onemogućuje negativne posljedice za zdravlje ljudi i okoliša

► **el - ΔΙΑΘΕΣΗ ΤΟΥ ΠΡΟΪΟΝΤΟΣ**

-Το προϊόν αυτό σχεδιάστηκε και κατασκευάστηκε με υλικά και εξαρτήματα υψηλής ποιότητας, τα οποία μπορούν να ανακυκλωθούν και να ξαναχρησιμοποιηθούν.

-Όταν ένα προϊόν είναι συνδεδεμένο με το σύμβολο του διαγεγραμμένου τροχοφόρου σημειωμένο με ένα σταυρό, σημαίνει ότι το προϊόν καλύπτεται από την Ευρωπαϊκή Οδηγία 2012/19/UE.

-Σας συνιστούμε να ενημερωθείτε σχετικά με το τοπικό σύστημα συλλογής για την ανακύκλωση ηλεκτρικών και ηλεκτρονικών προϊόντων.

-Τηρήστε τους τοπικούς κανονισμούς που ισχύουν και μην απορρίπτετε τα παλαιά προϊόντα στα οικιακά απορρίμματα. Η σωστή διάθεση του προϊόντος βοηθά στην αποφυγή πιθανών αρνητικών συνεπειών για την υγεία του περιβάλλοντος και του ανθρώπου.

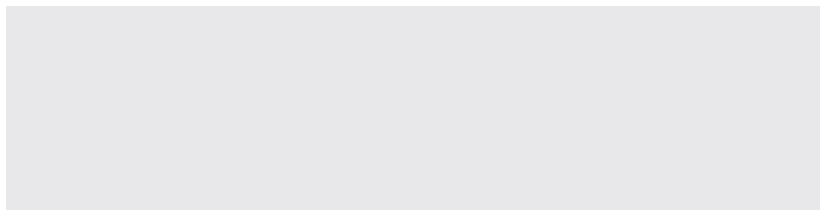
► **zh - 弃置旧的产品**

-该产品是由高质量的原材料和零配件生产而成的，可以进行回收再利用

-当这个标识标签出现在产品上时，它表明这个产品符合 European Directive 2012/19/UE 标准。

-请熟知产品实际使用地关于处理废弃的电子元件的相关法律规定。

-请严格根据当地法规处理废弃的产品和包装，并确保不和生活垃圾混装。正确的处理方式可以避免对环境和人体健康产生的潜在威胁。





Recycling



ENVIRONMENTAL PROTECTION: Please recycle any unwanted materials as opposed to disposing them as general waste. It is recommended the original is retained and used to store the product when not in use for prolonged periods of time. If this is not applicable ensure the materials are sorted and recycled in accordance with local regulations.



SPECIFICATION CHANGE: It is our policy to continually improve products to ensure these meet the rigours of the industry we serve. Therefore, as such we reserve the right to alter specifications, data, components & parts with-out prior notice.

WARRANTY: Please refer to the manufactures terms & conditions.

IMPORTANT: No liability will be accepted for the incorrect use of this product.

KEEP THIS BOOKLET FOR FUTURE REFERENCE

📞 Nottingham: 0115 946 1988 • London: 0208 830 3333 ✉ Nottingham: sales@hscgroupuk.co.uk • London: sean@hscgroupuk.co.uk 🌐 www.hscgroupuk.co.uk

The Hire Supply Company Terms & Conditions Apply At All Time E&OE