



# PARTS DRAWING



**22kw 400v  
Fan Heater**

**Product Code:  
B22IT**



Serial Number Range:

From:

To:

Year Of Manufacture:

**\*Please note, when ordering online via our website if the part number is not recognised, please Email [spares@hscgroupuk.co.uk](mailto:spares@hscgroupuk.co.uk) or Telephone 0115 946 1988**

**KEEP THIS BOOKLET FOR FUTURE REFERENCE**

Nottingham: 0115 946 1988 • London: 0208 830 3333 ✉ Nottingham: [sales@hscgroupuk.co.uk](mailto:sales@hscgroupuk.co.uk) • London: [sean@hscgroupuk.co.uk](mailto:sean@hscgroupuk.co.uk) 🌐 [www.hscgroupuk.co.uk](http://www.hscgroupuk.co.uk)

The Hire Supply Company Terms & Conditions Apply At All Time E&OE

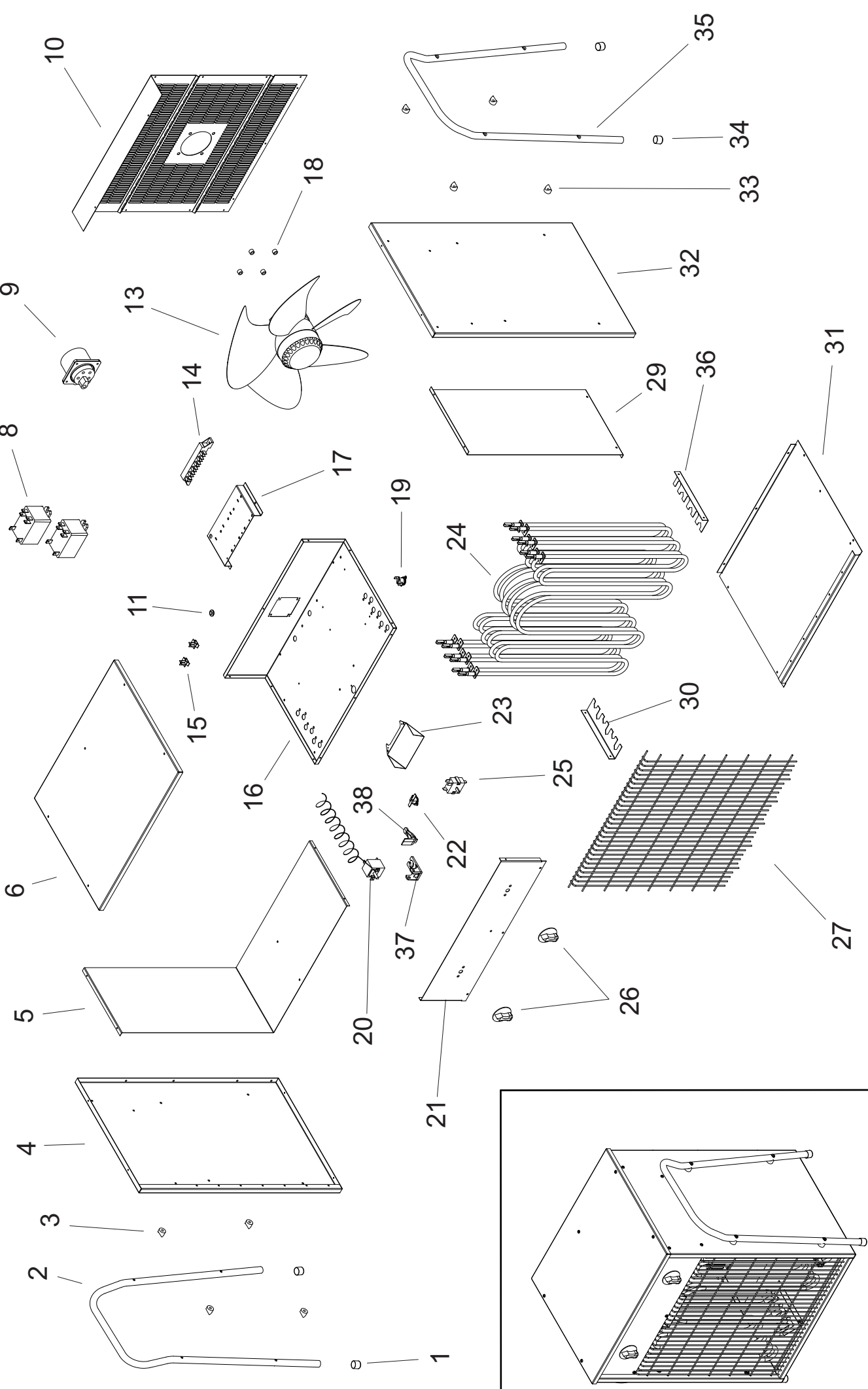
# MODEL B 22 IT

## UNIT 1

## ILLUSTRATED PARTS BREAKDOWN

From Serial Number: 08C43012630

Rev.- - Sep. 2022



# MODEL B 22IT

UNIT 2

PARTS LIST

| Pos. | Code N°  | Description                    |
|------|----------|--------------------------------|
| 1    | 4510.623 | HANDLE CAP                     |
| 2    | 4510.170 | HANDLE                         |
| 3    | 4510.603 | HANDLE SPACER                  |
| 4    | 4511.255 | RIGHT PANEL                    |
| 5    | 4511.257 | THERMAL L SHIELD               |
| 6    | 4511.260 | UPPER PANEL                    |
| 8    | 4034.225 | RELAY BOARD                    |
| 9    | 4160.103 | PANEL PLUG 5P                  |
| 10   | 4511.261 | REAR PANEL                     |
| 11   | 4511.621 | WIRE PROTECTION                |
| 13   | 4510.322 | FAN                            |
| 14   | 4510.414 | TERMINAL BOX                   |
| 15   | 4510.609 | CLIP                           |
| 16   | 4210.416 | BASE                           |
| 17   | 4511.271 | RELAY BRACKET                  |
| 18   | 4510.628 | MOTOR SPACER                   |
| 19   | 4510.404 | TEMPERATURE SENSOR             |
| 20   | 4510.416 | THERMOSTAT                     |
| 21   | 4210.463 | FRONTAL PANEL                  |
| 22   | 4510.435 | SAFETY THERMOSTAT              |
| 23   | 4210.419 | TEMPERATURE PROTECTION BRACKET |
| 24   | 4510.375 | RESISTANCE                     |
| 25   | 4510.401 | SELECTOR                       |
| 26   | 4165.007 | REGULATION HANDLE              |
| 27   | 4511.273 | FRONTAL GRILL                  |
| 29   | 4511.258 | THERMAL SHIELD                 |
| 30   | 4035.353 | RESISTANCES SUPPORT            |
| 31   | 4511.259 | LOWER PANEL                    |
| 32   | 4511.256 | LEFT PANEL                     |
| 33   | 4510.603 | HANDLE SPACER                  |
| 34   | 4510.623 | HANDLE CAP                     |
| 35   | 4510.170 | HANDLE                         |
| 36   | 4035.353 | RESISTANCES SUPPORT            |
| 37   | 4510.611 | RESET BASE                     |
| 38   | 4510.612 | RESET LEVER                    |



## Recycling



**ENVIRONMENTAL PROTECTION:** Please recycle any unwanted materials as opposed to disposing them as general waste. It is recommended the original is retained and used to store the product when not in use for prolonged periods of time. If this is not applicable ensure the materials are sorted and recycled in accordance with local regulations.



**SPECIFICATION CHANGE:** It is our policy to continually improve products to ensure these meet the rigours of the industry we serve. Therefore, as such we reserve the right to alter specifications, data, components & parts with-out prior notice.

**WARRANTY:** Please refer to the manufactures terms & conditions.

**IMPORTANT:** No liability will be accepted for the incorrect use of this product.

### KEEP THIS BOOKLET FOR FUTURE REFERENCE

📞 Nottingham: 0115 946 1988 • London: 0208 830 3333    ✉ Nottingham: [sales@hscgroupuk.co.uk](mailto:sales@hscgroupuk.co.uk) • London: [sean@hscgroupuk.co.uk](mailto:sean@hscgroupuk.co.uk)    🌐 [www.hscgroupuk.co.uk](http://www.hscgroupuk.co.uk)

The Hire Supply Company Terms & Conditions Apply At All Time E&OE