

# Clarke<sup>®</sup>

*air*



**3 IN 1 AC, FAN, DEHUMIDIFIER**

**MODEL NO: AC5000B**

PART NO: 3230580

## OPERATION & MAINTENANCE INSTRUCTIONS

UK  
CA | CE



ORIGINAL INSTRUCTIONS

DL0124 Rev 1

---

## INTRODUCTION

---

Thank you for purchasing this CLARKE Portable 3 in 1 Air Conditioner, Fan and Dehumidifier.

Before attempting to operate the machine, it is essential that you read this manual thoroughly and carefully follow all instructions given. In doing so you will ensure the safety of yourself and that of others around you, and you can also look forward to the product giving you long and satisfactory service.

---

## GUARANTEE

---

This CLARKE product is guaranteed against faulty manufacture for a period of 12 months from the date of purchase. Please keep your receipt as proof of purchase.

This guarantee is invalid if the product is found to have been abused or tampered with in any way, or not used for the purpose for which it was intended.

Faulty goods should be returned to their place of purchase, no product can be returned to us without prior permission.

This guarantee does not affect your statutory rights.

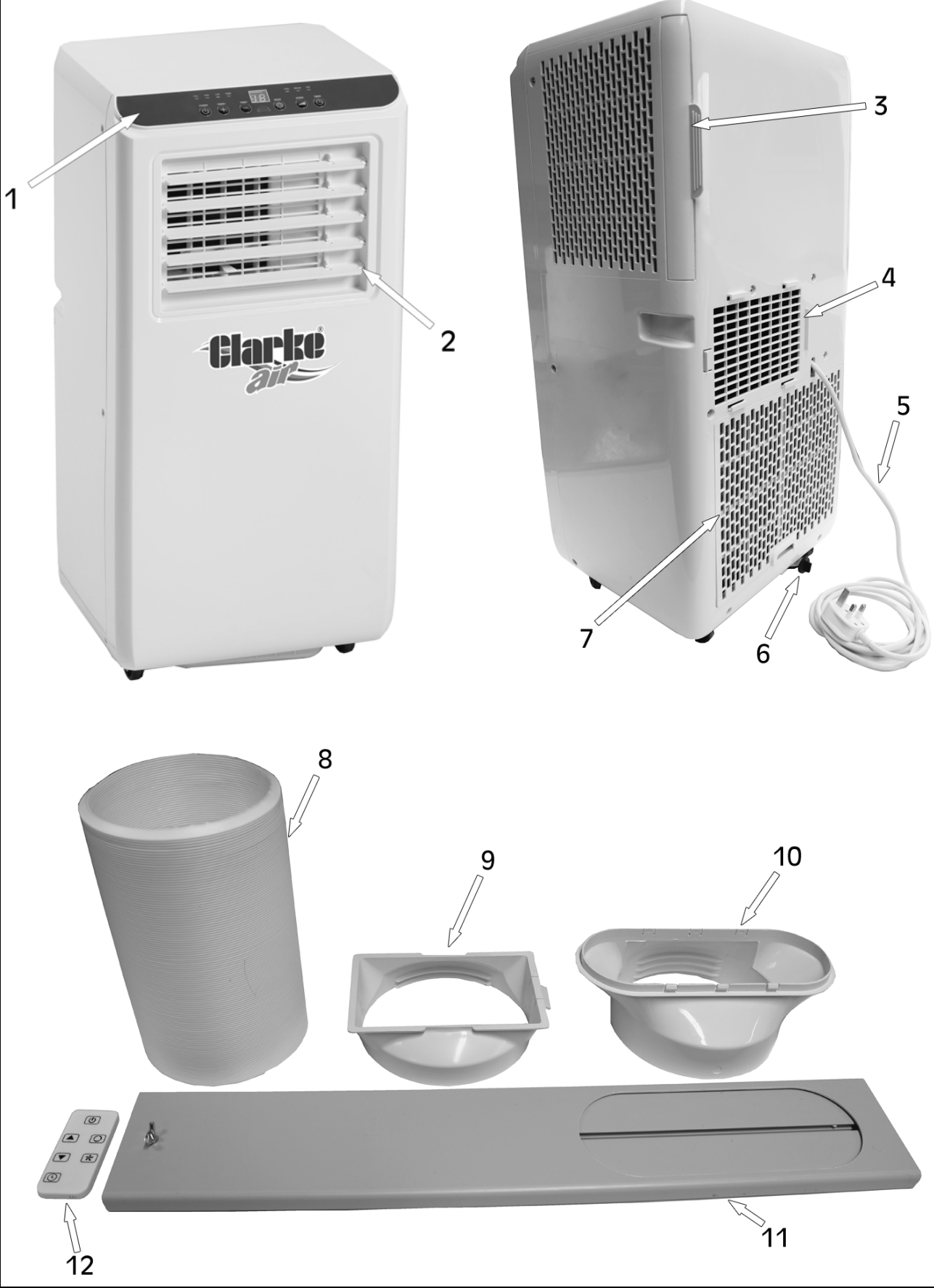
---

## OVERVIEW

---

No	DESCRIPTION	No	DESCRIPTION
1	Control Panel	7	Condenser Grill
2	Cold Air Outlet	8	Air Exhaust Duct
3	Evaporator Inlet & Air Filter	9	Hot Air Outlet/Duct Connector
4	Hot Air Outlet	10	Duct/Baffle Plate Connector
5	Power Cable & Plug	11	Window Baffle Plate
6	Drain Port	12	Remote Control

# OVERVIEW



---

## SAFETY INSTRUCTIONS

---

- Carefully read the instructions before operating the appliance.
- This appliance is for indoor use only.
- This appliance must only be connected to a 230 V / 50 Hz earthed outlet.
- Installation must be in accordance with regulations of the country where the appliance is used.
- This appliance has been tested and is safe to use. However, as with any electrical appliance - use it with care.
- Disconnect the power plug from socket before dismantling, assembling or cleaning.
- **AVOID** touching any moving parts within the air conditioner.
- **NEVER** insert fingers, pencils or any other objects through the guards.
- **DO NOT** leave children unsupervised with this appliance.
- **NEVER** operate this appliance if the cable or plug is damaged. Make sure that the power cable is not stretched or exposed to sharp objects/edges.
- A damaged supply cable should be replaced by the manufacturer or a qualified electrician in order to avoid a hazard.
- Any service other than regular cleaning or filter replacement should be performed by an authorized service representative. Failure to comply could result in the warranty being voided.
- **DO NOT** use the appliance for any other purpose than its intended use.
- **DO NOT** tilt the appliance more than 35° or upside down while transporting.
- The appliance must always be stored and transported upright, otherwise irreparable damage may be caused to the compressor. If in doubt we suggest waiting at least 24 hours before starting the appliance.
- **AVOID** restarting the appliance within 3 minutes of it being turned off. This prevents damage to the compressor.
- **NEVER** use the mains plug or an external timer as a switch to start and stop the appliance. Use the ON/OFF and Timer buttons located on the control panel.
- **ALWAYS** place the appliance on a dry, flat and stable surface with less than 5° incline.
- The appliance **SHOULD NOT** be installed in a laundry or a wet room.

- The appliance must be placed in a room without sources of ignition (for example: open flames, an operating gas appliance or an operating electric heater).
- Condensation may form on the base of this appliance during use, **DO NOT** use on sensitive or absorbent floors.
- **DO NOT** cover or restrict the airflow from the outlet or inlet grills.
- For maximum performance the appliance should be situated at least 60cm from walls or other objects.
- Keep the filters clean. Under normal conditions, filters should only need cleaning once every two weeks. Since the filters remove airborne particles, more frequent cleaning maybe necessary, depending on the air quality.
- Keep the appliance at least 1m away from televisions or radios to avoid electromagnetic interference.
- **DO NOT** expose the appliance to direct sunlight to avoid surface colour fading.
- The appliance **SHOULD NOT** be stored in temperatures above 120°F/48°C

## R290 REFRIGERANT GAS



R290 refrigerant gas complies with European environmental directives.

R290 has a low GWP (Global Warming Potential) of 3.

The appliance contains about **75g** of R290 refrigerant gas.

- **DO NOT** use or store in an unventilated space with an area smaller than 14m<sup>2</sup> per appliance. The room must be such as to prevent stagnation of possible leaks of refrigerant gas as there could be a danger of fire or explosion should the refrigerant come into contact with electric heaters, stoves or other sources of ignition.
- The refrigerant gas is odourless.
- **DO NOT** use the appliance and contact the retailer for advice if damage has occurred to the appliance which may have compromised the refrigerant system.
- Any repairs or maintenance must only be carried out on the appliance by a suitably qualified engineer. Before opening and servicing the appliance, the authorized engineer must be in possession of this manual and must follow the safety information contained within it to ensure all hazards are minimized.
- The refrigerant system must not be perforated or punctured.

# ELECTRICAL CONNECTIONS




**WARNING! READ THESE ELECTRICAL SAFETY INSTRUCTIONS THOROUGHLY BEFORE CONNECTING THE PRODUCT TO THE MAINS SUPPLY.**

Before switching the product on, make sure that the voltage of your electricity supply is the same as that indicated on the rating plate. This product is designed to operate on 230 V AC 50Hz. Connecting it to any other power source may cause damage.

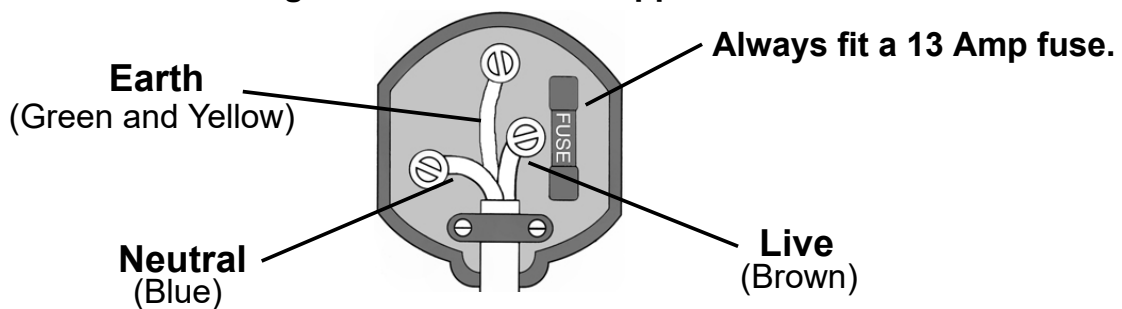
This product may be fitted with a non-rewireable plug. If it is necessary to change the fuse in the plug, the fuse cover must be refitted. If the fuse cover becomes lost or damaged, the plug must not be used until a suitable replacement is obtained.

If the plug has to be changed because it is not suitable for your socket, or due to damage, it should be cut off and a replacement fitted, following the wiring instructions shown below. The old plug must be disposed of safely, as insertion into a mains socket could cause an electrical hazard.

If the colours of the wires in the power cable of this product do not correspond with the markings on the terminals of your plug, proceed as follows.

- The **Blue** wire must be connected to the terminal which is marked **N**.
- The **Brown** wire must be connected to the terminal which is marked **L**.
- The **Yellow and Green** wire must be connected to the terminal which is marked **E** or 

**Plug must be BS1363/A approved.**

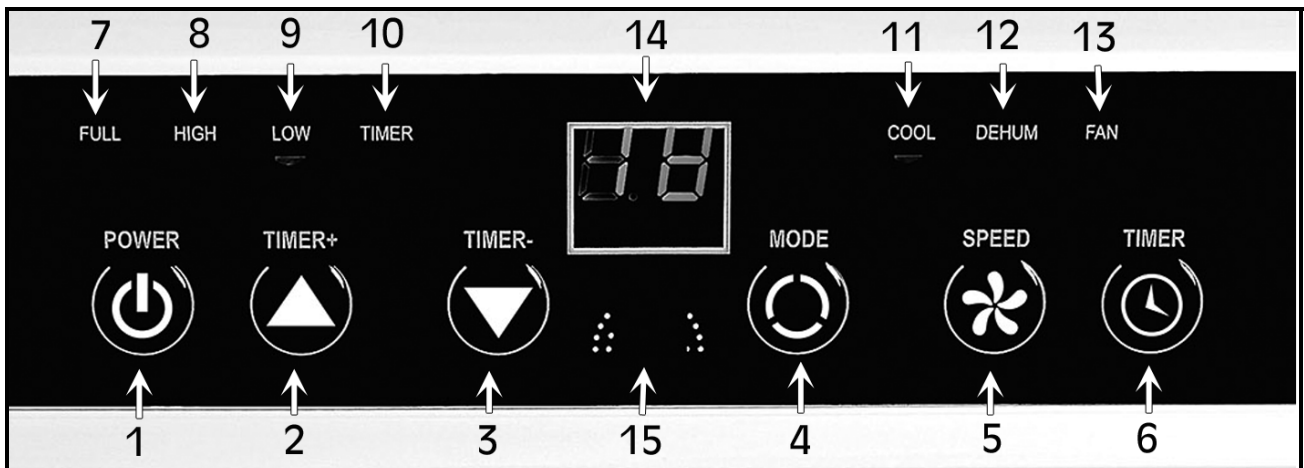


**Ensure that the outer sheath of the cable is firmly held by the clamp**

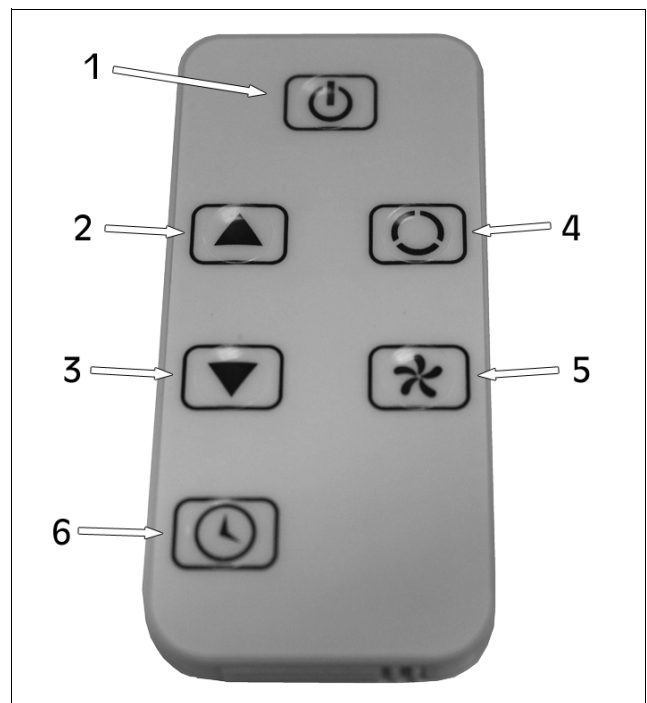
We strongly recommend that this machine is connected to the mains supply via a Residual Current Device (RCD)

**If in any doubt, consult a qualified electrician. DO NOT attempt any repairs yourself.**

# CONTROL PANEL AND REMOTE CONTROL



1. Power Button
2. Timer/Temperature Up Button
3. Timer/Temperature Down Button
4. Mode Button
5. Speed Button
6. Timer Button
7. Water Full Indicator
8. Fan Speed Indicator - High
9. Fan Speed Indicator - Low
10. Timer Indicator
11. Air Conditioner Indicator
12. Dehumidifier Indicator
13. Fan Indicator
14. Timer/Temperature Display
15. Remote Control Sensor

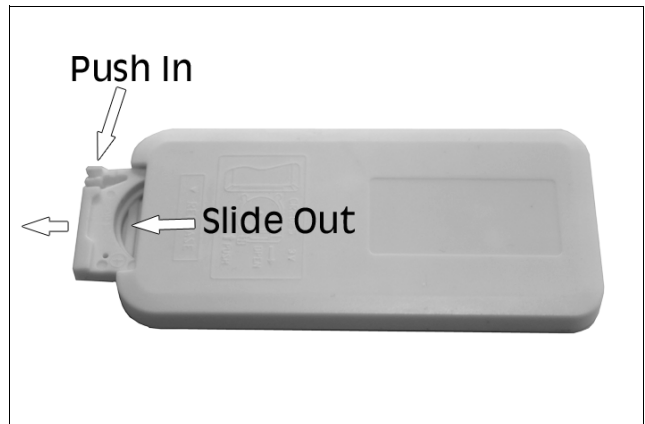


---

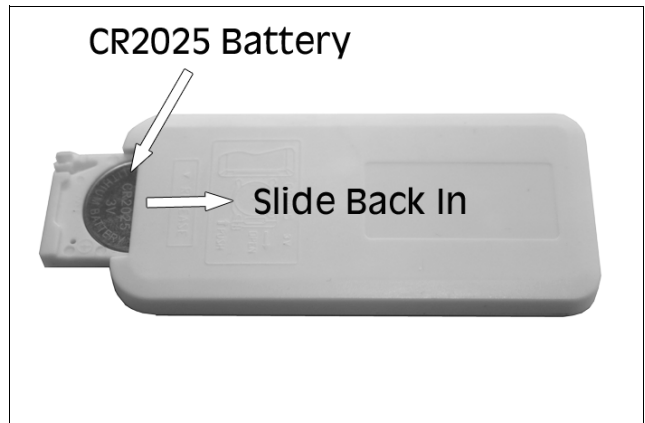
## FITTING BATTERY TO THE REMOTE CONTROL

---

1. Push in the clip on the side of the battery compartment and slide the battery holder out of the remote control.



2. Place a CR2025 battery (not included) with the positive side facing the rear of the remote control in the battery holder and slide the holder back into the remote control.



**NOTE:** To operate the appliance, aim the remote control at the remote control sensor. The remote control will operate the appliance at a distance of upto 5m.

---

## INSTALLATION

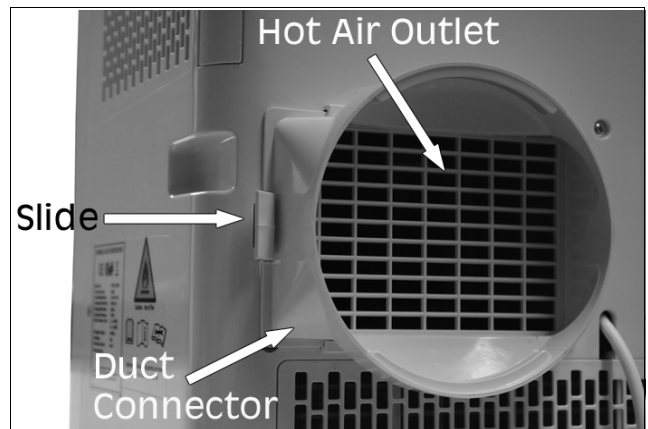
---

**IMPORTANT:** Do not position this appliance where it will be exposed to sources of heat above 35°C.

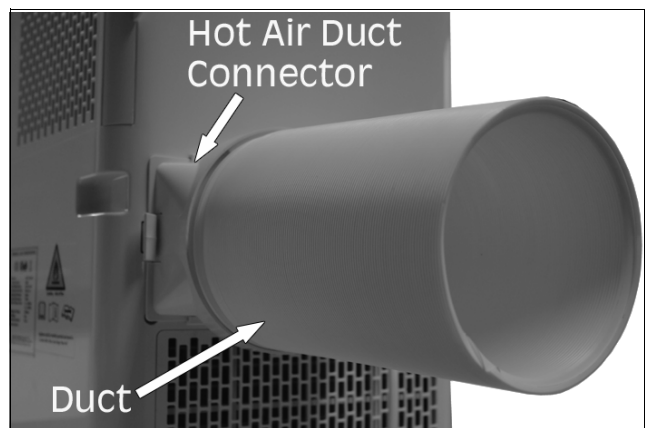
1. Always transport the air conditioner upright. Remember to drain the drain port before moving the appliance.
2. Position the appliance on a level, dry surface at least 60 cm away from surrounding objects.



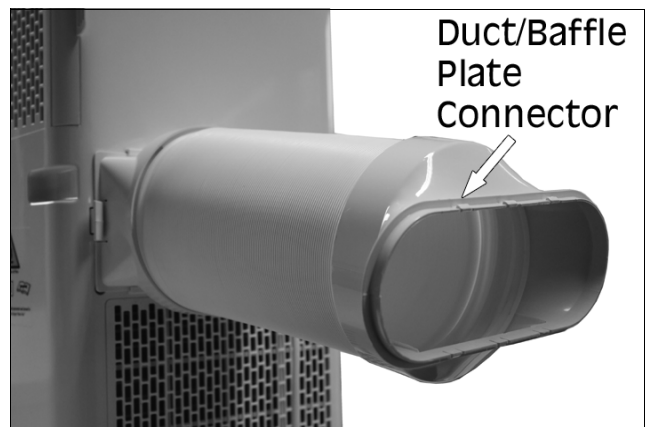
3. Attach the Hot Air Outlet/Duct Connector on to the rear of the appliance by sliding it from the left.



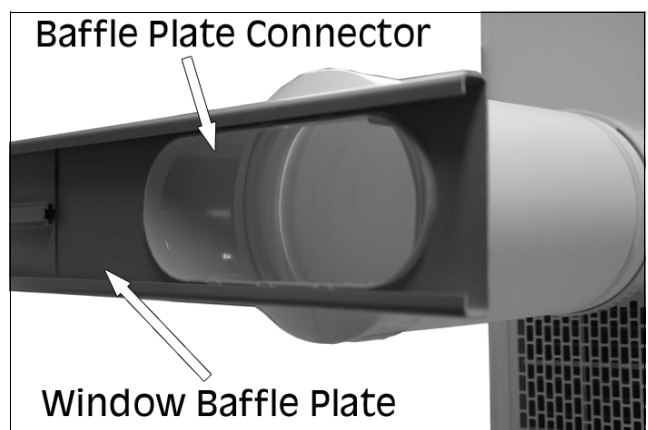
4. Pull out a couple of inches of the Air Exhaust Duct and rotate several times until it is secure in the Hot Air Outlet/Duct Connector located on the rear of the appliance.



5. On the other end of the Air Exhaust Duct, pull out a couple of inches and rotate the Duct/Baffle Plate Connector onto the Duct.



6. Clip the Baffle Plate Connector into the slot in the Window Baffle Plate.



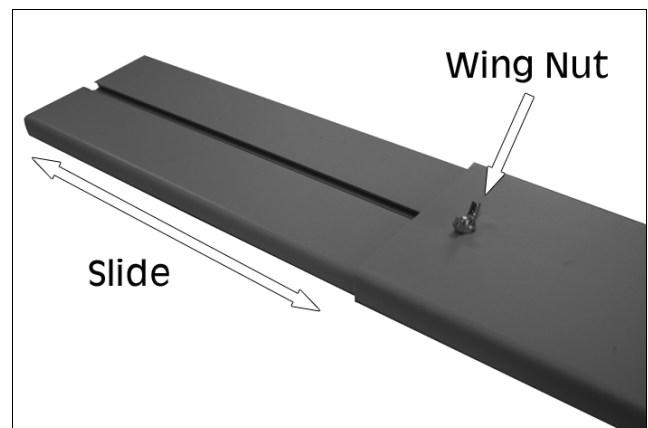
7. Move the air conditioner into position and extend the flexible exhaust duct to suit your window layout.

**NOTE:** The length of the exhaust duct is variable between 245 mm and 1580 mm (adaptors included).

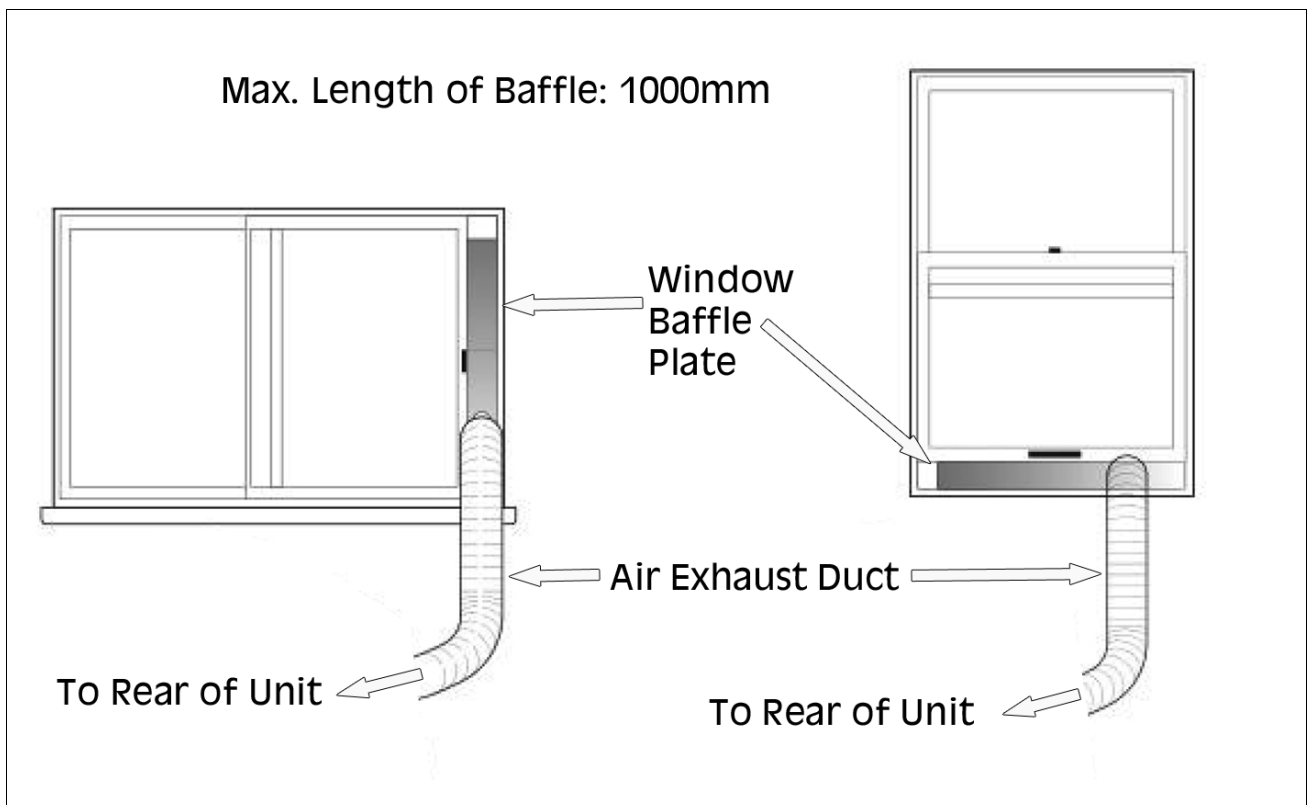
**NOTE:** The length of duct has been designed to suit the specification of the air conditioner. **DO NOT** use an extension or change to a different size duct as it may lead to poor performance.

8. The flexible exhaust ducting can be bent to an angle if followed by a straight section but tight curves and kinks must always be avoided.

9. Extend the two parts of the window baffle plate and fit into the window opening and tighten with the wing nut, below or beside the window panel as shown below.



10. Secure in position by closing the window onto the baffle plate as shown below.



# OPERATION

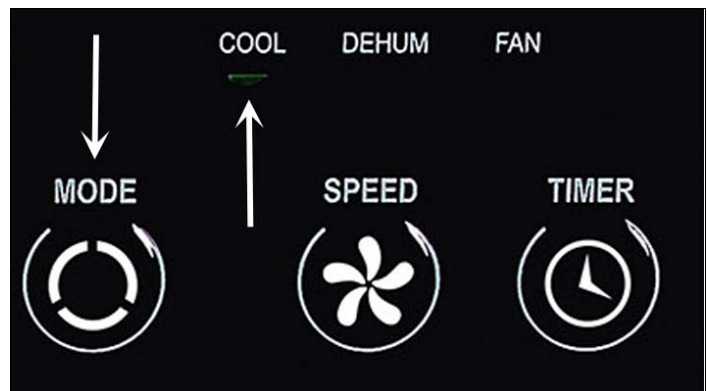
## GENERAL OPERATION

- If the room is exposed to direct sunlight, draw any curtains during the sunniest part of the day.
- 1. Press the Power button to switch the appliance On/Off.
- The appliance will select the last mode used.



## COOLING MODE (COOL)

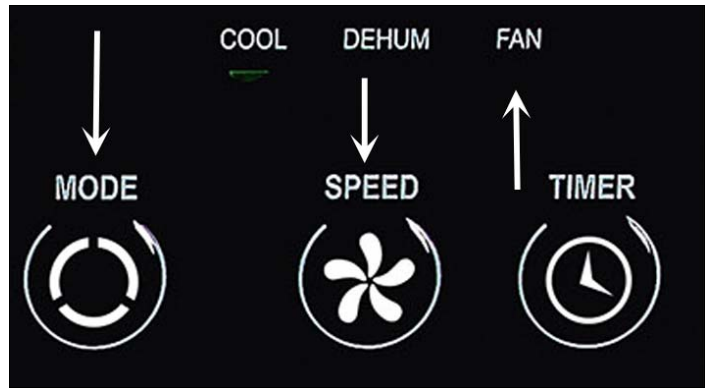
1. Press the mode button repeatedly to select COOL.
  - The COOL indicator lamp lights up.
2. Press the Timer/Temperature up or down buttons to adjust the temperature between 15°C - 35°C.
3. Press the speed button to select between High / Low speed.
4. Manually adjust the external slats up or down and the internal slats left or right to direct the cold air flow.



## FAN MODE (FAN)

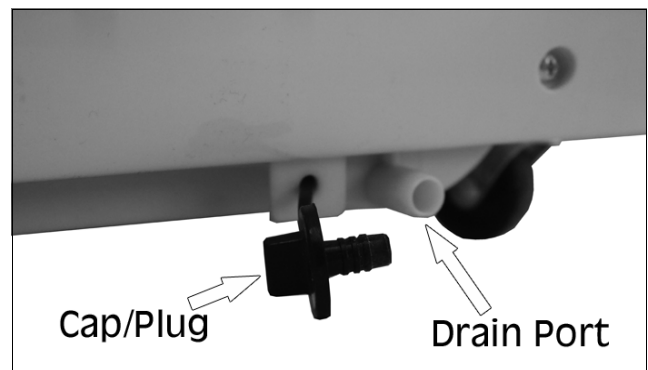
1. Press the mode button repeatedly to select FAN.
  - The FAN indicator lamp lights up.
2. Press the speed button to select between High / Low speed.

**NOTE:** In fan mode, you cannot set the temperature.



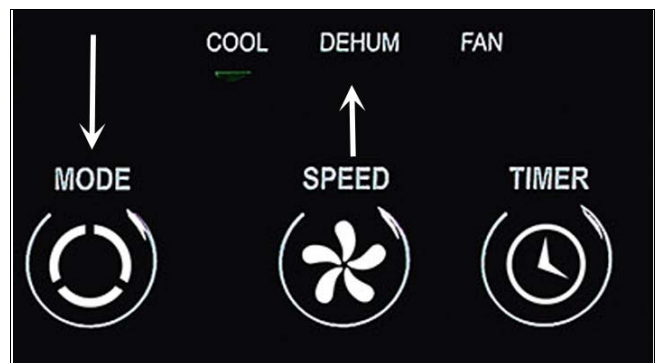
## DEHUMIDIFYING MODE (DEHUM)

1. Remove the drain cap/plug from the rear of the appliance and connect a drainage hose to the drain port.
2. Place the other end of the drainage hose into a bucket or appropriate drainage outlet.



- This appliance does not have an internal water tank, see Drain Water on page 13. For the Dehumidifying mode to work, a drainage hose must be installed.

3. Press the mode button repeatedly to select DEHUM.
  - The DEHUM indicator lamp lights up.
  - If the room temperature is above 17°C (63°F), the fan will come on.
  - It will go off again if the room temperature drops below 15°C (59°F).



- In dehumidify mode, the fan runs at low speed and cannot be adjusted.
- The temperature setting cannot be adjusted in dehumidifying mode.

## TIMER MODE

### TO SET THE "ON" TIME

1. Press the Timer button to set the ON time.

2. Press the Time/Temperature up or down buttons to set the ON time in 1 hour increments (1-24 hours).

- The timer indicator lamp lights up.

#### **TO SET THE “OFF” TIME (WHEN THE APPLIANCE IS RUNNING).**

1. Press the Timer button to set the OFF time.

2. Press the Time/Temperature up or down buttons to set the OFF time in 1 hour increments (1-24 hours).

- The timer indicator lamp lights up.

---

## **PROTECTION & TROUBLESHOOTING**

---

### **PROTECTION**

This appliance has a protective device that may trip and stop the appliance in the following cases:

Cooling	Indoor air temperature is over 43°C
	Room temperature is below 15°C
Dehumidifying	Room temperature is below 15°C
Fan	Room temperature is below 31°C

The protective device will activate in the following cases:

- Restarting the appliance directly after the appliance has stopped or changing mode during operation. You will need to wait 3 minutes before starting.
- If the appliance is unplugged. When you restart the appliance it will return to the original mode. The Timer is required, this must be reset.

### **DRAIN WATER**

There is a condensing water recycling unit within the appliance, this is a self evaporating system that helps with the cooling. The condensing water is partly kept recycling between the condenser and the water plate. When the water level rises to the maximum level, a float switch will activate and the water full indicator will light and code E4 will be displayed. When this happens, switch off



the appliance and move it to a suitable place to drain the water from the drain port on the rear of the appliance. or attach a drain hose.

## TROUBLESHOOTING

Problem	Likely Cause	Solution
The appliance fails to operate	Appliance is not plugged in.	Plug the appliance into a suitable power source.
	Plug or socket damaged	Replace the plug or socket
	Fuse broken	Replace the fuse in the plug (13A)
The appliance automatically stops	Timing shut down or set temperature reached	Restart or wait for auto-switch
No cold air under Cooling mode	Room temperature lower than the set temperature	This is normal. the appliance will auto-switch while the room temperature is higher than the set temperature
	The appliance has entered into anti-frost protection	The appliance will auto-switch after the anti-frost protection is over
LED Display failure code 'E0'	Room temperature sensor fail or damaged	Replace the room temperature sensor
LED Display failure code 'E4'	Water full warning	Drain out water from the drain port
The remote control doesn't work	The appliance is too far away.	Move closer to the appliance, within 5m.
	Battery is flat.	Replace the battery (CR2025).
	Remote control not pointing at the air conditioner.	Aim the remote control at the appliance.

---

# MAINTENANCE

---

## CLEANING

---



**WARNING: PLEASE SHUT OFF THE APPLIANCE AND UNPLUG FROM THE MAINS BEFORE CLEANING OR PERFORMING ANY MAINTENANCE.**

---

1. Clean the outside surfaces of the appliance with a duster or a soft, moist cloth.
  - **DO NOT** use solvents which could damage the plastic components.

## CLEANING THE AIR FILTER

Clean the air filter every 2 weeks. If the air filter is blocked with dust, performance will be affected.

1. Slide out the air filter as shown.
2. Wash the air filter gently in warm water with a mild detergent.
3. Rinse the filter and then dry it gently out of direct sunlight.
  - Make sure the filter is dry before use.
4. Slide the filter back into position.

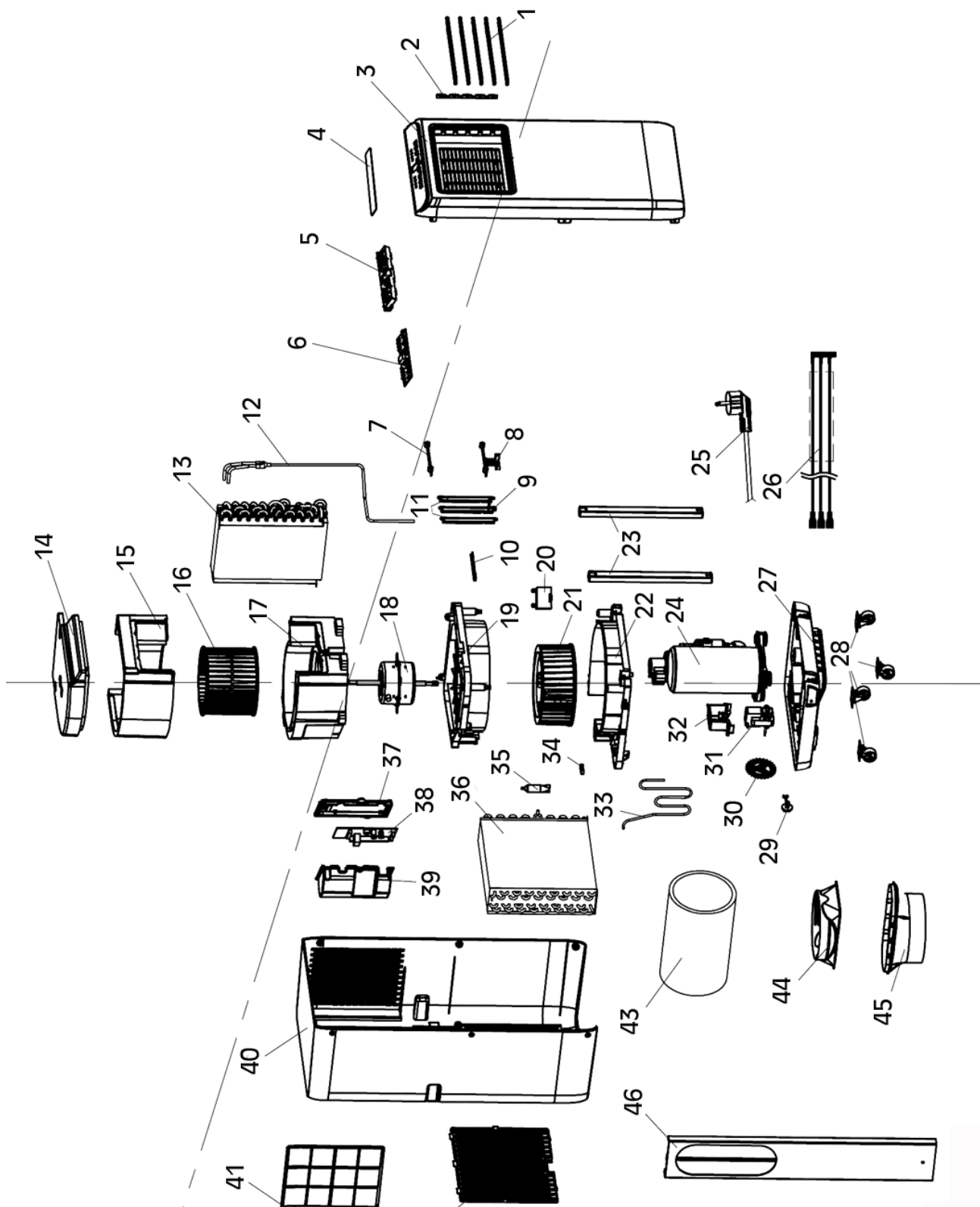


## END OF SEASON CLEANING

If the air conditioner is not going to be used for a long time:

1. Drain any water left in the drain port
2. Run the appliance in Fan mode for 2 hours to dry out the inside.
3. Switch off the appliance and disconnect the power cable.
4. Clean the filter.
5. Dismantle the exhaust ducting and store it safely.
6. Remove the battery from the remote control to preserve battery life.
7. Cover the air conditioner with a plastic bag and store it in a dry place, out of direct sunlight and with adequate air circulation.

# PARTS DIAGRAM





# PARTS LIST

PART NO	DESCRIPTION	PART NO	DESCRIPTION
1	Air Vent Vanes	24	Compressor
2	Air Vent Connecting Rod	25	Power Cable
3	Front Shell	26	Compressor Wiring
4	Control Panel Cover	27	Base
5	Control Panel Box	28	Castors
6	Control Panel Board	29	Water Plug/Cap
7	Upper Vane Stand	30	Water Wheel
8	Vane Support	31	Water Pump
9	Manual Swing	32	Water Pump Frame
10	Vertical Vane Connecting Rod	33	Discharge Pipe
11	Vertical Hinged Vane Grille	34	Power Cable Clamp
12	Suction Tube	35	Filter
13	Evaporator	36	Condenser
14	Duct Roof Foam	37	Electric Control Box
15	Upper Fan Housing	38	Main Control Board
16	Drum Fan	39	Electric Control Box Cover
17	Under Foam Air Duct	40	Back Shell
18	Motor	41	Air Filter Cover
19	Outside Air Duct	42	Air Filter
20	Motor Capacitor	43	Air Duct
21	Outer Fan	44	Hot Air Outlet/Duct Connector
22	Outer Duct	45	Duct/Baffle Plate Connector
23	Support Frame	46	Baffle Plate

## TECHNICAL SPECIFICATIONS

<b>Model Number</b>	<b>AC5000B</b>
Power Supply	230V/50Hz
Weight	18kg
Dimensions (H x W x D)	685 x 330 x 280 mm
Drain Hose	10mm x 1000mm
Air Flow Volume	270 m <sup>3</sup> /h
Applicable Area Usage	10m <sup>2</sup>
Operating Temperature	15 - 35°C
Dehumidifying Capacity	0.5l/hour
Exhaust Duct Diameter	154mm
Exhaust Duct Length	245 - 1580mm
Permissible Excessive Operating Pressure (suction/discharge)	2.5MPa/1.2MPa
Sound Power Level	64dB LwA
Energy Efficiency	Class A
Cooling Capacity	1500W
Electrical Insulation Class	I
Energy Efficiency rate (EER)	2.64
<b>REFRIGERANT DATA</b>	
This product contains hermetically sealed non refillable gas,	
Gas Type	R290 (Propane)
Volume	75g
GWP	3
CO <sup>2</sup> Equivalent	0.000225T

# DECLARATION OF CONFORMITY

**UKCA**

**Clarke**  
INTERNATIONAL

Hemnal Street, Epping, Essex, CM16 4LG

**DECLARATION OF CONFORMITY**

**This is an important document and should be retained.**

We hereby declare that this product(s) complies with the following legislation:

- Electromagnetic Compatibility Regulations 2016*
- Electrical Equipment Regulations 2016*
- The Restriction of the Use of Certain Hazardous Substances in Electrical and Electronic Equipment Regulations 2012*
- The Ecodesign for Energy-Related Products Regulations 2010*

**The following standards have been applied to the product(s):**

EN 55014-1:2017/A1:2020, EN 55014-2:2015, EN IEC 61000-3-2:2019, EN 61000-3-3:2013/A1:2019, EN 60335-2-40:2003/A13:2012, EN 60335-1:2012/A2:2019, EN 62233:2008, EN 62321-1:2013, EN 62321-2:2014, EN 62321-3-1:2014, EN 62321-4:2014, EN 62321-5:2014, EN 62321-6:2015, EN 62321-7-1:2015, EN 62321-7-2:2017, EN 62321-8:2017, EN 14511-2:2013, EN 14511-3:2013, EN 14825:2016, EN 12102-1:2017

The technical documentation required to demonstrate that the product(s) meet(s) the requirement(s) of the aforementioned legislation has been compiled and is available for inspection by the relevant enforcement authorities.

**The UKCA mark was first applied in: 2023**

**Product Description:** Mobile Air Conditioning Units

**Model Number(s):** ACS5000B

**Serial/Batch Number:** Refer to product/packageing label

**Date of Issue:** 23/01/2024

**Signed:**   
J.A. Clarke  
Director

ACS5000B UKCA Clarke DOC 012324

Page 1 of 1

**CE**

**Clarke**  
INTERNATIONAL

Fitzwilliam Hall, Fitzwilliam Place, Dublin 2

**DECLARATION OF CONFORMITY**

**This is an important document and should be retained.**

We hereby declare that this product(s) complies with the following legislation:

- 2014/30/EU Electromagnetic Compatibility Directive*
- 2014/35/EU Low Voltage Equipment Directive*
- 2011/65/EU Restriction of Hazardous Substances (ROHS) Directive*
- 2009/125/EC Eco-design Requirements for Energy Related Products*

**The following standards have been applied to the product(s):**

EN 55014-1:2017/A1:2020, EN 55014-2:2015, EN IEC 61000-3-2:2019, EN 61000-3-3:2013/A1:2019, EN 60335-2-40:2003/A13:2012, EN 60335-1:2012/A2:2019, EN 62233:2008, EN 62321-1:2013, EN 62321-2:2014, EN 62321-3-1:2014, EN 62321-4:2014, EN 62321-5:2014, EN 62321-6:2015, EN 62321-7-1:2015, EN 62321-7-2:2017, EN 62321-8:2017, EN 14511-2:2013, EN 14511-3:2013, EN 14825:2016, EN 12102-1:2017

The technical documentation required to demonstrate that the product(s) meet(s) the requirement(s) of the aforementioned legislation has been compiled and is available for inspection by the relevant enforcement authorities.

**The CE mark was first applied in: 2023**

**Product Description:** Mobile Air Conditioning Units

**Model Number(s):** ACS5000B

**Serial/Batch Number:** Refer to product/packageing label

**Date of Issue:** 23/01/2024

**Signed:**   
J.A. Clarke  
Director

ACS5000B CE Clarke DOC 012324

Page 1 of 1

---

## ENVIRONMENTAL PROTECTION

---



Recycle unwanted materials instead of disposing of them as waste. All unwanted accessories and packaging should be sorted and taken to a recycling centre for disposal in a manner which is compatible with the environment.



By purchasing this product, the customer is taking on the obligation to deal with its safe disposal in accordance with the Waste Electrical and Electronic Equipment regulations (WEEE).

In effect, this means that this product must not be disposed of with general household waste. It must be disposed of according to the laws governing Waste Electrical and Electronic Equipment (WEEE) at a recognised disposal facility.

**PARTS & SERVICE:  
0208 988 7400**

---

**Parts Enquiries**  
**Parts@clarkeinternational.com**

---

**Servicing & Technical Enquiries**  
**Service@clarkeinternational.com**

---

**SALES: UK 01992 565333 or Export 00 44 (0)1992 565335**

**Clarke**<sup>®</sup> **INTERNATIONAL** Hemnall Street, Epping, Essex CM16 4LG  
[www.clarkeinternational.com](http://www.clarkeinternational.com)