



IN240600312V01\_UK

**821-038V70**



## **Dehumidifier**

**IMPORTANT, RETAIN FOR FUTURE REFERENCE: READ CAREFULLY**

# INSTRUCTION MANUAL

# Thank you!

We are convinced that this appliance will exceed your expectations and wish you joy while using it.

Please read this user manual completely and observe the safety instructions.

## Scope of delivery

- 1x** Air dehumidifier
- 1x** Hose

## Table of content

Scope of delivery	1
Product overview	2
Intended Use	2
Using the appliance	4
Care & Maintenance	6
Water tank	7
Technical Data	8
Troubleshooting	9
Error and safety codes	9
Noise	10
Replacement Parts	10
Storage	10
Disposal	10

# Product overview

## Air dehumidifier

- 1 Control panel
- 2 Air outlet grille
- 3 Housing
- 4 Water tank
- 5 Inspection window
- 6 Rolls
- 7 Power supply cord
- 8 Condensation drain
- 9 Intake grille
- 10 Handle

## Control panel

- A Water level control
- B Fan speed
- C Inside drying
- D Timer
- E On/ off button
- F Mode button
- G Humidity setting mode
- H Display

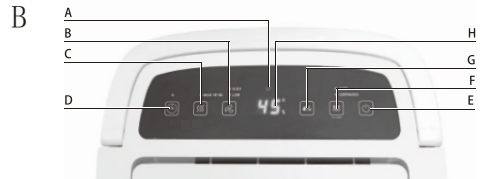


# Intended Use

This tool is

- used to prevent moisture damage to objects or dwellings;
- used to support drying wet laundry;
- only allowed to be used indoors, e.g. in living rooms, cellars, bath rooms, laundry rooms etc.;
- to be operated at temperatures from 5 °C to 32 °C;
- to use according to the descriptions and safety instructions indicated in this operating manual.

The appliance is not intended for commercial use. Any other use or modification to the appliance is considered as improper use and could cause considerable dangers.



- 1 Setup**  
The dehumidifier can be carried by its handle **10**.

**Note:** Close all doors, windows and other openings for efficient usage.

- 2** The dehumidifier can also be rolled by its rolls **6**.

**Caution!** Make sure that the dehumidifier stands on a flat and even floor.

- 1 Empty the water tank**  
Carefully pull out the water tank **4** to avoid spilling water.

**Caution!** If water appears to be inside the appliance, empty the water tank and let the appliance dry.

- 2** Empty and reinstall the water tank **4**. Make sure it is installed properly.

- 1 Use the condensation drain**  
Condensation water can permanently be derived with a drainage hose.  
Remove the screw cap and the rubber plug on the rear side of the appliance.

- 2** Insert the drainage hose into the condensation drain **8**.

- 3** Make sure that the hose is attached firmly and ensure an unhindered water drain.  
**Note:** Remove drainage hose and apply rubber plug and screw cap when the condensation drain is not in use.

- 1 Switch on**  
Insert the power supply cord **7** into a suitable wall socket. Press the on/ off button **E** to switch on the dehumidifier.

**Caution!** Do not plug the appliance into a multiple socket with other devices.

- 2 Switch off**  
Press the on/ off button **E** on the control panel **1** to switch off the appliance.  
**Note:** Wait 3 minutes until switching on the appliance again.

- 1 Remove intake grille**  
For cleaning the intake grille **9** (see "Care and Maintenance"), push the two flaps holding it and remove it.

- 2 Install intake grille**  
Push the intake grille **9** gently onto the housing until it clicks into place.

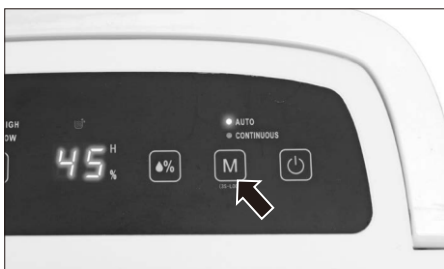
# Using the appliance

**Warning!** Never cover the appliance during operation. This could lead to heat accumulation or fire and damage to your appliance. Make sure no water can drop into the appliance.



## Switch On/Off

Press ON/OFF button (E). The display (H) shows the current humidity level in the room.



## Mode

Press MODE (F) to switch between automatic and continuous dehumidification.



## Setting humidity level

Ensure that the appliance is in Auto mode. Press Humidity setting mode button (G) to set the desired humidity level. The appliance will start to work until the desired level is reached.



## Fan speed

Press Fan speed button (B) to switch between high and low dehumidification.



### Set timer

Ensure that "inside drying" is not activated. To set a particular amount of hours, press **TIMER (D)**. "1" blinks on the display. Set the time you wish the appliance to operate between 1 and 24 hours.



### Inside drying

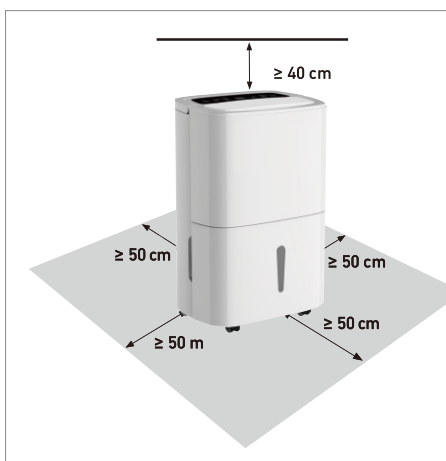
Ensure that the timer is not activated. Press inside drying button **(C)** to dry the inside of the appliance.

To turn off the inside drying function press the drying button **(C)** again. The compressor will stop working and will restart 3 minutes later.



### Empty the container

If the water level control **(A)** lights up and the display shows "FL", the water tank needs to be emptied (see "Empty the water tank")



### Placement guidelines

The dehumidifier should be used in closed rooms for efficient work. When operating the appliance, keep doors, windows and other openings closed.

Make sure to maintain distances of 40 cm upwards and 50 cm side-swards for free air circulation

The dehumidifier can support drying laundry. Make sure to maintain distances of  $\geq 50$  cm on all sides to the wet laundry.

**Do not operate the dehumidifier near dryers, heaters or radiators.**

# Care & Maintenance



**Warning!** Make sure the appliance is switched off and unplugged.

## Cleaning the housing

- Clean the housing regularly with a moist cloth and a mild cleaning detergent.
- Check and clean the grille monthly to avoid performance reduction due to dust and dirt.
- Never use solvents; these could attack the plastic parts of the equipment.
- Ensure that no water can seep into the device.



## Cleaning the filter

- Make sure that no dirt gets into the appliance: Clean the grille regularly with a vacuum cleaner or brush once per month.
- Ensure that the grille is completely dry before inserting it into the dehumidifier.
- **Do not put the grille into the dishwasher.**



## Cleaning the water tank

- Clean the water tank every 2 weeks to avoid deposit of algae, mould or bacteria.
- Gently pull out the water tank from the dehumidifier and fill the tank partly with water and a mild cleaning detergent. Clean, empty and rinse the water tank thoroughly.
- **Do not put the water tank into the dishwasher.**
- **The water tank has to be inserted correctly into the dehumidifier.**

# Water tank



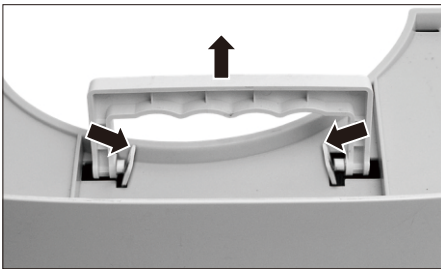
## Empty the water tank

Carefully pull out the water tank **4** to avoid spilling water.

**Caution!** If water appears to be inside the appliance, empty the water tank and let the appliance dry.



Empty and reinstall the water tank **4**. Make sure it is installed properly.



## Clean water tank

To dismount the water tank for cleaning, press the two supports of the handle to release it. Ensure to position the handle correctly, so that it matches the openings in the supports.



Dismount the water tank for cleaning and remount it in the reverse way before reinstalling it to the appliance



# Technical Data

Model	SDZ1-20D
Nominal voltage	220-240 V~
Nominal frequency	50 Hz
Rated power input	420W
Degree of protection	IPX1
Permissible operation pressure (high/ low)	2.8/ 0.8 Mpa
Max. allowable pressure (high/ low)	3.8/ 1.3 Mpa
Weight net/ gross	15 kg/ 16,5 kg
Capacity per day	20 l (30 °C / 80% RH)
Water tank capacity	4 L
Operating temperature	5-32 °C
Refrigerant	R290/52g
Application floor area	20-50 m <sup>2</sup>
Noise	46 dB(A)
Dimension (W x H x D)	343 x 512 x 240 mm

**UK**

If you have any questions, please contact our customer care center.  
Our contact details are below:



0044-800-240-4004



enquiries@mhstar.co.uk

**IMPORTER ADDRESS:**

MH STAR UK LTD  
Unit 27, Perivale Park,  
Horsenden lane South  
Perivale, UB6 7RH  
MADE IN CHINA

# Troubleshooting

<b>Problem</b>	<b>Solution</b>
<b>The appliance doesn't start.</b>	<ul style="list-style-type: none"><li>- Check if the power supply cord is inserted correctly.</li><li>- Environmental temperature is too high or too low.</li><li>- The dehumidifier has reached the preset humidity setting.</li><li>- The water tank is not inserted correctly.</li></ul>
<b>The appliance doesn't dry the air as expected.</b>	<ul style="list-style-type: none"><li>- Time was too short.</li><li>- Make sure the appliance is free from obstacles.</li><li>- The humidity setting isn't set low enough.</li><li>- Check if all windows and other openings are closed.</li><li>- The room temperature is too low (lower than 5 °C).</li><li>- There is an appliance which emits water vapour</li></ul>
<b>Loud sounds from the appliance.</b>	<ul style="list-style-type: none"><li>- The appliance stands tilted and not upright.</li><li>- The floor is not flat.</li><li>- Filter is blocked. Clean filter.</li></ul>
<b>Ice appears on the spoons-</b>	- This is a normal process. The appliance has an automatic defrost.
<b>Water on the floor</b>	<ul style="list-style-type: none"><li>- The hose is loose or leaky.</li><li>- The water tank is in use, but the rubber plug at the rear outlet is removed.</li></ul>

## Error and safety codes

<b>Code</b>	<b>Meaning</b>	<b>Solution</b>
<b>E2</b>	Temperature sensor is defective	Disconnect and connect the power supply cord.
<b>P1</b>	Appliance is defrosting	Code will disappear automatically when the appliance has defrosted
<b>FL</b>	Water tank is full or not inserted correctly	Empty the water tank and insert it correctly into the appliance

## Noise

The values given in these instructions have been measured in accordance with a standardized measurement procedure and can be used to compare appliances. It may be used for a preliminary assessment of exposure.

## Replacement Parts



**Warning!** Replacement parts must conform with the requirements specified by the manufacturer. Therefore use original replacement parts only or spare parts authorised by the manufacturer.

## Storage

Clean the appliance, the water tank and the grilles before covering it with plastic foil.

Store the appliance in a dry and frost-proof place. The appliance shall only be stored in rooms without permanent ignition source.

## Disposal



The **crossed-out wheeled bin logo** requires the separate collection of waste electric and electronic equipment (WEEE). Such equipment may contain dangerous and hazardous substances. These appliances must be returned to a designated collection point for the recycling of WEEE and must not be disposed as unsorted municipal waste. By doing so, you will help to conserve resources and protect the environment. Contact your local authorities for more information.

The dismantling and disposal, especially the disposal of the refrigerant, is to be carried out exclusively by the manufacturer or by similarly qualified persons.

Children must not play with plastic bags and packaging material, due to possible injury or danger of suffocation. Store such material safely or dispose of environmentally friendly.

