

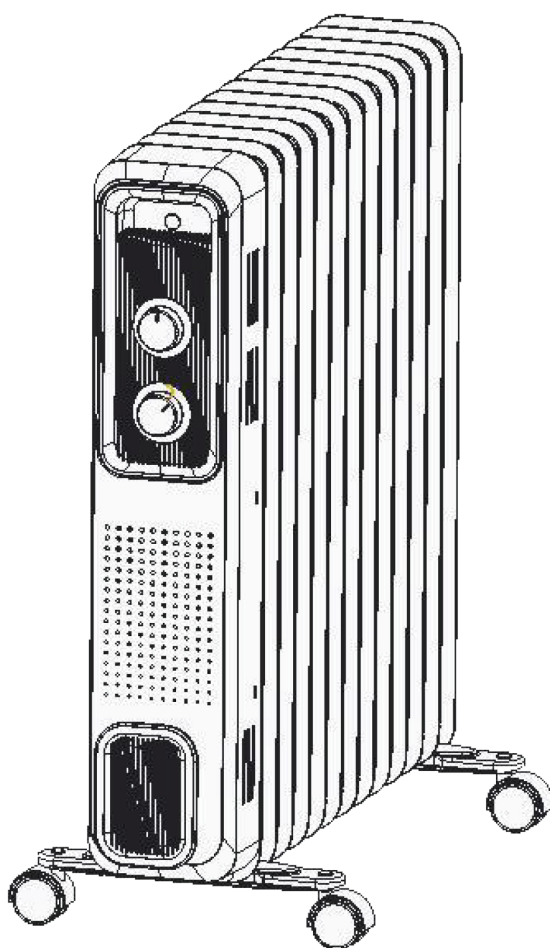


IN230200009V02_UK

820-274_820-269_820-272

820-269V70_820-272V70_820-274V70

Operation Instruction for Oil Filled Radiator



IMPORTANT, RETAIN FOR FUTURE REFERENCE: READ CAREFULLY

USING INSTRUCTION

WARMER INSTRUCTION

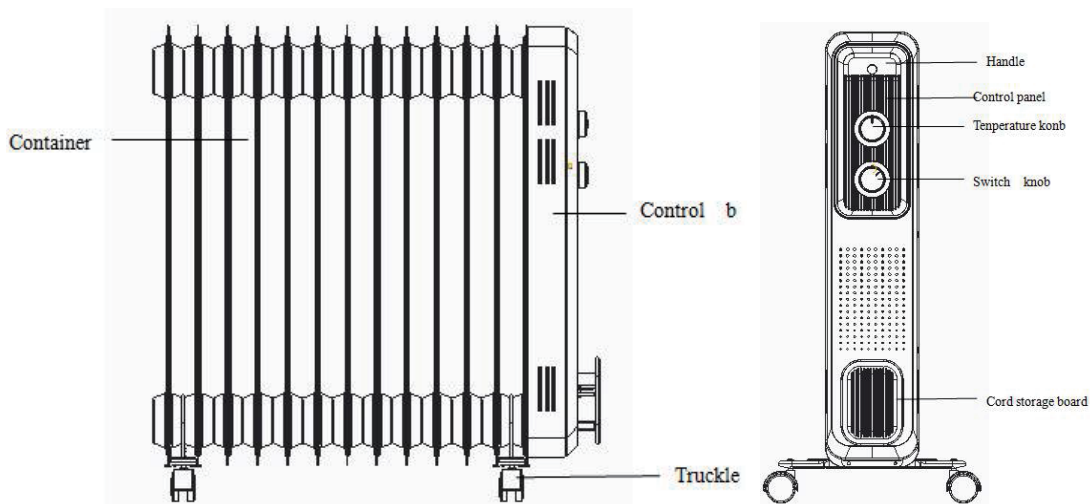
Thank you for choosing our warmer, please read this instruction carefully before operating and keep it for future reference.

I. Product characteristics

◆Our electrothermal warmer operates as follows: tubular element is taken as heat source, efficient and permanent heat conduction oil is taken as the medium, heat eliminates via radiation fin, room temperature is increased via air circulation.

◆Our electrothermal warmer has the following advantages: convenient, safe, beautiful, tranquil operation, without electromagnetic disturbance etc. It is suitable for such locations as scientific research room, hospital, hotel, training practice house, and bedroom, etc. The warmer keeps your room or office more comfortable in cold seasons!

II. Product structure diagram

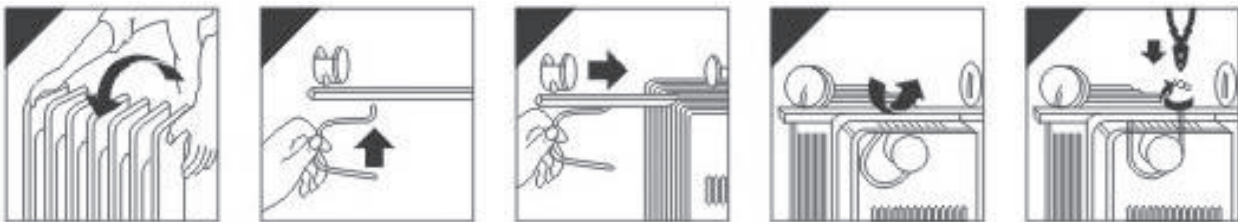


III. Operation instruction

Mounting:

Take out the warmer and all the parts from packing carton.

1. Make the warmer be on its head
2. Place the footplate on the top of both radiation fins
3. Secure the footplate on the warmer with specified U type bolt and wing nut
4. Tighten the screw
5. Make the warmer stand erect



Placing:

The warmer should be away from the wall or other objects such as furniture, curtain at least 90cm; do ensure that the power supply corresponds to that on the nameplate; the temperature controller switch and power switch are at "OFF" position; plug in the attaching plug.

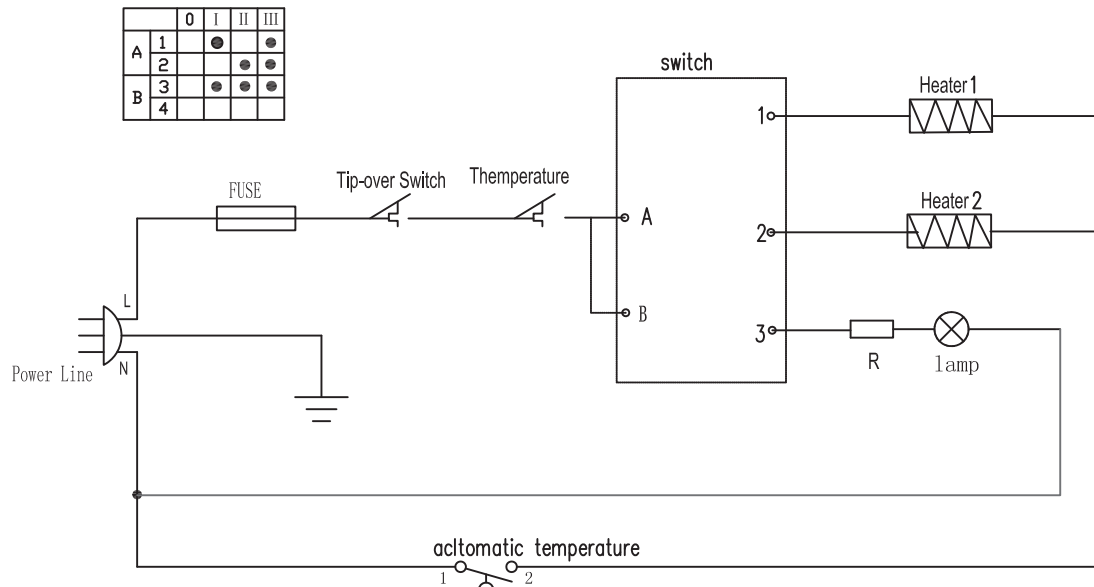
1. The temperature controller can regulate room temperature. Turn the temperature controller clockwise to increase the temperature; turn it anti-clockwise to reduce the temperature until appropriate temperature is reached.

2. Power switch is pressed switch:

a> With power switch I pressed, indicates Level I power.

b> With power switch II pressed, indicates Level II power.

c> With both power switch I and II pressed, indicates Level III power.



3. The case when you will no longer use the oil-heater, press the power button to initialization Position, Turn the temperature Knob into the minimum position and take off the Plug. Note: the warmer operates via heat elimination of heat conduction oil, and the oil cools out slowly after the warmer is turned off, so do not move the warmer unless the oil has cooled out, and move the warmer with the handle.

Cleaning

1. Please disconnect power supply before cleaning.

2. Wipe the outside of the warmer with wet cloth at first, and then dry it with a piece of soft cloth.

Do not use wax or brush polish, since these will react with the warmer, resulting in discoloration.

Safety protection

1. Do not cover the warmer during operating, otherwise it will result in fire.

2. The warmer should be away from the wall or other flammable objects such as furniture, curtain, bed sheet or clothes at least 90cm.

3. Do not disassemble radiation fin.

4. Take care of your children when they are near or use the warmer.

5. Do not let power line contact damp or hot objects; do not wind or let child come near the power line.

6. Do not use the warmer in open air.


7. Do not let the warmer contact hot gasoline or electric burner.

8. Do not use damaged wire or plug; do not use damaged warmer unless it is repaired.

- 9. Do not remove button parts of the warmer.
- 10. This warmer is only suitable for use in the room.
- 11. After dust removal, the oil left on the surface should be removed.

IV.Warning

- 1. If the supply cord is damaged, it must be replaced by the manufacturer or its service agent or a similarly qualified person in order to avoid a hazard.
- 2. The heat must not be located immediately below a socket-outlet.
- 3. Don't use this heater in the immediate surroundings of bath, a shower or a swimming pool.
- 4. This heater is filled with a precise quantity of special oil. Repairs requiring opening of the oil container are only to be made by the manufacturer or his service agent who should be contacted if there id an oil leakage.
- 5. Regulations concerning the disposal of oil when scrapping the appliance have to be followed. Please, don't throw away and be burnt on purpose.
- 6. **WARNING:** In order to avoid overheating do not cover the heater.
- 7. This appliance is not intended for use by persons (including children) with reduced physical, sensory or mental capabilities, or lack of experience and knowledge, unless they have been given supervision or instruction concerning use of the appliance by a person responsible for their safety.
- 8. Children should be supervised to ensure that they do not play with the appliance.
- 9. Do not use two powerful appliances in the same socket.
- 10. The plug needs to be in place.
- 11. Extension cords must not be used for the socket.
- 12. Sockets must comply with BS1363 and withstand a maximum current of more than 13A.

Correct Disposal of this product	
	<p>This marking indicates that this product should not be disposed with other household wastes throughout the EU. To prevent possible harm to the environment or human health from uncontrolled waste disposal, recycle it responsibly to promote the sustainable reuse of material resources. To return your used device, please use the return and collection systems or contact the retailer where the product was purchased. They can take this product for environmental safe recycling.</p>

V. Technical parameters

Type	Number of radiating fins	Rated voltage (V)	Frequency (Hz)	Rated power input (W)	Power in Level I (W)230V	Power in Level II (W)230V	Total input power in Level III (W)230V
HD984-R5Q	5	220-240	50/60	910-1100	400	600	1000
HD984-R7Q	7	220-240	50/60	1370-1630	600	900	1500
HD984-R9Q	9	220-240	50/60	1830-2180	800	1200	2000
HD984L-R11Q	11	220-240	50/60	2000-2400	1000	1200	2200
HD984B-R11Q	11	220-240	50/60	2290-2720	1000	1500	2500
HD984B-R13Q	13	220-240	50/60	2290-2720	1000	1500	2500
HD984B-R15Q	15	220-240	50/60	2560-3050	1200	1600	2800

If you have any questions, please contact our customer care center.

Our contact details are below:



0044-800-240-4004



enquiries@mhstar.co.uk

IMPORTER ADDRESS:
MH STAR UK LTD
Unit 27, Perivale Park,
Horsenden lane South
Perivale, UB6 7RH
MADE IN CHINA

