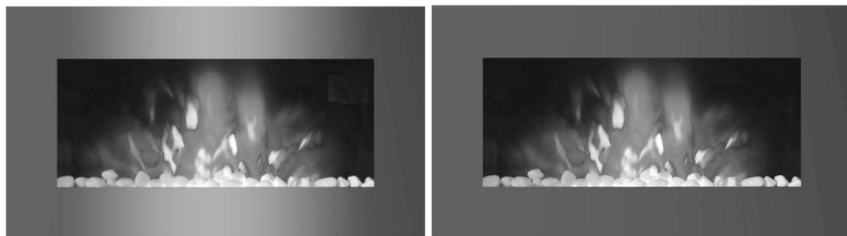




IN221200055V02_UK

**Model:820-013(EF431K-E)_820-014(EF453K-E)_
820-078(EF452K-E)_820-036(EF560K-E)
_820-175(EF851K)_820-181(EF821KB)
820-175V90(EF851K)**



Electric Fireplace

IMPORTANT, RETAIN FOR FUTURE REFERENCE: READ CAREFULLY

INSTALLATION AND USER INSTRUCTION GUIDE

Getting Started

Remove appliance from the box.

Remove any packaging from the product.

Place packaging inside the box and either store or dispose of safely.

In the box

Fire body.

Front panel.

Pebble pack

Concealed fixings pack containing:

Screws and wall plugs

Fixing bracket

Remote control

Instruction manual

Features

Remote control

Dancing flame effect

Detachable front

Heater with two settings

Thermal cutout

Two heat settings

Wall mounted

Safety Instructions

When using electrical appliances, basic safety precautions should always be followed.

- Do not use the appliance until it is securely fixed as described in this manual.
- Check that the voltage indicates on the data plate corresponds with that of the local network before connecting the appliance to the mains power supply.
- From time to time, check the cord for damage. Never use the appliance if the cord or any part of the appliance shows signs of damage.
- If the supply cord is damaged, it must be replaced by a qualified engineer in order to avoid a hazard.
- Keep furniture, curtains and other flammable material at least 1 meter away from the appliance.
- Do not leave the appliance unattended during use.
- Do not leave the appliance unattended whilst connected to the mains supply.
- Keep out of reach of children and do not allow them to operate this appliance.
- This appliance is intended for household use only and should not be used for industrial purposes.
- Do not operate this appliance after a malfunction or after being dropped or damaged in any way.
- Repairs to electrical appliances should only be performed by a qualified electrician.

Improper repairs may place user at serious risk.

- Do not run the mains cable under carpets, rugs, etc.
- Do not allow the mains cable to hang over sharp edges or come in contact with hot surfaces.



- **WARNING:** In order to avoid overheating, do not cover the heater.
- Never immerse the product in water or any other liquid for any reasons.
- Do not use this heater in the immediate surroundings of a bath, a shower or a swimming pool.
- Do not use the appliance outdoors.
- Do not use if you have wet hands.
- Never use the appliance on or near hot surfaces.

- Do not operate with a damaged cord.
- Before cleaning the appliance, make sure it is unplugged from the power and that it is completely cooled.
- Do not clean the appliance with abrasive chemicals.
- Never use accessories that are not recommended or supplied by the manufacturer. It could cause danger to the user or damage to the appliance.
- This appliance is not intended for use by persons (including children) with reduced Physical, sensory or mental capabilities, or lack of experience and knowledge unless they have been given supervision or instruction concerning use of the appliance by a person responsible for their safety.
- Children should be supervised to ensure that they do not play with the appliance.
- Do not lift the appliance by the front panel.
- The heater must not be located immediately below a socket outlet.
- Keep top of heater at least 1000mm away from ceiling or other objects for optimum heat ventilation.
- CAUTION: In order to avoid a hazard due to inadvertent resetting of the thermal cutout, this appliance must not be supplied through an external switching device, such as a timer, or connected to a circuit that is regularly switched on and off by the utility.
- WARNING: This heater is not equipped with a device to control the room temperature. Do not use this heater in small rooms when they are occupied by persons not capable of leaving the room on their own, unless constant supervision is provided.
- Children of less than 3 years should be kept away unless continuously supervised.
- Children aged from 3 years and less than 8 years shall only switch on/off the appliance provided that it has been placed or installed in its intended normal operating position and they have been given supervision or instruction concerning use of the appliance in a safe way and understand the hazards involved. Children aged from 3 years and less than 8 years shall not plug in, regulate and clean the appliance or perform user maintenance.
- CAUTION- Some parts of this product can become very hot and cause burns. Particular attention has to be given where children and vulnerable people are present.
- This appliance can be used by children aged from 8 years and above and persons with reduced physical, sensory or mental capabilities or lack of experience and knowledge if they have been given supervision or instruction concerning use of the appliance in a safe way and understand the hazards involved.
- Cleaning and user maintenance shall not be made by children without supervision.

A. Do not use two high-power appliances in the same socket.

B. The plug needs to be plugged in fully.

C. Product socket cannot use extension cord.

The socket need to be conformed to BS1363, The maximum withstand current value needs to be greater than 13A (Only for UK market).

Helpful Advice Before Fitting

Please retain all packaging until you have checked and counted all the parts and the contents of the fixing pack against the parts list.

The fixing pack contains small items, which should be kept away from young children.

We suggest that you open the fixing pack and place all the contents into a container, therefore reducing the risk of losing any small pieces.

Installation

Do not connect the heater until properly fixed to the wall and the instructions is read fully.

The minimum distances must be observed.

For installation of the heater, care must be taken not to damage concealed cables.

Please be careful while drilling the holes.

This appliance is designed to be permanently fixed to a wall at a minimum height of 300mm. The wall bracket must be fitted horizontally and the cable routed to the bottom right of the heater.

A height of 600mm from bottom of heater to floor is recommended for optimum viewing of fuel bed (see Fig.2 for recommend fixing dimensions).

Keep top of heater at least 1000mm away from ceiling or other objects for optimum heat ventilation.

For optimum viewing, mark the top five screws fixing positions on wall in accordance with the recommend fixing dimensions- see Fig.2. Drill holes with a six drill bit.

Fix the wall bracket using that the plug and screws provided .

Carefully lift the heater up ensuring that the two top rear slots of heater engages the wall bracket (see Fig.3) and is sitting centrally.

Gently bring the heater level with the wall.

Mark the two bottom holes position-see Fig.5, remove the heater ensuring that the bottom fixing bracket is rotated up.

Drill and fit wall plug.

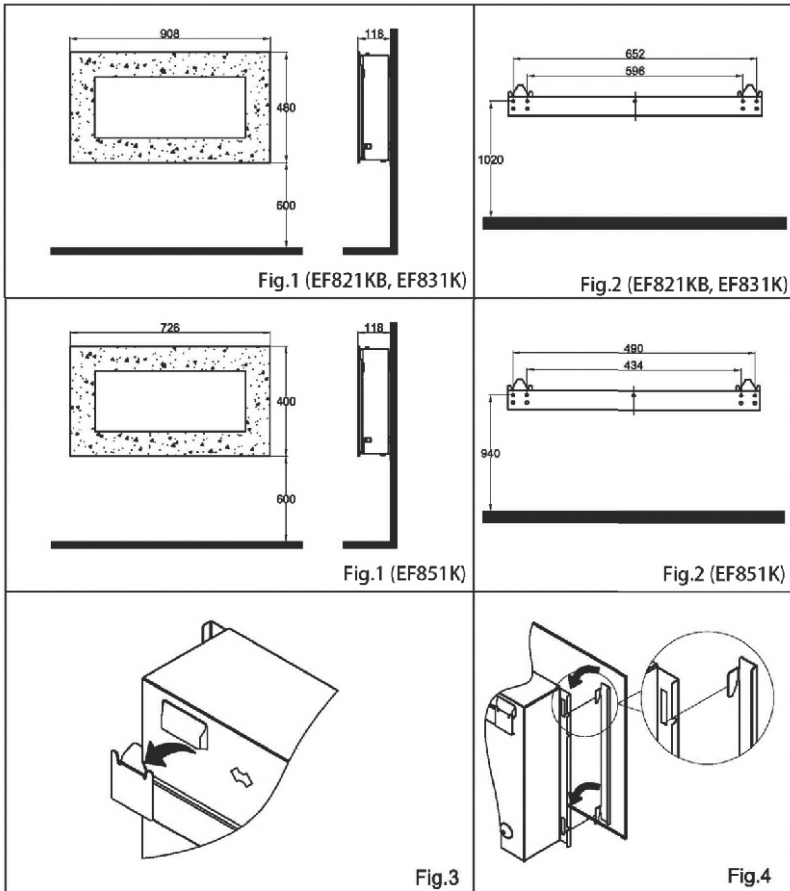
Refit the heater to the wall fixing bracket and rotate the bottom fixing bracket down again and use the screw provided to permanently fix the heater in place.

Unpack the pebbles from the bag and place them along the light unit in the desired position.

Place the front glass panel over the front of the heater aligning the hooks at each side of the glass panel with the slots at each side of the heater body-See Fig.4. Then slide down the glass panel in place. Again two people will be required for this operation.

Insert and tighten the front glass panel screw-See Fig.6 to secure the front glass panel to the heater. (Only for EF821KB,EF831K, EF851K)

EF821KB,EF831K, EF851K:



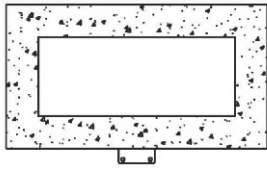


Fig.5

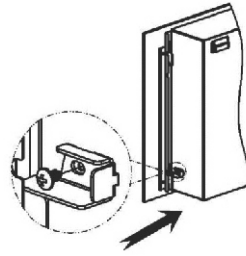


Fig.6 (EF821KB, EF851K)

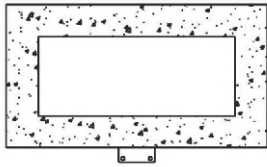


Fig.5

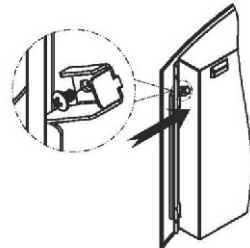
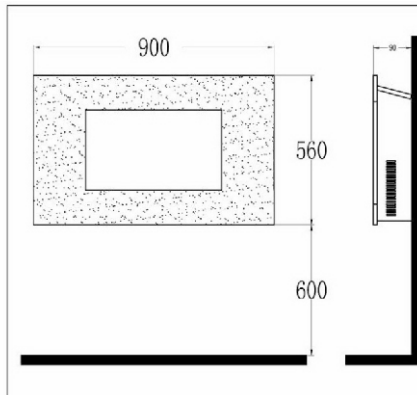
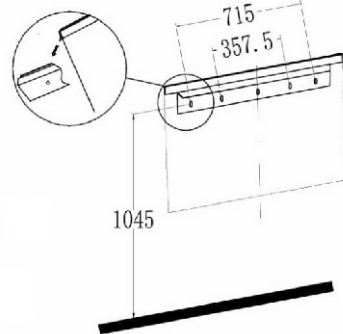


Fig.6 (EF831K)

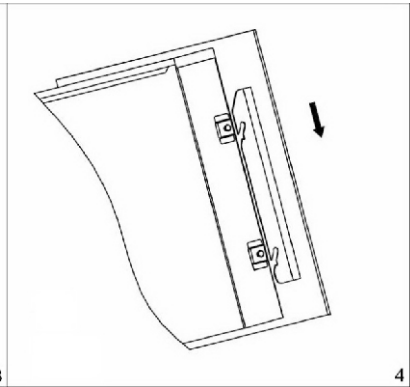
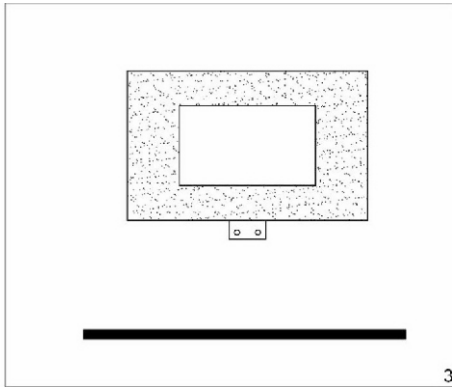
EF431K-E:



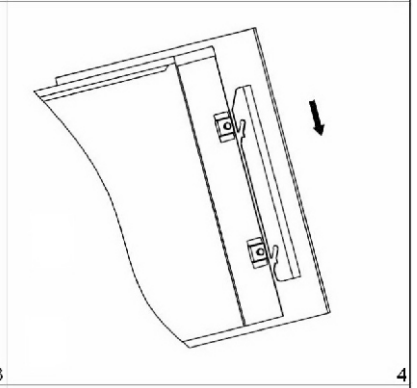
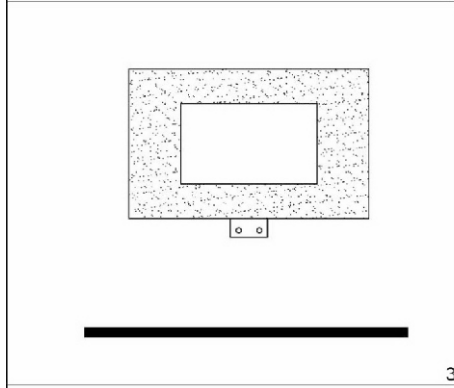
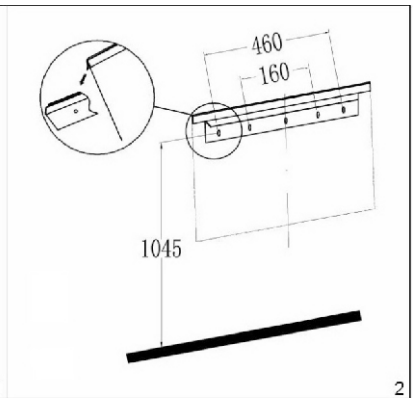
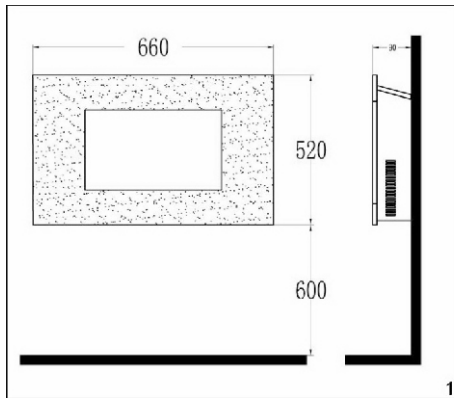
1



2



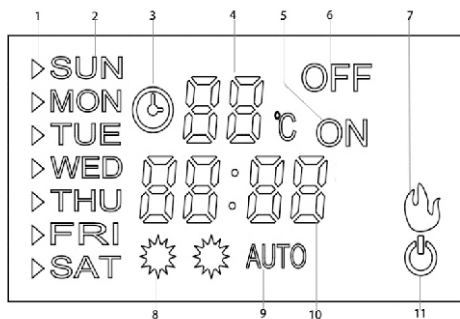
EF560K-E, EF452K-E, EF453K-E



Instructions for Use

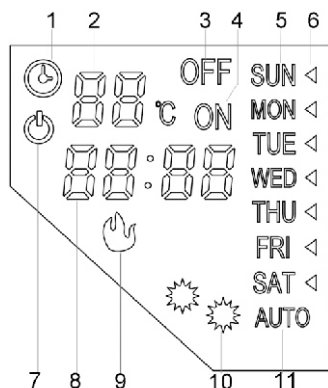
The appliance can be operated either by the switches located on the top right hand side of the fire or by the supplied remote control.

EF831K/EF821KB:



1	Cursor	2	Day time	3	Timer
4	Temperature/serial number display	5	Timer on	6	Timer off
7	Colour flame	8	Heating position	9	Automatic control of heating
10	Time/Temperature display	11	Standby		

EF851K:



1	Timer	2	Temperature/serial number display	3	Timer off
4	Timer on	5	Day time	6	Cursor
7	Standby	8	Time/Temperature display	9	Colour flame
10	Heating position	11	Automatic control of heating		

Temperature and serial number display: Normally it displays the room temperature; while setting the temperature, the setting temperature is displayed; When setting the timer, serial number is displayed.

Time/ Temperature display: Normally it displays the current time; while setting the timer, the setting time is displayed. When setting the temperature of the week timer, the setting temperature is displayed.

Time on and time off: It is displayed while setting the timer, and it is used in combination with serial number setting.

Colour flame: It displays the colour of the flame, which have 7 colour available.

Manual Operation

This is done by operating the switches located at the top right hand side of the fire .The standby rocker switch must first be switched on, the fire will beep to indicate that it is powered up.

Press the **O/I** button once to turn on the appliance and fire effect. A red indicator light will show to indicate that the fire is **ON**. Press the **O/I** button for 3 seconds this will operate the colour flame mode, hold the button down until the desired colour flame is obtained, and there will be 7 colour available.

EF831K-E,EF851K,EF431K-E: Press the 1000W button once for the low heat setting; press twice to switch off the heat setting. Press the 2000W button once for the high heat setting; press twice to switch off the heat setting.

EF821KB-E: Press the POWER button once for the low heat setting 1000W; press twice for the high heat setting 2000W; press three to switch off the heat setting.

EF560K-E, EF452K-E,EF453K-E: Press the 900W button once for the low heat setting; press twice to switch off the heat setting. Press the 1800W button once for the high heat setting; press twice to switch off the heat setting.

Remote Operation

The standby rocker switch located at the top right hand side of the fire must first be switched on; the fire will beep to indicate that it is powered up.

It takes a little time for the receiver to respond to the transmitter. Do not press the buttons more than once within two seconds for the fire to operate normally.

1. Boot steps

EF831K-E,EF851K,EF431K-E:

- 1) Connect the power
- 2) Turn on the power switch
- 3) Press the "ON/OFF" key of the remote controller to start up
- 4) Press the 1000W button for the 1000W heat settings; press twice to switch off the heat setting.
- 5) Press the 2000W button for the 2000W heat settings; press twice to switch off the heat setting.
- 6) Press the COLOUR button for operate the colour mode, 7 colour available.

EF821KB-E:

- 1) Connect the power
- 2) Turn on the power switch
- 3) Press the "ON/OFF" key of the remote controller to start up
- 4) Press the 1000W/2000W button once for the low heat setting 1000W; press twice for the high heat setting 2000W; press three to switch off the heat setting.
- 5) Press the BACK LIGHT button to adjust the colors of LED decoration, 7 colors available.
- 6) Press the COLOUR button for operate the colour mode, 7 colour available.

EF560K-E, EF452K-E,EF453K-E:

- 1) Connect the power
- 2) Turn on the power switch

- 3) Press the **"ON/OFF"** key of the remote controller to start up
- 4) Press the 900W button for the low heat settings; press twice to switch off the heat setting.
- 5) Press the 1800W button for the high heat settings; press twice to switch off the heat setting.
- 6) Press the COLOUR button for operate the colour mode, 7 colour available.

2. Automatic heating

Press "IC" button on the remote controller to start or exit the automatic heating.

When turned on, the fireplace can automatically change the heating mode depending on the set temperature and the room temperature.

During a timed starting process, it is possible to start heating ahead of schedule.

3. Setting the day and time

- 1) Settings are done on the remote controller
- 2) Press "DATE TIME" button, then press the "▲" or "▼" key to select the day
- 3) Press "DATE TIME" button again, then press the "+" or "-" to set the hour
- 4) Press "DATE TIME" button again, then press the "+" or "-" to set the minute
- 5) Press "OK" button to complete

4. Temperature setting

The default set temperature is 20 °C, press "+" or "-" on the remote controller to set the temperature, which ranges from 15 to 30°C. And this setting is only for the temperature in the normally mode, not for the temperature in the timer mode.

NOTE: The set temperature must be higher than the room temperature for the heat working.

5. Timer setting

1)Description of timer setting

There are up to 10 items for timer setting

Each setting item has its date, power-on time and shutdown time

The max. duration of each setting item is 23 hours 50 minutes

The setting date for each item can be any day or days of a week

The date in each setting item represents the date of power-on time

If the shutdown time of the setting falls on the second day, it is unnecessary to set the date – you just set the shutdown time

2)Steps to view the timer setting

Press the "TIMER SET" button

Press the "+" or "-" to check the power-on time of the timer one by one.

For checking the shutdown time, press the "▲" button

Press the "+" or "-" to continue viewing

For deleting the current item of setting, press "C" to delete

3) Steps for timer setting

(I) Select the settings of the serial number

Press the "TIMER SET" button, and the serial number starts blinking

Press the "+" or "-" to change the serial number until you get the serial number that you need to set or modify.

(II) Select date

Press "TIMER SET" button once again, and the cursor on the left side of day starts blinking.

Press the "▲" or "▼" keys to move the cursor to the corresponding day, press the "+" to add the corresponding day, or press "-" to delete the day until you have completed the selection of all dates.

(III) Set the start time

Continue to press the "TIMER SET" button, the hour starts blinking

Press the "+" or "-" to adjust the hour

Continue to press the "TIMER SET" button, the minute starts blinking

Press the "+" or "-" to adjust minute

(IV) Set the shutdown time

Then press the "TIMER SET" button, the display is off, and the hour starts blinking

Press the "+" or "-" to adjust the hour.

Continue to press the "TIMER SET" button, the minute starts blinking

Press the "+" or "-" to adjust minute

(V) Set temperature

Then press the "TIMER SET" button, and the temperature set starts blinking. At this moment, the temperature displayed is normally set temperature, which can be adjusted by pressing "+" or "-"

(VI) Press "TIMER SET" button to continue setting, and press "OK" complete the setting

6. Timer switch

"TIMER ON/OFF" is to control the timed opening and closing

Restart the machine after power is cut off, the last timer setting is kept, but the current date and time must be reset

NOTE 1: When the week timer is power on, you should turn on the heating function, or else when the machine is working again, there will be only the flame effect working.

NOTE 2: Repeat the same procedures to set more timing cycles if required after the 01 timing cycle is finished.

NOTE 3: When the week timer setting is finished, "TIMER ON/OFF" function can be effective.

Safety Cut-Off

This appliance is fitted with a safety cut-off which will operate if the fire overheats (e.g. due to blocked air vents). For safety reasons, the fire will NOT automatically reset.

To reset the appliance, disconnect the appliance from the mains supply for at least 15 minutes. Reconnect to the mains supply and switch on the appliance.

Troubleshooting

Symptom	Solution
No operation/ no fan.	Check if put the electric plug into the socket. Check for safety cut-off operation.
No fire effect light.	Check the LED system by qualified electrician

Cleaning and Maintenance

Warning- Always disconnect from the mains supply before cleaning heater.

For general cleaning use a soft clean duster - never use harsh abrasive or cleaners.

The glass viewing screen should be cleaned carefully with a soft cloth. DO NOT use proprietary glass cleaners.

This product does not use a standard bulb for its flame effect. The appliance uses an electronically controlled LED system to create the effect, therefore no parts need to be replaced. There are no user-serviceable parts on this appliance. Under no circumstances should the appliance be serviced by anyone other than a qualified electrician.

Disposal

At the end of the product's serviceable life it should be disposed of thoughtfully and safely in accordance with local authority regulations. The plug should be Removed from the power supply cord and the power cord cut from the heater

Technical Specification

EF831K-E,EF851K,EF431K-E:

Supply: 220-240V~ 50Hz

Rated power: 2000W

Lighting: LED bulbs (no replaceable parts)

EF560K-E, EF452K-E,EF453K-E:

Supply: 220-240V~ 50Hz

Rated power: 1800W

Lighting: LED bulbs (no replaceable parts)



Meaning of crossed –out wheeled dustbin:

Do not dispose of electrical appliances as unsorted municipal waste, use separate collection facilities.

Contact you local government for information regarding the collection systems available.

If electrical appliances are disposed of in landfills or dumps, hazardous substances can leak into the groundwater and get into the food chain, damaging your health and well-being.

If you have any questions, please contact our customer care center.

Our contact details are below:



0044-800-240-4004



enquiries@mhstar.co.uk

IMPORTER ADDRESS:

MH STAR UK LTD

Unit 27, Perivale Park,

Horsenden lane South

Perivale, UB6 7RH

MADE IN CHINA

Table for information requirements for electric local space heaters

Model identifier(s):EF431K-E_EF851K_EF821KB					
Item	Symbol	Value	Unit	Item	Unit
Heat output			Type of heat input, for electric storage local space heaters only (select one)		
Nominal heat output	P_{nom}	2.0	kW	Manual heat charge control with integrated thermostat	[Not applicable]
Minimum heat output (indicative)	P_{min}	1.0	kW	Manual heat charge control with room and/or outdoor temperature feedback	[Not applicable]
Maximum continuous heat output	P_{max}	2.0	kW	Electronic heat charge control with room and/or outdoor temperature feedback	[Not applicable]
Auxiliary electricity consumption			Fan assisted heat output		[Not applicable]
At nominal heat output	el_{max}	0.014(fan motor)	kW	Type of heat output/room temperature control (select one)	
At minimum heat output	el_{min}	0.014(fan motor)	kW	Single stage heat output and no room temperature control	[no]
In standby mode	el_{SB}	0.48	W	Two or more manual stages, no room temperature control	[no]
				With mechanic thermostat room temperature control	[no]
				With electronic room temperature control	[no]
				Electronic room temperature control plus day timer	[no]
				Electronic room temperature control plus week timer	[yes]
				Other control options (multiple selections possible)	
				Room temperature control, with presence detection	[no]
				Room temperature control, with open window detection	[no]
				With distance control option	[no]
				With adaptive start control	[yes]
				With working time limitation	[no]
				With black bulb sensor	[no]
Contact details:	IMPORTER ADDRESS: MH STAR UK LTD Unit 27, Perivale Park, Horsenden lane South Perivale, UB6 7RH MADE IN CHINA				

Table for information requirements for electric local space heaters

Model identifier(s):EF453K-E_EF452K-E_EF560K-E					
Item	Symbol	Value	Unit	Item	Unit
Heat output			Type of heat input, for electric storage local space heaters only (select one)		
Nominal heat output	P_{nom}	1.8	kW	Manual heat charge control with integrated thermostat	[Not applicable]
Minimum heat output (indicative)	P_{min}	0.9	kW	Manual heat charge control with room and/or outdoor temperature feedback	[Not applicable]
Maximum continuous heat output	P_{max}	1.8	kW	Electronic heat charge control with room and/or outdoor temperature feedback	[Not applicable]
Auxiliary electricity consumption			Fan assisted heat output		[Not applicable]
At nominal heat output	el_{max}	0.014(fan motor)	kW	Type of heat output/room temperature control (select one)	
At minimum heat output	el_{min}	0.014(fan motor)	kW	Single stage heat output and no room temperature control	[no]
In standby mode	el_{SB}	0.48	W	Two or more manual stages, no room temperature control	[no]
				With mechanic thermostat room temperature control	[no]
				With electronic room temperature control	[no]
				Electronic room temperature control plus day timer	[no]
				Electronic room temperature control plus week timer	[yes]
				Other control options (multiple selections possible)	
				Room temperature control, with presence detection	[no]
				Room temperature control, with open window detection	[no]
				With distance control option	[no]
				With adaptive start control	[yes]
				With working time limitation	[no]
				With black bulb sensor	[no]
Contact details:	IMPORTER ADDRESS: MH STAR UK LTD Unit 27, Perivale Park, Horsenden lane South Perivale, UB6 7RH MADE IN CHINA				



Aosom