



IN221200200V02_UK

820-044



Electric Fireplace



IMPORTANT, RETAIN FOR FUTURE REFERENCE: READ CAREFULLY

ASSEMBLY & INSTRUCTION MANUAL

Important Safety Instructions

Please read the instructions below carefully before installation or use of your Electric Heater, and retain for future reference. Before connecting the heater to the power, please remove the two pieces of foam from the rear. You can choose to use the rear surround or not, but please do not pull or carry the heater by any edge to avoid potential injury.

- Please read all instructions carefully before using this product.
- Make sure that the voltage rating label on the type plate corresponds to your main voltage. If not see your retailer and do not connect the appliance.
- Never use the appliance unsupervised when in use.
- If you have to leave even for a short moment please stop the appliance.
- Keep out of reach of children and do not allow them to operate this appliance
- Only use the appliance for domestic purposes and in the way indicated in these instructions.
- From time to time check the cord for damages. Never use the appliance if the cord or any part of the appliance shows any signs of damage.
- If the supply cord is damaged, it must be replaced by the manufacturer, its service agent or similarly qualified persons in order to avoid a hazard.
- Make sure the connection cord does not touch any hot surfaces.



- **WARNING:** In order to avoid overheating, do not cover the heater.
- Keep the appliance at least 15cm (6inches) from walls and any other thing, to permit a good air circulation.
- Do not use the appliance outdoors
- Do not use if you have wet hands.
- Never use the appliance on or near hot surfaces.
- Never move the appliance by pulling the cord.
- Before cleaning the appliance, make sure it is unplugged from the power and that it is completely cooled.
- Do not clean the appliance with abrasive chemicals.
- Never use accessories that are not recommended or supplied by the manufacturer. It could cause danger to the user or damage to the appliance
- Never route the mains cable beneath carpet.
- Never use the heater to dry clothes or any other similar items.
- The heater must not be located immediately below a socket outlet.
- This heater must not be used with an extension lead.
- Do not use this heater with a programmer, timer or any other device that switches the heater on automatically, since a fire risk exists if the heater is covered or positioned incorrectly.
- Do not use this heater in the immediate surroundings of a bath, a shower or a swimming pool.
- **CAUTION:** In order to avoid a hazard due to inadvertent resetting of the thermal cutout, this appliance must not be supplied through an external switching device, such as a timer, or connected to a circuit that is regularly switched on and off by the utility.
- This appliance can be used by children aged from 8 years and above and persons with reduced physical, sensory or mental capabilities or lack of experience and knowledge if they have been given supervision or instruction concerning use of the appliance in a safe way and understand the hazards involved. Children shall not play with the appliance. Cleaning and user maintenance shall not be made by children without supervision.
- Children of less than 3 years should be kept away unless continuously supervised.
- Children aged from 3 years and less than 8 years shall only switch on/off the appliance provided that it has been placed or installed in its intended normal operating position and they have been given supervision or instruction concerning use of the appliance in a safe

way and understand the hazards involved. Children aged from 3 years and less than 8 years shall not plug in, regulate and clean the appliance or perform user maintenance.

- **CAUTION** — Some parts of this product can become very hot and cause burns. Particular attention has to be given where children and vulnerable people are present.
- **WARNING:** This heater is not equipped with a device to control the room temperature. Do not use this heater in small rooms when they are occupied by persons not capable of leaving the room on their own, unless constant supervision is provided.

A. Do not use two high-power appliances in the same socket.

B. The plug needs to be plugged in fully.

C. Product socket cannot use extension cord.

The socket need to be conformed to BS1363, The maximum withstand current value needs to be greater than 13A (Only for UK market).

Product Checklist

1 piece: Electric heater

1 piece: FENCE

1 piece: Coal pack

1 piece: Instruction manual

1 piece: Remote control

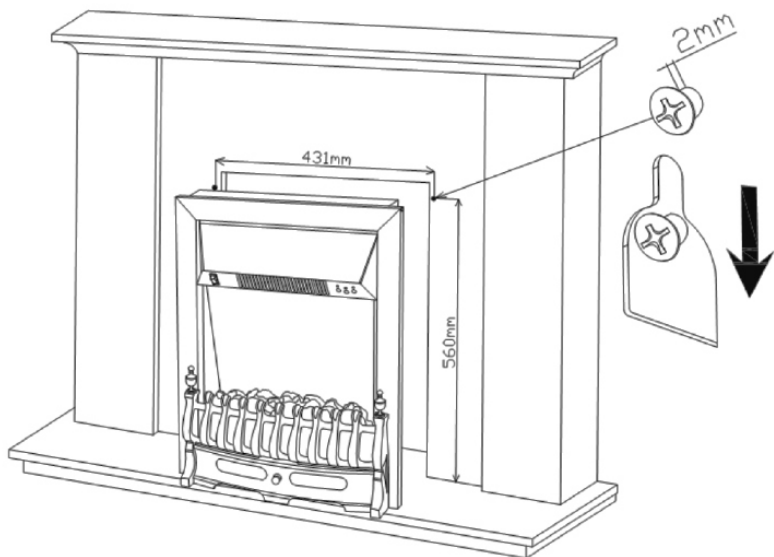
2 pieces: Screws and wall plugs

Installation

- The Electric heater is supplied with approximately 1.7 meters of flexible mains cable (1mm²). The appliance and surround should be located close to a suitable mains socket and **MUST** be easily accessible to allow proper connection.
- This appliance must not be directly installed on a carpet or similar material. We recommend that it is fitted onto a hearth or similar non-combustible material.
- This heater **MUST** be earthed. If in any doubt consult the manufacturer, its service center or a qualified person.
- The heater shall be installed into a location that has an opening size with minimum below dimensions:
Width: Minimum 39 cm (15 1/2")
Height: Minimum 55.5 cm (21 3/4")
Depth: Minimum 11 cm (4 1/4")
Installation requires 4 screws (not included, Ø4mm x 20mm).

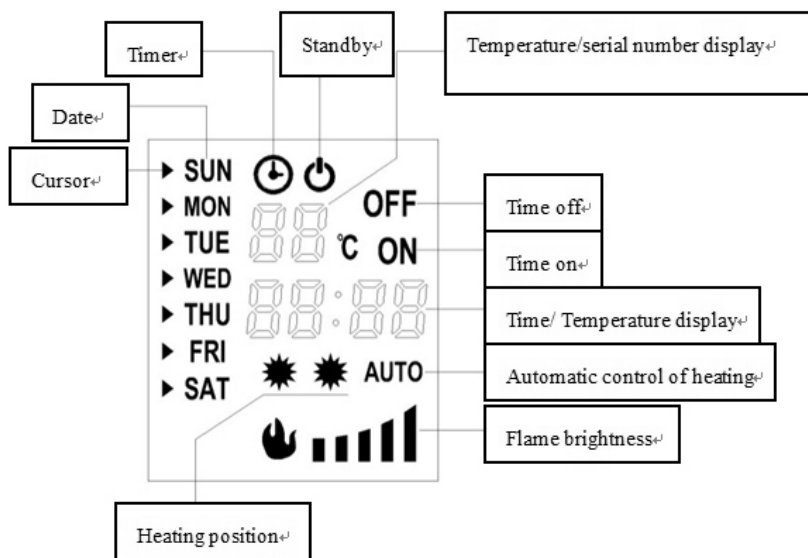
The installation is as follow(The mantle is not supplied):

- Ensure the appliance is disconnected from supply socket.
- Mark the center of your opening of fireplace, measure 215.5mm to the left and then again to the right. From there measure from the floor 560mm up the wall. This will be the centre of the screw.
- Once you have fitted the two screws in place (leave a 2mm gap), offer the fire up to the hearth and lift the fire onto the two fixing screws.



Instructions for Use

The appliance can be operated either by the switches located on the front right hand side of the fire or by the supplied remote control.



Temperature and serial number display: Normally it displays the room temperature; while setting the temperature, the setting temperature is displayed; When setting the timer, serial number is displayed.

Time/ Temperature display: Normally it displays the current time; while setting the timer, the setting time is displayed. When setting the temperature of the week timer, the setting temperature is displayed.

Time on and time off: It is displayed while setting the timer, and it is used in combination with serial number setting.

Flame brightness: It displays the current brightness of the flame, which ranges from one to five positions.

Manual Operation

This is done by operating the switches located at the front right hand side of the fire .The standby rocker switch must first be switched on, the fire will beep to indicate that it is powered up.

Press the "I/O" button once to turn on the appliance and fire effect. A red indicator light will show to indicate that the fire is ON. Press the "I/O" button for 3 seconds, this will operate the dimmer mode, hold the button down until the desired brightness is obtained.

Press the 1000W button once for the low heat setting; press twice to switch off the heat setting.

Press the 2000W button once for the high heat setting; press twice to switch off the heat setting.

Remote Operation

The standby switch at the left hand side of the fire canopy must be first switch on, the fire will beep to indicate that it is powered up.

It takes a little time for the receiver to respond to the transmitter.

Do not press the buttons more than once within two seconds for the fire to operate normally.

1. Boot steps

- 1) Connect the power
- 2) Turn on the power switch
- 3) Press the "ON/OFF" key of the remote controller to start up
- 4) Press the 1000W button for the 1000W heat settings; press twice to switch off the heat setting.
- 5) Press the 2000W button for the 2000W heat settings; press twice to switch off the heat setting.
- 6) Press the **DIMMER** button for operate the dimmer mode.

2. Automatic heating

Press "IC" button on the remote controller to start or exit the automatic heating.

When turned on, the fireplace can automatically change the heating mode depending on the set temperature and the room temperature.

During a timed starting process, it is possible to start heating ahead of schedule.

3. Setting the day and time

- 1) Settings are done on the remote controller
- 2) Press "DATE TIME" button, then press the "▲" or "▼" key to select the day
- 3) Press "DATE TIME" button again, then press the "+" or "-" to set the hour
- 4) Press "DATE TIME" button again, then press the "+" or "-" to set the minute
- 5) Press "OK" button to complete

4. Temperature setting

The default set temperature is 20°C, press "+" or "-" on the remote controller to set the temperature, which ranges from 15 to 30°C. And this setting is only for the temperature in the normally mode, not for the temperature in the timer mode.

NOTE: The set temperature must be higher than the room temperature for the heat working.

5. Timer setting

1) Description of timer setting

There are up to 10 items for timer setting Each setting item has its date, power-on time and shutdown time The max. duration of each setting item is 23 hours 50 minutes The setting date for each item can be any day or days of a week The date in each setting item represents the date of power-on time If the shutdown time of the setting falls on the second day, it is unnecessary to set the date – you just set the shutdown time

2) Steps to view the timer setting

Press the "TIMER SET" button Press the "+" or "-" to check the power-on time of the timer one by one. For checking the shutdown time, press the "▲" button Press the "+" or "-" to continue viewing For deleting the current item of setting, press "C" to delete

3) Steps for timer setting

(I) Select the settings of the serial number

Press the "TIMER SET" button, and the serial number starts blinking Press the "+" or "-" to change the serial number until you get the serial number that you need to set or modify.

(II) Select date

Press "TIMER SET" button once again, and the cursor on the left side of day starts blinking Press the "▲" or "▼" keys to move the cursor to the corresponding day, press the "+" to add the corresponding day, or press "-" to delete the day until you have completed the selection of all dates

(III) Set the start time

Continue to press the "TIMER SET" button, the hour starts blinking Press the "+" or "-" to adjust the hour Continue to press the "TIMER SET" button, the minute starts blinking Press the "+" or "-" to adjust minute

(IV) Set the shutdown time

Then press the "TIMER SET" button, the display is off, and the hour starts blinking Press the "+" or "-" to adjust the hour. Continue to press the "TIMER SET" button, the minute starts blinking Press the "+" or "-" to adjust minute.

(V) Set temperature

Then press the "TIMER SET" button, and the temperature set starts blinking. At this moment, the temperature displayed is normally set temperature, which can be adjusted by pressing "+" or "-"

(VI) Press "TIMER SET" button to continue setting, and press "OK" complete the setting.

6. Timer switch

"TIMER ON/OFF" is to control the timed opening and closing.

Restart the machine after power is cut off, the original setting is kept, but the current date and time must be reset.

NOTE 1: When the week timer is power on, you should turn on the heating function, or else when the machine is working again, there will be only the flame effect working.

Safety Cut-Off

This appliance is fitted with a safety cut-off which will operate if the fire overheats (e.g. due to blocked air vents). For safety reasons, the fire will NOT automatically reset.

To reset the appliance, disconnect the appliance from the mains supply for at least 15 minutes. Reconnect to the mains supply and switch on the appliance.

Troubleshooting

Symptom	Solution
No operation/ no fan.	Check if put the electric plug into the socket. Check for safety cut-off operation.
No fire effect light.	Check the LED system by qualified electrician

Cleaning and Maintenance

Warning- Always disconnect from the mains supply before cleaning heater.

For general cleaning use a soft clean duster - never use harsh abrasive or cleaners. The glass viewing screen should be cleaned carefully with a soft cloth. DO NOT use proprietary glass cleaners.

This product does not use a standard bulb for its flame effect. The appliance uses an electronically controlled LED system to create the effect, therefore no parts need to be replaced. There are no user-serviceable parts on this appliance. Under no circumstances should the appliance be serviced by anyone other than a qualified electrician.

Disposal

At the end of the product's serviceable life it should be disposed of thoughtfully and safely in accordance with local authority regulations. The plug should be removed from the power supply cord and the power cord cut from the heater.

Technical Specification

Supply: 220-240V~ 50Hz

Rated power: 1800- 2000W

Illumination: LED system (no replaceable parts)

Meaning of crossed –out wheeled dustbin:

Do not dispose of electrical appliances as unsorted municipal waste, use separate collection facilities.

Contact your local government for information regarding the collection systems available.

If electrical appliances are disposed of in landfills or dumps, hazardous substances can leak into the groundwater and get into the food chain, damaging your health and well-being.



If you have any questions, please contact our customer care center.

Our contact details are below:



0044-800-240-4004



enquiries@mhstar.co.uk

IMPORTER ADDRESS:

MH STAR UK LTD

Unit 27, Perivale Park,

Horsenden lane South

Perivale, UB6 7RH

MADE IN CHINA

Table for information requirements for electric local space heaters

Model identifier(s):820-044(NDY-19CRI-E)					
Item	Symbol	Value	Unit	Item	Unit
Heat output				Type of heat input, for electric storage local space heaters only (select one)	
Nominal heat output	P_{nom}	1.9	kW	Manual heat charge control with integrated thermostat	[Not applicable]
Minimum heat output (indicative)	P_{min}	0.95	kW	Manual heat charge control with room and/or outdoor temperature feedback	[Not applicable]
Maximum continuous heat output	P_{max}	1.9	kW	Electronic heat charge control with room and/or outdoor temperature feedback	[Not applicable]
Auxiliary electricity consumption				Fan assisted heat output	[Not applicable]
At nominal heat output	eI_{max}	0.014	kW	Type of heat output/room temperature control (select one)	
At minimum heat output	eI_{min}	0.014	kW	Single stage heat output and no room temperature control	[no]
In standby mode	eI_{SB}	0.48	W	Two or more manual stages, no room temperature control	[no]
				With mechanic thermostat room temperature control	[no]
				With electronic room temperature control	[no]
				Electronic room temperature control plus day timer	[no]
				Electronic room temperature control plus week timer	[yes]
				Other control options (multiple selections possible)	
				Room temperature control, with presence detection	[no]
				Room temperature control, with open window detection	[no]
				With distance control option	[no]
				With adaptive start control	[yes]
				With working time limitation	[no]
				With black bulb sensor	[no]
Contact details:	IMPORTER ADDRESS: MH STAR UK LTD Unit 27, Perivale Park, Horsenden lane South Perivale, UB6 7RH MADE IN CHINA				

Remark:

For electric local space heaters, the measured seasonal space heating energy efficiency η_s cannot be worse than the declared value at the nominal heat output of the unit.

The image shows a logo for the brand 'Aosom'. The logo consists of the word 'Aosom' in a clean, sans-serif font. The letters are black and centered horizontally. The background is white, with a black curved shape at the top right corner of the page.